

newair[®]

AF-520B

18" Outdoor Misting Fan



OWNERS MANUAL

Read and save these instructions.



Manual v1.1

A Name You Can Trust

Trust should be earned and we will earn yours. Customer happiness is the focus of our business.

From the factory to the warehouse, from the sales floor to your home, the whole NewAir family promises to provide you with innovative products, exceptional service, and support when you need it the most.

Count on NewAir.

As a proud NewAir owner, welcome to our family. There are no robots here, real people shipped your product and real people are here to help you.

Contact Us:

For questions regarding your product, please contact us at:

Call: 1-855-963-9247
Email: support@newair.com
Online: www.newair.com

Connect with Us:



Facebook.com/newairusa



Instagram.com/newairusa



YouTube.com/newairusa



Twitter.com/newairusa

READ AND SAVE THESE INSTRUCTIONS.

TABLE OF CONTENTS

Register Your Product Online.....	4
Safety Information & Warnings	5
Parts List.....	6
Assembly Instructions.....	7
Fan Base Assembly – Fig. 1	7
Fan Head Assembly – Fig. 2 & 3	7
Final Assembly – Fig. 4	8
Operating Instructions	9
Fan-Only Operation.....	9
Misting	10
Cleaning & Maintenance.....	10
Misting Nozzel Maintenance	11
Storage.....	11
Troubleshooting.....	11
Limited Manufacturer’s Warranty	13

SPECIFICATIONS

MODEL NO.	AF-520B
VOLTAGE:	120V
CURRENT:	0.45A
FREQUENCY:	60Hz
POWER CONSUMPTION:	54W
FAN SPEEDS:	3
SPRAY NOZZLES:	3

REGISTER YOUR PRODUCT ONLINE

Register Your NewAir Product Online Today!

Take advantage of all the benefits product registration has to offer:



Service and Support

Diagnose troubleshooting and service issues faster and more accurately



Recall Notifications

Stay up to date for safety, system updates and recall notifications



Special Promotions

Opt-in for NewAir promotions and offers

Registering your product information online is safe & secure and takes less than 2 minutes to complete:

Register.NewAir.com

Alternatively, we recommend you attach a copy of your sales receipt below and record the following information, located on the manufacturer's nameplate on the rear of the unit. You will need this information if it becomes necessary to contact the manufacturer for service inquiries.

Date of Purchase: _____

Serial Number: _____

Model Number: _____

<http://www.NewAir.com>

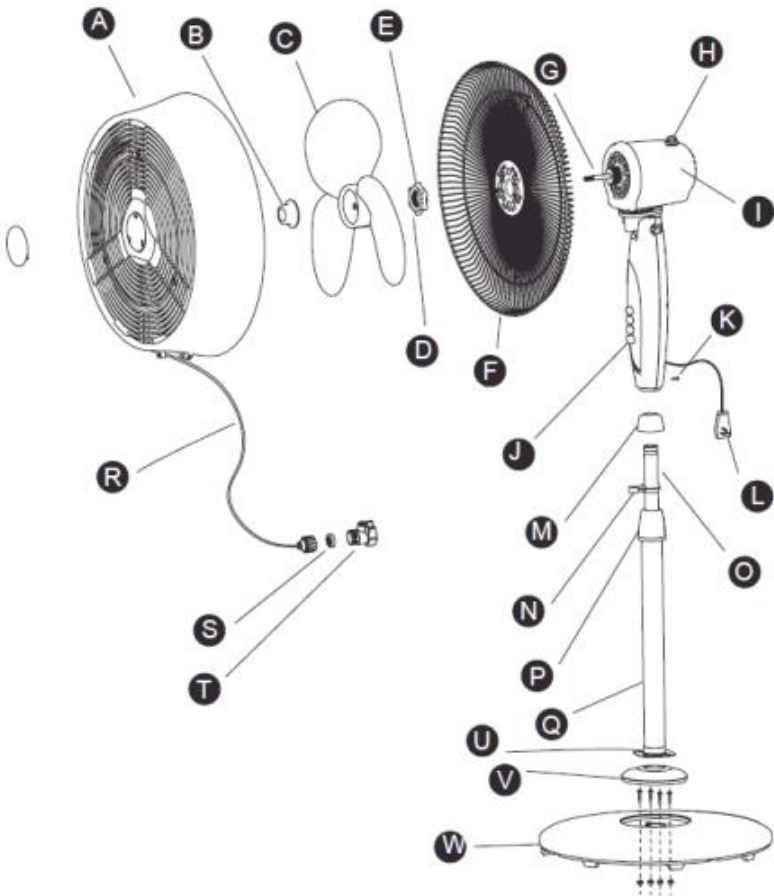
SAFETY INFORMATION & WARNINGS



When using any electrical appliance, basic safety precautions must be followed in order to reduce the risk of fire, electrical shock and/or injury to persons or property. Be sure to read all instructions before using this appliance and observe the following safety tips:

- To reduce the risk of fire or electric shock, do not use this fan with any solid state speed control device (e.g. a dimmer switch).
- This product must be grounded. If it should malfunction or break down, grounding provides a path of least resistance for electric current to reduce the risk of electric shock. This product is equipped with a cord having an equipment-grounding conductor and a grounding plug. Plug into an appropriate outlet that is properly installed and grounded in accordance with all local codes and ordinances.
- This fan is provided with a ground fault circuit interrupter (GFCI) built in to the plug of the power supply cord. This device provides additional protection from the risk of electric shock. Should replacement of the plug or cord become necessary, use only identical replacement parts that include GFCI protection.
- Do not leave the fan running unattended.
- Do not use fan in a window. Rain may create an electrical hazard.
- Do not stick any object or body parts in the grille of the fan while the blades are moving or the fan is plugged in.
- Before using the unit, check if the voltage indicated corresponds with the intended outlet (120V).
- Connect power after the fan is fully assembled.
- Unplug from outlet when: not in use, when moving fan from one location to another, before putting on or taking off parts, and before cleaning.
- Be sure fan is on a stable surface when operating to avoid overturning.
- Do not use any appliance with a damaged cord or plug. Discard fan or return to an authorized service facility for examination and/or repair.
- Children should be supervised to ensure they do not play with the appliance.
- Keep cord away from traffic areas to avoid risk of tripping.

PARTS LIST



- | | | |
|-------------------|---------------------------|---------------------------|
| A. Front grille | I. Motor housing | Q. External pole |
| B. Blade cap | J. Push button | R. Misting line |
| C. Fan blade | K. Thumb screw | S. Filter washer |
| D. Plastic sleeve | L. Power cord | T. Valve |
| E. Plastic nut | M. Waterproof cover | U. Screws (pre-assembled) |
| F. Rear grille | N. Misting line holder | V. Stand ornament |
| G. Motor shaft | O. Internal pole | W. Base knob |
| H. Clutch knob | P. Height adjustment knob | |

ASSEMBLY INSTRUCTIONS

Before beginning assembly of product, make sure all parts are present. Compare parts with package contents list and diagram above. If any part is missing or damaged, do not attempt to assemble the product. Contact customer service for replacement parts.

Estimated Assembly Time: 15 minutes

Tools required for assembly: Phillips Screwdriver (not included)

FAN BASE ASSEMBLY – FIG. 1

1. Unscrew the four screws (U) on the base (W), and then attach the external pole (Q) to the base by tightening the four screws.
2. Remove the height adjustment ring (P) by unscrewing it counterclockwise, and slide the stand ornament (V) down the external pole and over the base.
3. Use your finger to pull out the internal pole (O). Slide the height adjustment ring over the internal pole. Fasten it to the external pole by turning the ring clockwise while holding the pole. Make sure the height adjustment ring is tightly fastened before final assembly.

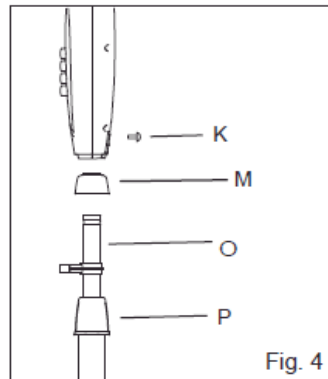
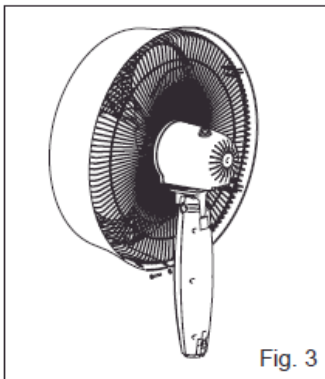
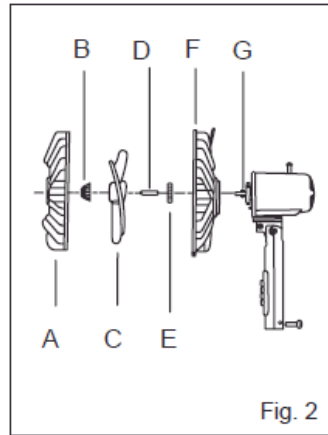
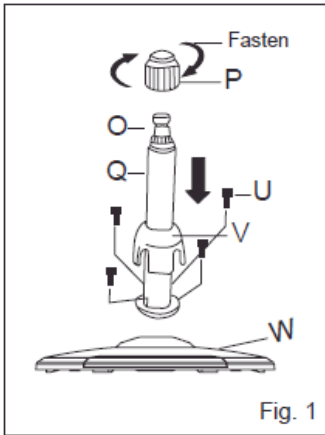
FAN HEAD ASSEMBLY – FIG. 2 & 3

1. Remove the blade cap (B) by turning clockwise. If you are struggling to remove it, try holding the cap down. Remove the plastic nut (E) by turning counterclockwise. Discard plastic sleeve (D).
2. Position the rear grille (F) over the motor shaft (G). Make sure the handle is at the top and the one notch in the rear of the cover fit over the three prongs on the motor housing (H).
3. Secure the rear grille by turning the plastic nut (E) clockwise and tightening firmly.
4. Slide the fan blade (C), with the hollow interior of the blade facing towards the rear grille, onto the motor shaft.
5. Secure the fan blade onto the motor shaft by turning the blade cap counterclockwise until it is firmly in place

6. Mount the front grille (A) with the logo in the proper direction and secure the front grille and the rear grille together by fastening eight grille clips. Secure the screw.

FINAL ASSEMBLY – FIG. 4

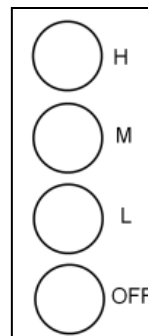
1. Loosen the thumb screw (K) by turning it counterclockwise.
2. Always keep the water proof cover (M) even with the height adjustment knob (P) when adjusting the internal pole (O).
3. Insert the internal pole into the neck joint and tighten by turning the thumb screw clockwise. Make sure it is tight enough to support the fan head.



OPERATING INSTRUCTIONS

FAN-ONLY OPERATION

1. Place the fan on a level surface. Plug the GFCI plug into a standard 120V 3-prong wall outlet.
2. To start/stop fan oscillation, push down/pull up the clutch knob (J).
3. To adjust the airflow upward or downward, simply tilt the fan head by hand and move to desired angle.
4. Control speed by pushing the desired button:
H – High (50W)



M – Medium (45W)

L – Low (40W)

OFF – Stop

5. The height of the fan can be adjusted by loosening the height adjustment knob (P) and carefully raising or lowering the fan and retightening the knob.

MISTING

1. Connect a standard $\frac{3}{4}$ " garden hose to the misting hose valve (T). Water pressure should not exceed 555 153 kPa (5.62 kfg/cm²). The hose should be in good condition.
2. With the garden hose turned on at the spigot, turn the lever on the misting hose valve to the right to turn on water to the fan.
3. Turn the lever to the left to temporarily shut down the mist.

CLEANING & MAINTENANCE

The fan requires little maintenance. Do not try to fix it by yourself. Refer it to qualified service personnel if service is needed.

1. Disconnect from the electric socket during cleaning or assembly.
2. To ensure adequate air circulation to the motor, keep the vents at the rear of the motor housing clear of dust, fluff, etc. Unplug the fan before using a vacuum cleaner to clean the grilles. It should not be necessary to disassemble the fan to clean it.
3. Wipe the exterior with a soft cloth soaked in a mild detergent. Do not use any abrasive detergents or solvents to avoid damaging the surface. Do not use gasoline, thinner, or bending to clean the fan.
4. Do not allow water or any other liquid into the motor housing or interior parts.

MISTING NOZZEL MAINTENANCE

If the misting nozzles become clogged, unscrew them from the fan grille and soak in vinegar or a lime scale remover until they are clear of buildup. Use a non-metallic brush to scrub them if necessary. If the nozzles remain obstructed, contact the manufacturer for replacements.

Warning: never try to clear the nozzles with pins or other sharp objects as this can cause damage.

If the misting hose valve becomes clogged, unscrew the head of the valve and flush it with running water to clear debris. Make sure the screen inside the misting hose is clean as well.

STORAGE

Before storing, follow the assembly instructions in reverse to dismantle the fan. Clean the individual parts with a soft, damp cloth and allow the pieces to dry completely before packing. Pack it in the original box, or cover it with plastic or cloth. Store the fan in a clean, dry place.

TROUBLESHOOTING

Problem	Possible Causes	Solution
The fan has no power.	The unit may be plugged in using a different voltage.	Check if using the wrong voltage.
	The circuit breaker may be tripped or there is a blown fuse.	Reset the circuit breaker or check for a broken fuse.

Problem	Possible Causes	Solution
The fan is not rotating.	There is an obstruction.	Check for obstructions in the fan. If you find something, turn the fan off. Unplug the fan and carefully remove the obstruction. Plug the fan in and turn it on again by referring to the operating instructions.
No mist is produced.	There is no water coming from the hose.	Make sure the garden hose is correctly connected to the spigot and the misting hose valve, that the spigot is turned on, and that the valve is open.
Nozzles are leaking or dripping.	The nozzles are clogged.	Clean the clogged nozzles on the front of the fan as described under "Cleaning & Maintenance."

LIMITED MANUFACTURER'S WARRANTY

This appliance is covered by a limited manufacturer's warranty. For one year from the original date of purchase, the manufacturer will repair or replace any parts of this appliance that prove to be defective in materials and workmanship, provided the appliance has been used under normal operating conditions as intended by the manufacturer.

Warranty Terms:

During the first year, any components of this appliance found to be defective due to materials or workmanship will be repaired or replaced, at the manufacturer's discretion, at no charge to the original purchaser. The purchaser will be responsible for any removal or transportation costs.

Warranty Exclusions:

The warranty will not apply if damage is caused by any of the following:

- Power failure
- Damage in transit or when moving the appliance
- Improper power supply such as low voltage, defective household wiring or inadequate fuses
- Accident, alteration, misuse or abuse of the appliance such as using non-approved accessories, inadequate air circulation in the room or abnormal operating conditions (extreme temperatures)
- Use in commercial or industrial applications
- Fire, water damage, theft, war, riot, hostility or acts of God such as hurricanes, floods, etc.
- Use of force or damage caused by external influences
- Partially or completely dismantled appliances
- Excess wear and tear by the user

Obtaining Service:

When making a warranty claim, please have the original bill of purchase with the purchase date available. Once confirmed that your appliance is eligible for warranty service, all repairs will be performed by a NewAir™ authorized repair facility. The purchaser will be responsible for any removal or transportation costs. Replacement parts and/or units will be new, re-manufactured or refurbished and is subject to the manufacturer's discretion. For technical support and warranty service, please email support@newairusa.com.