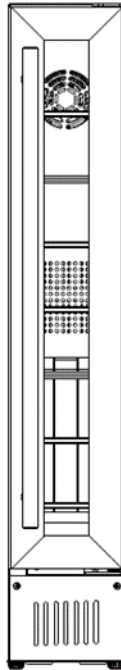


**newair**<sup>®</sup>

NWC007SS00

---

# 7 Bottle Built-in Wine Fridge



## OWNERS MANUAL

*Read and save these instructions.*



Manual v1.2

---

# READ AND SAVE THESE INSTRUCTIONS.

---

## TABLE OF CONTENTS

Register Your Product Online.....	3
Safety Information & Warnings .....	4
Parts List.....	7
Assembly & Installation .....	8
Operating Instructions .....	16
Cleaning & Maintenance.....	18
Troubleshooting.....	19
Limited Manufacturer's Warranty .....	20

---

## SPECIFICATIONS

<b>MODEL No.</b>	NWC007SS00
<b>VOLTAGE:</b>	110V
<b>NOISE LEVEL:</b>	42dB
<b>FREQUENCY:</b>	60Hz
<b>POWER CONSUMPTION:</b>	85W
<b>BOTTLE CAPACITY:</b>	7 bottles
<b>STORAGE CAPACITY:</b>	0.68 cu. ft.
<b>TEMPERATURE RANGE:</b>	41°F - 65°F
<b>REFRIGERANT:</b>	R600a

## REGISTER YOUR PRODUCT ONLINE

### Register Your NewAir Product Online Today!

Take advantage of all the benefits product registration has to offer:



#### Service and Support

Diagnose troubleshooting and service issues faster and more accurately



#### Recall Notifications

Stay up to date for safety, system updates and recall notifications



#### Special Promotions

Opt-in for NewAir promotions and offers

Registering your product information online is safe & secure and takes less than 2 minutes to complete:

[newair.com/register](https://newair.com/register)

Alternatively, we recommend you attach a copy of your sales receipt below and record the following information, located on the manufacturer's nameplate on the rear of the unit. You will need this information if it becomes necessary to contact the manufacturer for service inquiries.

**Date of Purchase:** \_\_\_\_\_

**Serial Number:** \_\_\_\_\_

**Model Number:** \_\_\_\_\_

## SAFETY INFORMATION & WARNINGS

Your safety and the safety of others are very important.

We have provided many important safety messages in this manual and on your appliance. Always read and obey all safety messages.



This is the Safety Alert Symbol. This symbol alerts you to potential hazards that can kill or injure you and others. All safety messages will follow the Safety Alert Symbol and the words "**DANGER**", "**WARNING**" or "**CAUTION**".

**DANGER:** Danger means that failure to heed this safety statement may result in severe injury or death.

**WARNING:** Warning means that failure to heed this safety statement may result in extensive product damage, serious injury, or death.

**CAUTION:** Caution means that failure to heed this safety statement may result in minor or moderate injury, or property or equipment damage.

All safety messages will alert you to know what the potential hazard is, tell you how to reduce the chance of injury, and let you know what can happen if the instructions are not followed.



### IMPORTANT SAFEGUIDES

Before the appliance is used, it must be properly positioned and installed as described in this manual, please read the manual carefully. To reduce the risk of fire, electrical shock or injury when using the appliance, follow basic precaution, including the following:

- Plug into a grounded 3-prong outlet, do not remove grounding prong, do not use an adapter, and do not use an extension cord.
- Replace all panels before operating.
- It is recommended that a separate circuit, serving only your appliance, be provided. Use receptacles that cannot be turned off by a switch or pull-chain.
- Never clean appliance parts with flammable fluids. These fumes can create a fire hazard or explosion. And do not store or use gasoline or other

flammable vapors and liquids in the vicinity of this or any other appliance. The fumes can create a fire hazard or explosion.

- Before proceeding with cleaning and maintenance operations, make sure the power line of the unit is disconnected.
- Do not connect or disconnect the electric plug when your hands are wet.
- Unplug the appliance or disconnect power before cleaning or servicing. Failure to do so can result in electrical shock or death.
- Do not attempt to repair or replace any part of your appliance unless it is specifically recommended in this manual. All other servicing should be referred to a qualified technician.
- This appliance is CFC- and HFC-free and contains small quantities of Isobutane (R600a) which is environmentally friendly, but flammable. It does not damage the ozone layer, nor does it increase the greenhouse effect.
- Care must be taken during transportation and setting up of the appliance that no parts of the cooling system are damaged. Leaking coolant can ignite and may damage the eyes. In the event of any damage:
  - Avoid open flames and anything that creates a spark,
  - Disconnect from the electrical power line,
  - Air out the room in which the appliance is located for several minutes, and
  - Contact the Service Department for advice.
- The more coolant there is in an appliance, the larger the room it should be installed in. In the event of a leakage, if the appliance is in a small room, there is the danger of combustible gases building up. For every ounce of coolant, at least 325 cubic feet of room space is required. The amount of coolant in the appliance is stated on the data plate on the back of the appliance. It is hazardous for anyone other than an authorized service personnel to carry out servicing or repairs to this appliance.
- Take serious care when handling, moving, and using the appliance to avoid either damaging the refrigerant tubing or increasing the risk of a leak.
- Replacing component parts and servicing shall be done by factory authorized service personnel so as to minimize the risk of possible ignition due to incorrect parts or improper service.



**FOLLOW WARNING CALL OUTS BELOW ONLY WHEN APPLICABLE TO YOUR MODEL**

- Use two or more people to move and install appliance. Failure to do so can result in back or other injury.
- To ensure proper ventilation for your appliance, the front of the unit must be completely unobstructed. Choose a well-ventilated area with

temperatures above 60°F (16°C) and below 90°F (32°C). This unit must be installed in an area protected from the elements, such as wind, rain, water spray or drips.

- The appliance should not be located next to ovens, grills or other sources of high heat.
- The appliance must be installed with all electrical, water and drain connections in accordance with state and local codes. A standard electrical supply (115 V AC only, 60 Hz), properly grounded in accordance with the National Electrical Code and local codes and ordinances is required.
- Do not kink or pinch the power supply cord of appliance.
- The fuse (or circuit breaker) size should be 15 amperes.
- It is important for the appliance to be leveled in order to work properly. You may need to make several adjustments to level it.
- Never allow children to operate, play with or crawl inside the appliance.
- Do not use solvent-based cleaning agents or abrasives on the interior. These cleaners may damage or discolor the interior.
- Do not use this apparatus for other than its intended purpose.



### **Risk of child entrapment!**

Keep children away from refrigerators, freezers, dryers or coolers still in use. Lock the door to your utility room and warn children not to play inside these appliances.

**Childproof old refrigerators and other appliances you plan to discard or leave in storage.**

In many local jurisdictions, it is unlawful to discard old refrigerators without first removing the door. Use a screwdriver to take off the door of an old refrigerator or appliance completely.

**- SAVE THESE INSTRUCTIONS -**

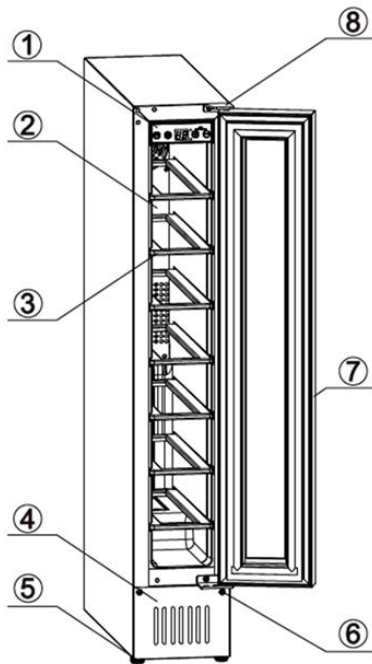
## PARTS LIST

When you receive your unit, carefully remove the exterior and interior packaging. It is recommended that you retain the packaging for future use.

Check to make sure the following parts are included:

- 1 instruction manual

## PARTS DIAGRAM



- |                            |                    |
|----------------------------|--------------------|
| 1. Control panel and light | 5. Adjustable feet |
| 2. Evaporator grid         | 6. Lower hinge     |
| 3. Shelf                   | 7. Door            |
| 4. Plinth                  | 8. Upper hinge     |

## ASSEMBLY & INSTALLATION

### BEFORE USING YOUR APPLIANCE

- Remove the exterior and interior packing; check to be sure you have all of the following parts:
  1. Instruction Manual
  2. Wooden Shelves
  3. Door Handle
  4. Door hinges
- Before connecting this appliance to the power source, let it stand upright for approximately 2 hours. This will reduce the possibility of a malfunction in the cooling system from handling during transportation.
- Clean the interior surface with lukewarm water using a soft cloth.

### ELECTRICAL CONNECTION

#### **WARNING**

Improper use of the grounded plug can result in electrical shock. If the power cord is damaged, contact customer service immediately at [support@newair.com](mailto:support@newair.com).

This appliance should be properly grounded for your safety. The power cord of this appliance is equipped with a three-prong plug. Fit with a standard three prong wall outlet only to minimize the possibility of electrical shock.

Do not under any circumstances cut or remove the third ground prong from the power cord supplied. For personal safety, this appliance must be properly grounded.

This appliance requires a standard three-prong 115/120 Volt AC ~/60Hz electrical ground wall outlet. Have the wall outlet and circuit checked by a qualified electrician to make sure the outlet is properly grounded. When a standard 2-prong wall outlet is encountered, it is your responsibility and obligation to have it replaced with a properly grounded 3-prong wall outlet.

The cord should be secured behind the appliance and not left exposed or dangling to prevent accidental injury.

The appliance should always be plugged into its own individual electrical outlet which has a voltage rating that matches the rating label on the appliance. This



provides the best performance and also prevents overloading house wiring circuits that could be a fire hazard from overheating. Never unplug the appliance by pulling the power cord. Always grip the plug firmly and pull straight out from the receptacle. Repair or replace immediately all power cords that have become frayed or otherwise damaged. Do not use a cord that shows cracks or abrasion damage along its length or at either end. When moving the appliance, be careful not to damage the power cord.

---

## EXTENSION CORD

Because of potential safety hazards under certain conditions, it is strongly recommended that you do not use an extension cord with this appliance. However, if you must use an extension cord it is absolutely necessary that it be a UL/CUL-Listed, 3-wire grounding type appliance extension cord having a grounding type plug and outlet and that the electrical rating of the cord be 115 volts and at least 10 amperes.

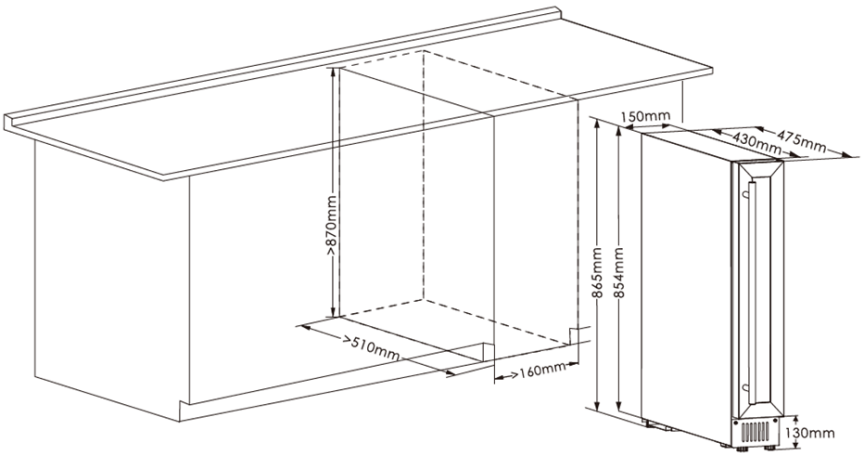
---

## INSTALLATION OF YOUR APPLIANCE

- This appliance is designed for built-in (fully recessed) installation.
- Place your appliance on a floor that is strong enough to support it when it is fully loaded. To level your appliance, adjust the front leveling legs at the bottom of the appliance.
- Locate the appliance away from direct sunlight and sources of heat (stove, heater, radiator, etc.). Direct sunlight may affect the acrylic coating and heat sources may increase electrical consumption. Extremely cold ambient temperatures may also cause the unit not to perform properly.
- Avoid locating the unit in moist areas.
- Plug the appliance into an exclusive, properly installed-grounded wall outlet. Do not under any circumstances cut or remove the third (ground) prong from the power cord. Any questions concerning power and/or grounding should be directed toward a certified electrician or a service center authorized by Felix Storch, Inc.

## BUILT-IN CABINET INSTRUCTIONS

This unit is designed for built-in installation, please follow the requirements shown below. Be sure that airflow under the appliance is not blocked.

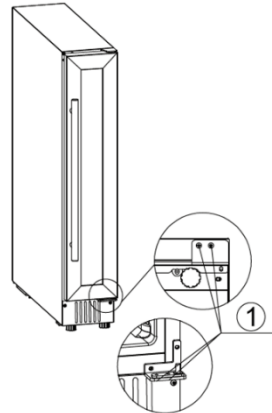


## DOOR REVERSIBILITY

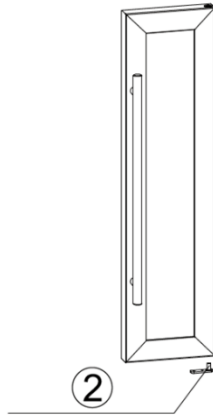
Please follow below instructions to reverse the door:

In the instruction manual bag, there is a left upper hinge and left lower hinge for you to reverse the door, please follow below instructions:

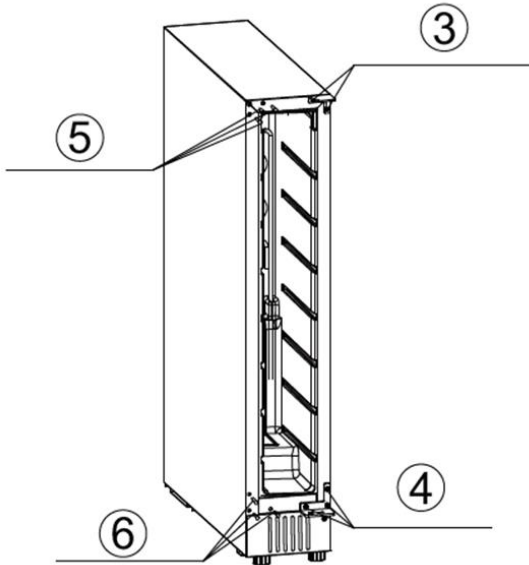
1. Unscrew the bottom two screws fixed into the door axis of the lower left hinge, then remove the door.



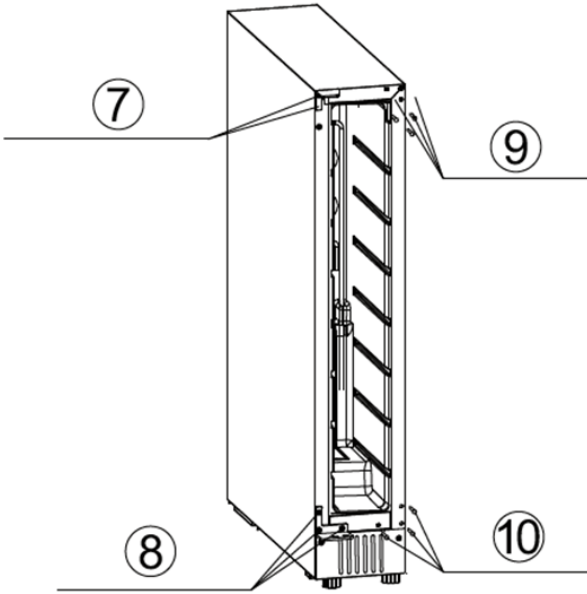
2. Remove the door axis from the door axis hole at the bottom left of the door.



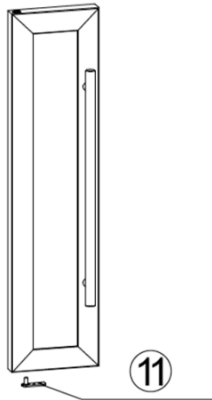
3. Remove right upper hinge by unscrewing three screws.
4. Remove right lower hinge by unscrewing three screws.
5. Remove the decorative plastic caps at left upper hinge hole.
6. Remove the decorative plastic caps at left lower hinge hole.



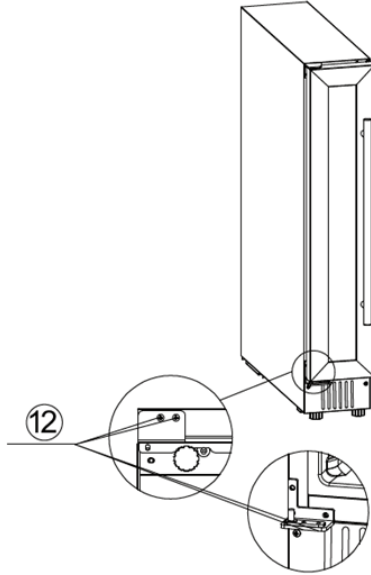
7. Install left upper hinge.
8. Install left lower hinge.
9. Insert decorative caps to cover right upper hinge holes.
10. Insert decorative caps to cover right lower hinge holes.



11. Turn the door by 180°, and insert the door axis into bottom door axis hole.



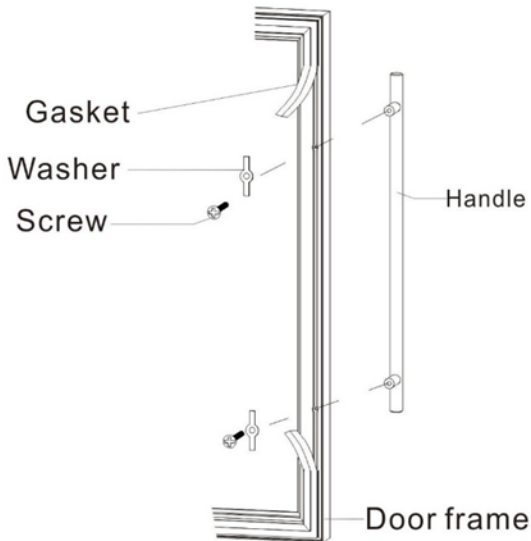
- Put the door into left upper hinge axis, align the door with lower hinge, and fix door axis to left lower hinge.



## INSTALLING STAINLESS STEEL HANDLE

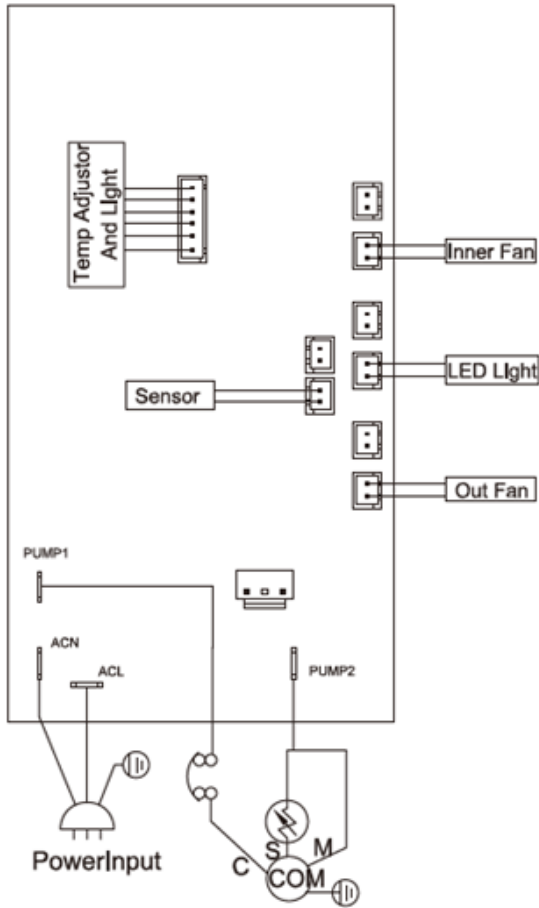
This cooler includes two stainless steel handles that are not installed by the factory. To install the handle please follow these instructions:

1. Pull away the door gasket in the area where the handle is to be installed, as shown in the first illustration below. The gasket is easily displaced by hand, no tools are necessary.
2. Align the handle with the screws pre-installed on the backside of the door. Tighten the screws using a Phillips head screwdriver until the handle sets both flush and secured tightly against the door frame. (DO NOT over-tighten as this will cause damage to the handle assembly).
3. Replace the door gasket to its original position.



- ① Gasket
- ② Screwdriver
- ③ S/S handle

## WIRINGDIAGRAM

**Electrocircuit Line Diagram**

## OPERATING INSTRUCTIONS

### TEMPERATURE ADJUSTMENT

It is recommended that you install the appliance in a place where the ambient temperature is between 61°- 100° F (16°-38° C). If the ambient temperature is higher or lower than recommended temperatures, the performance of the unit may be affected. For example, placing your unit in extremely cold or hot conditions may cause interior temperatures to fluctuate. The range of 41°- 65° F (5°-18° C) may not be reached.

Temperature range is 41-65°F / 5-18°C

Recommended Temperatures for Chilling Wine.


Red Wines	58 - 65 °F	15 - 18 °C
Dry / White Wines	48 - 57 °F	10 - 14 °C
Rosé Wines	49 - 51 °F	9 – 11 °C
Sparkling Wines	40 - 47 °F	5 - 8 °C






---

## ON/OFF POWER

Press and hold  for 2 seconds on control panel to turn on or turn off the cooler. When cooler is turned off, the appliance will stop working and totally shut down.



---



## LIGHT SETTING

Press  to turn on or turn off light.

---

## TEMPERATURE SETTING

Press  or  to adjust the temperature of the appliance. Each press on the button will alter the temperature by 1°F or 1°C.

Press  and  together and hold for 3 seconds to change temperature display from Celsius to Fahrenheit or from Fahrenheit to Celsius

## CLEANING & MAINTENANCE

### CLEANING YOUR APPLIANCE

- Turn off the power, unplug the appliance, and remove all items including shelves.
- Wash the inside surfaces with a warm water and baking soda solution. The solution should be about 2 tablespoons of baking soda to a quart of water.
- Wash the shelves with a mild detergent solution.
- Wring excess water out of the sponge or cloth when cleaning area of the controls, or any electrical parts.
- Wash the outside cabinet with warm water and mild liquid detergent. Rinse well and wipe dry with a clean soft cloth.
- Do not use steel wool or steel brush on the stainless steel. These will contaminate the stainless steel with steel particles and rusting may occur.

### POWER FAILURE

Most power failures are corrected within a few hours and should not affect the temperature of your appliance if you minimize the number of times the door is opened. If the power is going to be off for a longer period of time, you need to take the proper steps to protect your contents.

### MOVING YOUR COOLER

To move your cooler:

- Remove all items.
- Tape down all shelves.
- Tape the door shut.
- Be sure the appliance stays secure in the upright position during transportation. Also protect outside of appliance with a blanket or similar item

### ENERGY-SAVING TIPS

The appliance should be located in the coolest area of the room, away from heat producing appliances, and out of direct sunlight.

## TROUBLESHOOTING

You can solve many common problems easily, saving you the cost of a possible service call. Try the suggestions below to see if you can solve the problem before calling the service technician.

<b>Problem</b>	<b>Possible Causes and Solution</b>
<b>Appliance is not running</b>	<ul style="list-style-type: none"> <li>• Appliance is not plugged in.</li> <li>• Appliance is not turned on.</li> <li>• Check voltage of the installation</li> <li>• Check if the circuit breaker or the fuse has blown.</li> </ul>
<b>Appliance is not cold enough</b>	<ul style="list-style-type: none"> <li>• The door is opened too frequently.</li> <li>• The door is not closed properly.</li> <li>• The door is not sealing properly.</li> <li>• Insufficient free space around the appliance.</li> <li>• Check the temperature control setting.</li> <li>• Check if ambient temperature is beyond appliance operating temperature.</li> </ul>
<b>The compressor starts and stops frequently</b>	<ul style="list-style-type: none"> <li>• The external temperature is high.</li> <li>• The bottle count has exceeded the fridge capacity.</li> <li>• The appliance is opened frequently.</li> <li>• The door is not properly closed.</li> <li>• The cellar has not been correctly set.</li> </ul>
<b>Vibration</b>	<ul style="list-style-type: none"> <li>• Check and ensure that the appliance is level</li> </ul>
<b>The appliance makes a lot of noise</b>	<ul style="list-style-type: none"> <li>• The rattling noise may come from the flow of the refrigerant, which is normal.</li> <li>• At the end of a cooling cycle, you can hear the noise of water circulating.</li> <li>• Expansion and contraction of the internal walls may cause a cracking sound.</li> <li>• The appliance is not level.</li> <li>• Check if fan is in good condition.</li> </ul>
<b>The door does not close properly</b>	<ul style="list-style-type: none"> <li>• The appliance is not level.</li> <li>• The door seal is dirty or damaged.</li> <li>• The shelves are not positioned correctly.</li> <li>• A part of the contents is preventing the door from closing.</li> </ul>

## LIMITED MANUFACTURER'S WARRANTY

This appliance is covered by a limited manufacturer's warranty. For one year from the original date of purchase, the manufacturer will repair or replace any parts of this appliance that prove to be defective in materials and workmanship, provided the appliance has been used under normal operating conditions as intended by the manufacturer.

### **Warranty Terms:**

During the first year, any components of this appliance found to be defective due to materials or workmanship will be repaired or replaced, at the manufacturer's discretion, at no charge to the original purchaser. The purchaser will be responsible for any removal or transportation costs.

### **Warranty Exclusions:**

The warranty will not apply if damage is caused by any of the following:

- Power failure
- Damage in transit or when moving the appliance
- Improper power supply such as low voltage, defective household wiring or inadequate fuses
- Accident, alteration, misuse or abuse of the appliance such as using non-approved accessories, inadequate air circulation in the room or abnormal operating conditions (extreme temperatures)
- Use in commercial or industrial applications
- Fire, water damage, theft, war, riot, hostility or acts of God such as hurricanes, floods, etc.
- Use of force or damage caused by external influences
- Partially or completely dismantled appliances
- Excess wear and tear by the user

### **Obtaining Service:**

When making a warranty claim, please have the original bill of purchase with purchase date available. Once confirmed that your appliance is eligible for warranty service, all repairs will be performed by a NewAir™ authorized repair facility. The purchaser will be responsible for any removal or transportation costs. Replacement parts and/or units will be new, re-manufactured or refurbished and is subject to the manufacturer's discretion. For technical support and warranty service, please email [support@newairusa.com](mailto:support@newairusa.com).