

newair[®]

SKU: NGH500GA00

2-in-1 240v Electric Garage Heater



OWNER'S MANUAL

Read and save these instructions.


Intertek
Manual v1.0

READ AND SAVE THESE INSTRUCTIONS.

TABLE OF CONTENTS

Register Your Product Online.....	3
Safety Information & Warnings	4
Included Parts	6
Assembly & Installation	7
Operating Instructions	9
Cleaning & Maintenance.....	11
Troubleshooting.....	11
Limited Manufacturer's Warranty	12

SPECIFICATIONS

MODEL NO.	NGH500GA00
BTU's/HOUR:	17,000
WATTAGE:	4,800
VOLTAGE:	240
AMPS:	30
HEATING AREA:	500 square feet
AIRFLOW:	500 CFM
NOISE LEVEL:	≤55 db
TEMPERATURE RANGE:	45-99 F

REGISTER YOUR PRODUCT ONLINE

Register Your NewAir Product Online Today!

Take advantage of all the benefits product registration has to offer:



Service and Support

Troubleshoot, diagnose, and service issues faster and more accurately



Recall Notifications

Stay up to date for safety, system updates, and recall notifications



Special Promotions

Opt-in for NewAir promotions and offers

Registering your product information online is safe & secure and takes less than 2 minutes to complete:

newair.com/register

Alternatively, we recommend you attach a copy of your sales receipt below and record the following information, which is located on the manufacturer's nameplate on the rear of the unit. You will need this information if it becomes necessary to contact the manufacturer for a service inquiry.

Date of Purchase: _____

Serial Number: _____

Model Number: _____

SAFETY INFORMATION & WARNINGS



PLEASE READ AND SAVE THESE IMPORTANT SAFETY INSTRUCTIONS. When using electrical appliances, basic precautions should always be followed to reduce the risk of fire, electrical shock, and injury to persons, including the following:

- Read all instructions before using this heater.
- Only use this heater on a 208-240 volt 60Hz AC power outlet.
- This heater gets very hot when in use. To avoid burns, do not let bare skin touch hot surfaces. If provided, use handles when moving this heater. Keep combustible materials, such as furniture, pillows, bedding, papers, clothes, and curtains at least 3 feet from the heater.
- Extreme caution is necessary when any heater is used by or near children, pets or those with reduced mental capacity and whenever the heater is left operating unattended.
- Always unplug the heater when not in use.
- Do not operate any heater with a damaged cord or plug or after the heater has malfunctioned, has been dropped, or has been damaged in any manner.
- Contact customer service if any issues arise with the unit, as there are no serviceable parts inside the heater.
- Under no circumstances should this appliance or its parts be modified. Parts removed for servicing must be replaced properly, prior to operating this appliance again.
- Do not use outdoors.
- Use your heater only in dry environments. This heater is not intended for use in bathrooms, laundry areas, or similar indoor locations. Never locate the heater where it may fall into a bathtub or any other liquids. Do not use your heater outdoors. Do not use near sinks, swimming pools or other damp areas such as flooded basements, garages, etc., or any place where the heater could come in contact with water or other liquids (even for cleaning the heater).
- Only place this heater on a flat, dry surface while in use.
- Do not run the power cord under carpeting. Do not cover the cord with throw rugs, runners, or similar coverings. Keep the cord away from high traffic areas and where it will not be tripped over.
- To disconnect the heater, first press the power button on the control panel, then remove the plug from the outlet. Always unplug the heater when not in use.

- Connect to properly grounded outlets only, and only 240V outlets (this product is not made to be used on a standard 120V outlet)
- Do not insert or allow foreign objects to enter any ventilation or exhaust opening as this may cause electrical shock or fire, or damage the heater.
- To prevent a possible fire, do not block air intakes or exhaust in any manner. Do not use on soft surfaces, like a bed, where openings may become blocked. Keep the heater clear of dust buildup as well.
- This appliance gets very hot while in use, and contains electrical components. Do not use it in areas where gasoline, paint, or flammable liquids are used or stored. Doing so could cause a fire.
- Use this heater only as described in this manual. Any other use not recommended by the manufacturer as it may cause fire, electric shock, or injury.
- Avoid the use of an extension cord because the extension cord may overheat and cause a risk of fire.
- Never use this heater on the same circuit as other electrical appliances.

SAVE THESE INSTRUCTIONS



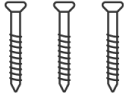

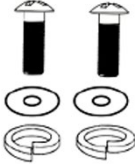


DANGER

ELECTRIC SHOCK OR FIRE HAZARD

READ ALL WIRE SIZING, VOLTAGE REQUIREMENTS, AND SAFETY DATA TO AVOID PROPERTY DAMAGE AND PERSONAL INJURY

MINIMUM CLEARANCE FROM COMBUSTIBLES	
FRONT	3 Feet
TOP	1 Foot
SIDES	1 Foot
REAR	1 Foot

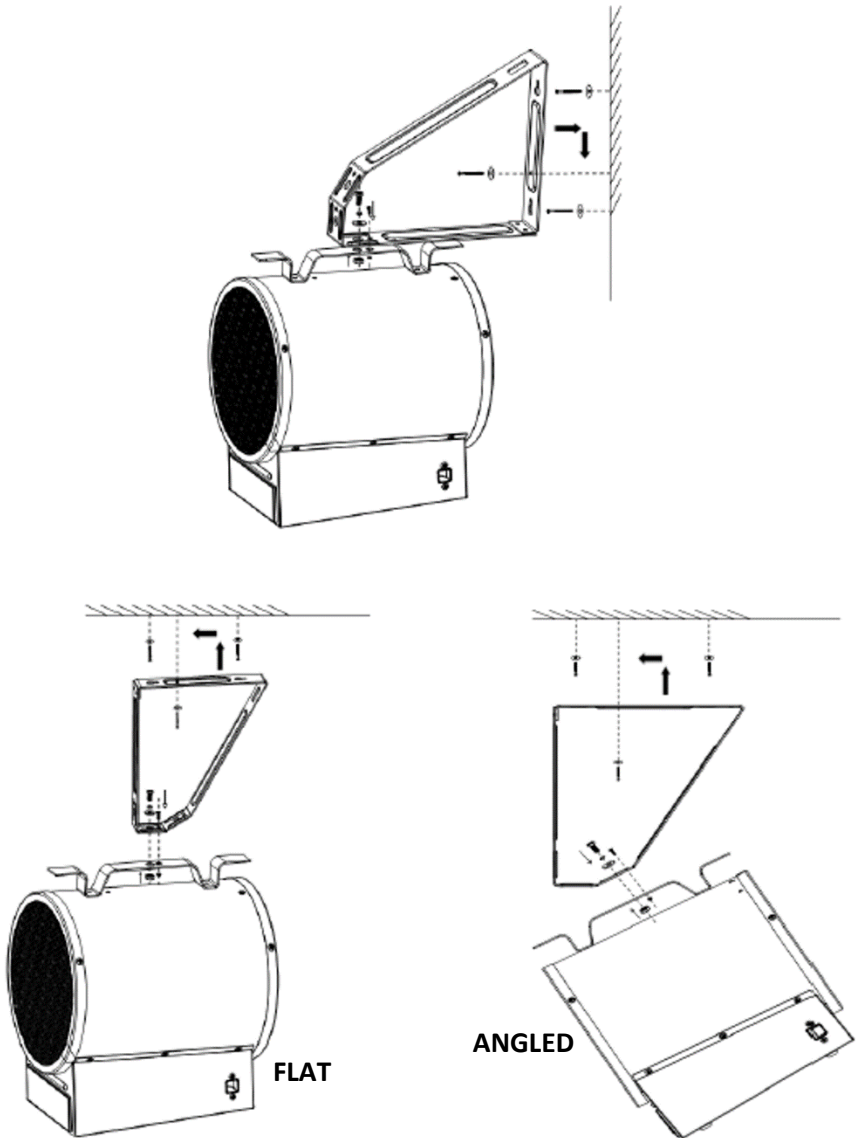
INCLUDED PARTS

 <p>65 mm Screws (3)</p>	<p>20mm Screw (1) Lock Washer (1) 10 mm Washer (1) 10 mm Nut (1)</p> 
<p>16 mm Screws (2) 5 mm Washers (2) Lock Washers (2)</p> 	<p>M10 mm Screw (1) 5mm Nut (1)</p> 
<p>Wall/Ceiling Bracket (1) Handle (1) Remote Control (1)</p> 	

ASSEMBLY & INSTALLATION



WARNING: USE THIS HEATER ONLY AS DESCRIBED IN THIS MANUAL. ANY OTHER USE NOT RECOMMENDED BY THE MANUFACTURER AND IS STRICTLY PROHIBITED AS IT MAY CAUSE FIRE, ELECTRIC SHOCK, OR INJURY.



WALL/CEILING MOUNTING INSTRUCTIONS

Tools needed:

- Power drill
- 4mm or 5/32in drill bit
- Phillips head screwdriver
- Stud finder

Remove Heater and all packing material from the box, being careful to remove all Styrofoam from the heater itself before use.

1. Line up both holes on the bracket with the adjacent holes on the heater handle.
2. Attach heater handle to bracket with 20mm screw and nut, 10mm washer, and locking washer.
3. Locate a wood stud in a wall or a joist in the ceiling to mount the heater.
4. Use the holes in the bracket to mark 2 holes for drilling.
5. Pre-Drill 2 holes for screws using a drill bit.
6. Secure two 65mm screws to wall stud/ceiling joist leaving 1/8" exposed. Two (2) screws must be attached securely to a wood stud (min 1.5") in order for the heater to remain safely mounted.
7. Attach the bracket to the exposed screw head by sliding through keyholes on the bracket and pushing down to lock the bracket into place.
8. Tighten screws against bracket to secure.

CAUTION: HEATER MUST BE ATTACHED TO A JOIST WITH MINIMUM OF (2) SCREWS IN OPPOSING HOLES.

CAUTION: USE APPROPRIATE FASTENERS. THE SCREWS INCLUDED ARE FOR INSTALLING IN WOOD STUDS ONLY AND ARE NOT INTENDED FOR METAL JOISTS.

CAUTION: BE CERTAIN ADJUSTMENT SCREWS ARE TIGHTENED FIRMLY TO SECURE HEATER TO BRACKET.

CAUTION: Read carefully and keep all instructions and warnings before installation and use. Failure to follow these instructions may result in a possible electric shock, injury to persons or fire hazard, and will void the warranty.

OPERATING INSTRUCTIONS

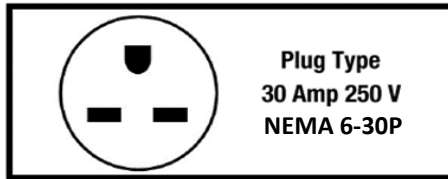
Note: When using the heater for the first time, you may notice a slight emission of smoke. This is normal and will stop after a short time. The heating element is made of steel and was coated with a layer of protective oil during production.

Usage on outlets above 220 volts may cause a slight whistling sound due to the higher fan speed. This is normal and is not affecting the operation of the heater. This is not a defect.

1. Attach the heater to a wall or ceiling as noted in instructions.
2. Connect the heater to the proper electrical power. See grounding instructions above. Once plugged in, the power indicator light will illuminate.
3. Press the red power button. The display panel will flash five (5) times then display the ambient room temperature.
4. To increase or decrease the target temperature, press the green mode button on the control panel or remote control two (2) times (until the target temperature shows and keeps flashing) then press the up/down arrows to increase or decrease the set temperature. Wait a few seconds for the new settings to kick in.
5. To set the timer, press the green mode button on the control panel or remote control three (3) times. The digital display will flash "0H." Press the up/down arrows to increase or decrease the set time between 1 and 9 hours, in 1 hour intervals. Wait a few seconds for the new settings to kick in.
6. To switch between Low and High power modes, press the green mode button on the control panel or remote control one (1) time. The Low/High button will flash (depending on which mode is currently set). Press the up/down arrows to switch between Low and High mode. Wait a few seconds for the new settings to kick in.

GROUNDING INSTRUCTIONS

This heater is for use on 240 (208) volt circuits only. No adapter is available for this blade configuration, and none should be used. The type of outlet is a 240 (208) volt grounding outlet. When properly installed, it provides a ground connection through the cord to the heater to prevent the operator from electric shock. Be sure that the electrical receptacle is of the configuration and capacity appropriate for the heater.



AUTOMATIC OVERHEAT SAFETY CONTROL

This heater is equipped with an internal heat limiting thermostat and overheat protection circuit. When a potential overheat beyond safe temperatures is detected, the system will automatically shut off the heating coil, and run the fan for a little while to help the unit cool down. Let the unit cool down for at least 10 minutes before resetting and becoming available for use again.

CLEANING & MAINTENANCE

Any electrical repairs or rewiring of this unit should be carried out by a licensed electrician and accordance with national and local codes. For the heater itself, there are no serviceable parts inside the unit, and we recommend contacting customer service if any issues arise.

- Before cleaning the appliance, disconnect it from the power outlet and let it cool down.
- In order to protect the enclosure, don't splash water onto the heater, and never use a solvent like gasoline, isoamyl acetate, toluene, etc. to clean the heater. DO NOT open the heater or attempt to clean the inside of this appliance.
- Keep the heater clear of dust, using a dry rag on the outside and a vacuum/compressed air canister for the inside.

TROUBLESHOOTING

PROBLEM	CAUSE	SOLUTION
Heating element does not glow red	Stainless steel elements don't glow red when heating.	Heater is operating correctly.
There is no heat or air flow	The heater has no power.	Check the power connection to the heater.
	The target temperature has been reached.	Thermostat will shut off the heater once the desired room temperature is reached.
	The fan overheated, and the unit is in cooldown mode.	Unplug heater, allow to cool down for 10 minutes, then restart.

LIMITED MANUFACTURER'S WARRANTY

This appliance is covered by a limited manufacturer's warranty. For one year from the original date of purchase, the manufacturer will repair or replace any parts of this appliance that prove to be defective in materials and workmanship, provided the appliance has been used under normal operating conditions as intended by the manufacturer.

Warranty Terms:

During the first year, any components of this appliance found to be defective due to materials or workmanship will be repaired or replaced, at the manufacturer's discretion, at no charge to the original purchaser. The purchaser will be responsible for any removal or transportation costs.

Warranty Exclusions:

The warranty will not apply if the damage is caused by any of the following:

- Power failure
- Damage in transit or when moving the appliance
- Improper power supply such as low voltage, defective household wiring or inadequate fuses
- Accident, alteration, misuse, or abuse of the appliance such as using non-approved accessories, inadequate air circulation in the room or abnormal operating conditions (extreme temperatures)
- Use in commercial or industrial applications
- Fire, water damage, theft, war, riot, hostility or acts of God such as hurricanes, floods, etc.
- Use of force or damage caused by external influences
- Partially or completely dismantled appliances
- Excess wear and tear by the user

Obtaining Service:

When making a warranty claim, please have the original bill of purchase with the purchase date available. Once confirmed that your appliance is eligible for warranty service, all repairs will be performed by a NewAir™ authorized repair facility. The purchaser will be responsible for any removal or transportation costs. Replacement parts and/or units will be new, remanufactured or refurbished and is subject to the manufacturer's discretion. For technical support and warranty service, please email support@newair.com