

newair[®]

NGH170GA00

Portable 120v Electric Garage Heater



OWNERS MANUAL

Read and save these instructions.



Intertek
Manual v1.0

READ AND SAVE THESE INSTRUCTIONS.

TABLE OF CONTENTS

Register Your Product Online.....	3
Safety Information & Warnings	4
Operating Instructions	6
Cleaning & Maintenance.....	8
Troubleshooting.....	9
Limited Manufacturer's Warranty	10

SPECIFICATIONS

MODEL NO.	NGH170GA00
CAPACITY:	5120 BTU's per/Hour
VOLTAGE:	120V/60Hz
CURRENT:	15A
POWER:	1500 Watts
HEATING AREA:	161.45 sqft

REGISTER YOUR PRODUCT ONLINE

Register Your NewAir Product Online Today!

Take advantage of all the benefits product registration has to offer:



Service and Support

Diagnose troubleshooting and service issues faster and more accurately



Recall Notifications

Stay up to date for safety, system updates and recall notifications



Special Promotions

Opt-in for NewAir promotions and offers

Registering your product information online is safe & secure and takes less than 2 minutes to complete:

newair.com/register

Alternatively, we recommend you attach a copy of your sales receipt below and record the following information, located on the manufacturer's nameplate on the rear of the unit. You will need this information if it becomes necessary to contact the manufacturer for service inquiries.

Date of Purchase: _____

Serial Number: _____

Model Number: _____

SAFETY INFORMATION & WARNINGS



PLEASE READ AND SAVE THESE SAFETY INSTRUCTIONS
When using electrical appliances, basic precautions should always be followed to reduce the risk of fire, electrical shock and/or injury, including the following:

- Read all instructions before using this heater.
- This heater is hot when in use. To avoid burns, don't touch the hot surfaces. If possible, use handles when moving this heater. Keep combustible materials such as furniture, pillows, bedding, papers, clothes and curtains at least 3 feet from the heater.
- This product is NOT a toy. Do not leave the heater operating unattended. Extreme caution is necessary when using this appliance around pets or people (including children) with reduced physical, sensory or mental capabilities.
- Always unplug this appliance when not in use.
- Do not operate the heater if the cord or plug is damaged.
- Any repairs to this appliance should be carried out by a qualified service person.
- Under no circumstances should this appliance be modified. Parts that need to be removed for servicing must be replaced prior to operating this appliance again.
- This appliance is not for outdoor use.
- This heater is not intended for use in bathrooms, laundry areas and similar indoor locations. Never locate the heater near water sources, containers or other damp areas where the heater could come in contact with water.
- Do not use this heater in elevated locations such as shelves or raised platforms.
- Do not run the cord under carpeting, throw rugs, runners, or similar coverings. Arrange the cord away from high traffic areas and where it will not be tripped over.
- To disconnect the heater, first turn controls off, then remove the plug from the outlet.

- Only connect to a properly grounded outlet in accordance with local codes, the current CSA C22.0 Canadian Electrical codes or for USA installations, and follow local codes and the National Electric code ANSI/NFPA No. 70.
- Do not insert or allow objects to enter any ventilation opening as this may cause an electrical shock, fire or damage to the heater.
- To prevent a possible fire, do not block air intakes in any manner.
- Do not use this appliance in areas where gasoline, paint or any flammable liquids are used or stored. This appliance should not be used as a drying rack for clothing.
- Use this heater only as described in this manual. Any other use not recommended by the manufacturer may cause fire, electric shock, or injury.
- Always plug heaters directly into a wall outlet/receptacle. Never use with an extension cord or relocatable power strip.
- Do not use this heater with missing, damaged, or broken legs.
- Keep your electric heater clean and the filter free of dust.
- Do not plug any other electrical appliance into the same circuit. Blown fuses, tripped circuits and fire hazards may occur.
- Do not use water or liquids to clean your electric heater.

ALWAYS OBSERVE THESE SAFETY PRECAUTIONS WHEN OPERATING YOUR ELECTRIC HEATER




“SAVE THESE INSTRUCTIONS”



IMPORTANT: Read all instructions and warnings carefully before installation and use. Failure to follow these instructions may result in possible electric shock, injury to persons, fire hazard and will void the warranty.

OPERATING INSTRUCTIONS

Note: When using the heater for the first time, you may notice a slight emission of smoke. This is normal and will stop after a short time. The heating element is made of steel and was coated with a layer of protective oil during production.

Setting	Function
	Unit is off
	Fan Runs – No Heat
	Fan Runs – Full Power Heat

1. Position the fan heater so that it stands on a firm level surface and away from wet locations and flammable objects.
2. Connect the fan heater to the proper electrical power source. See grounding instructions under Safety Information & Warnings.
3. Set the power settings knob to fan or heating position.
4. Set the thermostat dial to the maximum temperature.
5. Once the room reaches the desired temperature, turn the thermostat dial back down until the heating element turns off. The heater will cycle automatically around this present temperature. To increase the temperature, turn the thermostat knob clockwise. To lower the temperature, turn the thermostat counterclockwise.



Electrical outlet wiring must comply with local building codes and other applicable regulations to reduce the risk of fire, electrical shock and injury to persons.

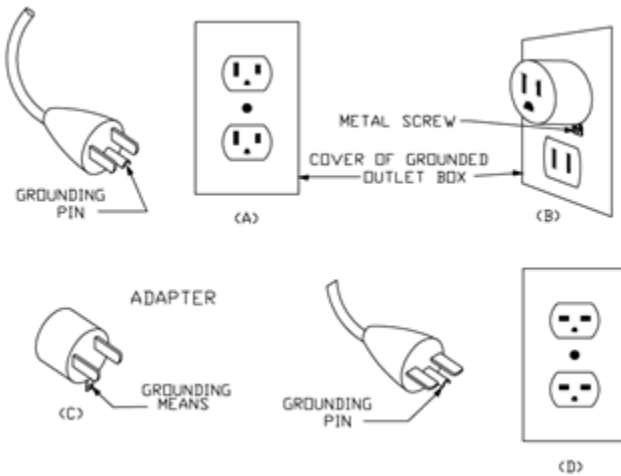


Do not use this appliance if any part of it has been underwater. Immediately call a qualified service technician to inspect the appliance and replace any part of the electrical system which has been underwater.

GROUNDING INSTRUCTIONS:

Make sure the heater is switched OFF before plugging the heater into the outlet. Connect to properly grounded outlets only. Note: The power cord has a polarized plug (with one blade wider than the other) that will only fit in a polarized outlet one way. If it does not insert easily try reversing the plug. If it still does not fit contact your electrician to replace your outlet.

DO NOT defeat the safety purpose of the polarized plug.



OVERHEATING PROTECTION

This heater is equipped with an internal heat limiting thermostat and overheating protection circuit. The system will automatically shut the heater off when a potentially dangerous temperature is reached. Unplug the heater and allow it to cool down for 10 minutes, then restart.

CLEANING & MAINTENANCE

Any electrical repairs or rewiring of this unit should be carried out by a licensed electrician and accordance with national and local codes.

- Before cleaning the appliance, disconnect it from the power outlet and let it cool down.
- In order to protect the enclosure, don't splash water onto the heater, and never use a solvent like gasoline, isoamyl acetate, toluene or something similar to clean the heater.
- **DO NOT** open the heater or attempt to clean the inside of this appliance.

TROUBLESHOOTING

Problem	Possible Causes	Solution
There is no heat or air flow	The heater has no power.	Check the power connection to the heater
	The target temperature has been reached.	Thermostat will shut off heater once desired room temperature is reached
	The fan overheated and the unit is in cooldown mode.	Unplug the heater and allow it to cool down for 10 minutes, then restart.
	The heater is set to "fan only" mode.	Enable heating mode using the setting knob.

LIMITED MANUFACTURER'S WARRANTY

This appliance is covered by a limited manufacturer's warranty. For one year from the original date of purchase, the manufacturer will repair or replace any parts of this appliance that prove to be defective in materials and workmanship, provided the appliance has been used under normal operating conditions as intended by the manufacturer.

Warranty Terms:

During the first year, any components of this appliance found to be defective due to materials or workmanship will be repaired or replaced, at the manufacturer's discretion, at no charge to the original purchaser. The purchaser will be responsible for any removal or transportation costs.

Warranty Exclusions:

The warranty will not apply if damage is caused by any of the following:

- Power failure
- Damage in transit or when moving the appliance
- Improper power supply such as low voltage, defective household wiring or inadequate fuses
- Accident, alteration, misuse or abuse of the appliance such as using non-approved accessories, inadequate air circulation in the room or abnormal operating conditions (extreme temperatures)
- Use in commercial or industrial applications
- Fire, water damage, theft, war, riot, hostility or acts of God such as hurricanes, floods, etc.
- Use of force or damage caused by external influences
- Partially or completely dismantled appliances
- Excess wear and tear by the user

Obtaining Service:

When making a warranty claim, please have the original bill of purchase with purchase date available. Once confirmed that your appliance is eligible for warranty service, all repairs will be performed by a NewAir™ authorized repair facility. The purchaser will be responsible for any removal or transportation costs. Replacement parts and/or units will be new, re-manufactured or refurbished and is subject to the manufacturer's discretion. For technical support and warranty service, please email support@newairusa.com.