

**newair**<sup>®</sup>

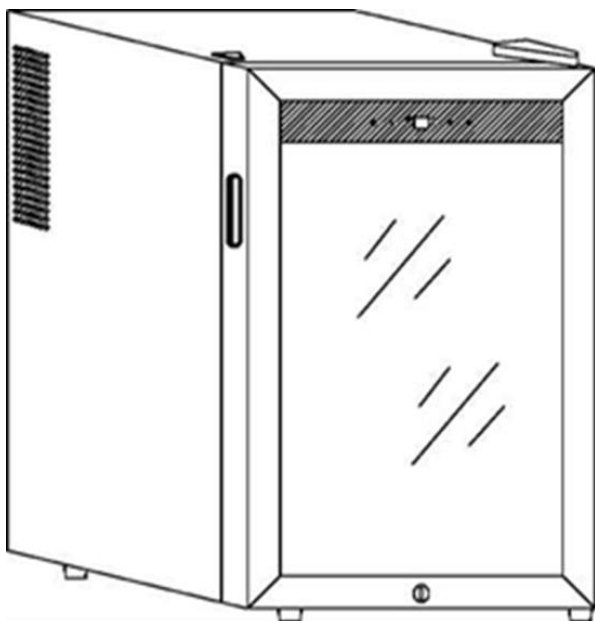
NCH250SS00

## **250 Count Thermoelectric Cigar Humidor**

Humidor Thermoélectrique 250 Unités

Humidor Termoeléctrico para 250

Puros



**OWNER'S MANUAL**

Manuel de L'utilisateur

Manual del Propietario



**Intertek**

Manual v1.1

## LANGUAGE INDEX

English Manual.....	3
Manuel en Français.....	17
Manual en Español.....	31

# A Name You Can Trust

Trust should be earned and we will earn yours. Customer happiness is the focus of our business.

From the factory to the warehouse, from the sales floor to your home, the whole Newair family promises to provide you with innovative products, exceptional service, and support when you need it the most.

## Count on Newair

As a proud Newair owner, welcome to our family. There are no robots here, real people shipped your product and real people are here to help you.

## Contact Us

Please reach out to our customer service team before making a return to your store of purchase. We are happy to help with any questions or concerns!

Mon-Fri from 8-4 PST at:

**Call:** 1-855-963-9247  
**Email:** [support@newair.com](mailto:support@newair.com)  
**Online:** [www.newair.com](http://www.newair.com)

A team member will respond to you within 24 hours.

## Follow Us



Facebook.com/newairusa



Instagram.com/newairusa



YouTube.com/newairusa



Twitter.com/newairusa

# READ AND SAVE THESE INSTRUCTIONS

## TABLE OF CONTENTS

Specifications .....	5
Register your product online .....	6
Safety information & warnings .....	7
Parts list .....	8
Electrical diagram .....	8
Assembly & installation .....	9
Installing Your Cigar Humidor .....	10
Factory Odor Removal.....	10
Operating Instructions .....	11
Seasoning Your Cigar Humidor.....	11
Turning On Your Cigar Humidor.....	12
How to set temperature: .....	12
Cigar Storage Guide.....	13
Cleaning & maintenance.....	14
Cleaning your cigar cabinet.....	14
Transporting the cabinet .....	14
Disposal.....	14
Troubleshooting.....	15
Limited manufacturer's warranty .....	16

## SPECIFICATIONS

<b>MODEL NO.</b>	NCH250SS00
<b>CAPACITY:</b>	1.16 Cu. Ft.
<b>VOLTAGE:</b>	110-120V
<b>CURRENT:</b>	60W / 0.8A
<b>FREQUENCY:</b>	60Hz
<b>TEMPERATURE CONTROL RANGE:</b>	52 - 74°F
<b>NET WEIGHT:</b>	26.5 lbs.

## REGISTER YOUR PRODUCT ONLINE

### Register Your Newair Product Online Today!

Take advantage of all the benefits product registration has to offer:



#### Service and Support

Diagnose troubleshooting and service issues faster and more accurately



#### Recall Notifications

Stay up to date for safety, system updates and recall notifications



#### Special Promotions

Opt-in for Newair promotions and offers

Registering your product information online is safe & secure and takes less than 2 minutes to complete:

[newair.com/register](https://newair.com/register)

Alternatively, we recommend you attach a copy of your sales receipt below and record the following information, located on the manufacturer's nameplate on the rear of the unit. You will need this information if it becomes necessary to contact the manufacturer for service inquiries.

**Date of Purchase:** \_\_\_\_\_

**Serial Number:** \_\_\_\_\_

**Model Number:** \_\_\_\_\_

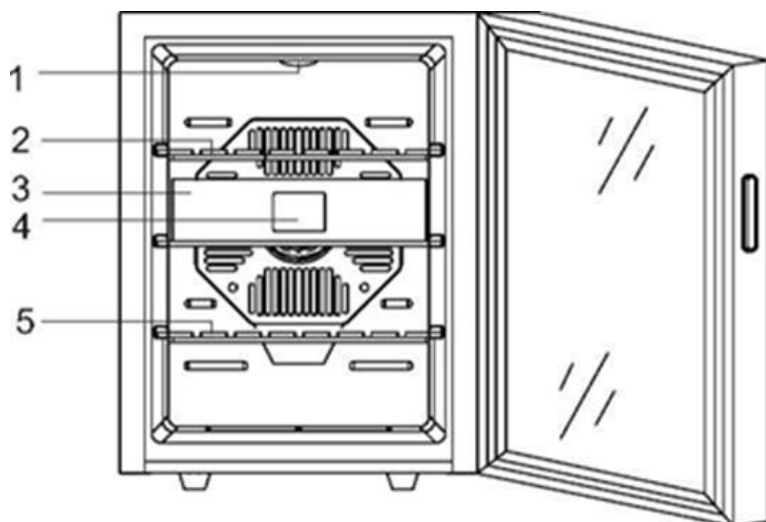
## SAFETY INFORMATION & WARNINGS



To reduce the risk of electric shock or injury when using your appliance, follow these basic precautions:

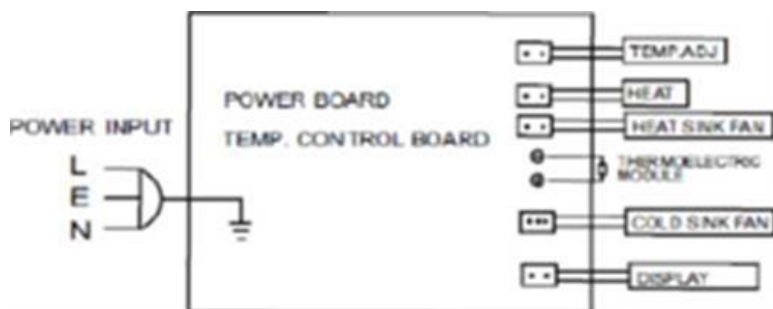
- Read all instructions before using this cigar humidor cabinet.
- Never allow children to operate or play with this appliance.
- Never clean appliance parts with flammable fluids. The fumes can create a fire hazard or explosion.
- Do not store or use any flammable vapors and liquids in the vicinity of this appliance. The fumes can create a fire hazard or explosion.
- This appliance is not intended for food storage.
- This appliance is not intended for use by people (including children) with reduced physical, sensory or mental capabilities, lack of experience or knowledge of its operation, unless well instructed or under supervision of a person responsible for their safety.

## PARTS LIST



1. LED Light
2. Cedar Wood Tray
3. Cedar Wood Drawer
4. Hygrometer
5. Cedar Wood Tray

## ELECTRICAL DIAGRAM





## ASSEMBLY & INSTALLATION



**Before connecting the appliance to a power source, let it stand upright for approximately 2 hours.** This will reduce the possibility of a malfunction in the cooling system from handling during transportation.

### **Before using your cigar humidor, complete the following steps:**

- Remove all exterior and interior packaging
- Make sure the following parts are included:
  - 3 wood shelves.
  - 1 Instruction manual.

Before operating your cigar humidor for the first time, follow these steps:

1. Clean the interior surface with lukewarm water using a soft cloth.
2. Place your appliance on a flat surface strong enough to support the appliance when it is fully loaded. To level your humidor, adjust the front legs at the bottom of the appliance.
3. Ensure the cabinet is located away from direct sunlight and sources of heat (i.e.: stove, heater, radiator, etc.). Direct sunlight may affect its acrylic coating. Extreme cold or hot ambient room temperatures may also cause the appliance to not perform properly and/or increase electrical consumption.
4. The appliance is intended for indoor use only.

**CAUTION:** Please keep the cabinet away from combustible materials or substances.

### **Grounding instructions:**

The cigar humidor must be grounded in case of wire leakage. Grounding reduces the risk of electrical shock. The cigar humidor is equipped with a power cord having a grounding wire and plug. The cigar humidor plug must be plugged into a properly affixed and grounded electrical outlet.

Improper use of the grounding plug can result in the risk of electric shock. Consult a qualified electrician or service person if the grounding instructions are not completely understood.

---

## INSTALLING YOUR CIGAR HUMIDOR

Unpack and remove all the protection and adhesive strips from the packaging around and inside the cigar humidor.

The cigar humidor must be positioned such that the plug is accessible. The cigar humidor should be installed in a suitable place where the compressor will not be subject to physical contact.

**Leveling your cigar humidor:** cigar humidor must be leveled BEFORE loading your cigar.

Your cigar humidor is equipped with 4 adjustable feet to facilitate easy leveling. It is recommended that you tighten the back feet to the maximum and adjust the front feet to level the cigar humidor.

---

## FACTORY ODOR REMOVAL

Wash the interior of the humidor with a mild detergent and warm water. Make sure to not get the wood wet. Leave the door open and allow it to air dry thoroughly. If a “plastic” smell persists, place a dish of baking soda in the unit or stuff the humidor with newspapers overnight. When finished, let the unit run a full day to complete the airing out process.

If the supply cord is damaged, it must be replaced by a qualified person in order to avoid electrical hazard.

## OPERATING INSTRUCTIONS

It is recommended that you setup the cigar cabinet in a place where the ambient temperature is between 50 - 77°F. If the ambient temperature is above or below recommended temperatures, the performance of the unit may be affected. For example, placing in extreme cold or hot conditions may cause the interior temperature to fluctuate or not reach the appliance's range.

The temperature may fluctuate depending on whether the interior light is on or off or how cigars are placed on the upper, middle, or lower section.

---

### SEASONING YOUR CIGAR HUMIDOR

It is best to season your wood shelves and drawers before adding your cigars so that the wood is at an ideal relative humidity (RH) and does not absorb humidity from your cigars. To season your new cigar humidor:

1. Add distilled water to the included moisture container or add a sponge that is damp with distilled water. Make sure that the water is not touching the wood directly or this may damage the wood.
2. Allow the moisture container, or other humidity-adding device, to sit in the humidor until it reaches a relative humidity of 5% higher than your preferred level. This process may take as long as 3 days but is the best way to ensure your cigars stay optimal.
3. Once the humidor reaches this mark, you can begin to add cigars. You may add a few at a time in order to monitor the RH and make sure it stays at a level you want it at. If it drops too much, you can use the same seasoning method to bring it back up.

**NOTE:** During this entire process, it is recommended to not open the door unnecessarily, as this lets moisture escape and can delay the process.

---

## TURNING ON YOUR CIGAR HUMIDOR

Plug in and switch on the appliance by pressing on the power button for 3 seconds.

When you use the cigar humidor for the first time (or restart the cigar humidor after having it shut off for a long time), there will be a few degrees variance between the temperature you have selected and the one indicated on the LED readout. This is normal and it is due to the length of the activation time. Once the cigar humidor is running for a few hours everything will stabilize.

**IMPORTANT:** If the unit is unplugged, power is lost or turned off, wait 3 to 5 minutes before restarting the unit. The cigar humidor will not start if you attempt to restart before this time delay.

### Operating Noises





To reach the desired temperature settings, our cigar humidor, like all cigar humidors operating with compressors and fans, may produce the following types of noises. **These noises are normal and may occur as follows:**

- Gurgling sound - caused by the refrigerant flowing through the appliance's coils.
- Cracking/popping sounds - resulting from the contraction and expansion of the refrigerant gas to produce cold.
- Fan operating sound - to circulate the air within the cigar humidor.

---

## HOW TO SET TEMPERATURE:

There are four touch-buttons on the control panel:

-   increases or decreases the set temperature by 1 degree (temp range is 52 - 74°F).
-  button turns on or off the interior light.
-  selects temperature display setting Fahrenheit or Celsius.

**Note:** This product is designed to operate in rooms with an ambient temperature range of 68-77°F and the internal temperature may only increase by a maximum of 3°F in comparison to the surrounding temperature.

E.g., If you live in a predominantly cold area with an ambient temperature of 68°F then the maximum internal temperature the unit can reach is 71°F.

A built-in cooling system can be used to set the internal temperature as low as 52°F.

---

## CIGAR STORAGE GUIDE

- The ideal temperature for storing cigars is between 65° and 73°F.
- The ideal relative humidity (RH) for storing cigars is between 65% and 75% RH. To properly maintain RH in this unit, you will need to include a method of adding humidity. For your convenience, a moisture container is included.
- To add humidity to the unit using the included moisture container, simply fill the container with distilled water or a damp sponge wet with distilled water and place it back in the unit. Please note this water should be changed after reaching the desired humidity and refilled when used again.
- Keep cigars out of direct sunlight to avoid exposure to damaging UV rays.
- It is recommended to keep cigars in their original boxes and packaging as long as possible. Keep unwrapped cigars separate in your humidor to avoid unwanted mingling of flavors.
- Check cigars regularly for signs of tobacco beetles and mold, and take preventative measures if necessary.
- Properly stored cigars can improve with age for as long as 5-10 years, and can be kept even longer in ideal conditions.

## CLEANING & MAINTENANCE

### CLEANING YOUR CIGAR CABINET

To clean your cigar cabinet:

- Unplug the cigar humidor and remove its contents and trays.
- Clean the inside with a warm water and baking soda solution, about 2 tablespoons of baking soda to a quart of water.
- The outside of the cigar humidor should be cleaned with mild detergent and warm water.
- Take out the water reservoir and clean with warm water.

### TRANSPORTING THE CABINET

- Remove all contents and sliding shelves.
- Secure all loose items inside the unit.
- Adjust the leveling legs up to the base to avoid damage.
- Secure door shut.
- Be sure the cigar humidor stays in an upright position during transportation.

### DISPOSAL

1. Please remove the door before disposal of this appliance.
2. Do not dispose of this product as unsorted municipal waste. Collection of such waste should be treated separately. Flammable insulation and or gases should be disposed appropriately. Take the cabinet to a recycling plant.

## TROUBLESHOOTING

You can resolve most common usage problems easily by reviewing and following the troubleshooting information below.

<b>Problem</b>	<b>Possible Causes</b>
<b>Cigar cabinet does not operate.</b>	<ul style="list-style-type: none"> <li>• Not plugged in using different voltage. The circuit breaker tripped or there is a blown fuse.</li> </ul>
<b>Cigar cabinet is not cold enough.</b>	<ul style="list-style-type: none"> <li>• Check the temperature control setting.</li> <li>• Room temperature is too warm.</li> <li>• The door is opened too often.</li> <li>• The door is not closed completely.</li> <li>• The door seal is not working properly.</li> <li>• The humidor does not have the correct clearance.</li> </ul>
<b>The light does not work.</b>	<ul style="list-style-type: none"> <li>• Check with your service center.</li> </ul>
<b>Vibration.</b>	<ul style="list-style-type: none"> <li>• Adjust the front feet to securely level the appliance.</li> </ul>
<b>The cigar humidor makes too much noise</b>	<ul style="list-style-type: none"> <li>• The cabinet is not level.</li> <li>• Check the fan.</li> </ul>
<b>The door will not close properly.</b>	<ul style="list-style-type: none"> <li>• The cabinet is not level.</li> <li>• The doors were reversed and improperly installed.</li> <li>• The seal is weak.</li> </ul>
<b>LED could not display.</b>	<ul style="list-style-type: none"> <li>• Main control board does not work.</li> <li>• PCB Problem.</li> <li>• Electrical cord problem.</li> </ul>
<b>LED display error.</b>	<ul style="list-style-type: none"> <li>• Display panel problem.</li> <li>• Temperature point is off.</li> </ul>
<b>Cooling system not functional.</b>	<ul style="list-style-type: none"> <li>• Temperature controller panel is damaged.</li> </ul>

## LIMITED MANUFACTURER'S WARRANTY

This appliance is covered by a limited manufacturer's warranty. For one year from the original date of purchase, the manufacturer will repair or replace any parts of this appliance that prove to be defective in materials and workmanship, provided the appliance has been used under normal operating conditions as intended by the manufacturer.

### **Warranty Terms:**

During the first year, any components of this appliance found to be defective due to materials or workmanship will be repaired or replaced, at the manufacturer's discretion, at no charge to the original purchaser. The purchaser will be responsible for any removal or transportation costs.

### **Warranty Exclusions:**

The warranty will not apply if damage is caused by any of the following:

- Power failure
- Damage in transit or when moving the appliance
- Improper power supply such as low voltage, defective household wiring or inadequate fuses
- Accident, alteration, misuse or abuse of the appliance such as using non-approved accessories, inadequate air circulation in the room or abnormal operating conditions (extreme temperatures)
- Use in commercial or industrial applications
- Fire, water damage, theft, war, riot, hostility or acts of God such as hurricanes, floods, etc.
- Use of force or damage caused by external influences
- Partially or completely dismantled appliances
- Excess wear and tear by the user

### **Obtaining Service:**

When making a warranty claim, please have the original bill of purchase with the purchase date available. Once confirmed that your appliance is eligible for warranty service, all repairs will be performed by a NewAir™ authorized repair facility. The purchaser will be responsible for any removal or transportation costs. Replacement parts and/or units will be new, re-manufactured or refurbished and is subject to the manufacturer's discretion. For technical support and warranty service, please email [support@newairusa.com](mailto:support@newairusa.com).



# Un nom de confiance

La confiance doit être gagnée et nous allons mériter la vôtre. La satisfaction du client est notre priorité.

De l'usine à l'entrepôt et de la surface de vente à votre domicile, les fabricants des produits Newair font la promesse de vous fournir des produits novateurs, un service exceptionnel et un soutien au moment où vous en avez le plus besoin.

## **Vous pouvez compter sur Newair**

En votre qualité de fier propriétaire d'un produit Newair, nous vous souhaitons la bienvenue dans notre famille. Notre entreprise n'utilise aucun robot, uniquement de véritables personnes pour vous livrer votre produit et de véritables personnes pour vous aider.

## **Contactez-nous**

Veillez contacter notre équipe du service client avant de faire un retour dans votre magasin d'achat. Nous sommes heureux de répondre à toutes vos questions ou préoccupations!

Contactez-nous du lundi au vendredi de 8h à 4h HNP au:

**Téléphone :** 1 855 963-9247  
**Courriel :** support@newair.com  
**En ligne :** www.newair.com

Un membre de l'équipe vous répondra dans les 24 heures.

## **Suivez-nous :**



Facebook.com/newairusa



Instagram.com/newairusa



YouTube.com/newairusa



Twitter.com/newairusa

# LISEZ ET CONSERVEZ CES INSTRUCTIONS

## TABLE DES MATIÈRES

Caractéristiques .....	19
Enregistrer votre produit en ligne.....	20
Consignes de sécurité et mises en garde .....	21
Liste des pièces .....	22
Schéma électrique .....	22
Assemblage et installation .....	23
Installation de votre humidor à cigares .....	23
Élimination des Odeurs de L'usine.....	23
Mode d'emploi.....	24
Assaisonnement de Votre Cave a Cigares.....	24
Allumer votre humidor cigare.....	25
Réglages de température.....	26
Comment régler la température:.....	24
Guide de Conservation des Cigares.....	27
Nettoyage et entretien .....	28
Nettoyer votre armoire à cigares.....	28
Transport de l'armoire .....	28
Disposition .....	28
Dépannage .....	29
Garantie limitée du fabricant.....	30

**CARACTÉRISTIQUES**

<b>NUMÉRO DE MODÈLE</b>	NCH250SS00
<b>CAPACITÉ:</b>	1,16 Pi. Cu.
<b>TENSION:</b>	110-120V
<b>COURANT:</b>	60W / 0,8A
<b>FRÉQUENCE:</b>	60Hz
<b>GAMME DE CONTRÔLE DE LA TEMPÉRATURE:</b>	52 à 74°F
<b>POIDS NET:</b>	26,5 livres

## ENREGISTRER VOTRE PRODUIT EN LIGNE

### Enregistrer votre produit Newair en ligne dès aujourd'hui!

Profitez de tous les avantages de l'enregistrement de votre produit :



#### Services et soutien

Faites un diagnostic des problèmes d'utilisation et de service plus rapidement et plus efficacement



#### Avis de rappel

Restez à l'affût des mises à jour du système et de sécurité, et des avis de rappel



#### Promotions spéciales

Abonnez-vous pour recevoir les promotions et offres de Newair

Enregistrer l'information relative à votre produit en ligne est sécuritaire et prendra moins de 2 minutes :

[newair.com/register](https://newair.com/register)

Alternativement, nous vous recommandons de joindre une copie de votre reçu de vente ci-dessous et de noter les informations suivantes, situées sur la plaque signalétique du fabricant à l'arrière de l'appareil. Vous aurez besoin de ces informations pour contacter le fabricant pour des demandes de service.

**Date d'Achat:** \_\_\_\_\_

**Numéro De Série:** \_\_\_\_\_

**Numéro De Modèle:** \_\_\_\_\_

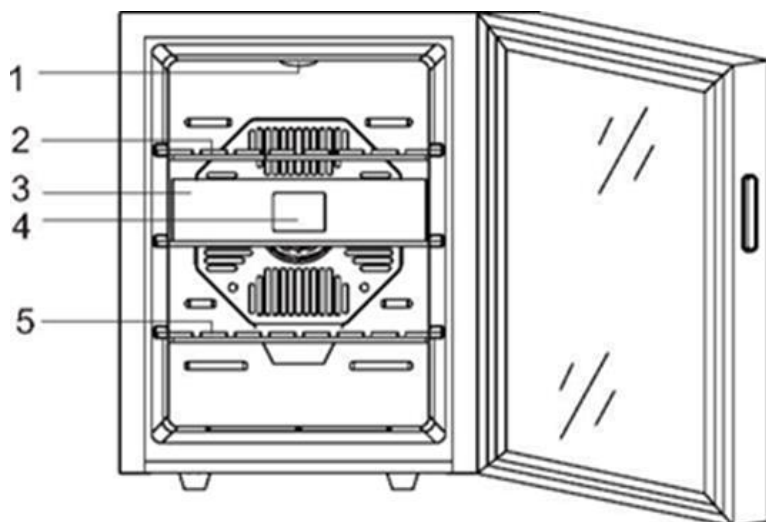
## CONSIGNES DE SÉCURITÉ ET MISES EN GARDE



Pour réduire le risque de choc électrique ou de blessure lors de l'utilisation de votre appareil, suivez ces précautions de base:

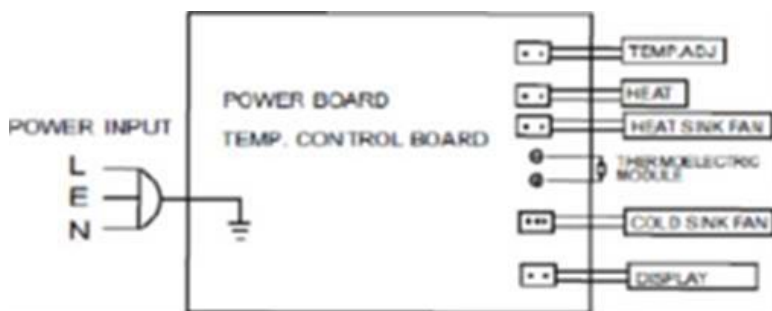
- Lisez toutes les instructions avant d'utiliser ce humidor.
- Ne laissez jamais des enfants utiliser ou jouer avec cet appareil.
- Ne nettoyez jamais les pièces de l'appareil avec des liquides inflammables. Les fumées peuvent créer un risque d'incendie ou d'explosion.
- Ne pas ranger ni utiliser de vapeurs et liquides inflammables à proximité de cet appareil. Les fumées peuvent créer un risque d'incendie ou d'explosion.
- Cet appareil n'est pas destiné au rangement des aliments.
- Cet appareil n'est pas destiné à être utilisé par des personnes (y compris des enfants) ayant des capacités physiques, sensorielles ou mentales réduites, un manque d'expérience ou de connaissance de son fonctionnement, à moins d'être bien instruites ou sous la supervision d'une personne responsable de leur sécurité.

## LISTE DES PIÈCES



1. Lumière DEL
2. Plateau En Bois De Cèdre
3. Tiroir En Bois De Cèdre
4. Hygromètre
5. Plateau En Bois De Cèdre

## SCHÉMA ÉLECTRIQUE



## ASSEMBLAGE ET INSTALLATION



**Avant de connecter l'appareil à une source d'alimentation, laissez-le reposer debout pendant environ 2 heures.** Cela réduira la possibilité d'un mauvais fonctionnement du système de refroidissement dû à la manipulation pendant le transport.

**Avant d'utiliser votre humidor, procédez comme suit:**

Retirez tous les emballages extérieurs et intérieurs

Assurez-vous que les pièces suivantes sont incluses:

- 3 étagères en bois.
- 1 manuel d'instructions.

Avant d'utiliser votre humidor pour la première fois, procédez comme suit:

1. Nettoyez la surface intérieure à l'eau tiède à l'aide d'un chiffon doux.
2. Placez votre appareil sur une surface plane suffisamment solide pour supporter l'appareil lorsqu'il est complètement chargé. Pour mettre votre humidor à niveau, ajustez les pieds avant en bas de l'appareil.
3. Assurez-vous que l'armoire est éloignée des rayons directs du soleil et des sources de chaleur (c.-à-d. cuisinière, chauffrette, radiateur, etc.). La lumière directe du soleil peut affecter son revêtement acrylique. Des températures ambiantes extrêmement froides ou chaudes peuvent également empêcher l'appareil de fonctionner correctement et / ou augmenter la consommation électrique.
4. L'appareil est destiné à un usage intérieur uniquement.

**MISE EN GARDE:** Veuillez garder l'armoire éloigné des matériaux ou substances combustibles.

### ÉLIMINATION DES ODEURS DE L'USINE

Lavez l'intérieur de la cave à cigares avec un détergent doux et de l'eau tiède. Assurez-vous de ne pas mouiller le bois. Laissez la porte ouverte et laissez-la sécher complètement à l'air. Si une odeur de "plastique" persiste, placez un plat de bicarbonate de soude dans l'unité ou remplissez la cave à cigares de journaux pendant la nuit. Une fois terminé, laissez l'unité fonctionner une journée complète pour terminer le processus d'aération.

Si le cordon d'alimentation est endommagé, il doit être remplacé par une personne qualifiée afin d'éviter tout risque électrique.

## MODE D'EMPLOI

Il est recommandé d'installer la cave à cigares dans un endroit où la température ambiante est comprise entre 50 et 77°F. Si la température ambiante est supérieure ou inférieure aux températures recommandées, les performances de l'unité peuvent être affectées. Par exemple, le placement dans des conditions extrêmement froides ou chaudes peut faire fluctuer la température intérieure ou ne pas atteindre la gamme de l'appareil.

La température peut fluctuer selon que la lumière intérieure est allumée ou éteinte ou comment les cigares sont placés sur la partie supérieure, médiane ou inférieure.

## ASSAISONNEMENT DE VOTRE CAVE A CIGARES

Il est préférable d'assaisonner vos étagères et tiroirs en bois avant d'ajouter vos cigares afin que le bois soit à une humidité relative (HR) idéale et n'absorbe pas l'humidité de vos cigares. Pour assaisonner votre nouvelle cave à cigares:

1. Ajoutez de l'eau distillée dans le récipient d'humidité inclus ou ajoutez une éponge humide avec de l'eau distillée. Assurez-vous que l'eau ne touche pas directement le bois ou cela pourrait endommager le bois.
2. Laissez le réservoir d'humidité, ou tout autre dispositif d'ajout d'humidité, reposer dans la cave à cigares jusqu'à ce qu'il atteigne une humidité relative de 5 % supérieure à votre niveau préféré. Ce processus peut prendre jusqu'à 3 jours, mais c'est le meilleur moyen de garantir que vos cigares restent optimaux.
3. Une fois que la cave à cigares atteint cette marque, vous pouvez commencer à ajouter des cigares. Vous pouvez en ajouter quelques-uns à la fois afin de surveiller l'HR et de vous assurer qu'elle reste au niveau que vous voulez. Si elle tombe trop, vous pouvez utiliser la même méthode d'assaisonnement pour la faire remonter.



**REMARQUE:** Pendant tout ce processus, il est recommandé de ne pas ouvrir la porte inutilement, car cela laisse l'humidité s'échapper et peut retarder le processus.

---

## ALLUMER VOTRE HUMIDOR CIGARE

Branchez et allumez l'appareil en appuyant sur le bouton d'alimentation **pendant 3 secondes**.

Lorsque vous utilisez l'humidor à cigares pour la première fois (ou redémarrez l'humidor à cigares après l'avoir arrêté pendant une longue période), il y aura un écart de quelques degrés entre la température que vous avez sélectionnée et celle indiquée sur l'affichage DEL. Ceci est normal et est dû à la durée du temps d'activation. Une fois que l'humidor à cigares fonctionnera pendant quelques heures, tout se stabilisera.

**IMPORTANT:** Si l'unité est débranchée, l'alimentation est coupée ou fermée, attendez 3 à 5 minutes avant de redémarrer l'unité. L'humidor à cigares ne démarrera pas si vous essayez de redémarrer avant ce délai.

### Bruits de Fonctionnement

Pour atteindre les réglages de température désirés, notre humidor à cigares, comme toutes les humidors à cigares fonctionnant avec des compresseurs et des ventilateurs, peut produire les types de bruits suivants. **Ces bruits sont normaux et peuvent se produire comme suit:**

- Bruit de gargouillis - causé par le gaz réfrigérant circulant dans les serpentins de l'appareil.
- Bruits de craquements / claquements - résultant de la contraction et de la dilatation du gaz réfrigérant pour produire du froid.
- Bruit de fonctionnement du ventilateur - pour faire circuler l'air dans l'humidor à cigares.





## RÉGLAGES DE TEMPÉRATURE

- Lorsque vous allumez votre cave à cigares pour la première fois, le panneau de contrôle de la température à LED affiche par défaut la température réelle de l'air interne.
- Cette cave à cigares est dotée d'une fonction mémoire. En cas de coupure de courant, tous les réglages de température précédents sont automatiquement rétablis et l'appareil revient à un réglage de température préréglé.
- Il existe une différence entre la température de l'air à l'intérieur de la cave à cigares et la température réelle du cigare: Vous devrez attendre environ 12 heures avant de remarquer les effets du réglage de la température dus à la masse critique dans une cave à cigares pleine.
- Une fois la température réglée, il est fortement déconseillé de la régler fréquemment. Le thermostat maintiendra la température à l'intérieur de la cave à cigares dans une plage de +/- 2,5 °F, mais la température réelle du cigare ne fluctuera que de 0,5 °F à 1 °F.

Les cigares correctement conservés peuvent s'améliorer avec l'âge jusqu'à 5 à 10 ans et peuvent être gardés encore plus longtemps dans des conditions idéales.

## COMMENT RÉGLER LA TEMPÉRATURE:

Il y a quatre boutons tactiles sur le panneau de commande:

-   Augmente ou diminue la température réglée par 1 degré (la gamme de température est de 52 à 74°F).
-  Bouton allume ou éteint l'éclairage intérieur.
-  Sélectionne le paramètre d'affichage de la température Fahrenheit ou Celsius.

**Remarque :** Ce produit est conçu pour fonctionner dans des pièces avec une température ambiante entre 68-77°F pour maintenir la gamme de température conçue entre 52 et 74°F.

## GUIDE DE CONSERVATION DES CIGARES

- La température idéale pour garder les cigares se situe entre 65° et 73°F.
- L'humidité relative (HR) idéale pour le rangement des cigares se situe entre 65% et 75% HR. Pour maintenir correctement l'humidité relative dans cette unité, vous devrez inclure une méthode d'ajout d'humidité. Pour votre commodité, un conteneur d'humidité est inclus.
- Pour ajouter de l'humidité à l'unité à l'aide du réservoir d'humidité inclus, remplissez simplement le réservoir d'eau distillée ou d'une éponge humide imbibée d'eau distillée et remettez-le dans l'unité. Veuillez noter que cette eau doit être changée après avoir atteint l'humidité désirée et remplie à nouveau lorsqu'elle est utilisée à nouveau.
- Gardez les cigares à l'abri de la lumière directe du soleil pour éviter l'exposition aux rayons UV nocifs.
- Il est recommandé de garder les cigares dans leurs boîtes et emballages d'origine le plus longtemps possible. Gardez les cigares non emballés séparés dans votre cave à cigares pour éviter tout mélange indésirable de saveurs.
- Vérifiez régulièrement les cigares pour détecter les signes de coléoptères du tabac et de moisissures, et prenez des mesures préventives si nécessaire.
- Les cigares correctement conservés peuvent s'améliorer avec l'âge jusqu'à 5 à 10 ans et peuvent être gardés encore plus longtemps dans des conditions idéales.

## NETTOYAGE ET ENTRETIEN

### NETTOYER VOTRE ARMOIRE À CIGARES

Pour nettoyer votre armoire à cigares:

- Débranchez l'humidor et retirez son contenu et ses plateaux.
- Nettoyez l'intérieur avec une solution d'eau tiède et de bicarbonate de soude, environ 2 cuillères à soupe de bicarbonate de soude pour un litre d'eau.
- L'extérieur de l'humidor doit être nettoyé avec un détergent doux et de l'eau tiède.
- Retirez le réservoir d'eau et nettoyez-le à l'eau tiède.

### TRANSPORT DE L'ARMOIRE

- Retirez tout le contenu et les étagères coulissantes.
- Fixez tous les objets en vrac à l'intérieur de l'unité.
- Ajustez les pieds de mise à niveau jusqu'à la base pour éviter tout dommage.
- Fermez la porte.
- Assurez-vous que l'humidor reste en position verticale pendant le transport.

### DISPOSITION

1. Veuillez enlever la porte avant de jeter cet appareil.
2. Ne jetez pas ce produit avec les déchets municipaux non triés. La collecte de ces déchets doit être traitée séparément. L'isolation et / ou les gaz inflammables doivent être éliminés de manière appropriée. Apportez l'armoire à une usine de recyclage.

## DÉPANNAGE

Vous pouvez résoudre facilement les problèmes d'utilisation les plus courants en consultant et en suivant les informations de dépannage ci-dessous.

Problème	Causes Possibles
<b>L'armoire à cigares ne fonctionne pas.</b>	<ul style="list-style-type: none"> <li>• Non branché en utilisant une tension différente. Le disjoncteur s'est déclenché ou il y a un fusible grillé.</li> </ul>
<b>L'armoire à cigares n'est pas assez froide.</b>	<ul style="list-style-type: none"> <li>• Vérifiez le réglage du contrôle de la température.</li> <li>• La température ambiante est trop chaude.</li> <li>• La porte est ouverte trop souvent.</li> <li>• La porte n'est pas complètement fermée.</li> <li>• Le joint de porte ne fonctionne pas correctement.</li> <li>• L'humidor n'a pas le dégagement correct.</li> </ul>
<b>La lumière ne fonctionne pas.</b>	<ul style="list-style-type: none"> <li>• Vérifiez auprès de votre centre de service.</li> </ul>
<b>Vibration.</b>	<ul style="list-style-type: none"> <li>• Réglez les pieds avant pour bien mettre l'appareil à niveau.</li> </ul>
<b>L'humidor fait trop de bruit</b>	<ul style="list-style-type: none"> <li>• L'armoire n'est pas de niveau.</li> <li>• Vérifiez le ventilateur.</li> </ul>
<b>La porte ne se ferme pas correctement.</b>	<ul style="list-style-type: none"> <li>• L'armoire n'est pas de niveau.</li> <li>• Les portes ont été inversées et mal installées.</li> <li>• Le joint est faible.</li> </ul>
<b>La DEL n'a pas pu s'afficher.</b>	<ul style="list-style-type: none"> <li>• Le tableau de commande principal ne fonctionne pas.</li> <li>• Problème de circuit imprimé.</li> <li>• Problème de cordon électrique.</li> </ul>
<b>Erreur d'affichage DEL.</b>	<ul style="list-style-type: none"> <li>• Problème de panneau d'affichage.</li> <li>• Le point de température est désactivé.</li> </ul>
<b>Système de refroidissement non fonctionnel.</b>	<ul style="list-style-type: none"> <li>• Le panneau du contrôleur de température est endommagé.</li> </ul>

## GARANTIE LIMITÉE DU FABRICANT

Cet appareil est couvert par la garantie limitée du fabricant. Pour une période d'un an à compter de la date d'achat, le fabricant réparera ou remplacera les pièces de cet appareil qui s'avèreraient défectueuses en raison de vices de matériaux ou de main-d'œuvre, pourvu que l'appareil ait été utilisé dans des conditions normales recommandées par le fabricant.

### Conditions de la garantie :

Au cours de la première année, toutes les composantes de l'appareil défectueuses en raison d'un vice de matière ou de fabrication seront réparées ou remplacées gratuitement, à la discrétion du fabricant. L'acheteur devra assumer les frais de déplacement ou de transport.

### Exclusions de la garantie :

La garantie ne s'applique pas si des dommages sont survenus pour les raisons suivantes :

- Panne de courant
- Dommages pendant le transport ou le déplacement de l'appareil
- Une mauvaise alimentation en courant comme une basse tension, un câblage défectueux ou des fusibles inadaptés
- Un incident, une altération, une mauvaise utilisation ou un abus de l'usage de l'appareil comme l'utilisation d'accessoires non agréés, une circulation d'air insuffisante dans la pièce ou des conditions d'utilisation anormales (températures extrêmes)
- Utilisation dans des applications commerciales ou industrielles
- Incendie, dégâts d'eau, vol, guerre, émeute, hostilité ou catastrophes naturelles comme les ouragans, inondations, etc.
- Utilisation de la force ou dommages causés par des influences extérieures
- Appareils partiellement ou complètement désassemblés
- Usure excessive par l'utilisateur

### Pour obtenir des services :

Pour invoquer la garantie, veuillez avoir la facture d'achat originale indiquant la date d'achat. Après avoir reçu la conformation que votre appareil est admissible à la garantie, toutes les réparations doivent être effectuées par un atelier de réparation Newair™ agréé. L'acheteur devra assumer les frais de déplacement ou de transport. Les pièces ou appareils de remplacement seront à l'état neuf, reconditionnés ou remis à neuf et sont assujettis à la discrétion du fabricant. Pour obtenir un soutien technique et un service sous garantie, veuillez envoyer un courriel à [support@newair.com](mailto:support@newair.com)

# Un Nombre en el que Puedes Confiar

La confianza debe ganarse y nosotros nos ganaremos la suya. La felicidad del cliente es el centro de nuestro negocio.

Desde la fábrica hasta el almacén, desde el piso de ventas hasta su hogar, toda la familia Newair se compromete a brindar productos innovadores, un servicio excepcional y asistencia cuando más lo necesite.

## Cuente con Newair

Como orgulloso propietario de Newair, bienvenido a nuestra familia. Aquí no hay robots, personas reales enviaron su producto y personas reales están aquí para ayudarlo.

## Contáctenos

Por favor contacte a nuestro equipo de atención a clientes antes de realizar una devolución de producto. Estaremos felices de poder ayudar con cualquier pregunta o duda.

Lun-Vie de 8-4 (Hora del Pacífico)

**Llame:** 1-855-963-9247  
**Email:** [support@newair.com](mailto:support@newair.com)  
**En Línea:** [www.newair.com](http://www.newair.com)

Un miembro de nuestro equipo le responderá dentro de un lapso de 24 hrs.

## Síguenos:



[Facebook.com/newairusa](https://www.facebook.com/newairusa)



[Instagram.com/newairusa](https://www.instagram.com/newairusa)



[YouTube.com/newairusa](https://www.youtube.com/newairusa)



[Twitter.com/newairusa](https://www.twitter.com/newairusa)

# LEA Y GUARDE ESTAS INSTRUCCIONES

## INDICE

Especificaciones Técnicas .....	33
Registre su Producto en Línea .....	34
Advertencias e Información de Seguridad .....	35
Lista de Piezas .....	36
Diagrama Eléctrico .....	36
Instalación .....	37
Remover Olores de Fabrica.....	37
Instrucciones de Uso.....	38
Encender su Humidificador de Puros.....	38
Preparar su Humidificador de Puros.....	39
Configuración de la Temperatura .....	39
Recomendaciones para Conservar sus Puros.....	40
Limpieza y Mantenimiento .....	41
Limpieza de su Humidificador .....	41
Transporte del Humidificador .....	41
Como Desechar su Humidificador.....	41
Solución de Problemas.....	42
Garantía del Fabricante .....	43



## ESPECIFICACIONES TÉCNICAS

<b>NUM. DE MODELO:</b>	NCH250SS00
<b>CAPACIDAD:</b>	1.16 Pies Cúbicos
<b>VOLTAJE:</b>	110-120V
<b>CORRIENTE:</b>	60W / 0.8A
<b>FRECUENCIA:</b>	60Hz
<b>CONTROL DEL RANGO DE TEMPERATURA:</b>	11.11 – 23.33 °C (52 - 74°F)
<b>PESO NETO:</b>	26.5 libras

## REGISTRE SU PRODUCTO EN LÍNEA

### ¡Registre su producto Newair en línea hoy!

Aproveche todos los beneficios que ofrece el registro de productos:



#### **Servicio y soporte**

Diagnostique y resuelva problemas de servicio de forma más rápida y precisa



#### **Notificaciones**

Manténgase actualizado sobre seguridad y actualizaciones del sistema por medio de notificaciones



#### **Promociones especiales**

Inscríbase para recibir promociones y ofertas de Newair

Registrar la información de tu producto en línea de forma segura y en menos de 2 minutos:

[newair.com/register](https://newair.com/register)

Le recomendamos que adjunte una copia de su recibo de compra a continuación y registre la siguiente información, que se encuentra en la placa de identificación del fabricante en la parte posterior de la unidad. Necesitará esta información si es necesario ponerse en contacto con el fabricante para consultas de servicio.

**Fecha de Compra:** \_\_\_\_\_

**Número de Serie:** \_\_\_\_\_

**Número del modelo:** \_\_\_\_\_

## ADVERTENCIAS E INFORMACIÓN DE SEGURIDAD

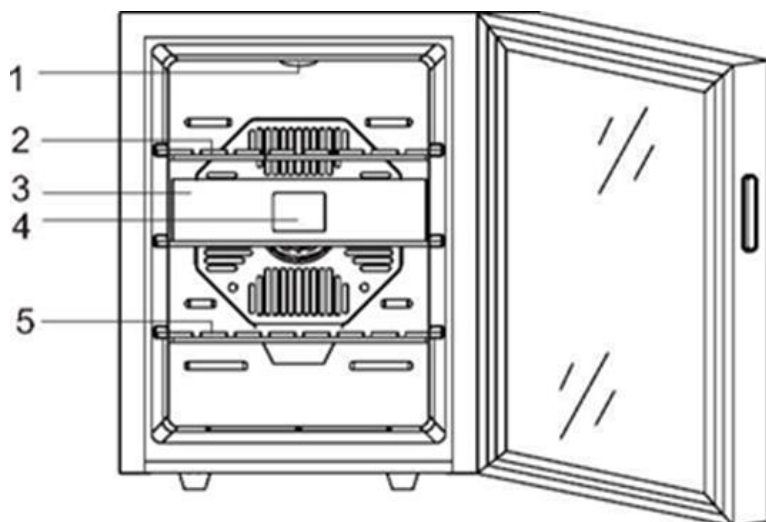


Para reducir el riesgo de descargas eléctricas o lesiones al usar su electrodoméstico, siga estas precauciones básicas:

- Lea todas las instrucciones antes de usar este gabinete humidificador de puros.
- Nunca permita que los niños operen o jueguen con este aparato.
- Nunca limpie las partes del aparato con líquidos inflamables. Los vapores pueden crear un riesgo de incendio o explosión.
- No almacene ni use vapores o líquidos inflamables cerca de este aparato. Los vapores pueden crear un riesgo de incendio o explosión.
- Este aparato no está diseñado para almacenar alimentos.

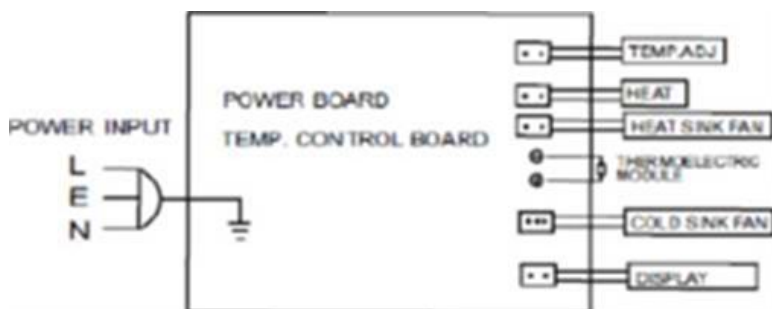
Este aparato no está diseñado para ser utilizado por personas (incluidos niños) con capacidades físicas, sensoriales o mentales reducidas, falta de experiencia o conocimiento de su funcionamiento, a menos que estén bien instruidas o bajo la supervisión de una persona responsable de su seguridad.

## LISTA DE PARTES



1. Luz LED
2. Bandeja de madera de cedro
3. Cajón de madera de cedro
4. Higrómetro
5. Bandeja de madera de cedro

## DIAGRAMA ELECTRICO



## INSTALACIÓN



**Antes de conectar el aparato a una fuente de alimentación, déjelo en posición vertical durante aproximadamente 2 horas.** Esto reducirá la posibilidad de un mal funcionamiento en el sistema de enfriamiento debido a la manipulación durante el transporte.

**Antes de usar su humidificador de puros, complete los siguientes pasos:**

- Retire todo el empaque exterior e interior.
- Asegúrese de que se incluyan las siguientes piezas:
  - 3 estantes de madera.
  - 1 manual de instrucciones.

Antes de operar su humidificador de puros por primera vez, siga estos pasos:

1. Limpiar la superficie interior con agua tibia con un paño suave.
2. Coloque su electrodoméstico sobre una superficie plana lo suficientemente fuerte como para soportar el electrodoméstico cuando esté completamente cargado. Para nivelar su humidificador, ajuste las patas delanteras en la parte inferior del aparato.
3. Asegúrese de que el gabinete esté ubicado lejos de la luz solar directa y de fuentes de calor (es decir, estufa, calentador, radiador, etc.). La luz solar directa puede afectar su recubrimiento acrílico. Las temperaturas ambiente extremadamente frías o calientes también pueden hacer que el electrodoméstico no funcione correctamente y / o aumente el consumo eléctrico.
4. El aparato está diseñado para uso en interiores únicamente.

**PRECAUCIÓN:** Mantenga el gabinete alejado de materiales o sustancias combustibles.

---

## REMOVER OLORES DE FABRICA

Limpie el interior del humidificador con un detergente suave y agua tibia. Asegurese de no mojar la madera. Deje la Puerta abierta y permita que el aire circule para secar completamente. Si un olor parecido a plástico persiste, puede colocar un recipiente con bicarbonato de sodio dentro de la unidad o coloque hojas de papel periódico durante toda la noche. Al terminar, deje que la unidad se seque completamente durante un día para completar el proceso de aireado.

Si el cable de alimentación se encuentra dañado, debe ser reemplazado por una persona calificada para evitar riesgo de choque eléctrico.

## INSTRUCCIONES DE USO

Es recomendable que instale el el humidificador de puros en un lugar donde la temperatura ambiente sea entre 50-77°F. Si la temperatura ambiente es mayor o menor de lo recomendado, el funcionamiento de la unidad puede ser afectado. Por ejemplo si se instala en un lugar de extremo calor o frio, puede causar que la temperatura onterna fluctue o no alcance el rango programado de la unidad.

### ENCENDER SU HUMIDOR DE PUROS

Conecte y encienda el aparato presionando el botón de encendido **durante 3 segundos.**

Cuando utilice el humidificador de puros por primera vez (o reinicie el humidificador de puros después de haberlo apagado durante mucho tiempo), habrá una variación de algunos grados entre la temperatura que ha seleccionado y la indicada en la lectura del LED. Esto es normal y se debe a la duración del tiempo de activación. Una vez que el humidificador de puros esté funcionando durante unas horas, todo se estabilizará.

**IMPORTANTE:** Si la unidad está desenchufada, se pierde la energía o se apaga, espere de 3 a 5 minutos antes de reiniciar la unidad. El humidificador de puros no se encenderá si intenta reiniciar antes de este tiempo de demora.

#### **Ruidos de Operación**

Para alcanzar los ajustes de temperatura deseados, nuestro humidificador de puros, como todos los humidificadores de puros que funcionan con compresores y ventiladores, puede producir los siguientes tipos de ruidos. **Estos ruidos son normales y pueden ocurrir de la siguiente manera:**

- Sonido de gorgoteo: causado por el refrigerante que fluye a través de las bobinas del aparato.
- Sonidos de crujidos / estallidos: resultantes de la contracción y expansión del gas refrigerante para producir frío.
- Sonido de funcionamiento del ventilador: para hacer circular el aire dentro del humidificador de puros.

## COMO PREPARAR SU HUMIDIFICADOR DE PUROS

Es recomendable preparar las repisas y cajones de madera antes de guardar sus puros en ellos, esto para que la madera tenga la humedad adecuada y no absorba la humedad de sus puros. Para preparar su nuevo humidificador:

1. Agregue agua destilada a la bandeja de humedad, o coloque una esponja humedecida con agua destilada dentro de la unidad. Asegurese que el agua no toque la madera directamente, ya que esto puede causar daños a la misma.
2. Permita que la bandeja de humedad, u objeto humidificador permanezca dentro de la unidad hasta alcanzar una humedad 5% mayor que el nivel de su elección. Este proceso puede tardar hasta 3 días, pero es la mejor manera de asegurar el estado óptimo de sus puros al guardarlos.
3. Ya que el humidificador llegue al nivel recomendado en el paso anterior, puede agregar sus puros. Puede agregar de poco en poco para monitorear de cerca la humedad interna y asegurar que se mantenga en el nivel deseado. Si el nivel de humedad baja demasiado puede repetir el método de preparación para regresar la humedad al nivel deseado.

**NOTA:** Durante este proceso es recomendable no abrir la Puerta si no es estrictamente necesario, ya que esto permitirá que la humedad salga de la unidad y retrasara el proceso.

## CONFIGURACIÓN DE LA TEMPERATURA:

Hay cuatro botones táctiles en el panel de control:



Aumenta o disminuye la temperatura establecida en 1 grado (el rango de temperatura es de 11.11 – 23.33 °C/ 52 a 74 °F).



El botón enciende o apaga la luz interior.



Selecciona el ajuste de visualización de temperatura Fahrenheit o Celsius.

**Nota:** Este producto está diseñado para funcionar en habitaciones con un rango de temperatura ambiente de 20 – 25°C (68 a 77 °F) y la temperatura interna solo puede aumentar en un máximo de -16°C (3°F) en comparación con la temperatura ambiente.

P.ej. Si vive en un área predominantemente fría con una temperatura ambiente de 20°C (68 °F), entonces la temperatura interna máxima que puede alcanzar la unidad es de 22°C (71 °F).

Se puede usar un sistema de enfriamiento incorporado para establecer la temperatura interna tan baja como 11.11°C (52 °F).

## RECOMENDACIONES PARA CONSERVAR SUS PUROS

- La temperatura ideal para guardar sus puros es entre 65° and 73°F.
- La humedad ideal para guardar sus puros es entre 65% and 75%. Para mantener adecuadamente la humedad dentro de la unidad, necesitará incluir un método humidificador. Para su conveniencia se incluye una bandeja para humedad.
- Para usar la bandeja de humedad dentro de la unidad, simplemente llene hasta la marca con agua destilada o use una esponja humedecida con agua destilada y posicónela hacia el fondo de la unidad. Tome en cuenta que es necesario cambiar el agua cuando llegue a la humedad deseada o rellenar cuando se evapore para poder seguirla utilizando.
- Mantenga los puros lejos de la luz solar directa para evitar daño por su exposición a los rayos UV.
- Se recomienda mantener los puros en su caja o empaque original por el mayor tiempo posible. Mantenga separados dentro de la unidad los puros sin envoltura, esto para evitar que se mezclen los sabores entre diferentes ejemplares.
- Revise regularmente sus puros para detectar señales de moho o insectos, y tome medidas preventivas de ser necesario.
- Los puros adecuadamente guardados pueden mejorar con el tiempo hasta 5-10 años, y se pueden conservar aun por más tiempo manteniendo las condiciones ideales de guardado.



## LIMPIEZA Y MANTENIMIENTO

### LIMPIEZA DE SU HUMIDIFICADOR

Para limpiar su gabinete de puros.

- Desenchufe el humidificador de puros y retire su contenido y bandejas.
- Limpie el interior con una solución de agua tibia y bicarbonato de sodio, aproximadamente 2 cucharadas de bicarbonato de sodio en un litro de agua.
- El exterior del humidificador de puros debe limpiarse con un detergente suave y agua tibia.
- Saque el depósito de agua y límpielo con agua tibia.

### TRANSPORTE DEL HUMIDIFICADOR

- Retire todo el contenido y los estantes deslizantes.
- Asegure todos los elementos sueltos dentro de la unidad.
- Ajuste las patas niveladoras hasta la base para evitar daños.
- Asegure la puerta cerrada.
- Asegúrese de que el humidificador de puros permanezca en posición vertical durante el transporte.

### COMO DESECHAR SU HUMIDIFICADOR

1. Retire la puerta antes de desechar este aparato.
2. No deseche este producto como residuo municipal sin clasificar. La recolección de dichos desechos debe tratarse por separado. El aislamiento o los gases inflamables deben eliminarse de forma adecuada. Lleve la unidad a una planta de reciclaje.

## SOLUCIÓN DE PROBLEMAS

Puede resolver los problemas de uso más comunes fácilmente revisando y siguiendo la información de solución de problemas a continuación.

<b>Problem</b>	<b>Possible Causes</b>
<b>El humidificador no funciona.</b>	<ul style="list-style-type: none"> <li>● Puede estar enchufado usando voltaje diferente.</li> <li>● Se disparó el disyuntor o hay un fusible fundido.</li> </ul>
<b>El humidificador no enfría lo suficiente.</b>	<ul style="list-style-type: none"> <li>● Verifique el ajuste de control de temperatura.</li> <li>● La temperatura ambiente es demasiado cálida.</li> <li>● La puerta se abre con demasiada frecuencia.</li> <li>● La puerta no está completamente cerrada.</li> <li>● El sello de la puerta no funciona correctamente.</li> <li>● El humidificador no tiene el espacio libre correcto.</li> </ul>
<b>La luz no funciona.</b>	<ul style="list-style-type: none"> <li>● Consulte con su centro de servicio.</li> </ul>
<b>La unidad vibra.</b>	<ul style="list-style-type: none"> <li>● Ajuste las patas delanteras para nivelar el aparato de forma segura.</li> </ul>
<b>El humidificador de cigarrillos hace demasiado ruido.</b>	<ul style="list-style-type: none"> <li>● El gabinete no está nivelado.</li> <li>● Revisa el ventilador.</li> </ul>
<b>La puerta no cierra correctamente.</b>	<ul style="list-style-type: none"> <li>● El gabinete no está nivelado.</li> <li>● Las puertas se invirtieron y se instalaron incorrectamente.</li> <li>● El sello es débil.</li> </ul>
<b>El LED no funciona.</b>	<ul style="list-style-type: none"> <li>● El tablero de control principal no funciona.</li> <li>● Problema de PCB.</li> <li>● Problema con el cable eléctrico.</li> </ul>
<b>Error de pantalla LED.</b>	<ul style="list-style-type: none"> <li>● Problema del panel de visualización.</li> <li>● El punto de temperatura está apagado.</li> </ul>
<b>El sistema de refrigeración no funciona.</b>	<ul style="list-style-type: none"> <li>● El panel del controlador de temperatura está dañado.</li> </ul>

## GARANTIA DEL FABRICANTE

Este aparato está cubierto por una garantía limitada del fabricante. Durante un año a partir de la fecha original de compra, el fabricante reparará o reemplazará cualquier pieza de este electrodoméstico que demuestre tener defectos de materiales y mano de obra, siempre que el electrodoméstico se haya utilizado en las condiciones de funcionamiento normales previstas por el fabricante.

### **Términos de garantía:**

Durante el primer año, cualquier componente de este electrodoméstico que se encuentre defectuoso debido a los materiales o la mano de obra será reparado o reemplazado, a discreción del fabricante, sin cargo para el comprador original. El comprador será responsable de los gastos de traslado o transporte.

### **Exclusiones de garantía:**

La garantía no se aplicará si el daño es causado por cualquiera de los siguientes:

- Fallo de alimentación
- Daños durante el transporte o al mover el aparato
- Suministro de energía inadecuado, como bajo voltaje, cableado doméstico defectuoso o fusibles inadecuados
- Accidente, alteración, mal uso o abuso del aparato como el uso de accesorios no aprobados, circulación de aire inadecuada en la habitación o condiciones de funcionamiento anormales (temperaturas extremas)
- Uso en aplicaciones comerciales o industriales
- Incendio, daños por agua, robo, guerra, disturbios, hostilidad o casos fortuitos como huracanes, inundaciones, etc.
- Uso de fuerza o daño causado por influencias externas
- Aparatos parcial o totalmente desmontados
- Exceso de desgaste por parte del usuario

### **Obtención del servicio:**

Cuando haga un reclamo de garantía, tenga disponible la factura de compra original con la fecha de compra. Una vez confirmado que su electrodoméstico es elegible para el servicio de garantía, todas las reparaciones serán realizadas por un centro de reparación autorizado de Newair™. El comprador será responsable de los gastos de traslado o transporte. Las piezas y / o unidades de reemplazo serán nuevas, refabricadas o reacondicionadas y están sujetas a la discreción del fabricante. Para soporte técnico y servicio de garantía, envíe un correo electrónico a [support@newairusa.com](mailto:support@newairusa.com).