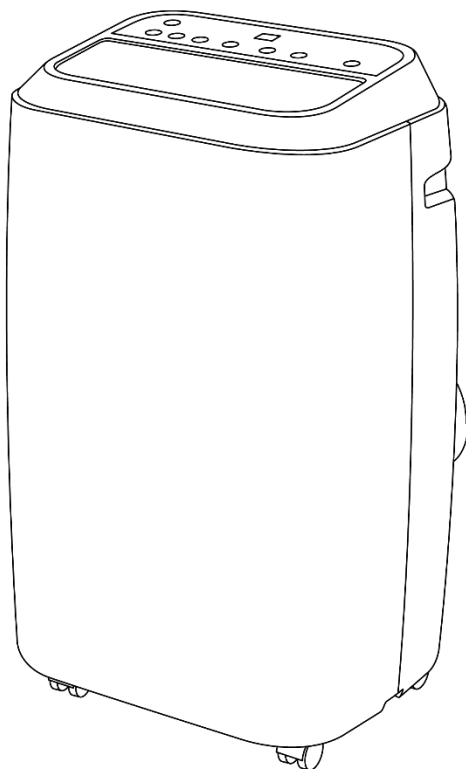


newair[®]

NAC12KWH03

Portable Air Conditioner

Version 1



OWNER'S MANUAL

Manuel de L'utilisateur

Manual del Propietario



Intertek
Manual v1.0

LANGUAGE INDEX

| | |
|-------------------------|----|
| English Manual..... | 3 |
| Manuel en Français..... | 39 |
| Manual en Español..... | 75 |

A Name You Can Trust

Trust should be earned and we will earn yours. Customer happiness is the focus of our business.

From the factory to the warehouse, from the sales floor to your home, the whole Newair family promises to provide you with innovative products, exceptional service, and support when you need it the most.

Count on Newair

As a proud Newair owner, welcome to our family. There are no robots here, real people shipped your product and real people are here to help you.

Contact Us

Please reach out to our customer service team before making a return to your store of purchase. We are happy to help with any questions or concerns!

Mon-Fri from 8-4 PST at:

Call: 1-855-963-9247
Email: support@newair.com
Online: www.newair.com

A team member will respond to you within 24 hours.

Follow Us



Facebook.com/newairusa



Instagram.com/newairusa



YouTube.com/newairusa



Twitter.com/newairusa

READ AND SAVE THESE INSTRUCTIONS.

TABLE OF CONTENTS

| | |
|--|----|
| LANGUAGE INDEX | 2 |
| Table Of Contents | 4 |
| Specifications | 5 |
| Register Your Product Online..... | 6 |
| Safety Information & Warnings | 7 |
| Parts List..... | 11 |
| Accessories..... | 12 |
| Assembly & Installation | 13 |
| Installation | 13 |
| Introduction to Exhaust Hose Installation | 14 |
| Water TRAY Full alarm | 16 |
| Operating Instructions | 17 |
| Appearance and Function of Control Panel | 17 |
| Appearance and Function of Remote Control | 18 |
| Operating InstructionS..... | 19 |
| Introduction | 19 |
| Before using | 19 |
| Cooling operation | 20 |
| Dehumidifying operation | 20 |
| Fan operation..... | 20 |
| Timer operation | 20 |
| Auto Oscillation..... | 21 |
| SLEEP mode..... | 21 |
| Water drainage | 21 |
| Cleaning & Maintenance..... | 22 |
| Declaration..... | 22 |
| Air Filter | 22 |
| Cleaning the Surface of the unit | 22 |
| Troubleshooting..... | 23 |
| Instructions for Repairing Appliances Containing R32 | 25 |
| Competence of service personnel | 31 |

SPECIFICATIONS

| | |
|-------------------------|---------------------------------------|
| MODEL No. | NAC12KWH03 |
| VOLTAGE | 115V/60HZ |
| DEHUMIDIFICATION | 1.2 pints/hour |
| COMPRESSOR TYPE | Inverter Compressor |
| REFRIGERANT | R32 |
| FAN SPEEDS | 3 |
| TIMER | 1-24 hrs |
| COOLING CAPACITY | 12000 BTU (ASHRAE), 8000 BTU (DOE) |

REGISTER YOUR PRODUCT ONLINE

Register Your Newair Product Online Today!

Take advantage of all the benefits product registration has to offer:



Service and Support

Diagnose troubleshooting and service issues faster and more accurately



Recall Notifications

Stay up to date for safety, system updates and recall notifications



Special Promotions

Opt-in for Newair promotions and offers

Registering your product information online is safe & secure and takes less than 2 minutes to complete:

newair.com/register

Alternatively, we recommend you attach a copy of your sales receipt below and record the following information, located on the manufacturer's nameplate on the rear of the unit. You will need this information if it becomes necessary to contact the manufacturer for service inquiries.

Date of Purchase: _____

Serial Number: _____

Model Number: _____

SAFETY INFORMATION & WARNINGS



VERY IMPORTANT: Please do not install or use your portable air conditioner before you have carefully read this manual. Please keep this instruction manual for future reference and warranty purposes.

WARNING

- Do not attempt to accelerate the defrosting process or use methods to clean the unit other than those recommended by the manufacturer.
- Store the appliance in a room that does not house any continuously operating heat sources or appliances such as open flames, gas appliances, or electric heaters.
- Do not puncture or burn any part of the appliance.
- Be aware that flammable refrigerants may not produce an odor.



A2L

WARNING (FOR R32)

Specific information regarding appliances with R32 refrigerant gas.

- R32 is a refrigerant gas compliant with European directives on the environment. Do not puncture any part of the refrigerant circuit.
- Thoroughly read all warnings.
- When defrosting and/or cleaning the appliance, do not use any tools other than those recommended by the manufacturer.
- The appliance must be placed in an area that does not house any continuously operating ignition sources or appliances such as open flames, gas appliances, or electric heaters.
- Do not puncture or burn any part of the appliance.
- If the appliance is installed, operated, or stored in an unventilated area, the room must be designed to prevent the accumulation of refrigerant leaks, which could result in the risk of fire or explosion due to ignition of the refrigerant caused by electric heaters, stoves, or other sources of ignition.
- The appliance must be stored in such a way as to prevent mechanical failure.
- Individuals who operate or work on the refrigerant circuit must have the appropriate certification issued by an accredited organization that ensures

competence in handling refrigerants according to a specific evaluation recognized by associations in the industry.

- Repairs must be performed based on recommendations from the manufacturer. Maintenance and repairs that require assistance from qualified personnel must be performed under the supervision of an individual trained in the use of flammable refrigerants.
- Ducts connected to an appliance must not contain a potential ignition source.
- **WARNING** – Risk of fire. Flammable refrigerant used. To be repaired only by trained service personnel. Do not puncture refrigerant tubing.
- **WARNING** – Risk of fire. Flammable refrigerant used. Dispose of properly in accordance with federal or local regulations.
- **WARNING** – Risk of fire. Flammable refrigerant used. Consult repair manual/owner's guide before attempting to service this product. All safety precautions must be followed.
- **WARNING** – Risk of fire. Flammable refrigerant used. Follow handling instructions carefully in compliance with national regulations.

GENERAL SAFETY INSTRUCTION

- This appliance is for indoor use only.
- Do not power this appliance through an electrical socket under repair or that has not been installed properly.
- Do not use the unit:
 - A: near a fire source;
 - B: in an area where oil is likely to spill or splash;
 - C: in an area exposed to direct sunlight;
 - D: in an area where water is likely to spill or splash;
 - E: near a bath, laundry area, shower, or swimming pool.
- Never insert your fingers or any other item into the air outlet. Take special care to warn children of these dangers.
- Keep the unit upright during transport, storage, and use.
- Before cleaning the unit, always switch unit off and disconnect the power supply.
- When moving the unit, always switch unit off and disconnect the power supply. Move the unit slowly.
- To avoid the risk of fire, the unit should never be covered while operating.
- Electrical sockets used to power the unit must comply with local electricity safety requirements. If necessary, please check for these requirements.

- Children should be supervised to ensure that they do not play with the appliance.
- If power supply cord is damaged, it must be replaced by the manufacturer, a service agent, or a similarly qualified person to avoid hazard.
- This appliance can be operated by children aged 8 years and above and by persons with reduced physical, sensory, or mental capabilities or lack of experience and knowledge if supervised or given instruction concerning use of the appliance in a safe way and understand the hazards involved. Children should never be allowed to play with the appliance. Cleaning and maintenance should never be performed by children without supervision.
- This appliance is not intended for use by persons (including children) with reduced physical, sensory, or mental capabilities, or lack of experience and knowledge, unless they have been given supervision or instruction concerning use of the appliance by a person responsible for their safety.
- The appliance must be installed in accordance with national wiring regulations.
- **Recycling:** The symbol shown to the right indicates that this product should not be disposed of with other household wastes. To prevent possible harm to the environment or human health from uncontrolled waste disposal, recycle this item responsibly to promote the sustainable reuse of material resources. To return your used device, please use the return and collection systems or contact the retailer where the product was purchased. Associated retailers can take this product for environmentally safe recycling.
- Contact an authorized service technician for repair or maintenance of this unit.
- Do not pull on, deform, or otherwise modify the power supply cord, or immerse it in water, which could result in damage to the unit and/or cause electrical shock.
- Compliance with national gas regulations must be observed.
- Keep ventilation openings clear of obstruction.
- Any person who is involved with working on or opening a refrigerant circuit should hold a current valid certificate from an industry-accredited assessment authority, which authorizes their competence to handle refrigerants safely in accordance with an industry recognized assessment specification.
- Servicing of this unit should only be performed as recommended by the manufacturer. Maintenance and repair requiring the assistance of other skilled personnel should be carried out under the supervision of a person competent in the use of flammable refrigerants.

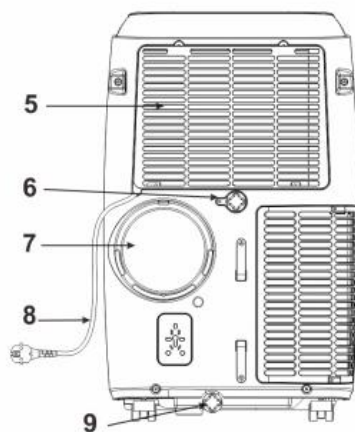
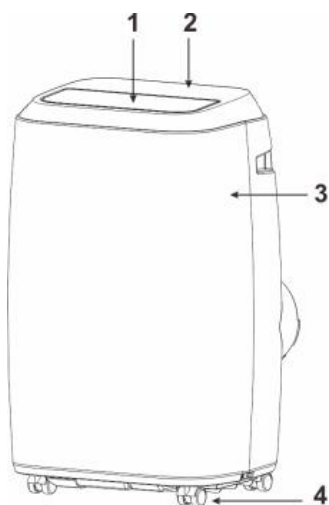


- Do not turn the unit on or off by inserting or pulling on the power supply cord, as this may cause electric shock or fire.
- Power off and unplug the unit if strange sounds, odors, or smoke emits from it.
- **Impedance declaration:** These appliances can be connected only to a supply with system impedance no more than 0.367Ω . If necessary, consult your supply authority for system impedance information.

Notes:

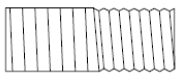





- If the unit or any of its parts are or become damaged, please contact the dealer or a designated repair shop.
- In case of any damage, please turn off the air switch, disconnect the power supply, and contact the dealer or a designated repair shop.
- In all circumstances, the power cord should be firmly grounded.
- If power cord is damaged, please turn off the air switch and disconnect the power supply. The cord must be replaced by the dealer or a designated repair shop. To avoid the possibility of danger, do not attempt to repair the power cord.

PARTS LIST



- 1 Louver
- 2 Control panel
- 3 Front cover
- 4 Castor
- 5 Air inlet
- 6 Drainage outlet
- 7 Air outlet
- 8 Power cord
- 9 Drainage outlet

ACCESSORIES

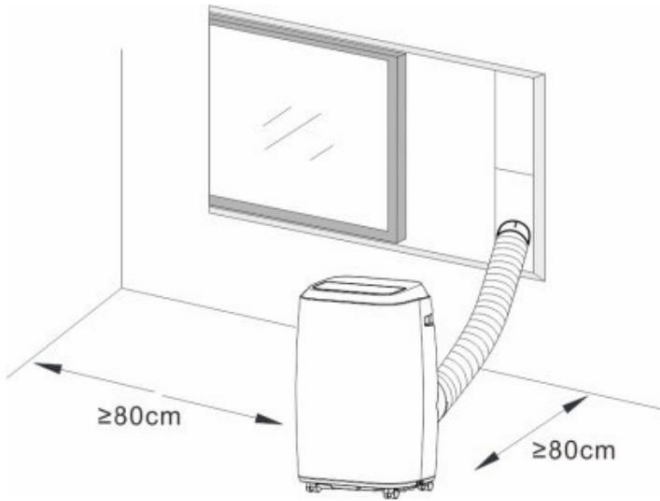
| Part | Description | Quantity |
|---|------------------|----------|
|  | Exhaust hose | 1 |
|  | Window connector | 1 |
|  | Housing adaptor | 1 |
|  | Remote control | 1 |
|  | Window Kit | 1 |
|  | Water pipe | 1 |

After unpacking, please check that the above-mentioned accessories are included and review their purposes in the installation section of this manual.

ASSEMBLY & INSTALLATION

INSTALLATION

- For proper installation, this appliance should be installed on a level surface. Ensure that the air outlet is not blocked and that all sides of the appliance are clear by at least 1 ft. (see Fig.8).
- This appliance should not be installed in wet location such as a laundry room or bathroom.
- This unit should not be installed in a dry-cleaning facility.
- Electrical sockets supplying power to this appliance should be wired in accordance with local safety requirements.



(Fig.8)

INTRODUCTION TO EXHAUST HOSE INSTALLATION

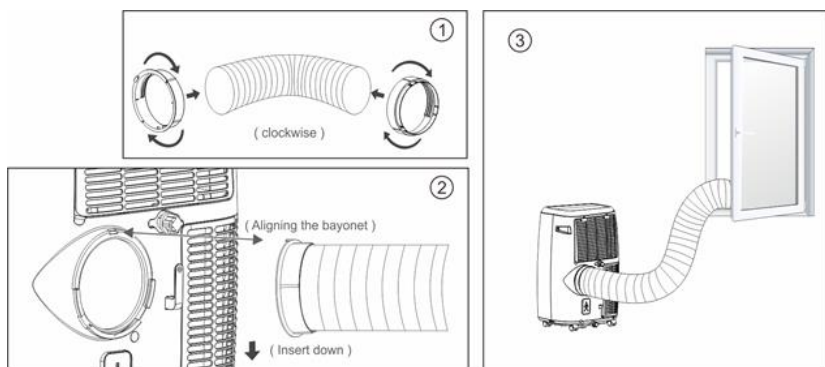


Fig.9

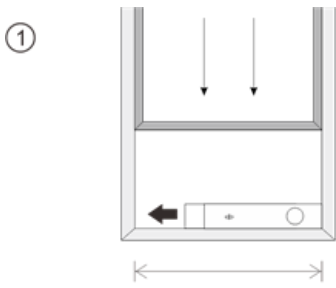
Temporary installation

1. Twist both ends of the exhaust hose into the square fixing clip and the flat fixing clip.
2. Insert the square fixing clip into the openings on the back of the air conditioner (see Fig.9).
3. Place the other end of the exhaust hose on a nearby windowsill.

Window Slider Kit Installation

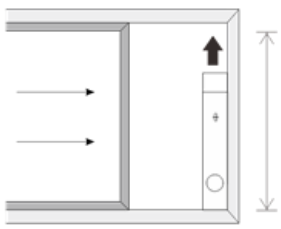
The window slider kit included with this appliance can accommodate horizontal or vertical installation. As shown in Fig.10 and Fig.10a, check the minimum and maximum size of your window before installation.

1. Install the window kit in the window (Fig.10, Fig.10a);
2. Adjust the length of the window slider kit according to the window width or height and affix it with the dowel.
3. Insert the window connector hose into the hole in the window kit.



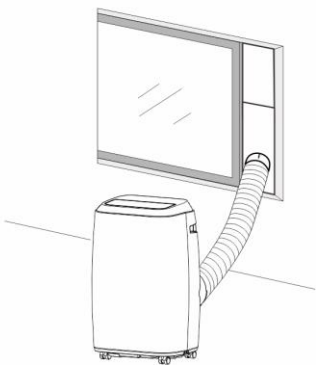
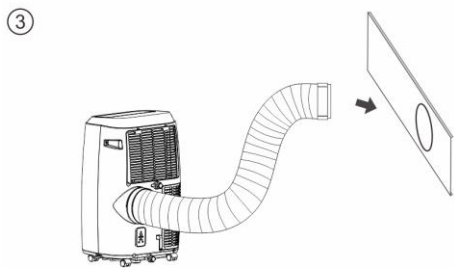
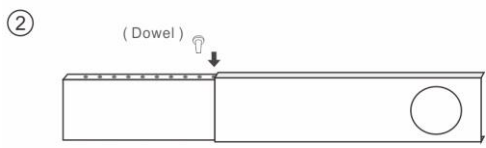
Window width
min:67.5cm
max:123cm

(Fig.10)



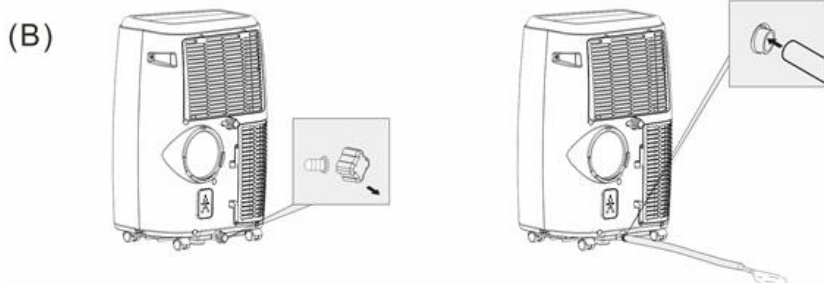
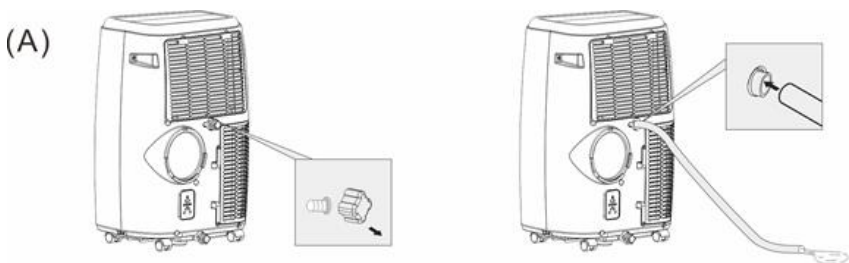
Window height
min:67.5cm
max:123cm

(Fig.10a)



WATER TRAY FULL ALARM

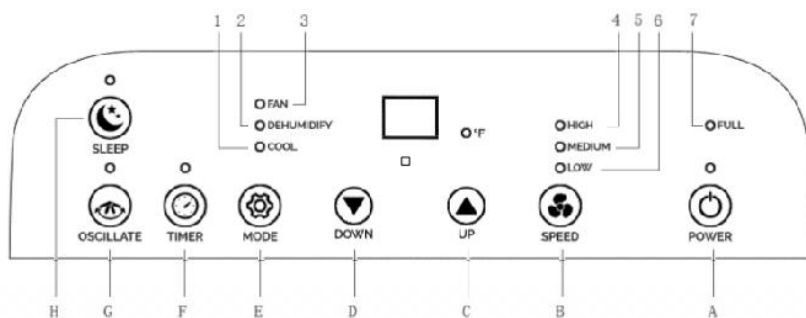
The water tray inside the air conditioner has a water level safety switch that controls the water level. When the water level reaches a specified height, the associated indicator light will illuminate. (If water pump is damaged, when the water tray is full, please remove the rubber plug at the bottom of the unit to drain water).



OPERATING INSTRUCTIONS

APPEARANCE AND FUNCTION OF CONTROL PANEL

Cooling only model

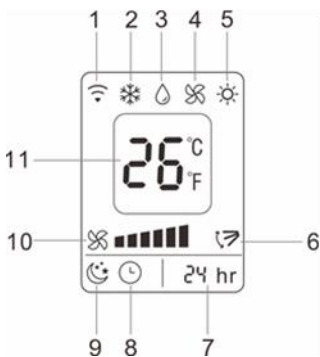


| | | | |
|---|------------------|---|------------------|
| A | Power on/off | 1 | Cooling |
| B | Fan speed | 2 | Dehumidifying |
| C | Temperature up | 3 | Fan |
| D | Temperature down | 4 | High fan speed |
| E | Operation mode | 5 | Medium fan speed |
| F | Timer on/off | 6 | Low fan speed |
| G | Swing on/off | 7 | Water full |
| H | Sleep mode | | |

APPEARANCE AND FUNCTION OF REMOTE CONTROL



| | |
|----|------------------|
| 1 | Power on/off |
| 2 | Timer on/off |
| 3 | Operating mode |
| 4 | °C / °F |
| 5 | Temperature up |
| 6 | Temperature down |
| 7 | LED display |
| 8 | Oscillate |
| 9 | Fan speed |
| 10 | Sleep mode |



| | |
|----|------------------------|
| 1 | Receiver signal |
| 2 | Cooling |
| 3 | Dehumidifying |
| 4 | Fan |
| 5 | Heating (not included) |
| 6 | Auto swing |
| 7 | Timing |
| 8 | Timer on/off |
| 9 | Sleep mode |
| 10 | Fan speed |
| 11 | Temperature display |

Notes:

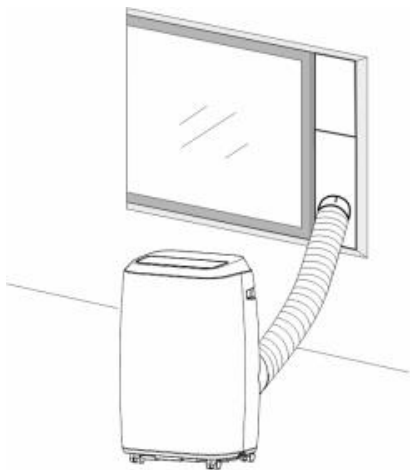
- Do not drop the remote control.
- Do not place the remote control in a location exposed to direct sunlight.

OPERATING INSTRUCTIONS

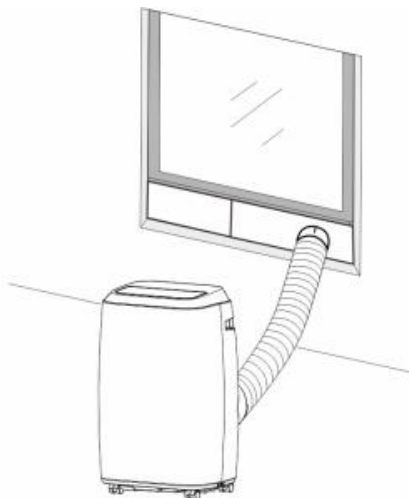
INTRODUCTION

Before operating this appliance:

- 1) Find a place with a power supply nearby.
- 2) As shown in Fig.5 and Fig.5a, install the exhaust hose securely and adjust the window position as needed (see detailed instructions above).



(Fig.5)



(Fig.5a)

- 3) Connect drain hose securely (only for heating model).
- 4) Insert power supply cord into a grounded AC115V/60Hz socket.
- 5) Press the POWER button to turn on the unit.

BEFORE USING

Notice:

Operation temperature range:

| | Maximum cooling | Minimum cooling |
|-----------|-----------------|-----------------|
| DB/WB(°F) | 95/75 | 64/54 |

IMPORTANT: Before using this appliance, check that the exhaust hose has been mounted properly.

CAUTION - For cooling and dehumidifying operations:

- When using the cooling and dehumidifying functions, maintain an interval of at least 3 minutes between each power ON/OFF.
- Ensure that unit's the power supply meets the above specified requirements.
- Ensure that the electrical socket is intended for AC use.
- Do not share power supply socket with other appliances.
- The power supply for this appliance must be AC115V/60Hz.

COOLING OPERATION

- Press the MODE button until the COOL icon appears.
- Press the DOWN or UP buttons to select your desired room temperature (61°F-88°F).
- Press the FAN button to select fan speed.

DEHUMIDIFYING OPERATION

- Press the MODE button until the DEHUMIDIFY icon appears.
- Set the selected temperature to current room temperature minus 2°F.
- Set the fan to LOW fan speed.

FAN OPERATION

- Press the MODE button until the FAN icon appears.
- Press the FAN button to select fan speed.

TIMER OPERATION

To set a timer for powering on:

- Press the TIMER button and select a desired time for the unit to power on by using the time settings buttons. You can also select a desired temperature.
- "Preset ON Time" will be displayed on the operation panel.
- "ON Time" can be set for any time from 0-24 hours.
- Press the TIMER button again to confirm settings. Timer indicator light will illuminate.
- To deactivate the timer function, press the TIMER button until the timer indicator light turns off.

To set a timer for powering off:

- When the air conditioner is on, press the TIMER button and select a desired OFF time by using the time settings buttons.
- “Preset OFF Time” will be displayed on the operation panel.
- “OFF time” can be set for any time from 0-24 hours.
- Press the TIMER button again to confirm settings. Timer indicator light will illuminate.
- To deactivate the timer function, press the TIMER button until timer indicator light turns off.

AUTO OSCILLATION

After the unit turns on, press the OSCILLATE button. The louver will then move continuously up and down. By pressing this button again, the movement will stop, and the louver will remain in the stopped position.

SLEEP MODE

- While in cooling mode, press the SLEEP button to set the desired starting temperature. The set temperature will increase by 2°F after one hour and 4°F after 2 hours.
- Press the SLEEP button again to cancel these settings.

WATER DRAINAGE**Water Tray Full Alarm**

The water tray inside the air-conditioner has a water level safety switch that controls the water level. When the water level reaches a specified height, the associated indicator light will illuminate. (If water pump is damaged, when the water tray is full, please remove the rubber plug at the bottom of the unit, to drain water).

Continuous Drainage

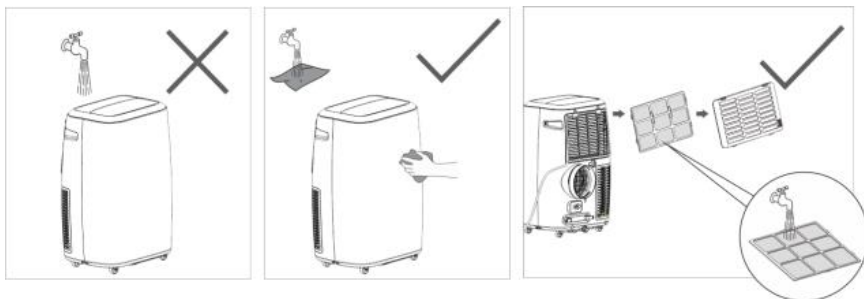
- If you plan to leave this unit unused for an extended time, please remove the rubber plug from the drainage hole at the bottom of the unit and connect a drain hose to the lower fixing clip.
- You can also drain the water this way when the unit is operating in HEAT mode.

- If water pump is damaged, continuous drainage can be used by attaching a drain hose to the unit and placing it in a drain or sufficient receptacle. The unit can function properly this way as well.
- If water pump is damaged, intermittent drainage can also be used. Under this condition, pay attention to when the water full indicator light comes on. Then, connect a drain hose to the lower fixing clip to allow all water in the water tray to drain out. The unit can function properly this way.

CLEANING & MAINTENANCE

DECLARATION

1. Before cleaning, be sure to power off and disconnect the unit from its power supply outlet.
2. Do not use gasoline or other chemicals to clean the unit.
3. Do not wash the unit internally directly..
4. If the unit is damaged, please contact the dealer or a repair technician.



AIR FILTER

- The air filter should be cleaned once every two weeks to prevent it from becoming clogged with dust or dirt.
- Dismounting: Open the air inlet grille and remove air filter.
- Cleaning: Clean the air filter with neutral detergent in lukewarm water (104°F) and let it air dry in a shaded place.
- Mounting: Place the air filter into the inlet grille and replace all components as they were.

CLEANING THE SURFACE OF THE UNIT

Clean the surface of the unit with a neutral detergent and wet cloth, then wipe it with a dry cloth.

TROUBLESHOOTING

| Problem | Possible Cause | Solution |
|--|---|---|
| 1. Unit does not start when pressing on/off button | - Water tank is full (check for blinking water full indicator light). | Empty the water tank. |
| | - Room temperature is higher than the setting temperature (heating mode). | Reset the temperature. |
| | - Room temperature is lower than the setting temperature (cooling mode). | Reset the temperature. |
| 2. Unit is not effectively cooling the space | - Doors or windows are open. | Make sure all windows and doors are closed. |
| | - There are heat sources inside the room. | Remove the heat sources if possible. |
| | - Exhaust hose has become disconnected or blocked. | Reconnect or clean the exhaust air hose. |
| | - Temperature setting is too high. | Reset the temperature. |
| | - Air inlet is blocked. | Clean the air inlet. |
| 3. Unit is noisy | - The ground is uneven or not sufficiently level. | Place the unit on flat, level ground. |
| | - (If the sound is like that of flowing water) Sound is coming from the flowing refrigerant inside the air conditioner. | This is normal. |
| 4. E0 Code | Room temperature sensor failed | Replace room temperature sensor (note: unit will still work without replacement). |
| 5. E1 Code | Condenser temperature sensor failed | Replace condenser temperature sensor. |
| 6. E2 Code | Water tank full when cooling | Empty the water tank. |
| 6. E3 Code | Evaporator temperature sensor failed | Replace evaporator temperature sensor. |
| 7. E4 Code | Water tank full when heating | Empty the water tank. |

INSTRUCTIONS FOR REPAIRING APPLIANCES CONTAINING R32

1. GENERAL INSTRUCTIONS

- **IMPORTANT:** Prior to working on systems containing flammable refrigerants, safety checks are necessary to ensure that the risk of ignition is minimized. The following precautions should be complied with prior to conducting repair work on this appliance.
- **Work procedure:** Work should be performed in a controlled way and environment to minimize the risk of flammable gas or vapor being present while work is performed.
- **General work area:** All maintenance staff and others working in the nearby area should be instructed on the nature of the work being performed. Work in confined spaces should be avoided. The area around the workspace should be sectioned off. Ensure that the conditions within the area have been made safe by controlling and/or removing flammable materials.
- **Checking for presence of refrigerant:** The work area should be checked with an appropriate refrigerant detector prior to and during work to ensure the technician is aware of potentially flammable agents in the atmosphere. Ensure that the leak detection equipment being used is suitable for use with flammable refrigerants (i.e., non-sparking, adequately sealed, or intrinsically safe).
- **Presence of fire extinguisher:** If any work involving heat is to be conducted on the refrigeration equipment or any associated parts, appropriate fire extinguishing equipment should be readily available. Have a dry powder or CO₂ fire extinguisher adjacent to the immediate work area.
- **No ignition sources:** No person carrying out work on a refrigeration system that involves exposing any pipe work that contains or has contained flammable refrigerants should use any sources of ignition in the work area or while conducting this work. The use of any sources of ignition (such as an open flame) could lead to the risk of fire or explosion. All possible ignition sources, including cigarette smoking, should be kept sufficiently far away from the site of installation, repair, removal, and disposal, during which processes flammable refrigerant could possibly be released into the surrounding space. Prior to work taking place, the area around the equipment should be surveyed to ensure that there are no flammable hazards or ignition risks. “No Smoking” signs should be displayed.
- **Ventilated area:** Ensure that the work area is either outside or, if indoors, that it is adequately ventilated before opening the refrigeration system or

conducting any work involving heat. Ventilation should continue during the full duration of the work and should safely disperse any released refrigerant and preferably expel it externally into the atmosphere.

- **Checks to the refrigeration equipment:** When electrical components are being repaired or replaced, they should be fitted for their intended purpose and to the correct specification. At all times, the manufacturer's maintenance and service guidelines should be followed. If in doubt, consult the manufacturer's technical department for assistance. The following checks should be applied to installations using flammable refrigerants: the charge size is in accordance with the room size within which the refrigerant containing parts are installed; the ventilation machinery and outlets are operating adequately and are not obstructed; if an indirect refrigerating circuit is being used, the secondary circuit should be checked for the presence of refrigerant; markings on the equipment should continue to be visible and legible, and markings and signs that are illegible should be adequately corrected; refrigeration pipe or components should be installed in a position where they are unlikely to be exposed to any substance which could corrode refrigerant containing components, unless the components are constructed of materials which are inherently resistant to being corroded or are suitably protected against being so corroded.
- **Checks to electrical devices:** Repair and maintenance to electrical components should include initial safety checks and component inspection procedures. If a problem exists that could compromise safety, no electrical supply should be connected to the circuit until the problem is satisfactorily dealt with. If the problem cannot be corrected immediately but it is necessary to continue operation, an adequate temporary solution should be used. This should be reported to the owner of the equipment so that all parties are aware of the circumstances. Initial safety checks shall include: checking that capacitors are discharged (this should be done in a safe manner to avoid possibility of sparking); checking that there are no live electrical components or wiring exposed while charging, recovering, or purging the system; checking that there is continuity of grounding.
- Every maintenance, service, and repair procedure that could impact safety should only be carried out by competent persons according to Annex HH (competence of service personnel as indicated by training carried out by national training organizations accredited to teach relevant national competency standards. The achieved competence should be documented by a certificate).
- All personnel engaging in work on the refrigeration system should bear a valid certification awarded by an authorized organization and the

qualifications for dealing with refrigeration systems as recognized by this industry. If other technicians are needed to maintain or repair the appliance, they should be supervised by a person who holds the qualifications for working with flammable refrigerants.

2. REPAIRS TO SEALED COMPONENTS

- During repairs to sealed components, all electrical supplies should be disconnected from the equipment being worked on prior to any removal of sealed covers, etc. If it is absolutely necessary to have an electrical supply to equipment during servicing, then a permanently operating form of leak detection should be located at the most critical point to warn of a potentially hazardous situation.
- Particular attention should be paid to the following to ensure that by working on electrical components, casings will not be altered in such a way that will affect the level of protection. Dangers include damage to cables, excessive number of connections, terminals not made to original specification, damage to seals, incorrect fitting of glands, etc. Ensure that electrical apparatus is mounted securely. Ensure that seals or sealing materials have not degraded such that they no longer serve the purpose of preventing the ingress of flammable substances. Replacement parts should always be in accordance with manufacturer specifications.
- **NOTE:** The use of silicon sealant may inhibit the effectiveness of some types of leak detection equipment. Intrinsically safe components do not have to be isolated prior to working on them.

3. REPAIR TO INTRINSICALLY SAFE COMPONENTS

- Do not apply any permanent inductive or capacitance loads to the circuit without ensuring that this will not exceed the permissible voltage and current permitted for the equipment in use.
- Intrinsically safe components are the only types that can be worked on while in the presence of a flammable materials. The test apparatus should yield an appropriate rating. Replace components only with parts specified by the manufacturer. Other parts may result in the ignition of refrigerant in the atmosphere from a leak.

4. CABLING

- Check that cabling will not be subject to wear, corrosion, excessive pressure, vibration, sharp edges, or any other adverse environmental effects. The check shall also account for the effects of aging or continual vibration from sources such as compressors or fans.

5. DETECTION OF FLAMMABLE REFRIGERANTS

- Under no circumstances should potential sources of ignition be used in the search for or detection of refrigerant leaks. A halide torch (or any other detector using an open flame) should never be used.

6. LEAK DETECTION METHODS

- The following leak detection methods are deemed acceptable for systems containing flammable refrigerants. Electronic leak detectors can be used, but their sensitivity may not be adequate or may require recalibration. (Detection equipment shall be calibrated in a refrigerant-free area.) Ensure that the detector is not a potential source of ignition and is suitable for the refrigerant used. Leak detection equipment shall be set at a percentage of the LFL of the refrigerant and shall be calibrated to the refrigerant employed and the appropriate percentage of gas (25% maximum) is confirmed.
- Leak detection fluids are suitable for use with most refrigerants but the use of detergents containing chlorine shall be avoided as the chlorine may react with the refrigerant and corrode the copper pipework.
- **NOTE:** Examples of fluid leak detection methods are
 - bubble method,
 - fluorescent agents method
- If a leak is suspected, all open flames should be removed/extinguished immediately. If a refrigerant leak is found that requires brazing, all of the refrigerant should be recovered from the system or isolated (by means of shut off valves) in a part of the system remote from the leak. Removal of refrigerant should be carried out according to section 7 below.

7. REMOVAL AND EVACUATION

- When opening the refrigerant circuit to make repairs (or for any other purpose) standard procedures should be used. However, for flammable refrigerants it is important that best practice be followed. The following procedure should be followed:
 - a) safely remove refrigerant following local and national regulations;
 - b) purge the circuit with inert gas;
 - c) evacuate (optional for A2L);
 - d) purge the circuit with inert gas (optional for A2L);
 - e) open the circuit by cutting or brazing.
- The refrigerant charge should be recovered into the correct recovery cylinders if venting is not allowed by local and national codes. For appliances containing flammable refrigerants, the system should be purged with oxygen-free nitrogen to render the appliance safe for flammable

refrigerants. This process might need to be repeated several times. Compressed air or oxygen should not be used for purging refrigerant systems.

- For appliances containing flammable refrigerants, refrigerant purging should be achieved by breaking the vacuum in the system with oxygen-free nitrogen and continuing to fill until the working pressure is achieved, then venting to the atmosphere, and finally pulling down to a vacuum (optional for A2L). This process should be repeated until no refrigerant remains within the system (optional for A2L). When the final oxygen-free nitrogen charge is used, the system should be vented down to atmospheric pressure to enable work to take place.
- Ensure that the outlet for the vacuum pump is not close to any ignition sources and that there is adequate ventilation.

8. CHARGING PROCEDURES

In addition to conventional charging procedures, the following requirements should be followed:

- Ensure that contamination of different refrigerants does not occur when using charging equipment. Hoses or lines should be as short as possible to minimize the amount of refrigerant contained in them.
- Cylinders should be kept upright.
- Ensure that the refrigeration system is grounded prior to charging the system with refrigerant.
- Label the system when charging is complete (if it has not already been labeled).
- Extreme care should be taken not to overfill the refrigeration system.
- Prior to recharging the system, it should be pressure tested with OFN. The system should be leak tested on completion of charging but prior to commissioning. A follow up leak test should be carried out prior to leaving the site.

9. DECOMMISSIONING

Before carrying out this procedure, it is essential that the technician is completely familiar with the equipment and all components. It is recommended good practice that all refrigerants are recovered safely. Prior to the task being carried out, an oil and refrigerant sample should be taken in case analysis is required prior to re-use of reclaimed refrigerant. It is essential that electrical power is available before the task is undertaken. Please adhere to the following steps for carrying out this procedure:

- a) Become familiar with the equipment and its operation;
- b) Isolate electrical system;

- c) Ensure that: handling equipment is available, if required, for handling refrigerant cylinders; all personal protective equipment is available and being used correctly; the recovery process is supervised at all times by a competent person; recovery equipment and cylinders conform to the appropriate standards;
- d) Pump down refrigerant system, if possible;
- e) If a vacuum is not available, make a manifold so that refrigerant can be removed from various parts of the system;
- f) Make sure that cylinder is situated on the scales before recovery takes place;
- g) Begin the recovery process and work in accordance with manufacturer's instructions;
- h) Do not overfill cylinders (no more than 80% volume liquid charge);
- i) Do not exceed the maximum working pressure of the cylinder, even temporarily;
- j) When the cylinders have been filled correctly and the process is complete, make sure that the cylinders and the equipment are removed from the site promptly and all isolation valves on the equipment are closed off;
- k) Recovered refrigerant should not be charged into another refrigeration system unless it has been cleaned and checked.

10. LABELLING

- Equipment should be labelled stating that it has been de-commissioned and emptied of refrigerant. The label should be dated and signed.
- Ensure that there are labels on the equipment stating that the equipment contains flammable refrigerant.

11. RECOVERY

- When removing refrigerant from a system, either for servicing or decommissioning, it is recommended good practice that all refrigerants are removed safely. When transferring refrigerant into cylinders, ensure that only appropriate refrigerant recovery cylinders are employed. Ensure that the correct number of cylinders for holding the total system charge are available. All cylinders to be used are designated for the recovered refrigerant and labelled for that refrigerant (i.e., special cylinders for the recovery of refrigerant). Cylinders shall be complete with pressure relief valve and associated shut-off valves in good working order. Empty recovery cylinders are evacuated and, if possible, cooled before recovery occurs.
- The recovery equipment should be in good working order with a set of instructions concerning the equipment at hand and should be suitable for the recovery of flammable refrigerants. In addition, a set of calibrated

weighing scales should be available and in good working order. Hoses shall be complete with leak-free disconnect couplings and in good condition. Before using the recovery machine, check that it is in satisfactory working order, has been properly maintained, and that any associated electrical components are sealed to prevent ignition in the event of a refrigerant release. Consult manufacturer if in doubt.

- The recovered refrigerant shall be returned to the refrigerant supplier in the correct recovery cylinder, and the relevant Waste Transfer Note arranged. Do not mix refrigerants in recovery units and especially not in cylinders.
- If compressors or compressor oils are to be removed, ensure that they have been evacuated to an acceptable level to make certain that flammable refrigerant does not remain within the lubricant. The evacuation process shall be carried out prior to returning the compressor to the suppliers. Only electric heating to the compressor body shall be employed to accelerate this process. When oil is drained from a system, this process should be carried out safely.

COMPETENCE OF SERVICE PERSONNEL

General

- Procedural information additional to standard information regarding refrigeration appliance installation, repair, maintenance, and decommission procedures is required when an appliance with flammable refrigerants is in question.
- Training for these procedures is carried out by national training organizations and manufacturers that are accredited to teach relevant national competency standards.
- The achieved competence should be documented by a certificate.

Training

Training should include the following:

- Information about the explosion potential of flammable refrigerants to show that flammable substances may be dangerous when handled without care.
- Information about potential ignition sources, especially those that are not obvious, such as light switches, vacuum cleaners, or electric heaters.

Information about various safety concepts:

- **In the case of unventilated enclosure**– (see Clause GG.2) Safety of the appliance does not depend on ventilation of the appliance housing.

Switching off the appliance and opening the housing has no significant effect on the safety. Nevertheless, it is possible that leaking refrigerant could accumulate inside the enclosure and that flammable refrigerant could be released when the housing is opened.

- **In the case of ventilated enclosure** – (see Clause GG.4) Safety of the appliance depends on ventilation of the housing. Switching off the appliance and/or opening the enclosure has a significant effect on safety. Care should be taken to ensure sufficient ventilation before housing is opened.
- **Ventilated room** – (see Clause GG.5) Safety of the appliance depends on the ventilation of the room. Switching off the appliance or opening the housing has no significant effect on the safety. The ventilation of the room should not be shut off during repair procedures.
- Information about the concept of sealed components and sealed enclosures according to IEC 60079-15:2010.

Information about correct working procedures:

a) Commissioning

- Ensure that the floor area is sufficient for the refrigerant charge or that the ventilation duct is assembled in the correct manner.
- Connect the pipes and carry out a leak test before charging with refrigerant.
- Check safety equipment before using.

b) Maintenance

- Portable equipment should be repaired outside or in a workshop specially equipped for servicing units with flammable refrigerants.
- Ensure sufficient ventilation at the repair location.
- Be aware that malfunction of the equipment could be caused by refrigerant loss and therefore a refrigerant leak is possible.
- Discharge capacitors in a way that will not create sparking. Be aware that the standard procedure for short circuiting capacitor terminals usually creates sparks.
- Reassemble sealed enclosures accurately. If seals are worn, replace them.
- Check safety equipment before using.

c) Repair

- Portable equipment shall be repaired outside or in a workshop specially equipped for servicing units with flammable refrigerants.
- Ensure sufficient ventilation at the repair location.
- Be aware that malfunction of the equipment might be caused by refrigerant loss and that a refrigerant leak is possible.

- Discharge capacitors in a way that will not create sparking.
- When brazing is required, the following procedures should be carried out in the following order:
 - Safely remove the refrigerant following local and national regulations. If the recovery is not required by national regulations, drain the refrigerant to the outside. Take care that the drained refrigerant will not cause any danger. In doubt, one person should guard the outlet. Take special care that drained refrigerant will not float back into the building.
 - Purge the refrigerant circuit with oxygen-free nitrogen.
 - Evacuate the refrigerant circuit.
 - Purge the refrigerant circuit with nitrogen for 5 min (not required for A2L refrigerants).
 - Evacuate again (not required for A2L refrigerants).
 - Remove parts to be replaced by cutting or brazing.
 - Purge the braze point with nitrogen during the brazing procedure required for repair.
 - Carry out a leak test before charging with refrigerant.

d) Decommissioning

- Refrigerant charge should be removed before decommissioning.
- Ensure sufficient ventilation at the equipment location.
- Be aware that malfunction of the equipment may be caused by refrigerant loss and a refrigerant leak is possible.
- Discharge capacitors in a way that will not create sparking.
- Remove the refrigerant. If the recovery is not required by national regulations, drain the refrigerant to the outside. Take care that the drained refrigerant will not cause any danger. In doubt, one person should guard the outlet. Take special care that drained refrigerant will not float back into the building.
- Evacuate the refrigerant circuit.
- Purge the refrigerant circuit with nitrogen for 5 min.
- Evacuate again.
- Fill with nitrogen up to atmospheric pressure.
- Put a label on the equipment that the refrigerant is removed.

e) Disposal

- Ensure sufficient ventilation in the workspace.
- Remove the refrigerant. If the recovery is not required by national regulations, drain the refrigerant to the outside. Take care that the drained refrigerant will not cause any danger. In doubt, one person should guard the

outlet. Take special care that drained refrigerant will not float back into the building.

- When flammable refrigerants are used,
 - a) Evacuate the refrigerant circuit.
 - b) Purge the refrigerant circuit with oxygen-free nitrogen.
 - c) Evacuate again (not required for A2L refrigerants).
 - d) Cut out the compressor and drain the oil.
- Evacuate the refrigerant circuit.
- Purge the refrigerant circuit with nitrogen for 5 min.
- Evacuate again.
- Cut out the compressor and drain the oil.

Transportation, marking, and storage for units that employ flammable refrigerants

- **ATTENTION:** Additional transportation regulations may exist with respect to equipment containing flammable gas. The maximum number of pieces of equipment or the configuration of the equipment permitted to be transported together will be determined by applicable transport regulations.

Marking of equipment using signs

- Proper signage for similar appliances used in work areas is generally addressed by local regulations which will provide the minimum requirements for safety and/or health signage in work locations.
- All required signs are to be maintained, and employers should ensure that employees receive suitable and sufficient instruction and training on the meaning of appropriate safety signs and the actions that need to be taken in connection with these signs.
- The effectiveness of signs should not be diminished by too many signs being placed together.
- Any pictograms used should be as simple as possible and contain only essential details.

Disposal of equipment using flammable refrigerants

- See national regulations.

Storage of equipment/appliances

- The storage of equipment should be in accordance with manufacturer instructions.
- For storage of packed (unsold) equipment, package protection should be constructed such that mechanical damage to the equipment inside the package will not cause a refrigerant leak.

- The maximum number of pieces of equipment permitted to be stored together will be determined by local regulations.

LIMITED MANUFACTURER'S WARRANTY

This appliance is covered by a limited manufacturer's warranty. For one year from the original date of purchase, the manufacturer will repair or replace any parts of this appliance that prove to be defective in materials and workmanship, provided the appliance has been used under normal operating conditions as intended by the manufacturer.

Warranty Terms:

During the first year, any components of this appliance found to be defective due to materials or workmanship will be repaired or replaced, at the manufacturer's discretion, at no charge to the original purchaser. The purchaser will be responsible for any removal or transportation costs.

Warranty Exclusions:

The warranty will not apply if damage is caused by any of the following:

- Power failure
- Damage in transit or when moving the appliance
- Improper power supply such as low voltage, defective household wiring or inadequate fuses
- Accident, alteration, misuse or abuse of the appliance such as using non-approved accessories, inadequate air circulation in the room or abnormal operating conditions (extreme temperatures)
- Use in commercial or industrial applications
- Fire, water damage, theft, war, riot, hostility or acts of God such as hurricanes, floods, etc.
- Use of force or damage caused by external influences
- Partially or completely dismantled appliances
- Excess wear and tear by the user

Obtaining Service:

When making a warranty claim, please have the original bill of purchase with the purchase date available. Once confirmed that your appliance is eligible for warranty service, all repairs will be performed by a Newair™ authorized repair facility. The purchaser will be responsible for any removal or transportation costs. Replacement parts and/or units will be new, re-manufactured or refurbished and is subject to the manufacturer's discretion. For technical support and warranty service, please email support@newairusa.com

Un nom de confiance

La confiance doit être gagnée et nous allons mériter la vôtre. La satisfaction du client est notre priorité.

De l'usine à l'entrepôt et de la surface de vente à votre domicile, les fabricants des produits Newair font la promesse de vous fournir des produits novateurs, un service exceptionnel et un soutien au moment où vous en avez le plus besoin.

Vous pouvez compter sur Newair

En votre qualité de fier propriétaire d'un produit Newair, nous vous souhaitons la bienvenue dans notre famille. Notre entreprise n'utilise aucun robot, uniquement de véritables personnes pour vous livrer votre produit et de véritables personnes pour vous aider.

Contactez-nous

Veillez contacter notre équipe du service client avant de faire un retour dans votre magasin d'achat. Nous sommes heureux de répondre à toutes vos questions ou préoccupations!

Contactez-nous du lundi au vendredi de 8h à 4h HNP au:

Téléphone : 1 855 963-9247
Courriel : support@newair.com
En ligne : www.newair.com

Un membre de l'équipe vous répondra dans les 24 heures.

Suivez-nous :



Facebook.com/newairusa



Instagram.com/newairusa



YouTube.com/newairusa



Twitter.com/newairusa

LISEZ ET GARDEZ CES INSTRUCTIONS.

Table Des Matières

| | |
|--|----|
| Spécifications | 40 |
| Enregistrez Votre Produit En Ligne | 41 |
| Informations Et Avertissements De Sécurité | 43 |
| Liste Des Pièces | 48 |
| Accessoires | 49 |
| Assemblage Et Installation | 50 |
| Installation | 50 |
| Introduction À L'Installation Du Tuyau d'Échappement | 51 |
| Alarme Bac À Eau Plein | 53 |
| Mode d'Emploi | 54 |
| Apparence et fonction du panneau de commande | 54 |
| Apparence Et Fonction De La Télécommande | 55 |
| Mode d'Emploi | 56 |
| Introduction | 56 |
| Avant d'Utiliser | 56 |
| Opération De Refroidissement | 57 |
| Opération De Déshumidification | 57 |
| Fonctionnement Du Ventilateur | 57 |
| Fonctionnement De La Minuterie | 57 |
| Auto Oscillation | 58 |
| Mode Veille | 58 |
| Évacuation De L'Eau | 58 |
| Nettoyage Et Entretien | 59 |
| Déclaration | 59 |
| Filtre À Air | 59 |
| Nettoyage Du Surface De L'appareil | 60 |
| Dépannage | 61 |
| Instructions Pour La Réparation Des Appareils Contenant Du R32 | 62 |
| Compétence Du Personnel De Service | 69 |
| Garantie Limitée Du Fabricant | 73 |
| Especificaciones | 76 |

SPÉCIFICATIONS

| | |
|------------------------------------|---------------------------------------|
| MODEL No. | NAC12KWH03 |
| VOLTAGE | 115V/60HZ |
| DÉSHUMIDIFICATION | 1.2 pintes/heure |
| TYPE DE COMPRESSOR | Inverser le compresseur |
| RÉFRIGÉRANTE | R32 |
| VITESSE DU VENTILATEUR | 3 |
| MINUTEUR | 1-24 hrs |
| CAPACITÉ DE REFROIDISSEMENT | 12000 BTU (ASHRAE), 8000 BTU (DOE) |

ENREGISTREZ VOTRE PRODUIT EN LIGNE

Enregistrez Votre Produit Newair En Ligne Dès Aujourd'hui !

Profitez de tous les avantages offerts par l'enregistrement du produit:



Service Et Assistance

Diagnostiquer les problèmes de dépannage et de service plus rapidement et avec plus de précision



Notifications De Rappel

Restez à jour pour la sécurité, les mises à jour du système et les notifications de rappel



Promotions Spéciales

S'inscrire aux promotions et offres Newair

L'enregistrement des informations de votre produit en ligne est sûr et sécurisé et prend moins de 2 minutes à compléter:

newair.com/s'inscrire

Alternativement, nous vous recommandons de joindre une copie de votre reçu de vente ci-dessous et d'enregistrer les informations suivantes, situées sur la plaque signalétique du fabricant à l'arrière de l'appareil. Vous aurez besoin de ces informations si cela devient nécessaire pour les demandes de service.

DATE D'ACHAT:

NUMÉRO DE SÉRIE:

Numéro de Modèle: _____

INFORMATIONS ET AVERTISSEMENTS DE SÉCURITÉ



TRÈS IMPORTANT: Veuillez ne pas installer ou utiliser votre climatiseur portatif avant d'avoir lu attentivement ce manuel. Veuillez garder ce manuel d'instructions pour référence future et à des fins de garantie.

AVERTISSEMENT

- N'essayez pas d'accélérer le processus de dégivrage ou d'utiliser des méthodes de nettoyage de l'appareil autres que celles recommandées par le fabricant.
- Rangez l'appareil dans une pièce qui n'abrite pas de sources de chaleur ou d'appareils fonctionnant en continu comme des flammes nues, appareils à gaz ou radiateurs électriques.
- Ne percez ni ne brûlez aucune partie de l'appareil.
- Sachez que les réfrigérants inflammables peuvent ne pas produire d'odeur.



A2L

AVERTISSEMENT (POUR R32)

Informations spécifiques concernant les appareils avec gaz réfrigérant R32.

- Le R32 est un gaz réfrigérant conforme aux directives Européennes sur l'environnement. Ne percez aucune partie du circuit frigorifique.
- Lisez attentivement tous les avertissements.
- Lors du dégivrage et/ou nettoyage de l'appareil, n'utilisez pas d'outils autres que ceux recommandés par le fabricant.
- L'appareil doit être placé dans une zone qui n'abrite pas de sources d'inflammation ou d'appareils fonctionnant en continu comme des flammes nues, appareils à gaz ou radiateurs électriques.
- Ne percez ni ne brûlez aucune partie de l'appareil.
- Si l'appareil est installé, utilisé ou rangé dans un endroit non ventilé, la pièce doit être conçue pour empêcher l'accumulation de fuites de réfrigérant, ce qui pourrait entraîner un risque d'incendie ou d'explosion à cause de

l'inflammation du réfrigérant causée par les radiateurs électriques, poêles, ou autres sources d'inflammation.

- L'appareil doit être rangé de manière à éviter toute défaillance mécanique.
- Les personnes qui opèrent ou travaillent sur le circuit réfrigérant doivent avoir la certification appropriée délivrée par un organisme accrédité qui garantit la compétence dans la manipulation des réfrigérants selon une évaluation spécifique reconnue par les associations de l'industrie.
- Les réparations doivent être faites selon les recommandations du fabricant. L'entretien et les réparations qui exigent l'assistance d'un personnel qualifié doivent être faites sous la supervision d'une personne formée à l'utilisation de réfrigérants inflammables.
- Les conduits raccordés à un appareil ne doivent pas contenir de source potentielle d'inflammation.

- **AVERTISSEMENT** – Risque d'incendie. Réfrigérant inflammable utilisé. À réparer uniquement par du personnel de service qualifié. Ne percez pas les tuyaux de réfrigérant.
- **AVERTISSEMENT** – Risque d'incendie. Réfrigérant inflammable utilisé. Éliminez correctement conformément aux réglementations fédérales ou locales.
- **AVERTISSEMENT** – Risque d'incendie. Réfrigérant inflammable utilisé. Consultez le manuel de réparation/guide du propriétaire avant d'essayer de réparer ce produit. Toutes les précautions de sécurité doivent être respectées.
- **AVERTISSEMENT** – Risque d'incendie. Réfrigérant inflammable utilisé. Suivez attentivement les instructions de manipulation conformément aux réglementations nationales.

CONSIGNES DE SÉCURITÉ GÉNÉRALES

- Cet appareil est destiné à un usage intérieur uniquement.
- N'alimentez pas cet appareil par une prise électrique en réparation ou qui n'a pas été correctement installée.
- N'utilisez pas l'appareil:
 - A: près d'une source d'incendie;
 - B: dans une zone où l'huile est susceptible de se répandre ou d'éclabousser;
 - C: dans une zone exposée à la lumière directe du soleil;
 - D: dans une zone où l'eau est susceptible de se répandre ou d'éclabousser;
 - E: près d'un bain, d'une buanderie, d'une douche ou d'une piscine.

- N'insérez jamais vos doigts ou tout autre objet dans la sortie d'air. Prenez des précautions particulières pour avertir les enfants de ces dangers.
- Maintenez l'appareil en position verticale pendant le transport, l'entreposage et l'utilisation.
- Avant de nettoyer l'appareil, éteignez toujours l'appareil et débranchez l'alimentation électrique.
- Quand vous déplacez l'appareil, éteignez toujours l'appareil et débranchez l'alimentation électrique. Déplacez l'appareil lentement.
- Pour éviter tout risque d'incendie, l'appareil ne doit jamais être couvert pendant son fonctionnement.
- Les prises électriques utilisées pour alimenter l'appareil doivent être conformes aux exigences locales de sécurité électrique. Si nécessaire, veuillez vérifier ces exigences.
- Les enfants doivent être surveillés pour s'assurer qu'ils ne jouent pas avec l'appareil.
- Si le cordon d'alimentation est endommagé, il doit être remplacé par le fabricant, un agent de service ou une personne de qualification similaire pour éviter tout danger.
- Cet appareil peut être utilisé par des enfants âgés de 8 ans et plus et par des personnes ayant des capacités physiques, sensorielles ou mentales réduites ou un manque d'expérience et de connaissances si elles sont supervisées ou reçoivent des instructions concernant l'utilisation de l'appareil en toute sécurité et comprennent les risques encourus. Les enfants ne doivent jamais être permis à jouer avec l'appareil. Le nettoyage et l'entretien ne doivent jamais être faites par des enfants sans surveillance.
- Cet appareil n'est pas destiné à être utilisé par des personnes (y compris des enfants) ayant des capacités physiques, sensorielles ou mentales réduites, ou un manque d'expérience et de connaissances, à moins qu'elles n'aient reçu une supervision ou des instructions concernant l'utilisation de l'appareil par une personne responsable de leur sécurité.
- L'appareil doit être installé conformément aux réglementations nationales en matière de câblage.
- **Recyclage:** Le symbole illustré à droite indique que ce produit ne doit pas être jeté avec les autres déchets ménagers. Pour éviter d'éventuels dommages à l'environnement ou à la santé humaine résultant d'une élimination incontrôlée des déchets, recyclez cet article de manière responsable afin de promouvoir la réutilisation durable des ressources matérielles. Pour retourner votre appareil usagé, veuillez utiliser les systèmes de retour et de collecte ou contactez le détaillant où le produit a été acheté. Les détaillants associés



peuvent prendre ce produit pour un recyclage respectueux de l'environnement.

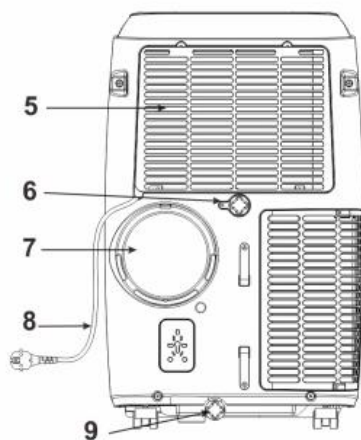
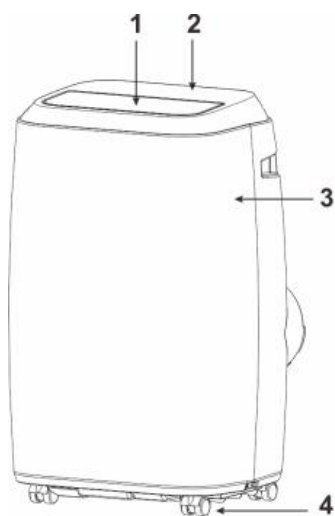
- Contactez un technicien de service agréé pour la réparation ou l'entretien de cet appareil.
- Ne tirez pas, ne déformez pas, ne modifiez pas le cordon d'alimentation ou ne l'immergez pas dans l'eau, ce qui pourrait endommager l'appareil et/ou provoquer un choc électrique.
- La conformité avec les réglementations nationales en matière de gaz doit être respecté.
- Gardez les ouvertures de ventilation dégagées de toute obstruction.
- Toute personne impliquée dans le travail ou l'ouverture d'un circuit de réfrigérant doit détenir un certificat valide en cours délivré par une autorité d'évaluation accréditée par l'industrie, qui autorise sa compétence à manipuler les réfrigérants en toute sécurité conformément à une spécification d'évaluation reconnue par l'industrie.
- L'entretien de cet appareil ne doit être faite que selon les recommandations du fabricant. L'entretien et les réparations exigeant l'assistance d'un autre personnel qualifié doivent être faites sous la supervision d'une personne compétente dans l'utilisation de réfrigérants inflammables.
- N'allumez ou n'éteignez pas l'appareil en insérant ou en tirant sur le cordon d'alimentation, parce que ça pourrait provoquer un choc électrique ou un incendie.
- Éteignez et débranchez l'appareil si des sons étranges, des odeurs ou de la fumée s'en dégagent.
- **Déclaration d'impédance:** Ces appareils ne peuvent être connectés qu'à une alimentation dont l'impédance du système ne dépasse pas 0.367Ω . Si nécessaire, consultez votre autorité d'approvisionnement pour obtenir des informations sur l'impédance du système.

Remarques:

- Si l'appareil ou l'une de ses pièces est ou devient endommagée, veuillez contacter le détaillant ou un atelier de réparation désigné.
- En cas de dommages, veuillez éteindre l'interrupteur pneumatique, débrancher l'alimentation électrique et contacter le détaillant ou un atelier de réparation désigné.
- Dans tous les cas, le cordon d'alimentation doit être fermement mis à la terre.
- Si le cordon d'alimentation est endommagé, veuillez éteindre l'interrupteur d'air et débrancher l'alimentation électrique. Le cordon doit être remplacé

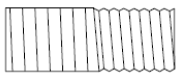





par le détaillant ou un atelier de réparation désigné. Pour éviter tout danger, n'essayez pas de réparer le cordon d'alimentation.

LISTE DES PIÈCES



- 1 Volet
- 2 Panneau de commande
- 3 Couvercle avant
- 4 Roulette
- 5 Entrée d'air
- 6 Sortie de vidange
- 7 Sortie d'air
- 8 Cordon d'alimentation
- 9 Sortie de vidange

ACCESSOIRES

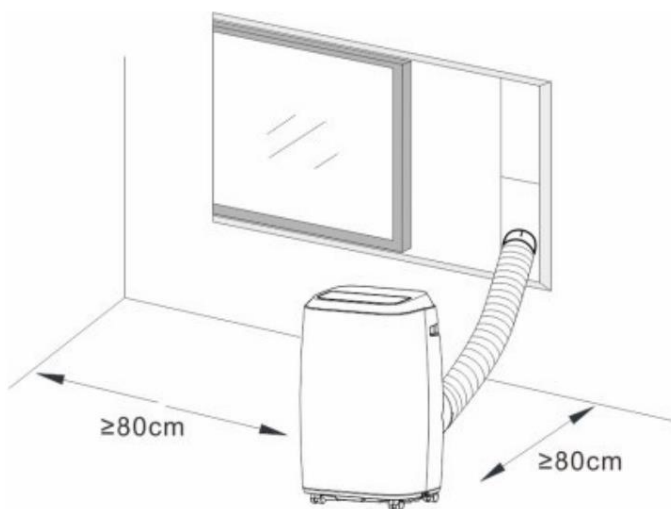
| Pièce | Description | Quantité |
|---|-----------------------|----------|
|  | Tuyau d'évacuation | 1 |
|  | Connecteur de fenêtre | 1 |
|  | Adaptateur de boîtier | 1 |
|  | Télécommande | 1 |
|  | Kit fenêtre | 1 |
|  | Kit de fenêtre | 1 |

Après le déballage, veuillez vérifier que les accessoires mentionnés ci-dessus sont inclus et revoir leurs objectifs dans la section d'installation de ce manuel.

ASSEMBLAGE ET INSTALLATION

INSTALLATION

- Pour une installation correcte, cet appareil doit être installé sur une surface plane. Assurez-vous que la sortie d'air n'est pas bloquée et que tous les côtés de l'appareil sont dégagés d'au moins 1 pi (voir Fig.8).
- Cet appareil ne doit pas être installé dans un endroit humide comme une buanderie ou salle de bain.
- Cet appareil ne doit pas être installé dans une installation de nettoyage à sec.
- Les prises électriques alimentant cet appareil doivent être câblées conformément aux exigences de sécurité locales.



(Fig.8)

INTRODUCTION À L'INSTALLATION DU TUYAU D'ÉCHAPPEMENT

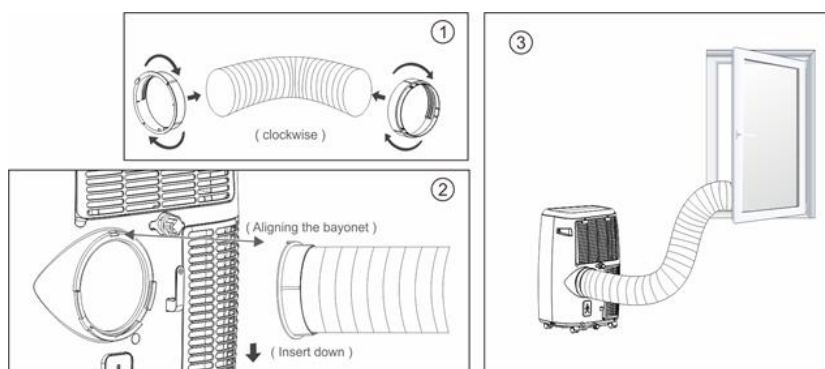


Fig.9

Installation temporaire

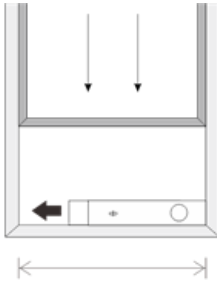
1. Tournez les deux extrémités du tuyau d'évacuation dans le clip de fixation carré et le clip de fixation plat.
2. Insérez le clip de fixation carré dans les ouvertures à l'arrière du climatiseur (voir Fig.9).
3. Placez l'autre extrémité du tuyau d'évacuation sur un rebord de fenêtre à proximité.

Installation du Kit De Glissière De Fenêtre

Le kit de glissière de fenêtre inclus avec cet appareil peut s'adapter à une installation horizontale ou verticale. Comme le montrent les Fig.10 et Fig.10a, vérifiez la taille minimale et maximale de votre fenêtre avant l'installation.

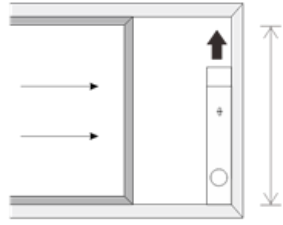
1. Installez le kit de fenêtre dans la fenêtre (Fig.10, Fig.10a);
2. Ajustez la longueur du kit de glissière de fenêtre selon la largeur ou la hauteur de la fenêtre et fixez-le avec le goujon.
3. Insérez le tuyau du connecteur de fenêtre dans le trou du kit de fenêtre.

①



Window width
min:67.5cm
max:123cm

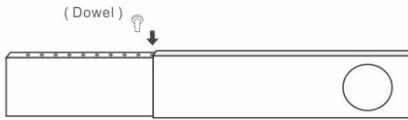
(Fig.10)



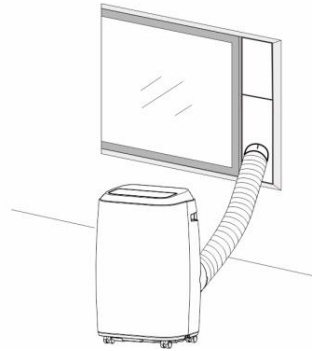
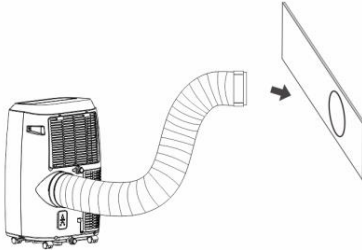
Window height
min:67.5cm
max:123cm

(Fig.10a)

②

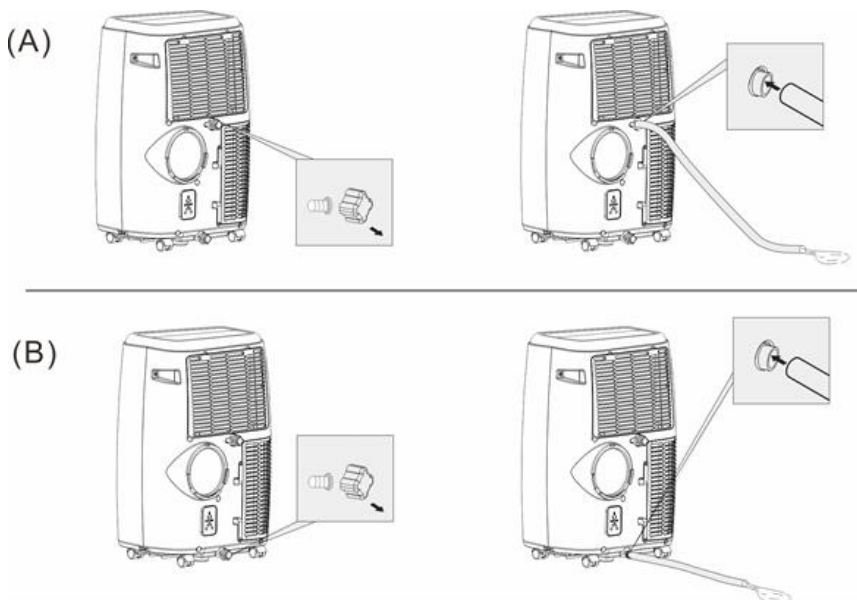


③



ALARME BAC À EAU PLEIN

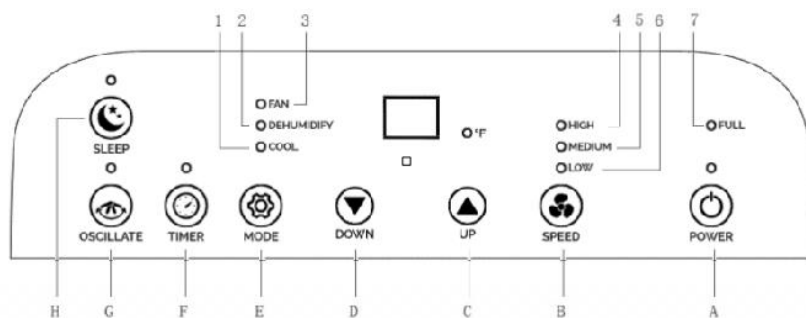
Le bac à eau à l'intérieur du climatiseur a un interrupteur de sécurité de niveau d'eau qui contrôle le niveau d'eau. Quand le niveau d'eau atteint une hauteur spécifiée, le voyant associé s'allume. (Si la pompe à eau est endommagée, quand le bac à eau est plein, veuillez enlever le bouchon en caoutchouc au bas de l'appareil pour évacuer l'eau).



MODE D'EMPLOI

APPARENCE ET FONCTION DU PANNEAU DE COMMANDE

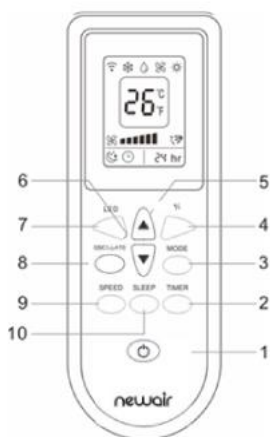
Modèle froid seul



| | | | |
|---|--------------------------|---|-----------------------------|
| A | Marche / arrêt | 1 | Refroidissement |
| B | Vitesse du ventilateur | 2 | Déshumidification |
| C | Température haut | 3 | Ventilateur |
| D | Température basse | 4 | Ventilateur vitesse haute |
| E | Mode de fonctionnement | 5 | Ventilateur vitesse moyenne |
| F | Minuterie marche/arrêt | 6 | Ventilateur vitesse basse |
| G | Oscillation marche/arrêt | 7 | Eau plein |
| H | Mode veille | | |

APPARENCE ET FONCTION DE LA TÉLÉCOMMANDE

Télécommande sans affichage



| | | |
|---|-----------|---------------------------|
| 1 | POWER | Alimentation marche/arrêt |
| 2 | MINUTERIE | Minuterie marche/arrêt |
| 3 | MODE | Mode de fonctionnement |
| 4 | TEMP- | Température bas |
| 5 | TEMP+ | Température haut |
| 6 | VITESSE | Vitesse du ventilateur |
| 7 | VEILLE | Mode veille |
| 8 | OSC. | Oscillation automatique |

REMARQUES:

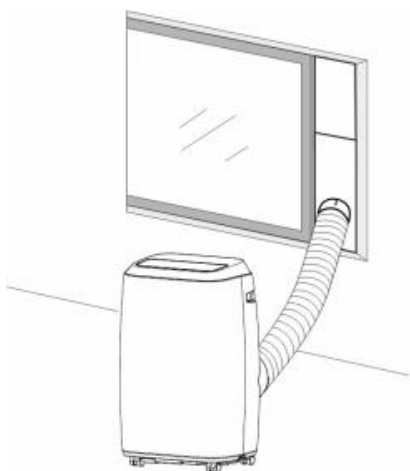
- Ne laissez pas tomber la télécommande.
- Ne placez pas la télécommande dans un endroit exposé à la lumière directe du soleil.

MODE D'EMPLOI

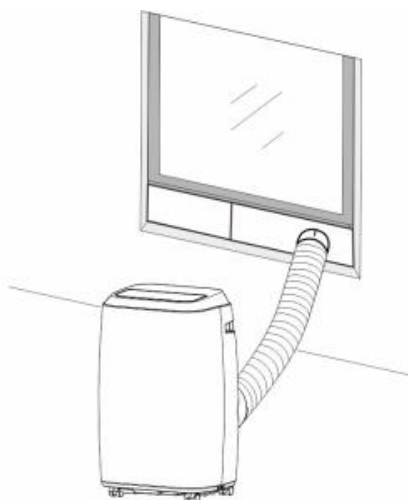
INTRODUCTION

Avant d'utiliser cet appareil:

- 1) Trouvez un endroit avec une alimentation électrique à proximité.
- 2) Tel qu'illustré à la Fig.5 et Fig.5a, installez solidement le tuyau d'évacuation et ajustez la position de la fenêtre au besoin (voir les instructions détaillées ci-dessus).



(Fig.5)



(Fig.5a)

- 3) Raccordez solidement le tuyau de vidange (uniquement pour le modèle chauffant).
- 4) Insérez le cordon d'alimentation dans une prise CA115V/60Hz mise à la terre.
- 5) Appuyez sur le bouton POWER pour allumer l'appareil.

AVANT D'UTILISER

REMARQUE:

Gamme de température de fonctionnement:

| | Refroidissement maximum | Refroidissement minimum |
|-----------|-------------------------|-------------------------|
| DB/WB(°F) | 95/75 | 64/54 |

IMPORTANT: Avant d'utiliser cet appareil, vérifiez que le tuyau d'évacuation a été correctement monté.

ATTENTION - Pour les opérations de refroidissement et déshumidification:

- Lors de l'utilisation des fonctions de refroidissement et déshumidification, maintenez un intervalle d'au moins 3 minutes entre chaque mise sous/hors tension.
- Assurez-vous que l'alimentation électrique de l'appareil répond aux exigences spécifiées ci-dessus.
- Assurez-vous que la prise électrique est destinée à une utilisation en courant alternatif.
- Ne partagez pas la prise d'alimentation avec d'autres appareils.
- L'alimentation électrique de cet appareil doit être CA115V/60Hz.

OPÉRATION DE REFROIDISSEMENT

- Appuyez sur le bouton MODE jusqu'à ce que l'icône FRAIS apparaisse.
- Appuyez sur les boutons BAS ou HAUT pour sélectionner la température ambiante désirée (61°F à 88°F).
- Appuyez sur le bouton VENT pour sélectionner la vitesse du ventilateur.

OPÉRATION DE DÉSHUMIDIFICATION

- Appuyez sur le bouton MODE jusqu'à ce que l'icône DÉSHUM apparaisse.
- Réglez la température sélectionnée sur la température ambiante actuelle moins 2 °F.
- Réglez le ventilateur sur une vitesse de ventilateur BASSE.

FONCTIONNEMENT DU VENTILATEUR

- Appuyez sur le bouton MODE jusqu'à ce que l'icône VENT apparaisse.
- Appuyez sur le bouton VENT pour sélectionner la vitesse du ventilateur.

FONCTIONNEMENT DE LA MINUTERIE

Pour régler une minuterie pour la mise sous tension:

- Appuyez sur le bouton MINUTERIE et sélectionnez l'heure à laquelle l'appareil doit s'allumer à l'aide des boutons de réglage de l'heure. Vous pouvez également sélectionner une température désirée.
- "Preset ON Time" s'affichera sur le panneau de commande.
- "ON Time" peut être réglé pour n'importe quel temps de 0 à 24 heures.

- Appuyez à nouveau sur le bouton MINUTERIE pour confirmer les réglages. Le voyant de la minuterie s'allumera.
- Pour désactiver la fonction minuterie, appuyez sur la touche MINUTERIE jusqu'à ce que le voyant de la minuterie s'éteigne.

Pour régler une minuterie pour la mise hors tension:

- Quand le climatiseur est allumé, appuyez sur le bouton MINUTERIE et sélectionnez l'heure d'arrêt désirée à l'aide des boutons de réglage de l'heure.
- "Preset OFF Time" s'affichera sur le panneau de commande.
- "OFF Time" peut être réglé pour n'importe quel temps de 0 à 24 heures.
- Appuyez à nouveau sur le bouton MINUTERIE pour confirmer les réglages. Le voyant de la minuterie s'allumera.
- Pour désactiver la fonction minuterie, appuyez sur le bouton MINUTERIE jusqu'à ce que le voyant de la minuterie s'éteigne.

AUTO OSCILLATION

Une fois l'appareil allumé, appuyez sur le bouton OSC. Le volet se déplacera alors continuellement de haut en bas. En appuyant à nouveau sur ce bouton, le mouvement s'arrêtera et le volet restera en position d'arrêt.

MODE VEILLE

- En mode refroidissement, appuyez sur le bouton VEILLE pour régler la température de début désirée. La température réglée augmentera de 2°F après une heure et de 4°F après 2 heures.
- Appuyez à nouveau sur le bouton VEILLE pour annuler ces réglages.

ÉVACUATION DE L'EAU

Alarme de Bac À Eau Plein

Le bac à eau à l'intérieur du climatiseur a un interrupteur de sécurité de niveau d'eau qui contrôle le niveau d'eau. Quand le niveau d'eau atteint une hauteur spécifiée, le voyant associé s'allume. (Si la pompe à eau est endommagée, quand le bac à eau est plein, veuillez enlever le bouchon en caoutchouc au bas de l'appareil pour vider l'eau).

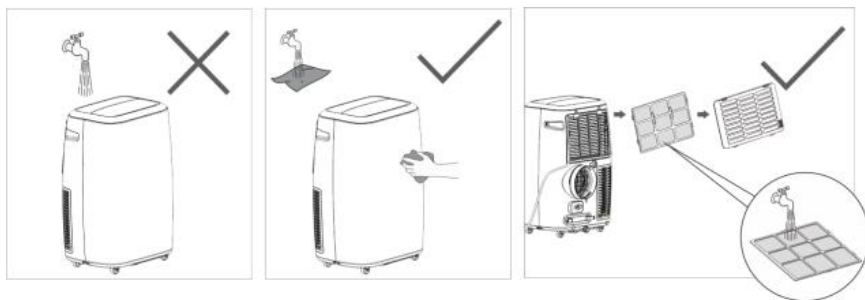
Drainage Continu

- Si vous prévoyez de laisser cet appareil inutilisé pendant une période prolongée, veuillez enlever le bouchon en caoutchouc du trou de drainage au bas de l'appareil et connecter un tuyau de drainage au clip de fixation inférieur.
- Vous pouvez également vidanger l'eau de cette façon quand l'appareil fonctionne en mode CHALEUR.
- Si la pompe à eau est endommagée, un drainage continu peut être utilisé en fixant un tuyau de drainage à l'appareil et en le plaçant dans un drain ou un réceptacle suffisant. L'unité peut aussi fonctionner correctement de cette façon.
- Si la pompe à eau est endommagée, un drainage intermittent peut également être utilisé. Dans ces conditions, faites attention au moment où le voyant de remplissage d'eau s'allume. Ensuite, connectez un tuyau de vidange au clip de fixation inférieur pour permettre à toute l'eau du bac à eau de s'écouler. L'unité peut fonctionner correctement de cette façon.

NETTOYAGE ET ENTRETIEN

DÉCLARATION

1. Avant de nettoyer, assurez-vous d'éteindre et de débrancher l'appareil de sa prise d'alimentation.
2. N'utilisez pas d'essence ou d'autres produits chimiques pour nettoyer l'appareil.
3. Ne pas laver l'intérieur de l'appareil directement.
4. Si l'appareil est endommagé, veuillez contacter le détaillant ou un technicien de réparation.



FILTRE À AIR

- Le filtre à air doit être nettoyé une fois toutes les deux semaines pour éviter qu'il ne se bouche avec de la poussière ou de la saleté.

- Démontage: Ouvrez la grille d'entrée d'air et enlevez le filtre à air.
- Nettoyage: Nettoyez le filtre à air avec un détergent neutre dans de l'eau tiède (104°F) et laissez-le sécher à l'air libre dans un endroit ombragé.
- Montage: Placez le filtre à air dans la grille d'admission et remplacez tous les composants tels qu'ils étaient.

NETTOYAGE DE LA SURFACE DE L'APPAREIL

Nettoyez la surface de l'appareil avec un détergent neutre et un chiffon humide, puis essuyez-le avec un chiffon sec.

DÉPANNAGE

| Problème | Cause Possible | Solution |
|--|--|--|
| 1. L'unité ne démarre pas quand on appuie sur le bouton marche/arrêt | - Le réservoir d'eau est plein (vérifiez si le voyant d'eau plein clignote). | Videz le réservoir d'eau. |
| | - La température ambiante est supérieure à la température de réglage (mode chauffage). | Réinitialisez la température. |
| | - La température ambiante est inférieure à la température de réglage (mode refroidissement). | Réinitialisez la température. |
| 2. L'unité ne refroidit pas efficacement l'espace | - Les portes ou fenêtres sont ouvertes. | Assurez-vous que toutes les fenêtres et portes sont fermées. |
| | - Il y a des sources de chaleur à l'intérieur de la pièce. | Enlevez les sources de chaleur si possible. |
| | - Le tuyau d'évacuation est déconnecté ou bloqué. | Rebranchez ou nettoyez le tuyau d'évacuation d'air. |
| | - Le réglage de la température est trop élevé. | Réinitialisez la température. |
| | - L'entrée d'air est bloquée. | Nettoyez l'entrée d'air. |
| 3. L'unité est bruyante | - Le sol est irrégulier ou insuffisamment nivelé. | Placez l'appareil sur un sol plat et de niveau. |
| | - (Si le bruit ressemble à celui d'un écoulement d'eau) Le son provient du fluide frigorigène qui s'écoule à l'intérieur du climatiseur. | C'est normal. |
| 4. Code E0 | Défaillance du capteur de température ambiante | Remplacez le capteur de température ambiante (remarque: l'appareil fonctionnera quand même sans remplacement). |
| 5. Code E1 | Défaillance du capteur de température du condenseur | Remplacez le capteur de température du condenseur. |
| 6. Code E2 | Réservoir d'eau plein lors du refroidissement | Videz le réservoir d'eau. |
| 6. Code E3 | Le capteur de température de l'évaporateur a échoué | Remplacez le capteur de température de l'évaporateur. |
| 7. Code E4 | Réservoir d'eau plein lors du chauffage | Videz le réservoir d'eau. |

INSTRUCTIONS POUR LA RÉPARATION DES APPAREILS CONTENANT DU R32

1. INSTRUCTIONS GÉNÉRALES

- **IMPORTANT:** Avant de travailler sur des systèmes contenant des réfrigérants inflammables, des contrôles de sécurité sont nécessaires pour s'assurer que le risque d'inflammation est minimisé. Les précautions suivantes doivent être respectées avant de faire des travaux de réparation sur cet appareil.
- **Procédure de travail:** Le travail doit être faite de manière et dans un environnement contrôlés afin de minimiser le risque de présence de gaz ou de vapeur inflammable pendant l'exécution du travail.
- **Zone de travail générale:** Tout le personnel d'entretien et les autres personnes travaillant à proximité doivent être informés de la nature du travail faite. Le travail dans des espaces confinés doit être évité. La zone autour de l'espace de travail doit être séparée. Assurez-vous que les conditions dans la zone ont été sécurisées en contrôlant et/ou en enlevant les matériaux inflammables.
- **Vérification de la présence de réfrigérant:** La zone de travail doit être vérifiée avec un détecteur de réfrigérant approprié avant et pendant le travail pour s'assurer que le technicien est conscient des agents potentiellement inflammables dans l'atmosphère. Assurez-vous que l'équipement de détection de fuites utilisé est adapté à une utilisation avec des réfrigérants inflammables (c.-à-d., anti-étincelles, correctement scellés ou à sécurité intrinsèque).
- **Présence d'extincteur:** Si des travaux impliquant de la chaleur doivent être faites sur l'équipement de réfrigération ou sur toute pièce associée, un équipement d'extinction d'incendie approprié doit être facilement disponible. Ayez un extincteur à poudre sèche ou à CO₂ adjacent à la zone de travail immédiate.
- **Aucune source d'inflammation:** Aucune personne effectuant des travaux sur un système de réfrigération impliquant l'exposition de tuyauterie contenant ou ayant contenu des réfrigérants inflammables ne doit utiliser de sources d'inflammation dans la zone de travail ou pendant la réalisation de ces travaux. L'utilisation de toute source d'inflammation (telle qu'une flamme nue) peut entraîner un risque d'incendie ou d'explosion. Toutes les sources d'inflammation possibles, y compris la cigarette, doivent être maintenues suffisamment éloignées du site d'installation, de réparation, de retrait et d'élimination, au cours desquelles un réfrigérant inflammable pourrait éventuellement être libéré dans l'espace environnant. Avant de commencer le travail, la zone autour de l'équipement doit être inspectée pour s'assurer

qu'il n'y a pas de dangers inflammables ou d'inflammation. Des panneaux "Interdiction De Fumer" doivent être affichés.

- **Zone ventilée:** Assurez-vous que la zone de travail est soit à l'extérieur ou, si à l'intérieur, qu'elle soit suffisamment ventilée avant d'ouvrir le système de réfrigération ou de faire tout travail impliquant de la chaleur. La ventilation doit se poursuivre pendant toute la durée des travaux et doit disperser en toute sécurité tout réfrigérant libéré et de préférence l'expulser à l'extérieur dans l'atmosphère.
- **Contrôles des équipements frigorifiques:** Quand des composants électriques sont réparés ou remplacés, ils doivent être installés pour leur usage prévu et selon les spécifications correctes. À tout moment, les directives d'entretien et de service du fabricant doivent être suivies. En cas de doute, consultez le service technique du fabricant pour obtenir de l'aide. Les contrôles suivants doivent être appliqués aux installations utilisant des réfrigérants inflammables: la taille de la charge est conforme à la taille de la pièce dans laquelle les pièces contenant le réfrigérant sont installées; les machines de ventilation et les sorties fonctionnent correctement et ne sont pas obstruées; si un circuit frigorifique indirect est utilisé, le circuit secondaire doit être contrôlé pour la présence de fluide frigorigène; les marquages sur l'équipement doivent continuer à être visibles et lisibles, et les marquages et signes illisibles doivent être corrigés de manière adéquate; les tuyaux ou les composants de réfrigération doivent être installés dans une position où ils sont peu susceptibles d'être exposés à une substance qui pourrait corroder les composants contenant du réfrigérant, à moins que les composants ne soient construits avec des matériaux intrinsèquement résistants à la corrosion ou soient convenablement protégés contre cette corrosion.
- **Contrôles des appareils électriques:** La réparation et l'entretien des composants électriques doivent inclure des contrôles de sécurité initiaux et des procédures d'inspection des composants. S'il existe un problème susceptible de compromettre la sécurité, aucune alimentation électrique ne doit être connectée au circuit jusqu'à ce que le problème soit résolu de manière satisfaisante. Si le problème ne peut pas être corrigé immédiatement mais qu'il est nécessaire de poursuivre l'opération, une solution temporaire adéquate doit être utilisée. Ceci doit être rapporté au propriétaire de l'équipement afin que toutes les parties soient au courant des circonstances. Les contrôles de sécurité initiaux doivent inclure: vérifier que les condensateurs sont déchargés (ceci doit être fait de manière sûre pour éviter la possibilité d'étincelles); vérifier qu'il n'y a pas de composants électriques ou de câblage sous tension exposés lors de la charge,

récupération ou purge du système; vérifier qu'il y a continuité de mise à la terre.

- Toutes les procédures de maintenance, d'entretien et de réparation susceptibles d'avoir un impact sur la sécurité ne doivent être faites que par des personnes compétentes conformément à l'Annexe HH (compétence du personnel d'entretien telle qu'indiquée par la formation dispensée par des organismes de formation nationaux accrédités pour enseigner les normes de compétence nationales pertinentes. La compétence acquise doit être documentée par un certificat).
- Tout le personnel effectuant des travaux sur le système de réfrigération doit porter une certification valide délivrée par un organisme autorisé et les qualifications pour traiter les systèmes de réfrigération reconnues par cette industrie. Si d'autres techniciens sont nécessaires pour entretenir ou réparer l'appareil, ils doivent être supervisés par une personne possédant les qualifications nécessaires pour travailler avec des réfrigérants inflammables.

2. RÉPARATION DES COMPOSANTS SCÉLLÉS

- Pendant les réparations des composants scellés, toutes les alimentations électriques doivent être déconnectées de l'équipement sur lequel on travaille avant tout retrait des couvercles scellés, etc. S'il est absolument nécessaire d'avoir une alimentation électrique de l'équipement pendant l'entretien, une forme de détection de fuite fonctionnant en permanence doit être située au point le plus critique pour avertir d'une situation potentiellement dangereuse.
- Une attention particulière doit être portée aux points suivants pour s'assurer qu'en travaillant sur des composants électriques, les boîtiers ne seront pas modifiés de manière à affecter le niveau de protection. Les dangers comprennent des dommages aux câbles, un nombre excessif de connexions, des bornes non conformes aux spécifications d'origine, des dommages aux joints, un montage incorrect des presse-étoupes, etc. Assurez-vous que l'appareil électrique est monté solidement. Assurez-vous que les joints ou les matériaux d'étanchéité ne se sont pas dégradés au point de ne plus servir à empêcher la pénétration de substances inflammables. Les pièces de rechange doivent toujours être conformes aux spécifications du fabricant.
- **REMARQUE:** L'utilisation de mastic silicone peut inhiber l'efficacité de certains types d'équipements de détection de fuites. Les composants à sécurité intrinsèque n'ont pas besoin d'être isolés avant de travailler dessus.

3. RÉPARATION DES COMPOSANTS À SÉCURITÉ INTRINSÈQUE

- N'appliquez aucune charge inductive ou capacitive permanente au circuit sans vous assurer que cela ne dépassera pas la tension et le courant autorisés pour l'équipement utilisé.

- Les composants à sécurité intrinsèque sont les seuls types sur lesquels on peut travailler en présence de matériaux inflammables. L'appareil d'essai doit donner une note appropriée. Remplacez les composants uniquement par des pièces spécifiées par le fabricant. D'autres pièces peuvent provoquer l'inflammation du réfrigérant dans l'atmosphère à la suite d'une fuite.

4. CÂBLAGE

- Vérifiez que le câblage ne sera pas soumis à l'usure, la corrosion, une pression excessive, des vibrations, des arêtes vives ou tout autre effet environnemental négatif. Le contrôle doit également tenir compte des effets du vieillissement ou des vibrations continues provenant de sources comme les compresseurs ou les ventilateurs.

5. DÉTECTION DE FRIGORIGÈNES INFLAMMABLES

- En aucun cas, des sources potentielles d'inflammation ne doivent être utilisées pour rechercher ou détecter des fuites de réfrigérant. Un chalumeau aux halogénures (ou tout autre détecteur utilisant une flamme nue) ne doit jamais être utilisé.

6. MÉTHODES DE DETECTION DE FUITES

- Les méthodes de détection de fuites suivantes sont jugées acceptables pour les systèmes contenant des réfrigérants inflammables. Des détecteurs de fuites électroniques peuvent être utilisés, mais leur sensibilité peut ne pas être adéquate ou exiger un recalibrage. (L'équipement de détection doit être calibré dans une zone sans réfrigérant.) Assurez-vous que le détecteur n'est pas une source potentielle d'inflammation et qu'il est adapté au réfrigérant utilisé. L'équipement de détection des fuites doit être réglé à un pourcentage de la LFL du réfrigérant et doit être calibré selon le réfrigérant utilisé et le pourcentage de gaz approprié (25% maximum) est confirmé.
- Les fluides de détection de fuites conviennent à la plupart des réfrigérants, mais l'utilisation de détergents contenant du chlore doit être évitée car le chlore peut réagir avec le réfrigérant et corroder la tuyauterie en cuivre.
- **REMARQUE:** Des exemples de méthodes de détection de fuite de fluide sont
 - méthode des bulles,
 - méthode des agents fluorescents
- Si une fuite est soupçonnée, toutes les flammes nues doivent être enlevées/éteintes immédiatement. Si une fuite de réfrigérant exigeant un brasage est détectée, tout le réfrigérant doit être récupéré du système ou isolé (au moyen de vannes d'arrêt) dans une partie du système éloignée de la fuite. L'élimination du réfrigérant doit être faite conformément à la section 7 ci-dessous.

7. ENLÈVEMENT ET ÉVACUATION

- Lors de l'ouverture du circuit frigorifique pour faire des réparations (ou à toute autre fin), des procédures standard doivent être utilisées. Cependant, pour les réfrigérants inflammables, il est important de suivre les meilleures pratiques. La procédure suivante doit être suivie:
 - a) enlever le réfrigérant en toute sécurité conformément aux réglementations locales et nationales;
 - b) purger le circuit avec un gaz inerte;
 - c) évacuer (facultatif pour A2L);
 - d) purger le circuit avec un gaz inerte (optionnel pour A2L);
 - e) ouvrir le circuit par coupage ou brasage.
- La charge de réfrigérant doit être récupérée dans les cylindres de récupération appropriés si la ventilation n'est pas autorisée par les codes locaux et nationaux. Pour les appareils contenant des réfrigérants inflammables, le système doit être purgé avec de l'azote sans oxygène pour rendre l'appareil sûr pour les réfrigérants inflammables. Ce processus peut devoir être répété plusieurs fois. L'air comprimé ou l'oxygène ne doivent pas être utilisés pour purger les systèmes réfrigérants.
- Pour les appareils contenant des réfrigérants inflammables, la purge du réfrigérant doit être réalisée en brisant le vide dans le système avec de l'azote sans oxygène et en continuant à remplir jusqu'à ce que la pression de service soit atteinte, puis en évacuant dans l'atmosphère, et enfin en tirant vers un vide (facultatif pour A2L). Ce processus doit être répété jusqu'à ce qu'il ne reste plus de réfrigérant dans le système (facultatif pour A2L). Quand la charge finale d'azote sans oxygène est utilisée, le système doit être ventilé jusqu'à la pression atmosphérique pour permettre le travail.
- Assurez-vous que la sortie de la pompe à vide n'est pas à proximité de sources d'inflammation et qu'il y a une ventilation adéquate.

8. PROCÉDURES DE CHARGE

En plus des procédures de charge conventionnelles, les exigences suivantes doivent être respectées:

- Assurez-vous que la contamination des différents réfrigérants ne se produit pas lors de l'utilisation de l'équipement de charge. Les tuyaux ou conduites doivent être aussi courts que possible pour minimiser la quantité de réfrigérant qu'ils contiennent.
- Les cylindres doivent être maintenus debout.
- Assurez-vous que le système de réfrigération est mis à la terre avant de charger le système avec du réfrigérant.
- Étiquetez le système quand la charge est terminée (s'il n'a pas déjà été étiqueté).

- Des précautions extrêmes doivent être prises pour ne pas trop remplir le système de réfrigération.
- Avant de recharger le système, il doit être testé sous pression avec OFN. Le système doit être testé pour les fuites à la fin de la charge mais avant la mise en service. Un test d'étanchéité de suivi doit être faite avant de quitter le site.

9. MISE HORS SERVICE

Avant de faire cette procédure, il est essentiel que le technicien soit parfaitement familiarisé avec l'équipement et tous les composants. Il est de bonne pratique recommandée que tous les réfrigérants soient récupérés en toute sécurité. Avant de faire la tâche, un échantillon d'huile et de réfrigérant doit être prélevé au cas où une analyse serait requise avant la réutilisation du réfrigérant récupéré. Il est essentiel que l'alimentation électrique soit disponible avant d'entreprendre la tâche. Veuillez respecter les étapes suivantes pour faire cette procédure:

- a) Se familiariser avec l'équipement et son fonctionnement;
- b) Isoler le système électrique;
- c) S'assurer que: l'équipement de manutention est disponible, si nécessaire, pour la manutention des cylindres de réfrigérant; tous les équipements de protection individuelle sont disponibles et utilisés correctement; le processus de récupération est supervisé en tout temps par une personne compétente; les équipements de récupération et les cylindres sont conformes aux normes appropriées;
- d) Pomper le système de réfrigérant, si possible;
- e) Si un vide n'est pas disponible, créez un collecteur afin que le réfrigérant puisse être retiré de diverses parties du système;
- f) S'assurer que le cylindre est situé sur la balance avant de procéder à la récupération;
- g) Commencer le processus de récupération et travailler conformément aux instructions du fabricant;
- h) Ne pas trop remplir les cylindres (pas plus de 80% de volume de charge liquide);
- i) Ne pas dépasser la pression maximale de service du cylindre, même temporairement;
- j) Quand les cylindres ont été correctement remplis et que le processus est terminé, assurez-vous que les cylindres et l'équipement sont retirés du site rapidement et que toutes les vannes d'isolement de l'équipement sont fermées;
- k) Le réfrigérant récupéré ne doit pas être chargé dans un autre système de réfrigération à moins qu'il n'ait été nettoyé et vérifié.

10. ÉTIQUETAGE

- L'équipement doit être étiqueté indiquant qu'il a été mis hors service et vidé de son réfrigérant. L'étiquette doit être datée et signée.
- Assurez-vous qu'il y a des étiquettes sur l'équipement indiquant que l'équipement contient un réfrigérant inflammable.

11. RÉCUPÉRATION

- Lors de la suppression du réfrigérant d'un système, que ce soit pour l'entretien ou la mise hors service, il est recommandé de bonne pratique que tous les réfrigérants soient supprimés en toute sécurité. Lors du transfert de réfrigérant dans des cylindres, assurez-vous que seules des cylindres de récupération de réfrigérant appropriées sont utilisées. Assurez-vous que le nombre correct de cylindres pour contenir la charge totale du système est disponible. Toutes les cylindres à utiliser sont désignées pour le réfrigérant récupéré et étiquetées pour ce réfrigérant (c'est-à-dire des cylindres spéciales pour la récupération du réfrigérant). Les cylindres doivent être équipés d'une soupape de surpression et de vannes d'arrêt associées en bon état de fonctionnement. Les cylindres de récupération vides sont évacués et, si possible, refroidis avant la récupération.
- L'équipement de récupération doit être en bon état de fonctionnement avec un ensemble d'instructions concernant l'équipement à disposition et doit être adapté à la récupération des réfrigérants inflammables. De plus, un jeu de balances calibrées doit être disponible et en bon état de fonctionnement. Les tuyaux doivent être équipés de raccords de déconnexion étanches et en bon état. Avant d'utiliser la machine de récupération, vérifiez qu'elle est en bon état de fonctionnement, qu'elle a été correctement entretenue et que tous les composants électriques associés sont scellés pour empêcher l'inflammation en cas de fuite de réfrigérant. Consultez le fabricant en cas de doute.
- Le réfrigérant récupéré doit être retourné au fournisseur de réfrigérant dans le bon cylindre de récupération, et la Note de Transfert de Déchets appropriée doit être rédigée. Ne pas mélanger les fluides frigorigènes dans les récupérateurs et surtout pas dans les cylindres.
- Si des compresseurs ou des huiles de compresseur doivent être enlevés, assurez-vous qu'ils ont été évacués à un niveau acceptable pour s'assurer que le réfrigérant inflammable ne reste pas dans le lubrifiant. Le processus d'évacuation doit être faite avant le retour du compresseur aux fournisseurs. Seul le chauffage électrique du corps du compresseur doit être utilisé pour accélérer ce processus. Quand l'huile est vidangée d'un système, ce processus doit être faite en toute sécurité.

COMPÉTENCE DU PERSONNEL DE SERVICE

Général

- Des informations procédurales supplémentaires aux informations standard concernant les procédures d'installation, de réparation, d'entretien et de mise hors service des appareils de réfrigération sont requises lorsqu'un appareil contenant des réfrigérants inflammables est en cause.
- La formation à ces procédures est dispensée par des organismes de formation nationaux et des fabricants accrédités pour enseigner les normes de compétence nationales pertinentes.
- La compétence acquise doit être documentée par un certificat.

Formation

La formation doit inclure les éléments suivants:

- Informations sur le potentiel d'explosion des réfrigérants inflammables pour montrer que les substances inflammables peuvent être dangereuses lorsqu'elles sont manipulées sans précaution.
- Informations sur les sources d'inflammation potentielles, en particulier celles qui ne sont pas évidentes, comme les interrupteurs, aspirateurs ou radiateurs électriques.

Informations sur les différents concepts de sécurité:

- **En cas d'enclos non ventilée** – (voir Clause GG.2) La sécurité de l'appareil ne dépend pas de la ventilation du boîtier de l'appareil. L'arrêt de l'appareil et l'ouverture du boîtier n'ont pas d'effet significatif sur la sécurité. Néanmoins, il est possible qu'une fuite de réfrigérant s'accumule à l'intérieur de l'enclos et qu'un réfrigérant inflammable puisse être libéré quand le boîtier est ouvert.
- **En cas d'enclos ventilée** – (voir Clause GG.4) La sécurité de l'appareil dépend de la ventilation du boîtier. L'arrêt de l'appareil et/ou l'ouverture du boîtier ont un effet important sur la sécurité. Des précautions doivent être prises pour assurer une ventilation suffisante avant d'ouvrir le boîtier.
- **Chambre ventilée** – (voir Clause GG.5) La sécurité de l'appareil dépend de la ventilation de la pièce. L'arrêt de l'appareil ou l'ouverture du boîtier n'a pas d'incidence significative sur la sécurité. La ventilation de la pièce ne doit pas être coupée pendant les procédures de réparation.
- Informations sur le concept de composants scellés et d'enclos scellées conformément à la CEI 60079-15:2010.

Informations sur les procédures de travail correctes:

a) Mise en service

- Assurez-vous que la surface du plancher est suffisante pour la charge de réfrigérant ou que le conduit de ventilation est correctement monté.

- Raccordez les tuyaux et faites un test d'étanchéité avant de charger en réfrigérant.
- Vérifiez l'équipement de sécurité avant utilisation.

b) Entretien

- Les équipements portables doivent être réparés à l'extérieur ou dans un atelier spécialement équipé pour l'entretien des unités avec des réfrigérants inflammables.
- Assurez une ventilation suffisante sur le lieu de réparation.
- Sachez qu'un mauvais fonctionnement de l'équipement peut être causé par une perte de réfrigérant et qu'une fuite de réfrigérant est donc possible.
- Déchargez les condensateurs de manière à ne pas créer d'étincelles. Sachez que la procédure standard pour court-circuiter les bornes du condensateur crée généralement des étincelles.
- Remontez les boîtiers scellés avec précision. Si les joints sont usés, remplacez-les.
- Vérifiez l'équipement de sécurité avant utilisation.

c) Réparation

- Les équipements portables doivent être réparés à l'extérieur ou dans un atelier spécialement équipé pour l'entretien des unités avec des fluides frigorigènes inflammables.
- Assurez une ventilation suffisante sur le lieu de réparation.
- Sachez que le mauvais fonctionnement de l'équipement peut être causé par une perte de réfrigérant et qu'une fuite de réfrigérant est possible.
- Déchargez les condensateurs de manière à ne pas créer d'étincelles.
- Quand le brasage est requis, les procédures suivantes doivent être faites dans l'ordre suivant:
 - Enlevez le réfrigérant en toute sécurité conformément aux réglementations locales et nationales. Si la récupération n'est pas requise par les réglementations nationales, vidangez le réfrigérant vers l'extérieur. Veillez à ce que le réfrigérant vidangé ne présente aucun danger. Dans le doute, une personne doit garder la sortie. Faites particulièrement attention à ce que le réfrigérant vidangé ne remonte pas dans le bâtiment.
 - Purgez le circuit frigorifique avec de l'azote sans oxygène.
 - Evacuez le circuit frigorifique.
 - Purgez le circuit frigorifique à l'azote pendant 5 min (non requis pour les fluides frigorigènes A2L).
 - Evacuez à nouveau (pas nécessaire pour les réfrigérants A2L).
 - Retirez les pièces à remplacer par découpage ou brasage.

- Purgez le point de brasage avec de l'azote pendant la procédure de brasage requise pour la réparation.
- Effectuez un test d'étanchéité avant de charger en réfrigérant.

d) Mise hors service

- La charge de réfrigérant doit être enlevée avant la mise hors service.
- Assurez une ventilation suffisante à l'emplacement de l'équipement.
- Sachez que le mauvais fonctionnement de l'équipement peut être causé par une perte de réfrigérant et qu'une fuite de réfrigérant est possible.
- Déchargez les condensateurs de manière à ne pas créer d'étincelles.
- Enlevez le réfrigérant. Si la récupération n'est pas requise par les réglementations nationales, vidangez le réfrigérant vers l'extérieur. Veillez à ce que le réfrigérant vidangé ne présente aucun danger. Dans le doute, une personne doit garder la sortie. Faites particulièrement attention à ce que le réfrigérant vidangé ne remonte pas dans le bâtiment.
- Evacuez le circuit frigorifique.
- Purgez le circuit frigorifique à l'azote pendant 5 min.
- Évacuez à nouveau.
- Remplissez d'azote jusqu'à la pression atmosphérique.
- Apposez une étiquette sur l'équipement indiquant que le réfrigérant est retiré.

e) Disposition

- Assurez une ventilation suffisante dans l'espace de travail.
- Enlevez le réfrigérant. Si la récupération n'est pas requise par les réglementations nationales, vidangez le réfrigérant vers l'extérieur. Veillez à ce que le réfrigérant vidangé ne présente aucun danger. Dans le doute, une personne doit garder la sortie. Faites particulièrement attention à ce que le réfrigérant vidangé ne remonte pas dans le bâtiment.
- Quand des réfrigérants inflammables sont utilisés,
 - a) Evacuez le circuit frigorifique.
 - b) Purgez le circuit frigorifique avec de l'azote sans oxygène.
 - c) Evacuez à nouveau (pas nécessaire pour les réfrigérants A2L).
 - d) Coupez le compresseur et vidanger l'huile.
- Evacuez le circuit frigorifique.
- Purgez le circuit frigorifique à l'azote pendant 5 min.
- Evacuez à nouveau.
- Coupez le compresseur et vidanger l'huile.

Transport, marquage et rangement pour les unités qui utilisent des réfrigérants inflammables

- **AVERTISSEMENT:** Des réglementations de transport supplémentaires peuvent exister en ce qui concerne les équipements contenant des gaz inflammables. Le nombre maximum d'équipements ou la configuration des équipements autorisés à être transportés ensemble sera déterminé par les réglementations de transport applicables.

Marquage des équipements à l'aide de panneaux

- Une signalisation appropriée pour des appareils similaires utilisés dans les zones de travail est généralement traitée par les réglementations locales qui fourniront les exigences minimales en matière de signalisation de sécurité et/ou de santé sur les lieux de travail.
- Tous les panneaux requis doivent être entretenus et les employeurs doivent s'assurer que les employés reçoivent une instruction et formation appropriées et suffisantes sur la signification des panneaux de sécurité appropriés et les mesures qui doivent être prises en rapport avec ces panneaux.
- L'efficacité des panneaux ne doit pas être diminuée par un trop grand nombre de panneaux placés ensemble.
- Tous les pictogrammes utilisés doivent être aussi simples que possible et ne contenir que les détails essentiels.

Disposition des équipements utilisant des réfrigérants inflammables

- Voir les réglementations nationales.

Rangement des équipements/appareils

- Le rangement de l'équipement doit être conforme aux instructions du fabricant.
- Pour le rangement d'équipements emballés (invendus), la protection de l'emballage doit être conçue de manière à ce que les dommages mécaniques à l'équipement à l'intérieur de l'emballage ne provoquent pas de fuite de réfrigérant.
- Le nombre maximum d'équipements pouvant être rangés ensemble sera déterminé par les réglementations locales.

GARANTIE LIMITÉE DU FABRICANT

Cet appareil est couvert par une garantie limitée du fabricant. Pendant un an à compter de la date d'achat d'origine, le fabricant réparera ou remplacera toutes les pièces de cet appareil qui s'avéreront défectueuses en termes de matériaux et de fabrication, à condition que l'appareil ait été utilisé dans des conditions de fonctionnement normales comme prévues par le fabricant.

CONDITIONS DE GARANTIE:

Au cours de la première année, tous les composants de cet appareil jugés défectueux à cause de matériaux ou de fabrication seront réparés ou remplacés, à la discrétion du fabricant, sans frais pour l'acheteur d'origine. L'acheteur sera responsable de tous les frais de déplacement ou de transport.

EXCLUSIONS DE GARANTIE:

La garantie ne s'appliquera pas si les dommages sont causés par l'un des éléments suivants:

- Panne électrique
- Dommages pendant le transport ou lors du déplacement de l'appareil
- Alimentation électrique incorrecte telle que basse tension, câblage domestique défectueux ou fusibles inadéquats
- Accident, altération, mauvaise utilisation ou abus de l'appareil comme l'utilisation d'accessoires non agréés, une mauvaise circulation de l'air dans la pièce ou des conditions de fonctionnement anormales (températures extrêmes)
- Utilisation dans des applications commerciales ou industrielles
- Incendie, dégâts d'eau, vol, guerre, émeute, hostilité ou catastrophes naturelles comme les ouragans, les inondations, etc.
- Utilisation de la force ou dommages causés par des influences extérieures
- Appareils partiellement ou totalement démontés
- Usure excessive par l'utilisateur

OBTENTION DU SERVICE:

Quand vous faites une réclamation de garantie, veuillez avoir la facture d'achat originale avec la date d'achat disponible. Une fois confirmé que votre appareil est éligible au service de garantie, toutes les réparations seront faites par un centre de réparation agréé Newair™. L'acheteur sera responsable de tous les frais de déplacement ou de transport. Les pièces et/ou unités de remplacement seront neuves, réusinées ou remises à neuf et sont soumises à la discrétion du fabricant. Pour le support technique et le service de garantie, veuillez envoyer un courriel à support@newairusa.com.

Un Nombre en el que Puedes Confiar

La confianza debe ganarse y nosotros nos ganaremos la suya. La felicidad del cliente es el centro de nuestro negocio.

Desde la fábrica hasta el almacén, desde el piso de ventas hasta su hogar, toda la familia Newair se compromete a brindar productos innovadores, un servicio excepcional y asistencia cuando más lo necesite.

Cuente con Newair

Como orgulloso propietario de Newair, bienvenido a nuestra familia. Aquí no hay robots, personas reales enviaron su producto y personas reales están aquí para ayudarlo.

Contáctenos

Por favor contacte a nuestro equipo de atención a clientes antes de realizar una devolución de producto. Estaremos felices de poder ayudar con cualquier pregunta o duda.

Lun-Vie de 8-4 (Hora del Pacífico)

Llame: 1-855-963-9247
Email: support@newair.com
En Línea: www.newair.com

Un miembro de nuestro equipo le responderá dentro de un lapso de 24 hrs.

Síguenos:



[Facebook.com/newairusa](https://www.facebook.com/newairusa)



[Instagram.com/newairusa](https://www.instagram.com/newairusa)



[YouTube.com/newairusa](https://www.youtube.com/newairusa)



[Twitter.com/newairusa](https://www.twitter.com/newairusa)

LEA Y GUARDE ESTAS INSTRUCCIONES

INDICE

| | |
|--|-----|
| Especificaciones | 76 |
| Registre su Producto en Línea | 77 |
| Advertencias e Información de Seguridad | 78 |
| Lista de Partes | 82 |
| Accesorios | 83 |
| Montaje e Instalación | 84 |
| Instalación | 84 |
| Introducción de Instalación de la Manguera de Escape | 85 |
| Luz Indicadora de Bandeja de Agua Llena | 86 |
| Instrucciones de uso | 87 |
| Apariencia y Función del Panel de Control | 87 |
| Apariencia y Función del Control Remoto | 87 |
| Instrucciones de uso | 88 |
| Introducción | 88 |
| Antes de Usar | 89 |
| Función de Enfriamiento | 89 |
| Operación de Deshumidificación | 89 |
| Funcionamiento del Ventilador | 89 |
| Operación del Temporizador | 90 |
| Oscilación Automática | 90 |
| Modo SUEÑO | 90 |
| Drenaje del Agua | 91 |
| Limpeza y Mantenimiento | 92 |
| recomendaciones | 92 |
| Filtro de Aire | 92 |
| Limpeza de la Superficie de la Unidad | 92 |
| Solución de Problemas | 93 |
| Instrucciones para reparar electrodomésticos que contienen R32 | 95 |
| Competencia del Personal de Servicio | 102 |

ESPECIFICACIONES

| | |
|-----------------------------------|---------------------------------------|
| NUM. DE MODELO | NAC12KWH03 |
| VOLTAJE | 115V/60HZ |
| DESHUMIDIFICACION | 1.2 pints/hour |
| TIPO DE COMPRESOR | Inverter Compressor |
| REFRIGERANTE | R32 |
| VELOCIDADES DEL VENTILADOR | 3 |
| TEMPORIZADOR | 1-24 hrs |
| CAPACIDAD DE ENFRIAMIENTO | 12000 BTU (ASHRAE), 8000 BTU (DOE) |

REGISTRE SU PRODUCTO EN LÍNEA

¡Registre su producto Newair en línea hoy!

Aproveche todas las ventajas que ofrece el registro de productos:



Servicio y soporte

Diagnostique y resuelva problemas de servicio de forma más rápida y precisa



Notificaciones

Manténgase actualizado sobre seguridad y actualizaciones del sistema por medio de notificaciones



Promociones especiales

Inscríbase para recibir promociones y ofertas de Newair

El registro de la información de su producto en línea es seguro y lleva menos de 2 minutos completarlo:

newair.com/register

Le recomendamos que adjunte una copia de su recibo de compra a continuación y registre la siguiente información, que se encuentra en la placa de identificación del fabricante en la parte posterior de la unidad. Necesitará esta información si es necesario ponerse en contacto con el fabricante para consultas de servicio.

Fecha de Compra: _____

Número de Serie: _____

Número del Modelo: _____

ADVERTENCIAS E INFORMACIÓN DE SEGURIDAD



MUY IMPORTANTE: No instale ni utilice su aire acondicionado portátil antes de haber leído detenidamente este manual. Guarde este manual de instrucciones para futuras consultas y fines de garantía.

ADVERTENCIA

- No intente acelerar el proceso de descongelación ni utilice métodos para limpiar la unidad que no sean los recomendados por el fabricante.
- Guarde la unidad en una habitación que no albergue ninguna fuente de calor o electrodomésticos que funcionen continuamente, como llamas abiertas, electrodomésticos de gas o calentadores eléctricos.
- No perfore ni queme ninguna parte del aparato.
- Tenga en cuenta que los refrigerantes inflamables pueden no producir olor.



A2L

ADVERTENCIA (DE R32)

Información específica sobre aparatos con gas refrigerante R32.

- R32 es un gas refrigerante que cumple con las directivas europeas sobre medio ambiente. No perfore ninguna parte del circuito refrigerante.
- Lea detenidamente todas las advertencias.
- Al descongelar y/o limpiar el aparato, no utilice herramientas distintas a las recomendadas por el fabricante.
- La unidad debe colocarse en un área que no albergue ninguna fuente de ignición o electrodomésticos que funcionen continuamente, como llamas abiertas, electrodomésticos de gas o calentadores eléctricos.
- No perfore ni queme ninguna parte del aparato.
- Si el aparato se instala, opera o almacena en un área sin ventilación, la habitación debe estar diseñada para evitar la acumulación de fugas de refrigerante, lo que podría resultar en el riesgo de incendio o explosión debido a la ignición del refrigerante causada por calentadores eléctricos, estufas u otras fuentes de ignición.
- El aparato debe almacenarse de forma que se evite un fallo mecánico.

- Las personas que operan o trabajan en el circuito de refrigerante deben tener la certificación correspondiente emitida por una organización acreditada que asegure la competencia en el manejo de refrigerantes de acuerdo con una evaluación específica reconocida por asociaciones en la industria.
- Las reparaciones deben realizarse según las recomendaciones del fabricante. El mantenimiento y las reparaciones que requieran la asistencia de personal calificado deben realizarse bajo la supervisión de una persona capacitada en el uso de refrigerantes inflamables.
- Los conductos conectados a un aparato no deben contener una fuente potencial de ignición.
- **ADVERTENCIA**– Riesgo de fuego. Se utiliza refrigerante inflamable. Debe ser reparado únicamente por personal de servicio capacitado. No perfore la tubería de refrigerante.
- **ADVERTENCIA**– Riesgo de fuego. Se utiliza refrigerante inflamable. Deseche adecuadamente de acuerdo con las regulaciones federales o locales.
- **ADVERTENCIA**– Riesgo de incendio. Se utiliza refrigerante inflamable. Consulte el manual de reparación / guía del propietario antes de intentar reparar este producto. Deben seguirse todas las precauciones de seguridad.
- **ADVERTENCIA**– Riesgo de incendio. Se utiliza refrigerante inflamable. Siga cuidadosamente las instrucciones de manejo de acuerdo con las regulaciones nacionales.

INSTRUCCIONES GENERALES DE SEGURIDAD

- Este aparato es solo para uso en interiores.
- No encienda este aparato a través de una toma de corriente en reparación o que no se haya instalado correctamente.
- No utilice la unidad:
 - A: cerca de una fuente de fuego;
 - B: en un área donde es probable que se derrame o salpique aceite;
 - C: en un área expuesta a la luz solar directa;
 - D: en un área donde es probable que se derrame o salpique agua;
 - E: cerca de un baño, lavadero, ducha o piscina.
- Nunca inserte los dedos ni ningún otro elemento en la salida de aire. Tenga especial cuidado de advertir a los niños de estos peligros.
- Mantenga la unidad en posición vertical durante el transporte, almacenamiento y uso.
- Antes de limpiar la unidad, siempre apague la unidad y desconecte la fuente de alimentación.

- Cuando mueva la unidad, apáguela y desconecte la fuente de alimentación. Mueva la unidad lentamente.
- Para evitar el riesgo de incendio, la unidad nunca debe cubrirse mientras está en funcionamiento.
- Los enchufes eléctricos utilizados para alimentar la unidad deben cumplir con los requisitos de seguridad eléctrica locales. Si es necesario, compruebe estos requisitos.
- Los niños deben ser supervisados para asegurarse de que no jueguen con el aparato.
- Si el cable de alimentación está dañado, debe ser reemplazado por el fabricante, un agente de servicio o una persona calificada similar para evitar peligros.
- Este electrodoméstico puede ser operado por niños de 8 años o más, así como por personas con alguna discapacidad siempre y cuando sean supervisados por alguna persona responsable de su seguridad. No se debe permitir que los niños jueguen con el aparato. Los niños nunca deben realizar la limpieza y el mantenimiento sin supervisión.
- Este electrodoméstico no está diseñado para que lo utilicen personas (incluidos niños) con alguna discapacidad a menos que sean supervisados por alguna persona responsable de su seguridad.
- El aparato debe instalarse de acuerdo con las regulaciones nacionales de cableado.
- **Reciclaje:** El símbolo que se muestra a la derecha indica que este producto no debe desecharse de la misma manera que otros desechos domésticos. Para evitar posibles daños al medio ambiente o la salud humana debido a la eliminación incontrolada de desechos, recicle este artículo de manera responsable para promover la reutilización sostenible de los recursos materiales. Para devolver su dispositivo usado, utilice los sistemas de devolución y recolección o comuníquese con el minorista donde compró el producto. Los minoristas asociados pueden llevar este producto para un reciclaje seguro para el medio ambiente.
- Comuníquese con un técnico de servicio autorizado para la reparación o el mantenimiento de esta unidad.
- No tire, deforme ni modifique de ningún modo el cable de alimentación, ni lo sumerja en agua, ya que podría dañar la unidad y/o provocar una descarga eléctrica.
- Debe observarse el cumplimiento de las normativas nacionales sobre gas.
- Mantenga las aberturas de ventilación libres de obstrucciones.
- Cualquier persona que participe en el trabajo o la apertura de un circuito de refrigerante debe tener un certificado válido actual de una autoridad de



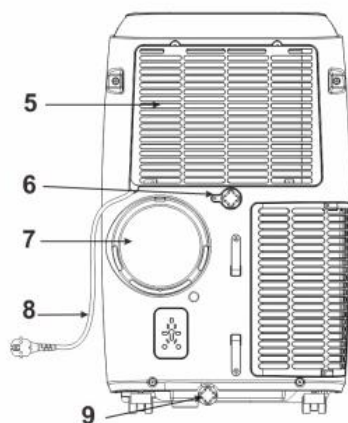
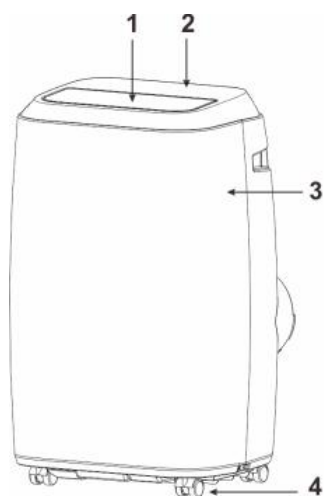
evaluación acreditada por la industria, que autorice su competencia para manipular refrigerantes de manera segura de acuerdo con una especificación de evaluación reconocida por la industria.

- El mantenimiento de esta unidad sólo debe realizarse según lo recomendado por el fabricante. El mantenimiento y las reparaciones que requieran la asistencia de otro personal calificado deben realizarse bajo la supervisión de una persona competente en el uso de refrigerantes inflamables.
- No apague la unidad tirando del cable de alimentación, ya que esto puede provocar una descarga eléctrica o un incendio.
- Apague y desenchufe la unidad si emite sonidos, olores o humo extraños.
- **Declaración de Impedancia:** Estos aparatos se pueden conectar solo a una fuente con una impedancia del sistema no superior a $0,367 \Omega$. Si es necesario, consulte a su autoridad de suministro para obtener información sobre la impedancia del sistema.

Notas:

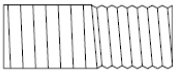


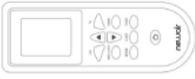


- Si la unidad o cualquiera de sus partes se dañan, comuníquese con el distribuidor o con un taller de reparación designado.
- En caso de cualquier daño, apague el interruptor de aire, desconecte la fuente de alimentación y comuníquese con el distribuidor o un taller de reparación designado.
- En todas las circunstancias, el cable de alimentación debe estar firmemente conectado a tierra.
- Si el cable de alimentación está dañado, apague el interruptor de aire y desconecte la fuente de alimentación. El cable debe ser reemplazado por el distribuidor o un taller de reparación designado. Para evitar la posibilidad de peligro, no intente reparar el cable de alimentación.

LISTA DE PARTES



- 1 Rejilla
- 2 Panel de control
- 3 Cubierta
- 4 Ruedas deslizantes
- 5 Entrada de aire
- 6 Salida de drenaje
- 7 Salida de aire
- 8 Cable de alimentación
- 9 Salida de drenaje

ACCESORIOS

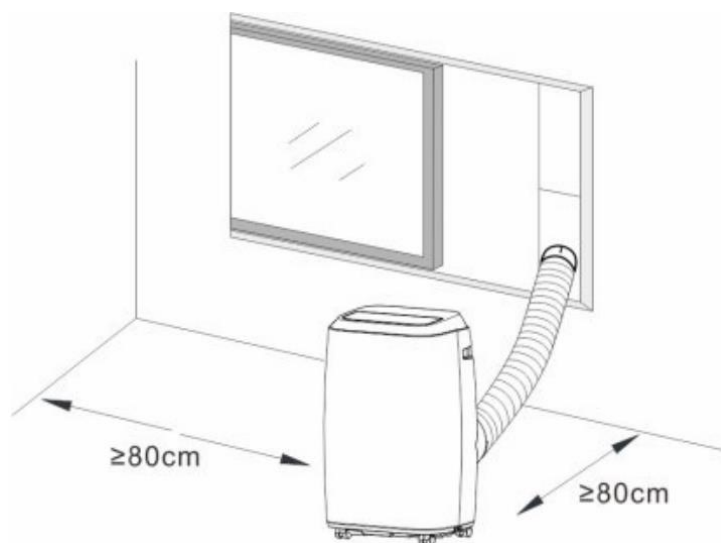
| Partes | Descripción | Cantidad |
|---|---------------------|----------|
|  | Manguera de Escape | 1 |
|  | Conector de Ventana | 1 |
|  | Adaptador | 1 |
|  | Control Remoto | 1 |
|  | Kit de Ventana | 1 |
|  | Kit de ventana | 1 |

Después de desempacar, verifique que los accesorios mencionados anteriormente estén incluidos y revise sus propósitos en la sección de instalación de este manual.

MONTAJE E INSTALACIÓN

INSTALACIÓN

- Para una instalación adecuada, este aparato debe instalarse en una superficie nivelada. Asegúrese de que la salida de aire no esté bloqueada y de que todos los lados del electrodoméstico estén despejados al menos 1 pie (consulte la figura 8).
- Este aparato no debe instalarse en un lugar húmedo, como un cuarto de lavado o un baño.
- Esta unidad no debe instalarse en un recinto de limpieza en seco.
- Los enchufes eléctricos que suministran energía a este aparato deben cablearse de acuerdo con los requisitos de seguridad locales.



(Fig.8)

INTRODUCCIÓN DE INSTALACIÓN DE LA MANGUERA DE ESCAPE

Instalación Temporal

1. Gire ambos extremos de la manguera de escape en el clip de fijación cuadrado y el clip de fijación plano.
2. Inserte el clip de fijación cuadrado en las aberturas en la parte posterior del acondicionador de aire (vea la Fig. 9).
3. Coloque el otro extremo de la manguera de escape en un alféizar cercano.

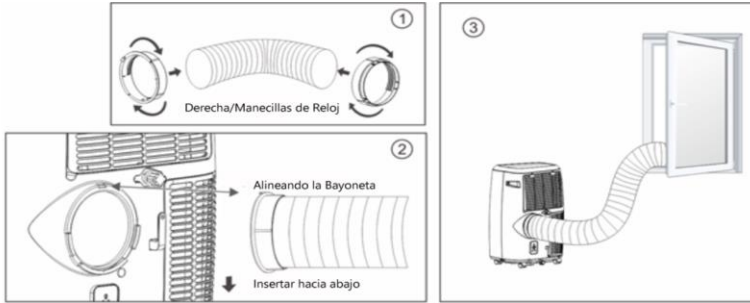
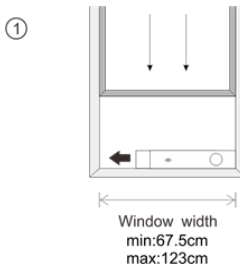


Fig.9

Instalación del Kit de Deslizador de Ventana

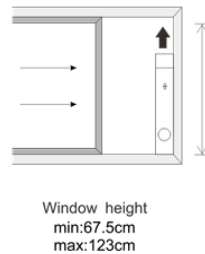
El kit de deslizador de ventana incluido con este electrodoméstico puede adaptarse a la instalación horizontal o vertical. Como se muestra en la Fig.10 y Fig.10a, verifique el tamaño mínimo y máximo de su ventana antes de la instalación.

1. Instale el kit de ventana en la ventana (Fig.10, Fig.10a);
2. Ajuste la longitud del kit de deslizador de ventana de acuerdo con el ancho o alto de la ventana y fíjelo con la clavija.
3. Inserte la manguera del conector de la ventana en el orificio del kit de ventana.



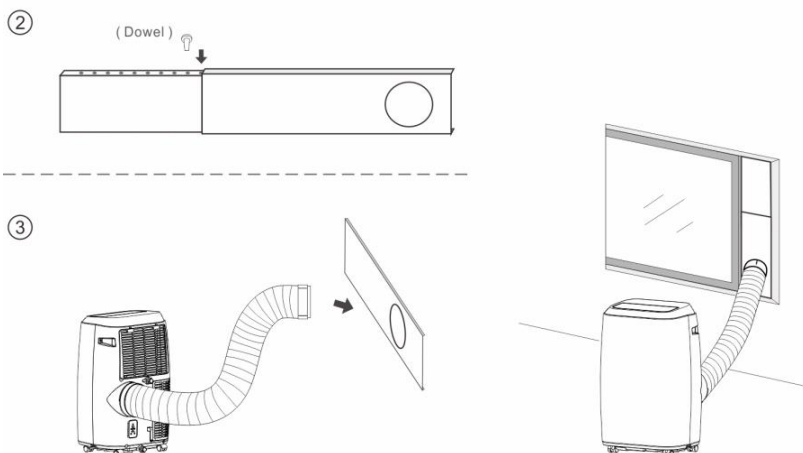
(Fig.10)

Ancho de la Ventana



(Fig.10a)

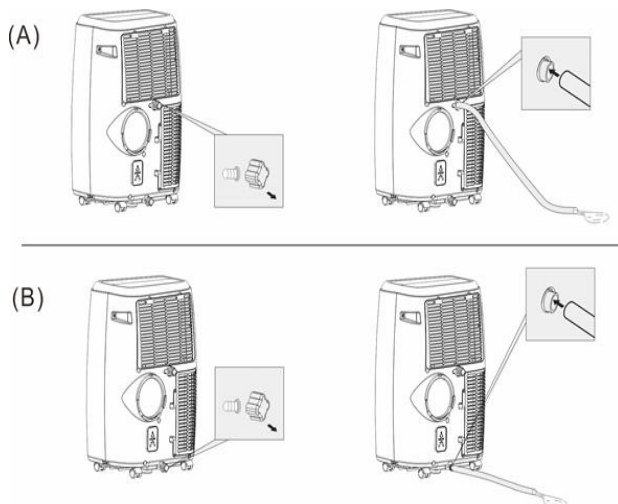
Alto de la Ventana



*(Clavija)

LUZ INDICADORA DE BANDEJA DE AGUA LLENA

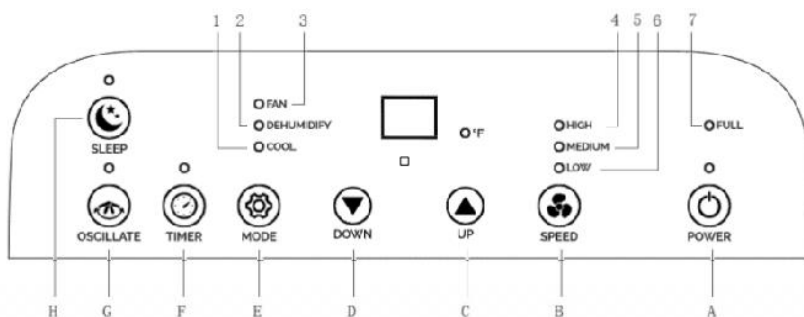
La bandeja de agua dentro del aire acondicionado tiene un interruptor de seguridad que controla el nivel de agua. Cuando el nivel del agua alcanza una altura específica, la luz indicadora se iluminará. (Si la bomba de agua está dañada, cuando la bandeja de agua esté llena, retire el tapón de goma en la parte inferior de la unidad para drenar el agua).



INSTRUCCIONES DE USO

APARIENCIA Y FUNCIÓN DEL PANEL DE CONTROL

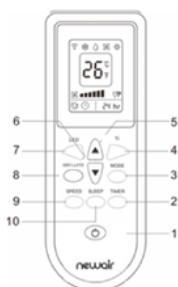
Modelo solo enfriamiento



| | | | |
|---|-------------------------|---|-------------------------------|
| A | Boton de Encendido | 1 | Enfriamiento |
| B | Velocidad de Ventilador | 2 | Deshumidificante |
| C | Subir Temperatura | 3 | Abanico |
| D | Bajar Temperatura | 4 | Velocidad Alta de Ventilador |
| E | Modo de Operación | 5 | Velocidad Media de Ventilador |
| F | Temporizador | 6 | Velocidad Baja de Ventilador |
| G | Oscilacion | 7 | Tanque de Agua Lleno |
| H | Modo Sueño | | |

APARIENCIA Y FUNCIÓN DEL CONTROL REMOTO

Control Remoto sin pantalla



| | | |
|---|-----------|-----------------------------------|
| 1 | POWER | Encendido/Apagado |
| 2 | TIMER | Temporizador Encendido/Apagado |
| 3 | MODE | Modo de Operación |
| 4 | TEMP- | Bajar Temperatura |
| 5 | TEMP+ | Subir Temperatura |
| 6 | SPEED | Velocidad del Ventilador |
| 7 | SLEEP | Modo Dormir |
| 8 | OSCILLATE | Oscilación Automática |

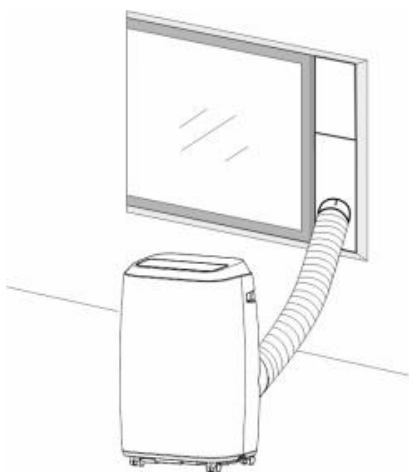
Notas:

- No deje caer el control remoto.
- No coloque el control remoto en un lugar expuesto a la luz solar directa.

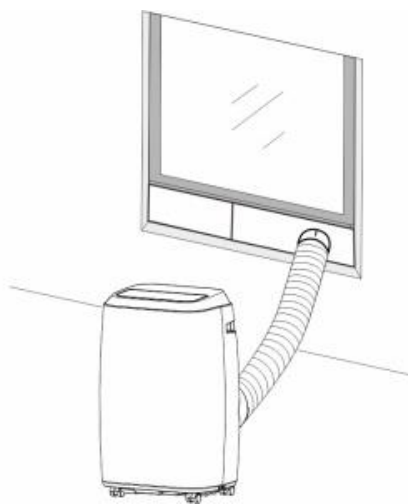
INSTRUCCIONES DE USO**INTRODUCCION**

Antes de operar este aparato:

- 1) Encuentra un lugar con una fuente de alimentación cercana.
- 2) Como se muestra en la Fig.5 y Fig.5a, instale la manguera de escape de manera segura y ajuste la posición de la ventana según sea necesario (vea las instrucciones detalladas arriba).



(Fig.5)



(Fig.5a)

- 3) Conecte la manguera de drenaje de forma segura (solo para el modelo de calefacción).
- 4) Inserte el cable de alimentación en un enchufe AC115V / 60Hz con conexión a tierra.
- 5) Presione el botón POWER para encender la unidad.

ANTES DE USAR

Aviso:

Rango de temperatura de funcionamiento:

| | Enfriamiento Máximo | Enfriamiento Mínimo |
|-----------|---------------------|---------------------|
| DB/WB(°F) | 95/75 | 64/54 |

IMPORTANTE: Antes de usar este aparato, verifique que la manguera de escape se haya montado correctamente.

PRECAUCIÓN - Para operaciones de enfriamiento y deshumidificación:

- Cuando utilice las funciones de enfriamiento y deshumidificación, mantenga un intervalo de al menos 3 minutos entre cada encendido/apagado.
- Asegúrese de que la fuente de alimentación de la unidad cumpla con los requisitos especificados anteriormente.
- Asegúrese de que la toma de corriente esté diseñada para uso con CA.
- No comparta la toma de corriente con otros aparatos.
- La fuente de alimentación para este aparato debe ser AC115V/60Hz.

FUNCIÓN DE ENFRIAMIENTO

- Presione el botón MODE hasta que seleccionar el ícono COOL.
- Presione los botones DOWN (abajo) o UP (arriba) para seleccionar la temperatura ambiente deseada (61 ° F-88 ° F).
- Presione el botón SPEED para seleccionar la velocidad del ventilador.

OPERACIÓN DE DESHUMIDIFICACIÓN

- Presione el botón MODE hasta que seleccione el icono DEHUMIDIFY.
- Establezca la temperatura seleccionada a la temperatura ambiente actual menos 2 ° F.
- Ponga el ventilador en LOW (baja) velocidad.

FUNCIONAMIENTO DEL VENTILADOR

- Presione el botón MODE hasta que seleccione el ícono FAN.
- Presione el botón SPEED para seleccionar la velocidad del ventilador.

OPERACIÓN DEL TEMPORIZADOR

Cómo configurar un temporizador para encender:

- Presione el botón TIMER y seleccione el tiempo deseado para que la unidad se encienda usando los botones de configuración de tiempo. También puede seleccionar la temperatura deseada.
- Se mostrará "Preset ON Time" (Tiempo de encendido preestablecido) en el panel de operaciones.
- "ON Time" (Temporizador ENCENDIDO) se puede configurar en cualquier momento de 0 a 24 horas.
- Presione el botón TIMER nuevamente para confirmar la configuración. La luz indicadora del temporizador se iluminará.
- Para desactivar la función del temporizador, presione el botón TIMER hasta que la luz indicadora del temporizador se apague.

Para configurar un temporizador de apagado:

- Cuando el aire acondicionado esté encendido, presione el botón TIMER y seleccione el tiempo de APAGADO deseado usando los botones de configuración de tiempo.
- Se visualizará "Preset OFF Time" (Tiempo de Apagado preestablecido) en el panel de operaciones.
- El "tiempo de apagado" se puede configurar en cualquier momento de 0 a 24 horas.
- Presione el botón TIMER nuevamente para confirmar la configuración. La luz indicadora del temporizador se iluminará.
- Para desactivar la función del temporizador, presione el botón TIMER hasta que la luz indicadora del temporizador se apague.

OSCILACIÓN AUTOMÁTICA

Después de que la unidad se encienda, presione el botón OSCILLATE. Entonces, la rejilla se moverá continuamente hacia arriba y hacia abajo. Al presionar este botón nuevamente, el movimiento se detendrá y la rejilla permanecerá en la posición detenida.

MODO SUEÑO

- Mientras está en el modo de enfriamiento, presione el botón SLEEP para establecer la temperatura inicial deseada. La temperatura establecida aumentará 2 ° F después de una hora y 4 ° F después de 2 horas.
- Presione el botón SLEEP nuevamente para cancelar estos ajustes.

DRENAJE DEL AGUA

Alarma de Bandeja de Agua Llena

La bandeja de agua dentro del aire acondicionado tiene un interruptor de seguridad de nivel de agua que controla el nivel de agua. Cuando el nivel del agua alcanza una altura especificada, la luz indicadora asociada se iluminará. (Si la bomba de agua está dañada, cuando la bandeja de agua esté llena, retire el tapón de goma en la parte inferior de la unidad para drenar el agua).

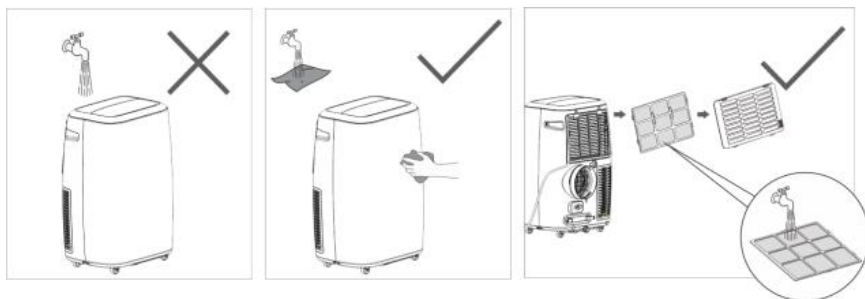
Drenaje Continuo

- Si planea dejar esta unidad sin usar durante un tiempo prolongado, retire el tapón de goma del orificio de drenaje en la parte inferior de la unidad y conecte una manguera de drenaje al clip de fijación inferior.
- También puede drenar el agua de esta manera cuando la unidad está funcionando en modo CALEFACCIÓN.
- Si la bomba de agua está dañada, se puede usar un drenaje continuo conectando una manguera de drenaje a la unidad y colocándola en un drenaje o en un receptáculo con capacidad suficiente. La unidad también puede funcionar correctamente de esta manera.
- Si la bomba de agua está dañada, también se puede utilizar un drenaje intermitente. Bajo esta condición, preste atención cuando se enciende la luz indicadora de agua llena. Luego, conecte una manguera de drenaje al clip de fijación inferior para permitir que se drene toda el agua de la bandeja de agua. La unidad puede funcionar correctamente de esta manera.

LIMPIEZA Y MANTENIMIENTO

RECOMENDACIONES

1. Antes de limpiar, asegúrese de apagar y desconectar la unidad de su toma de corriente.
2. No utilice gasolina u otros productos químicos para limpiar la unidad.
3. No lave la unidad internamente directamente.
4. Si la unidad está dañada, comuníquese con el distribuidor o un técnico de reparación.



FILTRO DE AIRE

- El filtro de aire debe limpiarse una vez cada dos semanas para evitar que se obstruya con polvo o suciedad.
- Desmontaje: Abra la rejilla de entrada de aire y retire el filtro de aire.
- Limpieza: Limpie el filtro de aire con detergente neutro en agua tibia (104 ° F) y déjelo secar al aire en un lugar sombreado.
- Montaje: Coloque el filtro de aire en la rejilla de entrada y reemplace todos los componentes como estaban.

LIMPIEZA DE LA SUPERFICIE DE LA UNIDAD

Limpie la superficie de la unidad con un detergente neutro y un paño húmedo, luego límpielo con un paño seco.

SOLUCIÓN DE PROBLEMAS

| Problema | Posible Causa | Solución |
|--|---|---|
| 1. La unidad no se enciende al presionar el botón de encendido/apagado | - El tanque de agua está lleno (verifique si la luz indicadora de agua llena parpadea). | Vacíe el depósito de agua. |
| | - La temperatura ambiente es más alta que la temperatura de ajuste (modo de calefacción). | Reajuste la temperatura. |
| | -La temperatura ambiente es más baja que la temperatura de ajuste (modo de enfriamiento). | Reajuste la temperatura. |
| 2. La unidad no enfría eficazmente el espacio | - Las puertas o ventanas están abiertas. | Asegúrese de que todas las ventanas y puertas estén cerradas. |
| | - Hay fuentes de calor dentro de la habitación. | Retire las fuentes de calor si es posible. |
| | - La manguera de escape se ha desconectado o bloqueado. | Vuelva a conectar o limpie la manguera de aire de escape. |
| | - El ajuste de temperatura es demasiado alto. | Reajuste la temperatura. |

| | | |
|----------------------------------|---|---|
| | - La entrada de aire está bloqueada. | Limpiar la entrada de aire. |
| 3. La unidad produce mucho ruido | - El suelo es irregular o no está nivelado. | Coloque la unidad en un suelo plano y nivelado. |
| | - (Si el sonido es como el del agua que fluye) El sonido proviene del refrigerante que fluye dentro del acondicionador de aire. | Esto es normal. |
| 4. Código E0 | El sensor de temperatura de falló | Reemplace el sensor de temperatura (nota: la unidad seguirá funcionando sin reemplazo). |
| 5. Código E1 | Fallo en el sensor de temperatura del condensador | Reemplace el sensor de temperatura del condensador. |
| 6. Código E2 | Depósito de agua lleno al enfriar | Vacíe el depósito de agua. |
| 6. Código E3 | Fallo en el sensor de temperatura del evaporador | Reemplace el sensor de temperatura del evaporador. |
| 7. Código E4 | Depósito de agua lleno al calentar | Vacíe el depósito de agua. |

INSTRUCCIONES PARA REPARAR ELECTRODOMÉSTICOS QUE CONTIENEN R32

1. INSTRUCCIONES GENERALES

- **IMPORTANTE:** Antes de trabajar en sistemas que contienen refrigerantes inflamables, es necesario realizar comprobaciones de seguridad para garantizar que se minimice el riesgo de ignición. Se deben cumplir las siguientes precauciones antes de realizar trabajos de reparación en este aparato.
- **Procedimiento de trabajo:** El trabajo debe realizarse de manera controlada y en un entorno para minimizar el riesgo de presencia de gases o vapores inflamables mientras se realiza el trabajo.
- **Área de trabajo general:** Todo el personal de mantenimiento y otras personas que trabajen en el área cercana deben recibir instrucciones sobre la naturaleza del trabajo que se está realizando. Debe evitarse el trabajo en espacios reducidos. El área alrededor del espacio de trabajo debe estar seccionada. Asegúrese de que las condiciones dentro del área se hayan hecho seguras controlando y/o eliminando materiales inflamables.
- **Comprobación de la presencia de refrigerante:** El área de trabajo debe revisarse con un detector de refrigerante adecuado antes y durante el trabajo para asegurarse de que el técnico esté al tanto de los agentes potencialmente inflamables en la atmósfera. Asegúrese de que el equipo de detección de fugas que se utiliza sea adecuado para su uso con refrigerantes inflamables (es decir, que no produzcan chispas, que estén adecuadamente sellados o que sean intrínsecamente seguros).
- **Presencia de extintor:** Si se va a realizar cualquier trabajo que implique calor en el equipo de refrigeración o en cualquier parte asociada, se debe disponer de un equipo de extinción de incendios adecuado. Tenga un extintor de incendios de polvo seco o CO2 adyacente al área de trabajo inmediata.
- **Sin fuentes de ignición:** Ninguna persona que realice trabajos en un sistema de refrigeración que impliquen exponer cualquier tubería que contenga o haya contenido refrigerantes inflamables debe utilizar fuentes de ignición en el área de trabajo o mientras realiza este trabajo. El uso de cualquier fuente de ignición (como una llama abierta) podría generar riesgo de incendio o explosión. Todas las posibles fuentes de ignición, incluido el tabaquismo, deben mantenerse lo suficientemente alejadas del lugar de instalación, reparación, remoción y eliminación, durante el cual los procesos podrían liberarse refrigerante inflamable al espacio circundante. Antes de que

comience el trabajo, se debe inspeccionar el área alrededor del equipo para asegurarse de que no haya peligros inflamables o riesgos de ignición. Se deben exhibir carteles de “No fumar”.

- **Área Ventilada:** Asegúrese de que el área de trabajo esté al aire libre o, si está adentro, que esté adecuadamente ventilada antes de abrir el sistema de refrigeración o realizar cualquier trabajo que involucre calor. La ventilación debe continuar durante toda la duración del trabajo y debe dispersar de manera segura cualquier refrigerante liberado y preferiblemente no expulsarlo al exterior a la atmósfera.
- **Comprobaciones al equipo de refrigeración:** Cuando se reparan o reemplazan componentes eléctricos, deben instalarse para el propósito previsto y con las especificaciones correctas. En todo momento, se deben seguir las pautas de mantenimiento y servicio del fabricante. En caso de duda, consulte con el departamento técnico del fabricante para obtener ayuda. Se deben aplicar las siguientes comprobaciones a las instalaciones que utilizan refrigerantes inflamables: el tamaño de la carga está de acuerdo con el tamaño de la habitación en la que están instaladas las piezas que contienen refrigerante; la maquinaria de ventilación y las salidas funcionan adecuadamente y no están obstruidas; si se utiliza un circuito de refrigeración indirecto, se debe comprobar la presencia de refrigerante en el circuito secundario; las marcas en el equipo deberían seguir siendo visibles y legibles, y las marcas y los letreros que sean ilegibles deberían corregirse adecuadamente; La tubería o los componentes de refrigeración deben instalarse en una posición en la que no sea probable que estén expuestos a cualquier sustancia que pueda corroer los componentes que contienen refrigerante, a menos que los componentes estén construidos con materiales que sean inherentemente resistentes a la corrosión o que estén adecuadamente protegidos contra la corrosión.
- **Comprobaciones a dispositivos eléctricos:** La reparación y el mantenimiento de los componentes eléctricos deben incluir controles de seguridad iniciales y procedimientos de inspección de componentes. Si existe un problema que pueda comprometer la seguridad, no se debe conectar ningún suministro eléctrico al circuito hasta que el problema se resuelva satisfactoriamente. Si el problema no se puede corregir de inmediato, pero es necesario continuar con la operación, se debe utilizar una solución temporal adecuada. Esto se debe informar al propietario del equipo para que todas las partes estén al tanto de las circunstancias. Las comprobaciones iniciales de seguridad incluirán: comprobar que los condensadores están descargados (esto debe hacerse de forma segura para evitar la posibilidad de que se produzcan chispas); verificar que no haya componentes eléctricos activos o cables

expuestos mientras se carga, recupera o purga el sistema; comprobando que hay continuidad de puesta a tierra.

- Todo procedimiento de mantenimiento, servicio y reparación que pueda afectar la seguridad debe ser realizado únicamente por personas competentes de acuerdo con el Anexo HH (competencia del personal de servicio según lo indicado por la capacitación llevada a cabo por organizaciones nacionales de capacitación acreditadas para enseñar las normas de competencia nacionales pertinentes. La competencia lograda debe estar documentado por un certificado).
- Todo el personal que trabaje en el sistema de refrigeración debe tener una certificación válida otorgada por una organización autorizada y las calificaciones para trabajar con sistemas de refrigeración reconocidas por esta industria. Si se necesitan otros técnicos para mantener o reparar el aparato, deben ser supervisados por una persona que posea las calificaciones para trabajar con refrigerantes inflamables.

2. REPARACIONES DE COMPONENTES SELLADOS

- Durante las reparaciones de los componentes sellados, todos los suministros eléctricos deben desconectarse del equipo en el que se está trabajando antes de retirar las cubiertas selladas, etc. La detección debe ubicarse en el punto más crítico para advertir de una situación potencialmente peligrosa.
- Se debe prestar especial atención a lo siguiente para garantizar que, al trabajar con componentes eléctricos, las carcasas no se alteren de tal manera que afecten el nivel de protección. Los peligros incluyen daños a los cables, número excesivo de conexiones, terminales que no se hicieron según las especificaciones originales, daños a las juntas, ajuste incorrecto de los prensaestopas, etc. Asegúrese de que el aparato eléctrico esté montado de forma segura. Asegúrese de que los sellos o materiales de sellado no se hayan degradado de manera que ya no sirvan para evitar la entrada de sustancias inflamables. Las piezas de repuesto siempre deben estar de acuerdo con las especificaciones del fabricante.
- **NOTA:** El uso de sellador de silicona puede inhibir la eficacia de algunos tipos de equipos de detección de fugas. No es necesario aislar los componentes intrínsecamente seguros antes de trabajar en ellos.

3. REPARACIÓN DE COMPONENTES INTRÍNSECAMENTE SEGUROS

- No aplique ninguna carga inductiva o capacitiva permanente al circuito sin asegurarse de que esto no exceda el voltaje y la corriente permitidos para el equipo en uso.

- Los componentes intrínsecamente seguros son los únicos tipos en los que se puede trabajar en presencia de materiales inflamables. El aparato de prueba debe producir una calificación adecuada. Reemplace los componentes solo con piezas especificadas por el fabricante. Otras partes pueden provocar la ignición del refrigerante en la atmósfera debido a una fuga.

4. CABLEADO

- Compruebe que el cableado no esté sujeto a desgaste, corrosión, presión excesiva, vibración, bordes afilados o cualquier otro efecto medioambiental adverso. La verificación también tendrá en cuenta los efectos del envejecimiento o la vibración continua de fuentes como compresores o ventiladores.

5. DETECCIÓN DE REFRIGERANTES INFLAMABLES

- Bajo ninguna circunstancia se deben utilizar fuentes potenciales de ignición en la búsqueda o detección de fugas de refrigerante. Nunca se debe utilizar una antorcha de haluro (o cualquier otro detector que utilice una llama abierta).

6. MÉTODOS DE DETECCIÓN DE FUGAS

- Los siguientes métodos de detección de fugas se consideran aceptables para sistemas que contienen refrigerantes inflamables. Se pueden usar detectores de fugas electrónicos, pero su sensibilidad puede no ser adecuada o puede requerir recalibración. (El equipo de detección debe calibrarse en un área libre de refrigerante). Asegúrese de que el detector no sea una fuente potencial de ignición y sea adecuado para el refrigerante utilizado. El equipo de detección de fugas se establecerá en un porcentaje del LFL del refrigerante y se calibrará para el refrigerante empleado y se confirmará el porcentaje apropiado de gas (25% máximo).
- Los fluidos de detección de fugas son adecuados para su uso con la mayoría de los refrigerantes, pero se debe evitar el uso de detergentes que contengan cloro, ya que el cloro puede reaccionar con el refrigerante y corroer las tuberías de cobre.
- **NOTA:** Ejemplos de métodos de detección de fugas de fluidos son
 - método de burbuja,
 - método de agentes fluorescentes
- Si se sospecha una fuga, todas las llamas abiertas deben eliminarse / extinguirse inmediatamente. Si se encuentra una fuga de refrigerante que requiere soldadura fuerte, todo el refrigerante debe recuperarse del sistema o aislarse (por medio de válvulas de cierre) en una parte del sistema alejada

de la fuga. La eliminación del refrigerante debe realizarse de acuerdo con la sección 7 a continuación.

7. EXTRACCIÓN Y EVACUACIÓN

- Al abrir el circuito de refrigerante para realizar reparaciones (o para cualquier otro propósito), se deben utilizar los procedimientos estándar. Sin embargo, para los refrigerantes inflamables, es importante seguir las mejores prácticas. Se debe seguir el siguiente procedimiento:
 - a) retire el refrigerante de forma segura siguiendo las normativas locales y nacionales;
 - b) purgar el circuito con gas inerte;
 - c) evacuar (opcional para A2L);
 - d) purgar el circuito con gas inerte (opcional para A2L);
 - e) abra el circuito cortando o soldando.
- La carga de refrigerante debe recuperarse en los cilindros de recuperación correctos si los códigos locales y nacionales no permiten la ventilación. Para los aparatos que contienen refrigerantes inflamables, el sistema debe purgarse con nitrógeno sin oxígeno para que el aparato sea seguro para refrigerantes inflamables. Es posible que este proceso deba repetirse varias veces. No se debe utilizar aire comprimido ni oxígeno para purgar los sistemas de refrigerante.
- Para los artefactos que contienen refrigerantes inflamables, la purga del refrigerante debe lograrse rompiendo el vacío en el sistema con nitrógeno libre de oxígeno y continuando llenando hasta que se alcance la presión de trabajo, luego ventilando a la atmósfera y finalmente bajando al vacío (opcional para A2L). Este proceso debe repetirse hasta que no quede refrigerante en el sistema (opcional para A2L). Cuando se utiliza la carga final de nitrógeno libre de oxígeno, el sistema debe ventilarse hasta la presión atmosférica para permitir que se lleve a cabo el trabajo.
- Asegúrese de que la salida de la bomba de vacío no esté cerca de ninguna fuente de ignición y de que haya una ventilación adecuada.

8. PROCEDIMIENTOS DE CARGA

Además de los procedimientos de carga convencionales, se deben seguir los siguientes requisitos:

- Asegúrese de que no se produzca contaminación de diferentes refrigerantes al utilizar el equipo de carga. Las mangueras o líneas deben ser lo más cortas posible para minimizar la cantidad de refrigerante que contienen.
- Los cilindros deben mantenerse en posición vertical.

- Asegúrese de que el sistema de refrigeración esté conectado a tierra antes de cargar el sistema con refrigerante.
- Etiquete el sistema cuando la carga esté completa (si aún no ha sido etiquetado).
- Se debe tener mucho cuidado de no sobrellenar el sistema de refrigeración.
- Antes de recargar el sistema, debe probarse la presión con OFN. El sistema debe someterse a una prueba de fugas al finalizar la carga, pero antes de la puesta en servicio. Se debe realizar una prueba de fugas de seguimiento antes de abandonar el sitio.

9. DESACTIVACIÓN

Antes de realizar este procedimiento, es fundamental que el técnico esté completamente familiarizado con el equipo y todos los componentes. Se recomienda una buena práctica que todos los refrigerantes se recuperen de forma segura. Antes de llevar a cabo la tarea, se debe tomar una muestra de aceite y refrigerante en caso de que se requiera un análisis antes de reutilizar el refrigerante recuperado. Es esencial que haya energía eléctrica disponible antes de emprender la tarea. Siga los siguientes pasos para llevar a cabo este procedimiento:

- a) Familiarizarse con el equipo y su funcionamiento;
- b) Aislar el sistema eléctrico;
- c) Asegúrese de que: se disponga de equipo de manipulación, si es necesario, para manipular los cilindros de refrigerante; todo el equipo de protección personal está disponible y se utiliza correctamente; el proceso de recuperación es supervisado en todo momento por una persona competente; el equipo de recuperación y los cilindros se ajustan a las normas correspondientes;
- d) Bombee el sistema de refrigerante, si es posible;
- e) Si no hay vacío disponible, haga un colector para que se pueda eliminar el refrigerante de varias partes del sistema;
- f) Asegúrese de que el cilindro esté situado en la balanza antes de que se lleve a cabo la recuperación;
- g) Inicie el proceso de recuperación y trabaje de acuerdo con las instrucciones del fabricante;
- h) No llene en exceso los cilindros (no más del 80% del volumen de carga de líquido);
- i) No exceda la presión máxima de trabajo del cilindro, ni siquiera temporalmente;
- j) Cuando los cilindros se hayan llenado correctamente y el proceso esté completo, asegúrese de que los cilindros y el equipo se retiren del lugar de inmediato y que todas las válvulas de aislamiento del equipo estén cerradas;

- k) El refrigerante recuperado no debe cargarse en otro sistema de refrigeración a menos que se haya limpiado y revisado.

10. ETIQUETADO

- El equipo debe llevar una etiqueta que indique que se ha desactivado y vaciado de refrigerante. La etiqueta debe estar fechada y firmada.
- Asegúrese de que haya etiquetas en el equipo que indiquen que el equipo contiene refrigerante inflamable.

11. RECUPERACIÓN

- Al retirar el refrigerante de un sistema, ya sea para el mantenimiento o el desmantelamiento, se recomienda una buena práctica para que todos los refrigerantes se eliminen de forma segura. Al transferir refrigerante a cilindros, asegúrese de que solo se empleen cilindros de recuperación de refrigerante adecuados. Asegúrese de que esté disponible el número correcto de cilindros para contener la carga total del sistema. Todos los cilindros que se utilizarán están designados para el refrigerante recuperado y etiquetados para ese refrigerante (es decir, cilindros especiales para la recuperación de refrigerante). Los cilindros deben estar completos con válvula de alivio de presión y válvulas de cierre asociadas en buen estado de funcionamiento. Los cilindros de recuperación vacíos se evacuan y, si es posible, se enfrían antes de que se produzca la recuperación.
- El equipo de recuperación debe estar en buenas condiciones de funcionamiento con un conjunto de instrucciones relativas al equipo a mano y debe ser adecuado para la recuperación de refrigerantes inflamables. Además, debe disponerse de un juego de balanzas calibradas y en buen estado de funcionamiento. Las mangueras deben estar completas con acoplamientos de desconexión sin fugas y en buenas condiciones. Antes de usar la máquina de recuperación, verifique que esté en condiciones de funcionamiento satisfactorias, que haya recibido un mantenimiento adecuado y que todos los componentes eléctricos asociados estén sellados para evitar la ignición en caso de una fuga de refrigerante. Consulte al fabricante en caso de duda.
- El refrigerante recuperado se devolverá al proveedor de refrigerante en el cilindro de recuperación correcto y se dispondrá la nota de transferencia de residuos correspondiente. No mezcle refrigerantes en unidades de recuperación y especialmente no en cilindros.
- Si se van a quitar compresores o aceites de compresores, asegúrese de que hayan sido evacuados a un nivel aceptable para asegurarse de que no quede refrigerante inflamable dentro del lubricante. El proceso de evacuación se realizará antes de devolver el compresor a los proveedores. Solo se utilizará

calentamiento eléctrico del cuerpo del compresor para acelerar este proceso. Cuando se drena aceite de un sistema, este proceso debe llevarse a cabo de manera segura.

COMPETENCIA DEL PERSONAL DE SERVICIO

General

- Se requiere información de procedimiento adicional a la información estándar sobre los procedimientos de instalación, reparación, mantenimiento y desmantelamiento de aparatos de refrigeración cuando se trata de un aparato con refrigerantes inflamables.
- La formación para estos procedimientos la llevan a cabo organizaciones nacionales de formación y fabricantes que están acreditados para enseñar las normas de competencia nacionales pertinentes.
- La competencia lograda debe documentarse mediante un certificado.

Entrenamiento

La capacitación debe incluir lo siguiente:

- Información sobre el potencial de explosión de refrigerantes inflamables para demostrar que las sustancias inflamables pueden ser peligrosas si se manipulan sin cuidado.
- Información sobre posibles fuentes de ignición, especialmente aquellas que no son obvias, como interruptores de luz, aspiradoras o calentadores eléctricos.

Información sobre varios conceptos de seguridad:

- **En el caso de cerramiento sin ventilación**– (ver Cláusula GG.2) La seguridad del aparato no depende de la ventilación de la carcasa del aparato. Apagar el aparato y abrir la carcasa no tiene ningún efecto significativo sobre la seguridad. Sin embargo, es posible que se acumule refrigerante con fugas dentro del gabinete y que se libere refrigerante inflamable cuando se abra el gabinete.
- **En el caso de cerramiento ventilado** – (ver Cláusula GG.4) La seguridad del aparato depende de la ventilación de la carcasa. Apagar el aparato y / o abrir la carcasa tiene un efecto significativo en la seguridad. Se debe tener cuidado para asegurar una ventilación suficiente antes de abrir la carcasa.
- **Área Ventilada** – (ver Cláusula GG.5) La seguridad del aparato depende de la ventilación de la habitación. Apagar el aparato o abrir la carcasa no tiene ningún efecto significativo sobre la seguridad. La ventilación de la habitación no debe apagarse durante los procedimientos de reparación.

- Información sobre el concepto de componentes sellados y envolventes sellados según IEC 60079-15: 2010.

Información sobre los procedimientos de trabajo correctos:

a) Puesta en servicio

- Asegúrese de que el área del piso sea suficiente para la carga de refrigerante o que el conducto de ventilación esté ensamblado de la manera correcta.
- Conecte las tuberías y realice una prueba de fugas antes de cargar con refrigerante.
- Verifique el equipo de seguridad antes de usarlo.

b) Mantenimiento

- El equipo portátil debe repararse en el exterior o en un taller especialmente equipado para el mantenimiento de unidades con refrigerantes inflamables.
- Asegúrese de que haya suficiente ventilación en el lugar de reparación.
- Tenga en cuenta que el mal funcionamiento del equipo podría deberse a la pérdida de refrigerante y, por lo tanto, es posible que se produzca una fuga de refrigerante.
- Descargue los capacitores de manera que no generen chispas. Tenga en cuenta que el procedimiento estándar para cortocircuitar terminales de condensadores generalmente genera chispas.
- Vuelva a ensamblar los gabinetes sellados con precisión. Si los sellos están desgastados, reemplácelos.
- Verifique el equipo de seguridad antes de usarlo.

c) Reparación

- El equipo portátil debe repararse en el exterior o en un taller especialmente equipado para el mantenimiento de unidades con refrigerantes inflamables.
- Asegúrese de que haya suficiente ventilación en el lugar de reparación.
- Tenga en cuenta que el mal funcionamiento del equipo puede deberse a la pérdida de refrigerante y que es posible que se produzca una fuga de refrigerante.
- Descargue los capacitores de manera que no generen chispas.
- Cuando se requiera soldadura fuerte, los siguientes procedimientos deben llevarse a cabo en el siguiente orden:
 - Retire de forma segura el refrigerante siguiendo las normativas locales y nacionales. Si la recuperación no es requerida por las regulaciones nacionales, drene el refrigerante al exterior. Tenga cuidado de que el refrigerante drenado no cause ningún peligro. En caso de duda, una persona debe vigilar la salida. Tenga especial cuidado de que el refrigerante drenado no vuelva a entrar en el edificio.
 - Purgue el circuito frigorífico con nitrógeno exento de oxígeno.

- Vacíe el circuito de refrigerante.
- Purgue el circuito de refrigerante con nitrógeno durante 5 min (no es necesario para refrigerantes A2L).
- Vuelva a evacuar (no se requiere para refrigerantes A2L).
- Quite las piezas a reemplazar cortándolas o soldándolas.
- Purgue el punto de soldadura fuerte con nitrógeno durante el procedimiento de soldadura fuerte necesario para la reparación.
- Realice una prueba de fugas antes de cargar con el refrigerante.

d) Desmantelamiento

- La carga de refrigerante debe eliminarse antes de la puesta fuera de servicio.
- Asegúrese de que haya suficiente ventilación en la ubicación del equipo.
- Tenga en cuenta que el mal funcionamiento del equipo puede deberse a la pérdida de refrigerante y es posible que se produzca una fuga de refrigerante.
- Descargue los capacitores de manera que no generen chispas.
- Retire el refrigerante. Si la recuperación no es requerida por las regulaciones nacionales, drene el refrigerante al exterior. Tenga cuidado de que el refrigerante drenado no cause ningún peligro. En caso de duda, una persona debe vigilar la salida. Tenga especial cuidado de que el refrigerante drenado no vuelva a entrar en el edificio.
- Vacíe el circuito de refrigerante.
- Purgar el circuito frigorífico con nitrógeno durante 5 min.
- Evacuar de nuevo.
- Llenar con nitrógeno hasta la presión atmosférica.
- Coloque una etiqueta en el equipo que indique que se elimina el refrigerante.

e) Al deshacerse del electrodoméstico

- Asegúrese de que haya suficiente ventilación en el espacio de trabajo.
- Retire el refrigerante. Si la recuperación no es requerida por las regulaciones nacionales, drene el refrigerante al exterior. Tenga cuidado de que el refrigerante drenado no cause ningún peligro. En caso de duda, una persona debe vigilar la salida. Tenga especial cuidado de que el refrigerante drenado no vuelva a entrar en el edificio.
- Cuando se utilizan refrigerantes inflamables,
 - a) Vacíe el circuito del refrigerante.
 - b) Purgue el circuito frigorífico con nitrógeno exento de oxígeno.
 - c) Evacúe de nuevo (no es necesario para refrigerantes A2L).
 - d) Apague el compresor y drene el aceite.
- Vacíe el circuito de refrigerante.
- Purgar el circuito frigorífico con nitrógeno durante 5 min.

- Evacuar de nuevo.
- Corte el compresor y drene el aceite.

Transporte, marcado y almacenamiento de unidades que emplean refrigerantes inflamables

- **ATENCIÓN:** Pueden existir regulaciones de transporte adicionales con respecto a equipos que contienen gas inflamable. El número máximo de equipos o la configuración del equipo que se permite transportar juntos será determinado por las regulaciones de transporte aplicables.

Marcado de equipos mediante letreros

- La señalización adecuada para aparatos similares utilizados en las áreas de trabajo generalmente se rige por las regulaciones locales que proporcionarán los requisitos mínimos para la señalización de seguridad y / o salud en los lugares de trabajo.
- Todos los letreros requeridos deben mantenerse, y los empleadores deben asegurarse de que los empleados reciban instrucción y capacitación adecuadas y suficientes sobre el significado de los letreros de seguridad apropiados y las acciones que deben tomarse en relación con estos letreros.
- La eficacia de los letreros no debe verse disminuida por la colocación de demasiados letreros juntos.
- Los pictogramas que se utilicen deben ser lo más simples posible y contener solo detalles esenciales.

Eliminación de equipos que utilizan refrigerantes inflamables.

- Consulte las normativas nacionales.

Almacenamiento de equipos / electrodomésticos

- El almacenamiento del equipo debe realizarse de acuerdo con las instrucciones del fabricante.
- Para el almacenamiento de equipos empacados (no vendidos), la protección del paquete debe construirse de manera que los daños mecánicos al equipo dentro del paquete no provoquen una fuga de refrigerante.
- El número máximo de equipos que se permite almacenar juntos será determinado por las regulaciones locales.

GARANTÍA DEL FABRICANTE

Este aparato está cubierto por una garantía limitada del fabricante. Durante un año a partir de la fecha original de compra, el fabricante reparará o reemplazará cualquier pieza de este electrodoméstico que demuestre tener defectos de materiales y mano de obra, siempre que el electrodoméstico se haya utilizado en las condiciones de funcionamiento normales previstas por el fabricante.

Términos de garantía:

Durante el primer año, cualquier componente de este electrodoméstico que se encuentre defectuoso debido a los materiales o la mano de obra será reparado o reemplazado, a discreción del fabricante, sin cargo para el comprador original. El comprador será responsable de los gastos de traslado o transporte.

Exclusiones de garantía:

La garantía no se aplicará si el daño es causado por cualquiera de los siguientes:

- Fallo de alimentación
- Daños durante el transporte o al mover el aparato
- Suministro de energía inadecuado, como bajo voltaje, cableado doméstico defectuoso o fusibles inadecuados
- Accidente, alteración, mal uso o abuso del aparato como el uso de accesorios no aprobados, circulación de aire inadecuada en la habitación o condiciones de funcionamiento anormales (temperaturas extremas)
- Uso en aplicaciones comerciales o industriales
- Incendio, daños por agua, robo, guerra, disturbios, hostilidad o casos fortuitos como huracanes, inundaciones, etc.
- Uso de fuerza o daño causado por influencias externas
- Aparatos parcial o totalmente desmontados
- Exceso de desgaste por parte del usuario

Obtención del servicio:

Cuando haga un reclamo de garantía, tenga disponible la factura de compra original con la fecha de compra. Una vez confirmado que su electrodoméstico es elegible para el servicio de garantía, todas las reparaciones serán realizadas por un centro de reparación autorizado de Newair™. El comprador será responsable de los gastos de traslado o transporte. Las piezas y / o unidades de reemplazo serán nuevas, refabricadas o reacondicionadas y están sujetas a la discreción del fabricante. Para soporte técnico y servicio de garantía, envíe un correo electrónico a support@newairusa.com.