

newair[®]

MiniDryer26W

Apartment Size Mini Dryer



OWNER'S MANUAL

Read and save these instructions.



A Name You Can Trust

Trust should be earned and we will earn yours. Customer happiness is the focus of our business.

From the factory to the warehouse, from the sales floor to your home, the whole NewAir family promises to provide you with innovative products, exceptional service, and support when you need it the most.

Count on NewAir.


As a proud NewAir owner, welcome to our family. There are no robots here, real people shipped your product and real people are here to help you.

Contact Us:

For questions regarding your product, please contact us at:

Call: 1-855-963-9247
Email: support@newair.com
Online: www.newair.com

Connect with Us:

 facebook.com/newairusa  instagram.com/newairusa
 youtube.com/newairusa  twitter.com/newairusa

READ AND SAVE THESE INSTRUCTIONS

TABLE OF CONTENTS

Register Your Product Online.....	4
Safety Information & Warnings.....	5
Parts List	8
Installation Instructions.....	9
Wall Mounting Instructions	10
Operating Your Dryer	12
Drying Time Reference Table	13
Control Panel Functions	13
Operation Precautions.....	15
Maintenance.....	17
Troubleshooting	19
Limited Manufacturer's Warranty.....	20

PRODUCT SPECIFICATIONS

Model No.:	MiniDryer26W
Drying Capacity:	8.8lbs
Power Source:	120V AC 60Hz
Rated Input:	1400W
Dimensions:	23.6 x 17.1 x 27.6 inches
Net Weight:	44lbs

Register Your Product Online

Register Your NewAir Product Online Today!

Take advantage of all the benefits product registration has to offer:



Service and Support

Diagnose troubleshooting and service issues faster and more accurately



Recall Notifications

Stay up to date for safety, system updates and recall notifications



Special Promotions

Opt-in for NewAir promotions and offers

Registering your product information online is safe & secure and takes less than 2 minutes to complete:

register.newair.com

Alternatively, we recommend you attach a copy of your sales receipt below and record the following information, located on the manufacturer's nameplate on the rear of the unit. You will need this information if it becomes necessary to contact the manufacturer for service inquiries.

Date of Purchase: _____

Serial Number: _____

Model Number: _____

SAFETY INFORMATION & WARNINGS



WARNING: When using electrical appliances, basic safety precautions should always be followed to reduce the risk of fire, electric shock, and/or injury.

FOR YOUR SAFETY

Read all instructions carefully, even if you are quite familiar with the appliance.

- This appliance is not intended for use by persons (including children) with reduced physical, sensory, or mental capabilities, or lack of experience and knowledge, unless they have been given supervision or instruction concerning use of the appliance by a person responsible for their safety.
- Do not allow children to play on or in the appliance. Close supervision of children is necessary when the appliance is in use.
- This appliance is not intended for outdoor use, **INDOOR USE ONLY**.
- Do not place flammable objects, such as candles, on the appliance.
- Do not place the appliance or cord near heat sources, such as radiators, heaters, air ducts, or direct sunlight.
- Do not block any of the ventilation openings. Ensure that the vents are not covered by newspapers, tablecloths, curtains, etc.
- Do not run the cord under floor coverings. Instead, arrange the cord where it will not become a trip hazard.
- To disconnect the appliance do the following: turn the appliance off, switch off the power outlet, and remove the plug from the power outlet.
- Do not misuse the cord. Never carry the appliance by the cord, or pull to disconnect it from the outlet. Instead, grasp the plug and pull to disconnect.
- If any of the following occur do not operate the appliance: if it has a damaged cord or plug, if the appliance malfunctions, or it has been dropped or damaged in any way. Consult the manufacturer as soon as possible.
- Do not attempt to repair, disassemble, or modify this appliance. The warranty becomes void if not serviced or repaired by a qualified person.

- Do not reach into the appliance if the drum is moving.
- Do not place items that have been soiled with flammable liquids inside the dryer without washing them with detergent thoroughly before hand.
- Do not excessively bend, stretch, twist, or bind the power cord, or place heavy objects on it.
- Do not install in a tight fitting cabinet.
- Do not overload the tumble dryer.
- Do not dry items that have been previously cleaned in, washed in, soaked in, or spotted with gasoline, dry cleaning solvents, or other flammable or explosive substances, as they give off vapors that could ignite or explode.
- Before the appliance is removed from service or discarded, remove the door to the drying compartment.
- Do not install or store this appliance where it will be exposed to the weather.
- Do not tamper with controls.
- Do not repair or replace any part of the appliance or attempt any servicing, unless specifically recommended in this manual and have the skills to carry out.
- Do not use fabric softeners or products to eliminate static, unless recommended by the manufacturer of the fabric softener or product.
- Do not use heat to dry items containing foam rubber or similarly textured rubber-like materials.
- Keep the area around the exhaust opening and adjacent surrounding areas free from the accumulation of lint, dust, and dirt.
- The interior of the appliance and exhaust duct should be cleaned periodically by qualified service personnel.
- Do not place items exposed to cooking oils in your dryer. Items contaminated with cooking oils may contribute to a chemical reaction that could cause the load to catch fire.
- Ensure foreign objects do not find their way into the tub of the tumble dryer.
- Clean lint screen before or after each load.

- Do not dry unwashed items in the tumble dryer.
- Items that have been soiled with substances, such as cooking oil, acetone, alcohol, petrol, kerosene, hair care products, spot removers, turpentine, waxes, and wax removers should be washed in hot water with an extra amount of detergent before being dried in the tumble dryer. This will reduce, but not eliminate the hazard.
- Fabric softeners, or similar products, should be used as specified by the fabric softener instructions.
- The final part of a tumble dryer cycle occurs without heat, this is the cool down cycle that ensures the items are left at a temperature that the items will not be damaged.



WARNING: Oil affected items can ignite spontaneously, especially when exposed to heat sources, such as in a tumble dryer. The items become warm, causing an oxidation reaction in the oil. Oxidation creates heat. If the heat cannot escape, the items can become hot enough to catch fire. Piling, stacking, or storing oil affected items can prevent heat from escaping and so create a fire hazard.

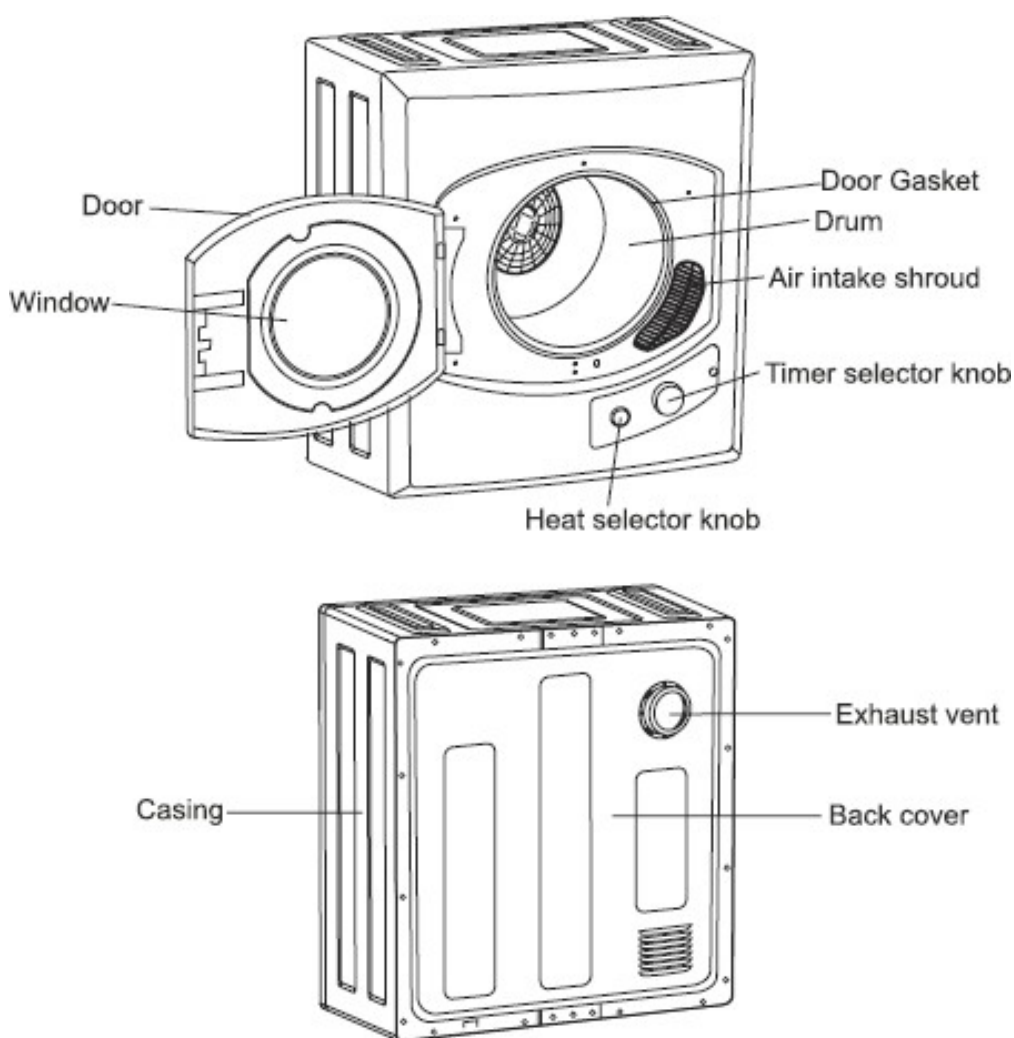
- Risk of Fire. The installation for this portable dryer must be performed by a qualified installer according to the manufacturer's instructions and local codes.
- Do not install flexible plastic venting materials to clothes dryer. If flexible foil metal duct is installed, it must be a specific type that has been identified by the appliance's manufacturer and is suitable for use with clothes dryers. Flexible venting materials are known to collapse, be easily crushed, and trap lint. These conditions will obstruct clothes dryer airflow and increase the risk of fire.
- To reduce the risk of severe injury or death, follow all installation instructions.
- Connect to individual branch circuit.
- This appliance must be grounded. In the event of malfunction or breakdown, grounding will reduce the risk of electric shock by providing a path of least resistance for electric current. This appliance is equipped with a cord having an equipment grounding conductor and grounded in accordance with all local codes and ordinances.
- Improper connection of the equipment grounding conductor can result in a risk of electric shock. Check with a qualified electrician or service representative or personnel if you are in doubt as to whether the appliance is properly grounded.

- Do not modify the plug provided with the appliance. If it will not fit the outlet, have a proper outlet installed by a qualified electrician.
- Do not place the dryer on carpet, as this will block the intake. It must be placed on firm horizontal ground. There should be at least 6 inches between the dryer and the walls.



WARNING: This dryer cannot be used upside down.

PARTS LIST



NOTE: Consistent with our continuing product development policy, improvements may have been made which render the contents of this package slightly different to that shown.

INSTALLATION INSTRUCTIONS



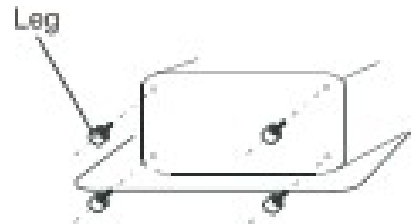
WARNING: This dryer cannot be placed upside down.

WHERE TO PLACE YOUR DRYER

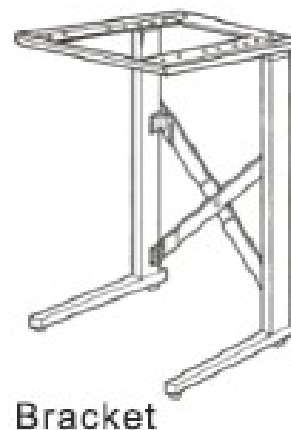
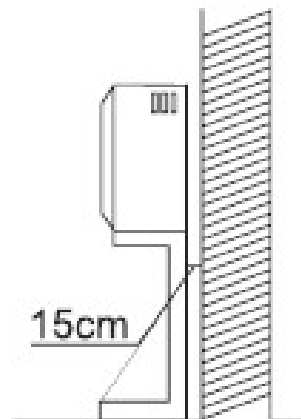
Place the dryer in a dry, well ventilated area. It should be positioned away from heat and direct sunlight.

If the dryer is not wall mounted, it must be placed on firm horizontal ground. Do not place the dryer on carpet, as this will block the intake. There should be at least 6 inches between the dryer and the walls.

The dryer comes with fixed legs that need to be assembled to ensure stability.



If the dryer is rack mounted, a secure bracket is required to ensure stability and prevent vibration. At least 6 inches are required between the dryer and walls. (The bracket is not included.)



WALL MOUNTING INSTRUCTIONS

1. Determine the position on the wall for the dryer and mark the required bracket position. This dryer is not suitable to be directly placed on top of a washing machine.



A minimum of 2 inches is needed between the top of the dryer and the ceiling for ease of installation.

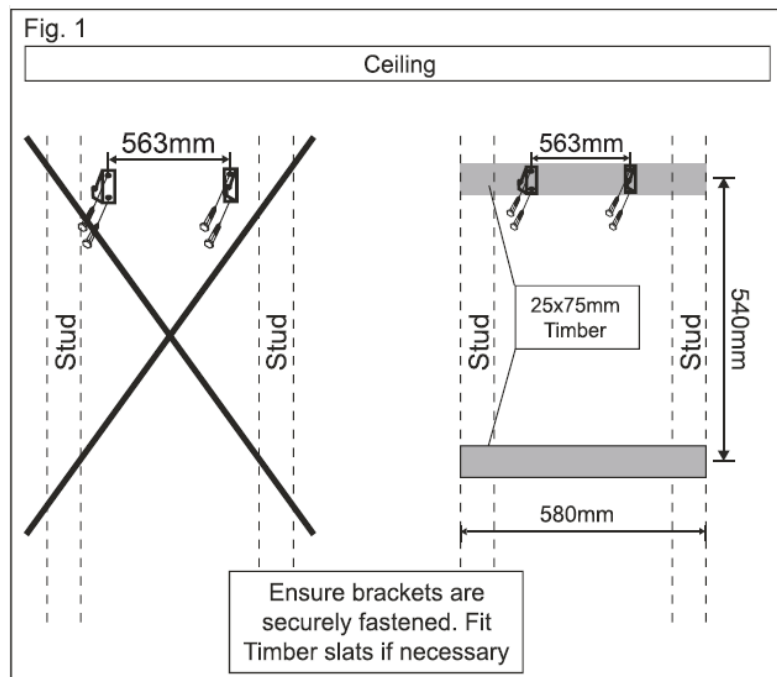
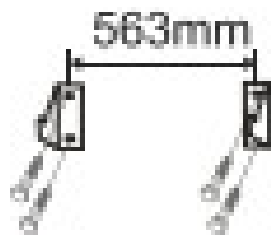


If mounting above a washing machine, allow sufficient room to open the lid of the washer.

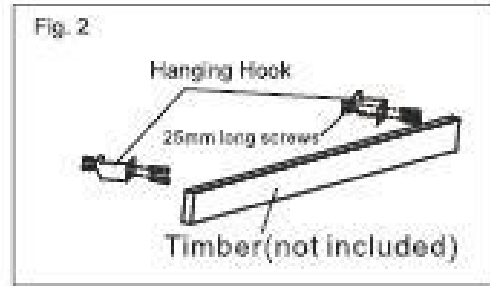
Tools required		
Tools & parts required for Plaster/ wooden wall	Drill & 3mm Bit	1
	Philips Head Screw Driver	1
	Wood Screws, ϕ 12x 50mm Timber Screws	4
	Helper to lift dryer onto wall	1

Wall Mounting Kit Includes			
Description	Hanging brackets		2
	Plastic Spacers		2
	Exhaust Connector		1
	Flexible Pipe		1
	12mm Long Screws		4
	25mm Long Screws		4

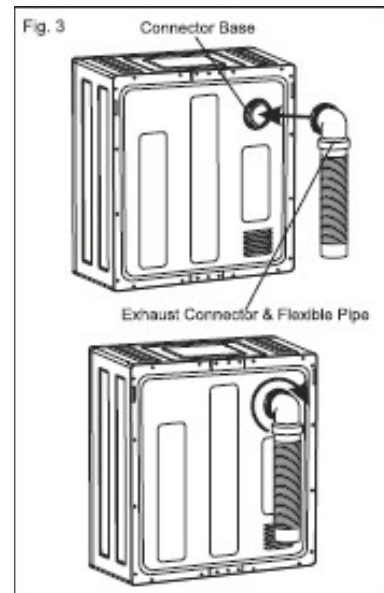
2. Fix the wall hanging brackets (two supplied) to the wall securely (i.e., into the stud.) Fit a timer slat between the studs to mount the brackets onto if the stud position is too wide.



3. To install the hanging hook to timber, start at **Fig. 2**.

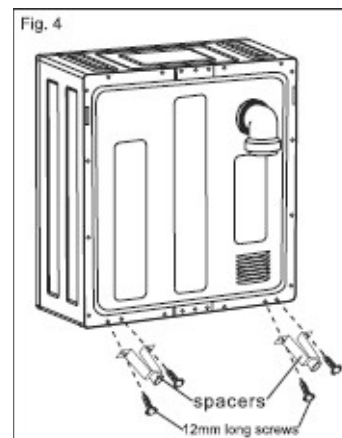


4. Align the hanging hooks and fasten the screws tightly.
 5. Install the Exhaust Connector. Adjust the direction to suit the installation (as per **Fig. 3**).

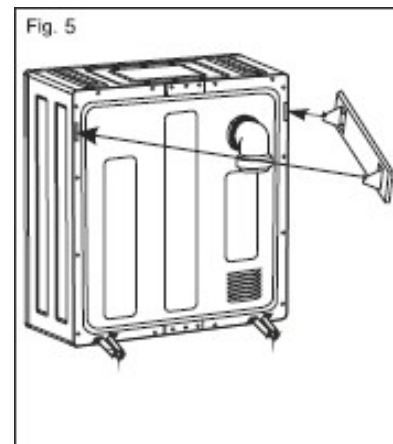


6. Rotate the Connector clockwise to fix the pipe to the Connector Base. Tighten.

7. Use 4 x 12mm screws (provided) to fix the 2 spacers as per **Fig. 4**.



8. With assistance, mount dryer on wall bracket. See **Fig. 5**.



OPERATING YOUR DRYER

ELECTRICAL REQUIREMENTS

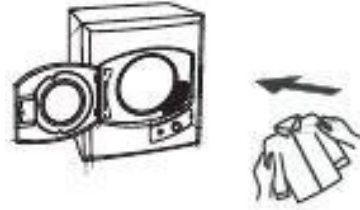
The unit is required to be plugged into a three pin socket that is reliably grounded.

The power supply must be 120V. Plus the power cord into the socket.



LOADING THE DRYER

It is recommended that items are placed into the dryer one at a time. This ensures they are not tangled, which results in uneven drying. When closing the dryer door prior to starting the unit, ensure that items are not jammed in the door.



TIPS BEFORE DRYING

- Prior to loading the dryer, check that the items do not have the following symbols anywhere on them. If they do, do not tumble dry these items.
- Check that the items that are going to be dried do not have combustible materials or foreign objects within them (i.e., lighters, hair pins, coins.)
- Turn items with zippers inside out and fasten buckles.



- Dryer heat may permanently set stains, ensure you check prior to drying that stains are removed.
- Separate dark and light colored items as you would do when washing.
- For best results, load dryer with similar fabrics. Place small delicate items in a mesh bag and do not overload the dryer.
- The maximum mass is 8.8 pounds of dry textile material, do not overload. The tumble dryer is intended only for drying textile material washed in water.

DRYING TIME REFERENCE TABLE

Drying Capacity	Dry Time	
	High	Low
Approx. 3.3lb	Approx. 60 min	Approx. 110 min
Approx. 5.5lb	Approx. 120 min	Approx. 150 min
Approx. 8.8lb	Approx. 200 min	-

Drying times can be affected by many factors, such as material, bulkiness, how full the dryer is, etc. The above list is a guide only.

CONTROL PANEL FUNCTIONS

HEAT SELECTOR BUTTON

Select HIGH for items that are particularly bulky or large quantities.

Select LOW for delicate items, such as silk, nylon, linen, etc.



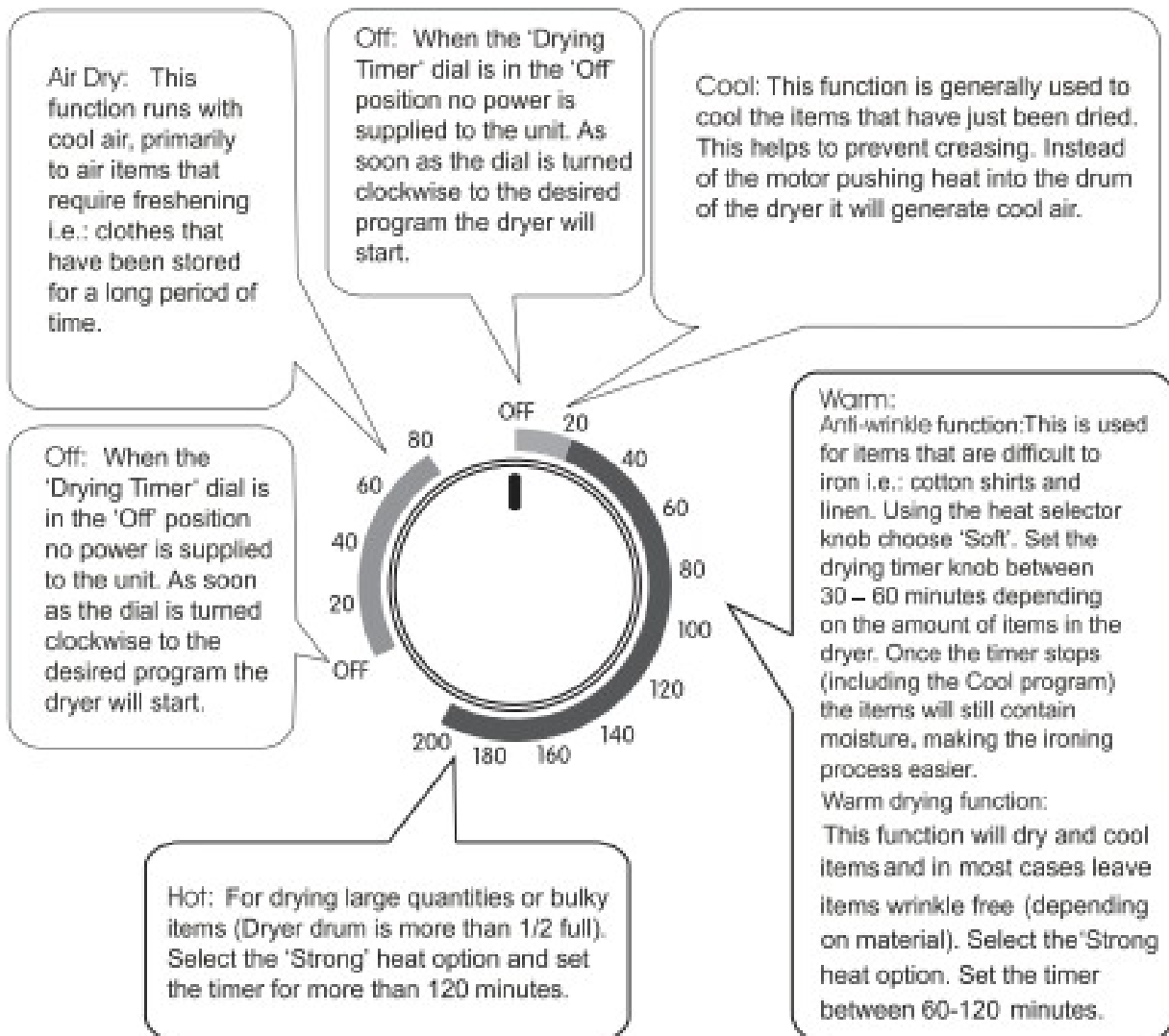
Low



High

Heat Selector Knob

DRYING PROGRAM SELECTOR



OPERATION PRECAUTIONS

Delicate items should be placed into a nylon net bag prior to drying. It is not recommended to dry underwire bras in this unit.



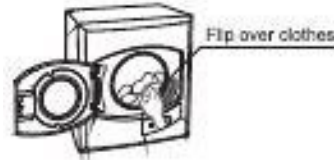
Ensure that foreign objects do not find their way into the dryer. All pockets should be emptied, buttons, buckles, and zips fastened. This will also help reduce impact noise when the items hit against the turning drum.



Do not add items into the dryer while it is in operation.



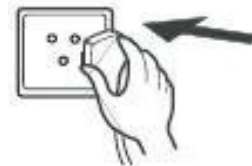
If drying large items, such as a blanket, it is recommended that from time to time, you open the dryer door, shake the items, place the item back in the dryer and close the door. This will ensure even drying.



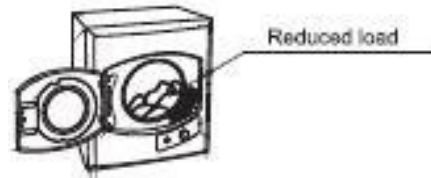
If any of the labels shown are on items that you are going to place in the dryer, do not place in the dryer, for it may damage the item.



Electrical Requirements: A three pin socket must be used (reliably grounded.)



To ensure you get the most out of the anti-wrinkle function, do not overload the dryer and remove the dried items from the dryer immediately and hang on coat hangers. If desired, iron the items afterwards.



To minimize the risk of fire in a tumble dryer, the following should be observed:

- Items that have been spotted or soaked with vegetable or cooking oil constitute a fire hazard and should not be placed in a tumble dryer.
- Oil affected items can ignite spontaneously, especially when exposed to heat sources, such as in a tumble dryer. The items become warm, causing an oxidation reaction in the oil. Oxidation creates heat. If the heat cannot escape,

the items can become hot enough to catch fire. Piling, stacking, or storing oil affected items can prevent heat from escaping and so create a fire hazard.

- If fabrics contain vegetable or cooking oil or have been contaminated by hair care products, they should first be washed in hot water with extra detergent – this will reduce, but not eliminate, the hazard.
- The “cool down” cycle of tumble dryers should be used to reduce the temperature of the items. The items should not be removed from the tumble dryer or piled or stacked while hot.
- Items that have been previously cleaned in, washing in, soaked in or spotted with petrol/gasoline, dry cleaning solvents, or other flammable or explosive substances should not be placed in a tumble dryer.
- Highly flammable substances commonly used in domestic environments include but are not limited to: acetone, denatured alcohol, petrol/gasoline, kerosene, spot removers (some brands), turpentine, waxes, and wax removers.
- Items containing foam rubber (also known as latex foam) or similarly textured rubber-like materials should not be dried in a tumble dryer on a heat setting. Foam rubber materials can, when heated, produce fire by spontaneous combustion.
- Fabric softeners, or similar products, should not be used in a tumble dryer to eliminate the effects of static electricity, unless this practice is specifically recommended by the manufacturer of the fabric softener or product.
- Undergarments that contain metal reinforcements should not be placed in a tumble dryer. Damage to the tumble dryer can result if metal reinforcements come loose during drying. If available, a drying rack could be used for such items.
- Plastic articles, such as shower caps or babies’ waterproof napkin covers should not be placed in a tumble dryer.
- Rubber backed articles, clothes fitted with foam rubber pads, pillows, galoshes, and rubber coated tennis shoes should not be placed in a tumble dryer

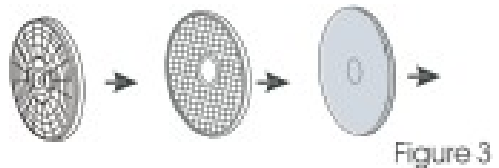
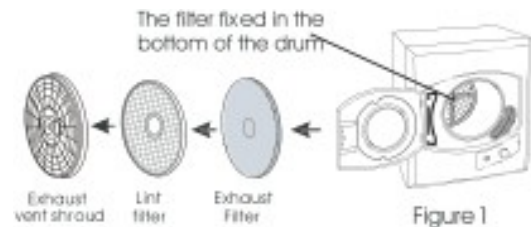
MAINTENANCE

CLEANING THE LINT FILTER



Please unplug the power cord prior to any cleaning. The lint filter must be cleaned before each use and in place when drying.

1. **Removing the filters.** The filter is in three parts: exhaust vent shroud, lint filter, and exhaust filter (as shown in **Fig. 1.**) Remove by pulling outwards with fingers, by inserting into the four holes around the exhaust vent shroud.
2. **Cleaning the filter.** Separate the “exhaust vent shroud,” the “lint filter,” and the “exhaust filter.” Clean the lint on the lint filter and exhaust filter with a soft brush or vacuum cleaner. Do not damage the filters (as shown in **Fig. 2.**)
3. **Re-installing the filter.** After cleaning the filter, assemble in the sequence of the “exhaust filter,” the “lint filter,” and the “exhaust filter.” Align the recesses in the center with the projection in the center of the drum. Make sure that it is firmly inserted (as shown in **Fig. 3.**)

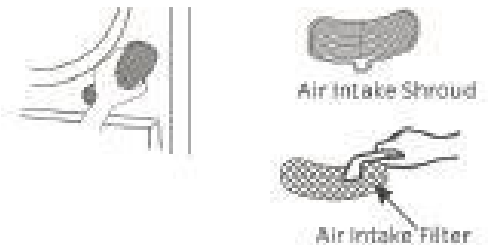


The filter fixed in the bottom of the drum should also be cleaned with a soft brush.

CLEANING OF THE AIR INTAKE FILTER

The filter should be cleaned once a month.

Remove by pulling outwards holding the upper and lower ends of the air intake shroud. Remove the filter inside the shroud and clean it with a soft brush. Reassemble and install as before.



Slightly push upwards with your thumb until the latch hook disconnects and then remove.

CLEANING THE INTERIOR & EXTERIOR OF THE DRYER

1. Do not wash directly with water.
2. Do not use thinner, gasoline, or alcohol.
3. Do not use any type of spray cleaner when cleaning the interior. If dryer drum becomes stained, clean the drum with a damp cloth.
4. Remove any residue before drying the next load.
5. Clean cabinet with mild soap and water. Do not use harsh or abrasive cleansers, this could damage the dryer.



CAUTION: HOT SURFACE!! Do not touch the intake during the drying cycle due to high temperatures.

TROUBLESHOOTING

Review the following pages before calling for service.

Problem	Possible Causes	Solution
Timer knob does not work	The power cord is not inserted firmly	Insert the power cord firmly
Drum does not turn	The door is not closed	Close the door
	The power cord is not inserted	Insert the power cord firmly
	The receptacle does not have power	Check the power cord receptacle
Hot air is not blowing out	The timer is set incorrectly on cold air	Set the time to hot air
The laundry is not thoroughly dried	The front and back filters are clogged	Clean the filter
	There is too much clothes in the dryer	Reduce the amount of clothes in the dryer
	Items were added while the dryer is in operation	Re-dry the items again
	The clothes became twisted while drying	Untwist the items and re-dry
	The dryer is placed in a small and badly ventilated area	Place the dryer in a well vented area
	The set on the dryer is set to ANTI-WRINKLE	Try using WARM or HOT setting instead
Dryer does not start	Power failure	Try again when there is power
	The power cord is not inserted firmly	Insert the power cord firmly
	The door is not closed	Close the door
	The timer is set to the OFF position	Set the dry time

LIMITED MANUFACTURER'S WARRANTY

This appliance is covered by a limited manufacturer's warranty. For one year from the original date of purchase, the manufacturer will repair or replace any parts of this appliance that prove to be defective in materials and workmanship, provided the appliance has been used under normal operating conditions as intended by the manufacturer.

Warranty Terms:

During the first year, any components of this appliance found to be defective due to materials or workmanship will be repaired or replaced, at the manufacturer's discretion, at no charge to the original purchaser. The purchaser will be responsible for any removal or transportation costs.

Warranty Exclusions:

The warranty will not apply if damage is caused by any of the following:

- Power failure
- Damage in transit or when moving the appliance
- Improper power supply such as low voltage, defective household wiring or inadequate fuses
- Accident, alteration, misuse or abuse of the appliance such as using non-approved accessories, inadequate air circulation in the room or abnormal operating conditions (extreme temperatures)
- Use in commercial or industrial applications
- Fire, water damage, theft, war, riot, hostility or acts of God such as hurricanes, floods, etc.
- Use of force or damage caused by external influences
- Partially or completely dismantled appliances
- Excess wear and tear by the user

Obtaining Service:

When making a warranty claim, please have the original bill of purchase with purchase date available. Once confirmed that your appliance is eligible for warranty service, all repairs will be performed by a NewAir™ authorized repair facility. The purchaser will be responsible for any removal or transportation costs. Replacement parts and/or units will be new, re-manufactured or refurbished and is subject to the manufacturer's discretion. For technical support and warranty service, please email support@newair.com