



NWC012BK00

NWC016BK00

NWC024BK00

NWC034BK00

NWC051BK00

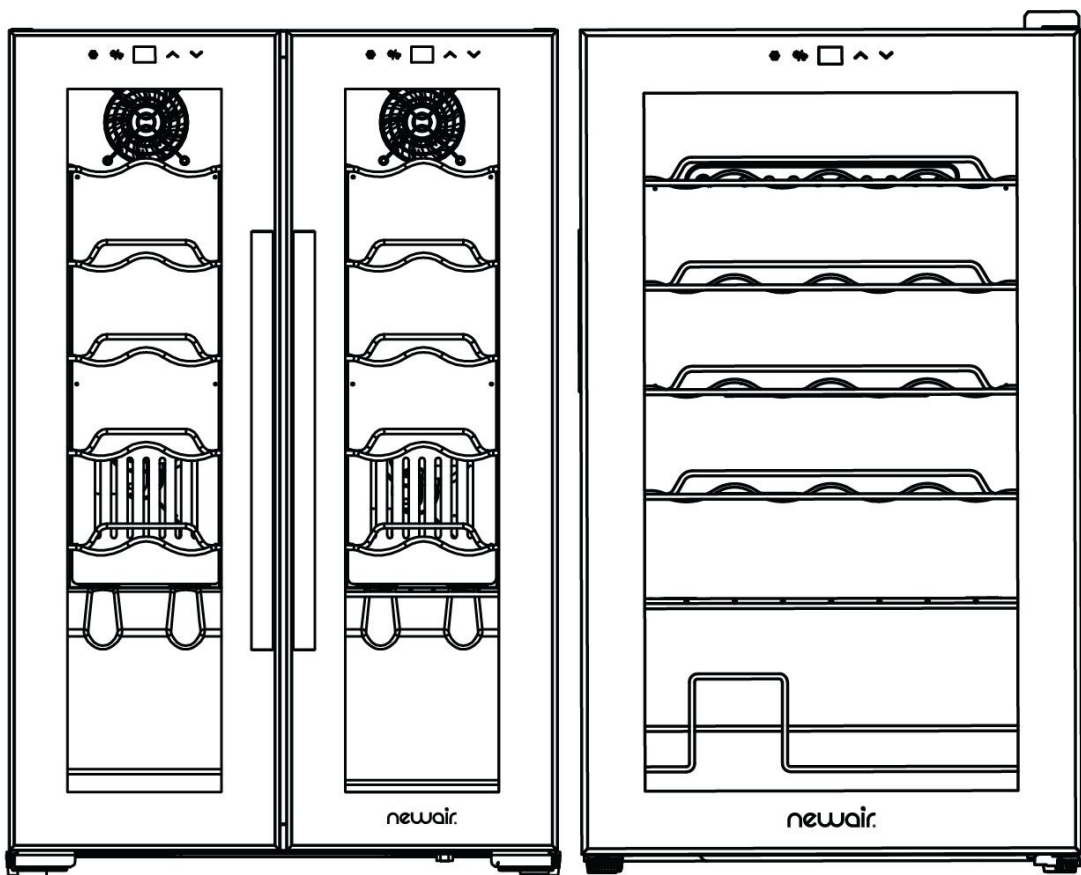
NWC033BKD0

NWB051BKD0

Newair Wine Coolers

Newair Refroidisseurs À Vin

Newair Enfriador De Vino



OWNER'S MANUAL

Manuel de L'utilisateur

Manual del Propietario



Intertek

Manual v1.0

LANGUAGE INDEX

English Manual.....	3
Manuel en Français.....	21
Manual en Español.....	40

A Name You Can Trust

Trust should be earned and we will earn yours. Customer happiness is the focus of our business.

From the factory to the warehouse, from the sales floor to your home, the whole Newair family promises to provide you with innovative products, exceptional service, and support when you need it the most.

Count on Newair

As a proud Newair owner, welcome to our family. There are no robots here, real people shipped your product and real people are here to help you.

Contact Us

Please reach out to our customer service team before making a return to your store of purchase. We are happy to help with any questions or concerns!

Mon-Fri from 8-4 PST at:

Call: 1-855-963-9247
Email: support@newair.com
Online: www.newair.com

A team member will respond to you within 24 hours.

Follow Us



Facebook.com/newairusa



Instagram.com/newairusa



YouTube.com/newairusa



Twitter.com/newairusa

READ AND SAVE THESE INSTRUCTIONS.

TABLE OF CONTENTS

Specifications 6

Register Your Product Online..... 7

Safety Information & Warnings 9

Parts List..... 10

 Your Wine Cooler Features 14

Operating Instructions 15

 Control Panel 15

 Defrosting Your Wine Cooler 17

Cleaning & Maintenance..... 18

 Cleaning Your Wine Cooler 18

Troubleshooting..... 19

Limited Manufacturer’s Warranty 20

SPECIFICATIONS

MODEL NO.	NWC012BK00
POWER SUPPLY:	115V 60Hz
RATED POWER:	95W
UNIT DIMENSIONS (W x D x H):	9.9 x 17.7 x 31.2 in.
NET WEIGHT:	38.3 Lbs.

MODEL NO.	NWC016BK00
POWER SUPPLY:	115V 60Hz
RATED POWER:	85W
UNIT DIMENSIONS (W x D x H):	16.93 x 18.9 x 20.28 in.
NET WEIGHT:	37.2 lbs.

MODEL NO.	NWC024BK00
POWER SUPPLY:	115V 60Hz
RATED POWER:	95W
UNIT DIMENSIONS (W x D x H):	16.9 x 17.7 x 29.1 in.
NET WEIGHT:	48.5 Lbs.

MODEL NO.	NWC034BK00
POWER SUPPLY:	115V 60Hz
RATED POWER:	95W
UNIT DIMENSIONS (W x D x H):	18.7 x 17.3 x 33.1 in.
NET WEIGHT:	58.5 Lbs.

MODEL NO.	NWC051BK00
POWER SUPPLY:	115V 60Hz
RATED POWER:	90W
UNIT DIMENSIONS (W x D x H):	19.5 x 22.2 x 33.4 in.
NET WEIGHT:	66.5 Lbs.

MODEL NO.	NWC033BKD0
POWER SUPPLY:	115V 60Hz
RATED POWER:	95W
UNIT DIMENSIONS (W x D x H):	19.5 x 16.9 x 33.4 in.
NET WEIGHT:	61.5 Lbs.

MODEL NO.	NWB051BKD0
POWER SUPPLY:	115V 60Hz
RATED POWER:	95W
UNIT DIMENSIONS (W x D x H):	20 x 19.3 x 31.4 in.
NET WEIGHT:	69.4 Lbs.

REGISTER YOUR PRODUCT ONLINE

Register Your Newair Product Online Today!

Take advantage of all the benefits product registration has to offer:



Service and Support

Diagnose troubleshooting and service issues faster and more accurately



Recall Notifications

Stay up to date for safety, system updates and recall notifications



Special Promotions

Opt-in for Newair promotions and offers

Registering your product information online is safe & secure and takes less than 2 minutes to complete:

newair.com/register

Alternatively, we recommend you attach a copy of your sales receipt below and record the following information, located on the manufacturer's nameplate on the rear of the unit. You will need this information if it becomes necessary to contact the manufacturer for service inquiries.

Date of Purchase: _____

Serial Number: _____

Model Number: _____

SAFETY INFORMATION & WARNINGS



Your safety and the safety of others are very important to us.

We have provided many important safety messages in this manual and on your appliance. Always read and obey all safety messages.

WARNING:

- Read all instructions carefully before attempting to operate your wine fridge. Improper usage could result in injury or a reduction in efficacy.
- Remove all packaging before using this device. Please keep all packaging materials out of reach of children and pets.
- Properly dispose of all packing materials immediately after unpacking product, as the bags used for packaging could present a suffocation or choking hazard.
- This product contains small parts that can be a choking hazard for children under the age of 3 years old. Please keep children away from the wine fridge during the installation process and do not let children near the wine fridge unsupervised.
- Never allow children to operate, play with, or crawl inside the wine fridge.
- This wine fridge is not intended for use by persons (including children) with reduced physical, sensory, or mental capabilities, or lack of experience and knowledge, unless they have been given supervision or instruction concerning use of the appliance by a person responsible for their safety.
- Do not attempt to repair or replace any parts or service this unit unless specifically recommended in this User Guide. If the supply cord is damaged, it must be replaced by the manufacturer, a service agent or a similarly qualified person in order to avoid a hazard.
- When positioning your wine fridge, make sure the supply cord is not obstructed by other objects, tangled or damaged. If you suspect damage to the supply cord, please contact the manufacturer immediately and do not try and fix yourself.
- Use only with a properly grounded, standard 115V 60Hz electrical outlet to avoid the risk of electrical shock. Do not use with an extension cord.
- Leave a space of at least 6" in the back of the unit and 10" on both sides to make sure the wine fridge has enough ventilation to avoid overheating.
- Do not use mechanical or electrical tools to accelerate the defrosting process, other than those recommended by the manufacturer.
- Do not damage the refrigerant circuit.
- Do not store explosive substances such as aerosol cans with a flammable propellant in this wine fridge.

- This wine fridge is intended to be used in your home, however it can also be used in the following applications:
 - staff kitchen areas in shops, offices and other work environments;
 - farmhouses and by clients in hotels, motels and other commercial environments;
 - bed and breakfast type environments;
 - catering and similar non-retail applications.
- Follow these proper storage techniques to avoid food and drinks from going prematurely bad:
 - Keep the door closed. Opening the door for long periods can cause a significant increase of the temperature in the wine fridge.
 - Clean the interior and exterior surfaces regularly, especially any areas that can come in direct contact with stored food and drinks.
 - Follow this protocol if your wine fridge has been left on and empty for an extended period of time: switch off, defrost, clean, dry, and leave the door open to prevent mold from developing within the wine fridge.
- This wine fridge contains flammable refrigerant R600a and foaming agent cyclopentane. Please note the following:
 - Please avoid any contact with fire when transporting or using the wine fridge.
 - Please ask a professional to service the wine fridge when it needs fixing.
 - Please send the wine fridge to your local appointed disposal station if it needs discarding.

IMPORTANT SETUP NOTES

- Before plugging in your Wine Cooler, allow to stand upright for 3 hours.
- Place only on a level surface that will support the full weight once Wine Cooler has been fully loaded. You can ensure the unit is level by placing a small ball on top and checking to make sure it does not roll in any direction.
- Position in a dry, well-ventilated space with temperatures between 41°F – 90°F (5°C – 32°C).
- Leave a space of at least 6" in the back of the unit and 10" on both sides.
- Do not place any objects on top of the unit.
- Do not use without feet: the unit requires 2" of ground clearance.

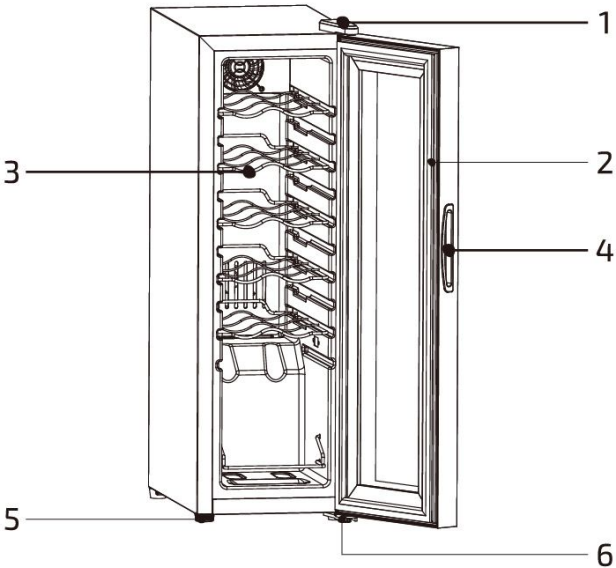
WARNING: Risk of child entrapment. Before you throw away your old wine fridge, please follow these steps:

- Take off the doors.

- Leave the shelves in place so that children may not easily climb inside.
- Make sure to leave at least 50mm of space on the back and each side.

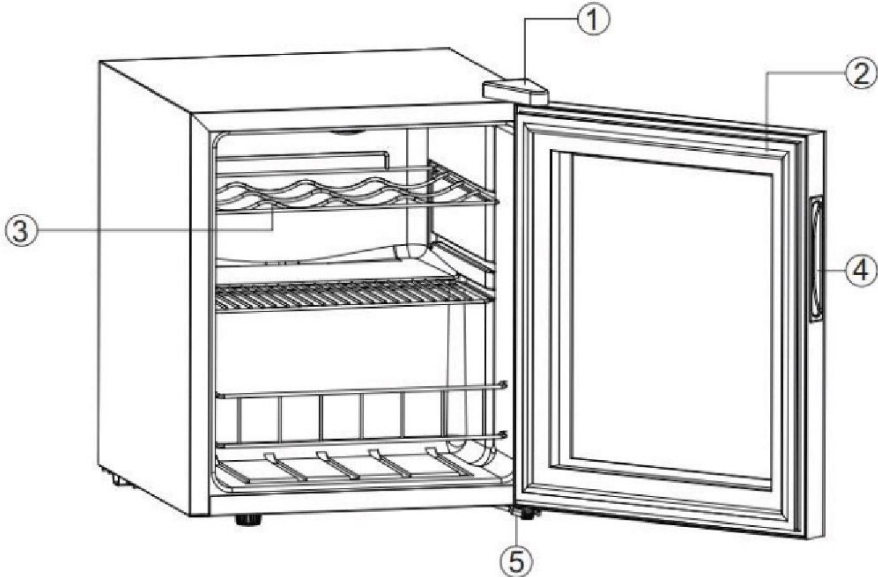
PARTS LIST

NWC012BK00



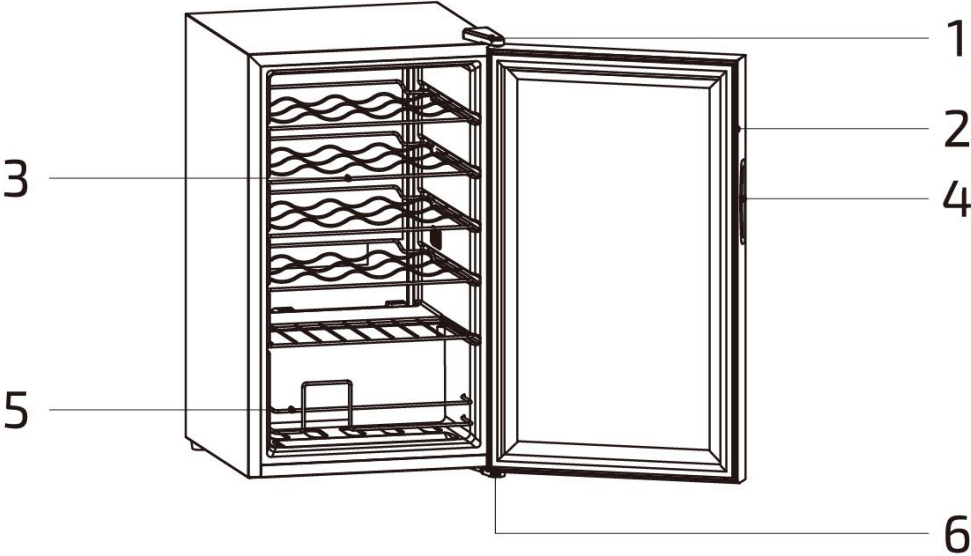
- 1. Upper Hinge
- 2. Door Gasket
- 3. Shelves
- 4. Door Handle
- 5. Adjust Foot
- 6. Bottom Hinge

NWC016BK00



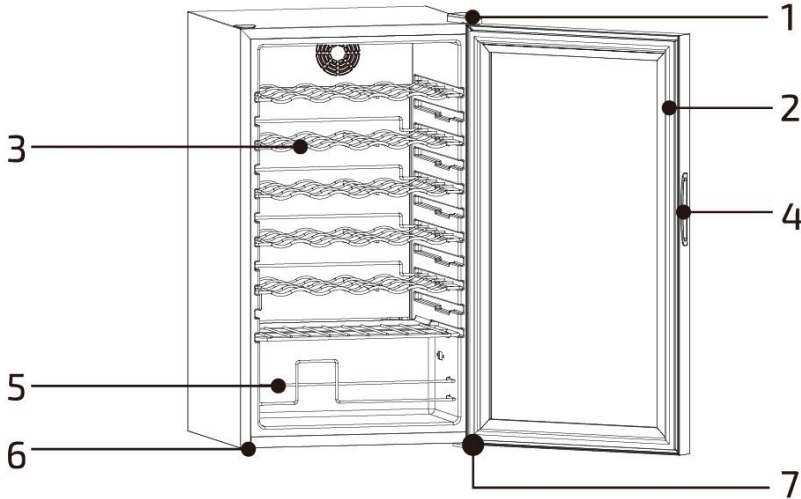
- 1. Upper Hinge
- 2. Door Gasket
- 3. Shelves
- 4. Door Handle
- 5. Bottom Hinge

NWC024BK00



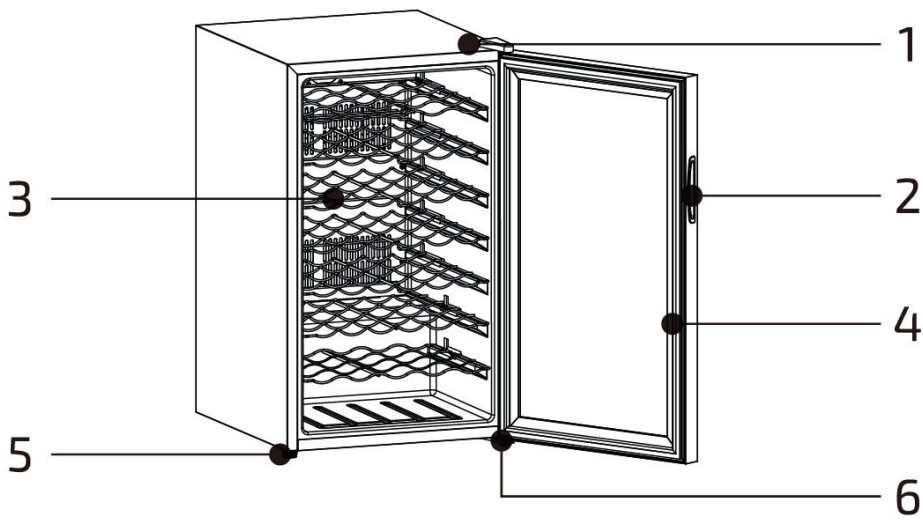
- 1. Upper Hinge
- 2. Door Gasket
- 3. Shelves
- 4. Door Handle
- 5. Display Shelves
- 6. Bottom Hinge

NWC034BK00



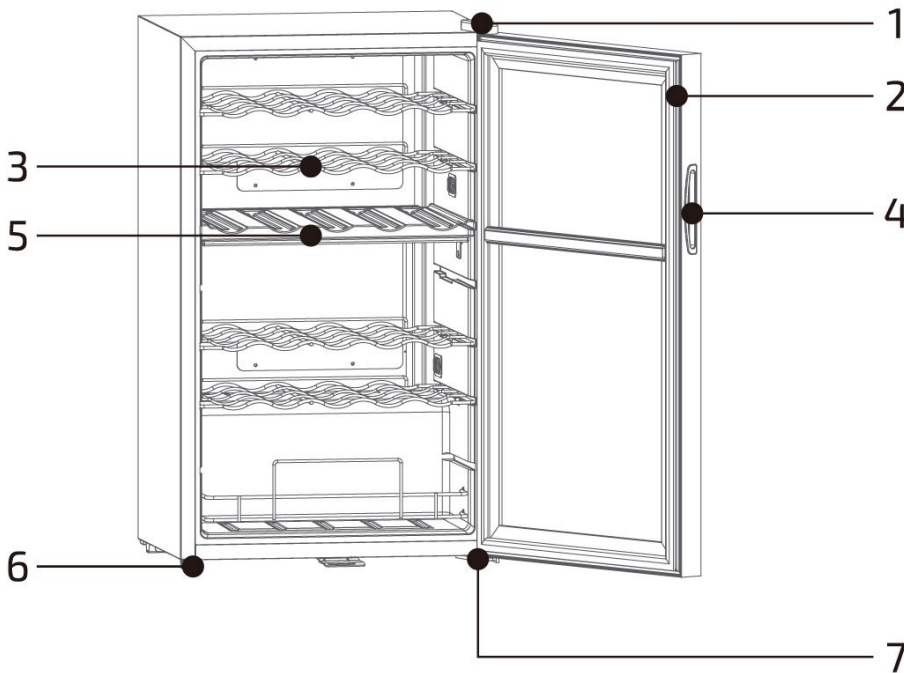
- 1. Upper Hinge
- 2. Door Gasket
- 3. Shelves
- 4. Door Handle
- 5. Display Shelf
- 6. Adjust Foot
- 7. Bottom Hinge

NWC051BK00



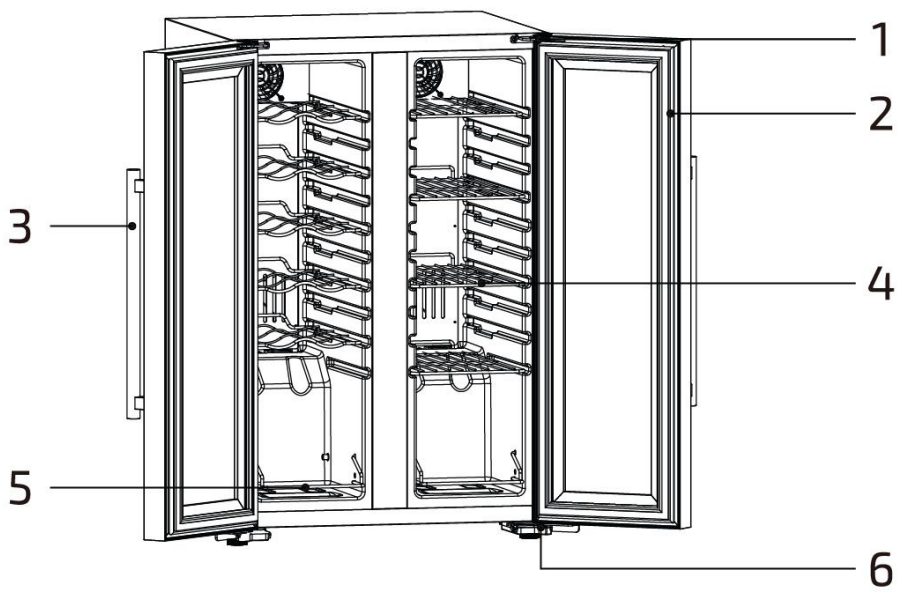
- | | |
|----------------|-----------------|
| 1. Upper Hinge | 4. Door Gasket |
| 2. Door Handle | 5. Adjust Foot |
| 3. Shelves | 6. Bottom Hinge |

NWC033BKD0



- | | |
|----------------|-----------------|
| 1. Upper Hinge | 5. Partitions |
| 2. Door Gasket | 6. Foot |
| 3. Shelves | 7. Bottom Hinge |
| 4. Door Handle | |

NWB051BKDO



- 1. Upper Hinge
- 2. Door Gasket
- 3. Door Handle
- 4. Shelves
- 5. Display Shelves
- 6. Bottom Hinge

YOUR WINE COOLER FEATURES

- Keeps red and/or white wines at their proper temperature
- One-touch controls and LCD display
- Interior lighting with independent on/off control
- Celsius or Fahrenheit, adjustable by one-degree increments
- Chrome shelves are easy to pull out
- Automatic panel lock
- Tempered smoked glass door protects wines from UV rays
- Black metal exterior
- CFC-free solid polyurethane foam insulation

OPERATING INSTRUCTIONS

CONTROL PANEL

SINGLE ZONE MODELS:

NWC016BK00



1. After turning on the fridge, the LED display will show the ambient temperature first, and then the internal cabinet temperature.
2. Press the "light" button to turn the interior lighting on and off. Use the up and down arrows to adjust the temperature. The interior temperature can be adjusted in increments of 1 degree between 39°F and 65°F.
3. After you set the desired temperature, this set temperature will flash for 5 seconds on the display and then revert back to displaying the current internal temperature.
4. Select the temperature display setting to display in Fahrenheit or Celsius.

NWC012BK00/ NWC024BK00/ NWC034BK00/ NWC051BK00/ NWC051BKD0







DUAL ZONE MODELS:

NWC033BKD0



1. Unlock the control panel by pressing the  button for 2 seconds. A beep will alert you that the panel has been unlocked. (For Dual Zone models, press once more to select either the upper or lower zone.)

2. Adjust the temperature in 1 degree increments by pressing the  and  buttons until desired temperature is reached.
3. To switch between Fahrenheit and Celsius, press the  for 2 seconds.
4. You can also turn the interior light on or off by pressing the  button. The light will turn off automatically after 10 minutes.

DEFROSTING YOUR WINE COOLER

The unit's Auto Defrost feature should prevent ice accumulation from occurring.

However, should ice accumulation occur, do the following:

- Unplug the wine cooler
- Wait for all ice to melt
- Once the ice is completely melted, clean the water from the wine cooler with a dry cloth
- Plug in and restart the wine cooler

RECOMMENDED TEMPERATURE

Model	Storage Capacity	Temperature Range
NWC012BK00	12 Standard Bottles	41-64°F (5-18°C)
NWC016BK00	16 Standard Bottles	39-65°F (4-18°C)
NWC024BK00	24 Standard Bottles	41-64°F (5-18°C)
NWC034BK00	34 Standard Bottles	41-64°F (5-18°C)
NWC033BKDO	33 Standard Bottles Dual Zone	Upper Zone:54-64°F (12-18°C) Lower Zone:41-57°F (5-14°C)
NWC051BK00	51 Standard Bottles	41-64°F (5-18°C)
NWB051BKDO	12 Standard Bottles and 39 Standard Cans	Left Zone:37-64°F (3-18°C) Right Zone:37-64°F (3-18°C)

	Fahrenheit	Celsius
Red Wines	57° - 65°	14° - 18°
White Wines, Champagnes and Sparkling Wines, and Dry Varietals	49° - 58°	9° - 14°
Rosé Wines	51° - 53°	10° - 11°

CLEANING & MAINTENANCE

CLEANING YOUR WINE COOLER

TO CLEAN THE EXTERIOR:

- Unplug the wine cooler before cleaning.
- Do not use abrasive cleaning products.
- Wash the cabinet exterior only with mild soap and water and rinse thoroughly.
- Clean the glass door with glass cleaner or mild soap and water and a soft cloth.
- Wipe the control panel with a damp cloth and dry thoroughly. To avoid damaging the panel, do not use cleaning sprays or over-saturate it with water.

TO CLEAN THE INTERIOR:

- Unplug before cleaning.
- Do not use abrasive cleaning products.
- Cleaning the door gasket:
 - Use mild soap or baking soda solution
 - Rinse well
 - Apply a thin layer of petroleum jelly to the gasket at the hinge side to prevent it from sticking
- Use a warm water and baking soda solution inside the unit (about one tablespoon of baking soda to one quart of water) to clean and neutralize odors.

TROUBLESHOOTING

Problem	Possible Cause and Solution
If the unit doesn't work:	Check to make sure the power supply has the correct voltage. Also check to make sure there isn't a circuit breaker that has been tripped or a blown fuse.
If the unit isn't getting cold enough:	Make sure the temperature settings are adjusted correctly. If so, the room in which the unit is operating might be too hot. Also check whether the door has been opened too frequently or has not been completely closed. Check the seal on the door to make sure it is intact. Make sure the unit has sufficient clearance on all sides.
If the unit vibrates or makes excessive noise:	Make sure the unit has been placed on a level, stable surface. Also check to make sure the fan is working properly.
If the LED display is not working or shows an error message:	Check to see if the unit is plugged in properly. If so, there may be a problem with the main circuit board that requires professional servicing.
If the buttons don't work:	The Control Panel may be damaged.

LIMITED MANUFACTURER'S WARRANTY

This appliance is covered by a limited manufacturer's warranty. For one year from the original date of purchase, the manufacturer will repair or replace any parts of this appliance that prove to be defective in materials and workmanship, provided the appliance has been used under normal operating conditions as intended by the manufacturer.

Warranty Terms:

During the first year, any components of this appliance found to be defective due to materials or workmanship will be repaired or replaced, at the manufacturer's discretion, at no charge to the original purchaser. The purchaser will be responsible for any removal or transportation costs.

Warranty Exclusions:

The warranty will not apply if damage is caused by any of the following:

- Power failure
- Damage in transit or when moving the appliance
- Improper power supply such as low voltage, defective household wiring or inadequate fuses
- Accident, alteration, misuse or abuse of the appliance such as using non-approved accessories, inadequate air circulation in the room or abnormal operating conditions (extreme temperatures)
- Use in commercial or industrial applications
- Fire, water damage, theft, war, riot, hostility or acts of God such as hurricanes, floods, etc.
- Use of force or damage caused by external influences
- Partially or completely dismantled appliances
- Excess wear and tear by the user

Obtaining Service:

When making a warranty claim, please have the original bill of purchase with the purchase date available. Once confirmed that your appliance is eligible for warranty service, all repairs will be performed by a Newair™ authorized repair facility. The purchaser will be responsible for any removal or transportation costs. Replacement parts and/or units will be new, re-manufactured or refurbished and is subject to the manufacturer's discretion. For technical support and warranty service, please email support@newairusa.com.

Un nom de confiance

La confiance doit être gagnée et nous allons mériter la vôtre. La satisfaction du client est notre priorité.

De l'usine à l'entrepôt et de la surface de vente à votre domicile, les fabricants des produits Newair font la promesse de vous fournir des produits novateurs, un service exceptionnel et un soutien au moment où vous en avez le plus besoin.

Vous pouvez compter sur Newair

En votre qualité de fier propriétaire d'un produit Newair, nous vous souhaitons la bienvenue dans notre famille. Notre entreprise n'utilise aucun robot, uniquement de véritables personnes pour vous livrer votre produit et de véritables personnes pour vous aider.

Contactez-nous

Veillez contacter notre équipe du service client avant de faire un retour dans votre magasin d'achat. Nous sommes heureux de répondre à toutes vos questions ou préoccupations!

Contactez-nous du lundi au vendredi de 8h à 4h HNP au:

Téléphone : 1 855 963-9247
Courriel : support@newair.com
En ligne : www.newair.com

Un membre de l'équipe vous répondra dans les 24 heures.

Suivez-nous :



Facebook.com/newairusa



Instagram.com/newairusa



YouTube.com/newairusa



Twitter.com/newairusa

LISEZ ET CONSERVEZ CES INSTRUCTIONS.

TABLE DES MATIÈRES

Caractéristiques	24
Enregistrer Votre Produit En Ligne	26
Consignes De Sécurité Et Mises En Garde.....	28
Liste Des Pièces.....	29
Caractéristiques De Votre Refroidisseur De Vin	33
Mode D'emploi	35
Panneau De Commande	36
Dégivrage De Votre Refroidisseur À Vin	36
Température Recommandée.....	35
Nettoyage Et Entretien	36
Nettoyage De Votre Refroidisseur À Vin	37
Dépannage.....	38
Garantie Limitée Du Fabricant	39

CARACTÉRISTIQUES

NUMÉRO DE MODÈLE:	NWC012BK00
ALIMENTATION:	115V 60Hz
PUISSANCE NOMINALE:	95W
DIMENSIONS DE L'UNITÉ (L x P x H):	9.9 x 17.7 x 31.2 in.
POIDS NET:	38.3 Lbs.

NUMÉRO DE MODÈLE:	NWC016BK00
ALIMENTATION:	115V 60Hz
PUISSANCE NOMINALE:	85W
DIMENSIONS DE L'UNITÉ (L x P x H):	16.93 x 18.9 x 20.28 in.
POIDS NET:	37.2 lbs.

NUMÉRO DE MODÈLE:	NWC024BK00
ALIMENTATION:	115V 60Hz
PUISSANCE NOMINALE:	95W
DIMENSIONS DE L'UNITÉ (L x P x H):	16.9 x 17.7 x 29.1 in.
POIDS NET:	48.5 Lbs.

NUMÉRO DE MODÈLE:	NWC034BK00
ALIMENTATION:	115V 60Hz
PUISSANCE NOMINALE:	95W
DIMENSIONS DE L'UNITÉ (L x P x H):	18.7 x 17.3 x 33.1 in.
POIDS NET:	58.5 Lbs.

NUMÉRO DE MODÈLE:	NWC051BK00
ALIMENTATION:	115V 60Hz
PUISSANCE NOMINALE:	90W
DIMENSIONS DE L'UNITÉ (L x P x H):	19.5 x 22.2 x 33.4 in.
POIDS NET:	66.5 Lbs.

NUMÉRO DE MODÈLE:	NWC033BK00
ALIMENTATION:	115V 60Hz
PUISSANCE NOMINALE:	95W
DIMENSIONS DE L'UNITÉ (L x P x H):	19.5 x 16.9 x 33.4 in.
POIDS NET:	61.5 Lbs.

NUMÉRO DE MODÈLE:	NWB051BKD0
ALIMENTATION:	115V 60Hz
PUISSANCE NOMINALE:	95W
DIMENSIONS DE L'UNITÉ (L x P x H):	20 x 19.3 x 31.4 in.
POIDS NET:	69.4 Lbs.

ENREGISTRER VOTRE PRODUIT EN LIGNE

Enregistrer votre produit Newair en ligne dès aujourd'hui!

Profitez de tous les avantages de l'enregistrement de votre produit :



Services et soutien

Faites un diagnostic des problèmes d'utilisation et de service plus rapidement et plus efficacement



Avis de rappel

Restez à l'affût des mises à jour du système et de sécurité, et des avis de rappel



Promotions spéciales

Abonnez-vous pour recevoir les promotions et offres de Newair

Enregistrer l'information relative à votre produit en ligne est sécuritaire et prendra moins de 2 minutes :

newair.com/register

Alternativement, nous vous recommandons de joindre une copie de votre reçu de vente ci-dessous et de noter les informations suivantes, situées sur la plaque signalétique du fabricant à l'arrière de l'appareil. Vous aurez besoin de ces informations pour contacter le fabricant pour des demandes de service.

Date d'Achat: _____

Numéro De Série: _____

Numéro De Modèle: _____

CONSIGNES DE SÉCURITÉ ET MISES EN GARDE



Attendez 24 heures avant d'allumer. Pendant ce temps, nous vous recommandons de laisser la porte ouverte pour éliminer les odeurs résiduelles.

AVERTISSEMENT:

- Lisez attentivement toutes les instructions avant d'essayer d'utiliser votre réfrigérateur à vin. Une mauvaise utilisation peut entraîner des blessures ou une réduction de l'efficacité.
- Enlevez tous les emballages avant d'utiliser cet appareil. Veuillez garder tous les matériaux d'emballage hors de la portée des enfants et animaux de compagnie.
- Éliminez correctement tous les matériaux d'emballage immédiatement après le déballage du produit, car les sacs utilisés pour l'emballage pourraient présenter un risque de suffocation ou d'étouffement.
- Ce produit contient de petites pièces qui peuvent être un risque d'étouffement pour les enfants de moins de 3 ans. Veuillez éloigner les enfants du réfrigérateur à vin pendant le processus d'installation et ne laissez pas les enfants près du réfrigérateur à vin sans surveillance.
- Ne laissez jamais les enfants opérer, jouer avec ou ramper à l'intérieur du réfrigérateur à vin.
- Ce réfrigérateur à vin n'est pas destiné à être utilisé par des personnes (y compris des enfants) ayant des capacités physiques, sensorielles ou mentales réduites, ou un manque d'expérience et de connaissances, sauf si elles ont reçu une supervision ou des instructions concernant l'utilisation de l'appareil par une personne responsable de leur sécurité.
- N'essayez pas de réparer ou remplacer des pièces ou d'entretenir cet appareil, sauf si c'est spécifiquement recommandé dans ce guide de l'utilisateur. Si le cordon d'alimentation est endommagé, il doit être remplacé par le fabricant, un agent de service ou une personne qualifiée similaire afin d'éviter tout danger.
- Quand vous positionnez votre réfrigérateur à vin, assurez-vous que le cordon d'alimentation n'est pas obstrué par d'autres objets, emmêlé ou endommagé. Si vous soupçonnez des dommages au cordon d'alimentation, veuillez contacter immédiatement le fabricant et n'essayez pas de le réparer vous-même.

- Utilisez uniquement avec une prise de courant standard de 115V 60Hz correctement mise à la terre pour éviter tout risque de choc électrique. Ne pas utiliser avec une rallonge.
- Laissez un espace d'au moins 6" à l'arrière de l'appareil et 10" des deux côtés pour vous assurer que le réfrigérateur à vin a suffisamment de ventilation pour éviter toute surchauffe.
- N'utilisez pas d'outils mécaniques ou électriques pour accélérer le processus de dégivrage, autres que ceux recommandés par le fabricant.
- N'endommagez pas le circuit de réfrigérant.
- Ne rangez pas de substances explosives comme des bombes aérosols avec un gaz propulseur inflammable dans ce réfrigérateur à vin.
- Ce réfrigérateur à vin est destiné à être utilisé dans votre maison, mais il peut également être utilisé dans les applications suivantes:
 - les espaces de cuisine du personnel dans les magasins, bureaux et autres environnements de travail;
 - les fermes et par les clients dans les hôtels, motels et autres environnements commerciaux;
 - environnements de type chambres d'hôtes;
 - la restauration et les applications non commerciales similaires.
- Suivez ces bonnes techniques de rangement pour éviter que les aliments et boissons ne deviennent prématurément mauvais:
 - Gardez la porte fermée. L'ouverture de la porte pendant de longues périodes peut entraîner une augmentation significative de la température dans le réfrigérateur à vin.
 - Nettoyez régulièrement les surfaces intérieures et extérieures, en particulier les zones qui peuvent entrer en contact direct avec les aliments et les boissons rangés.
 - Suivez ce protocole si votre réfrigérateur à vin a été laissé allumé et vide pendant une longue période: éteignez, dégivrez, nettoyez, séchez et laissez la porte ouverte pour empêcher la moisissure de se développer dans le réfrigérateur à vin.
- Ce réfrigérateur à vin contient un réfrigérant inflammable R600a et un agent moussant cyclopentane. Veuillez noter ce qui suit:

- Veuillez éviter tout contact avec le feu lors du transport ou de l'utilisation du réfrigérateur à vin.
- Veuillez demander à un professionnel d'entretenir le réfrigérateur à vin lorsqu'il a besoin d'être réparé.
- Veuillez envoyer le réfrigérateur à vin à votre station d'élimination locale s'il doit être jeté.

REMARQUES D'INSTALLATION IMPORTANTES

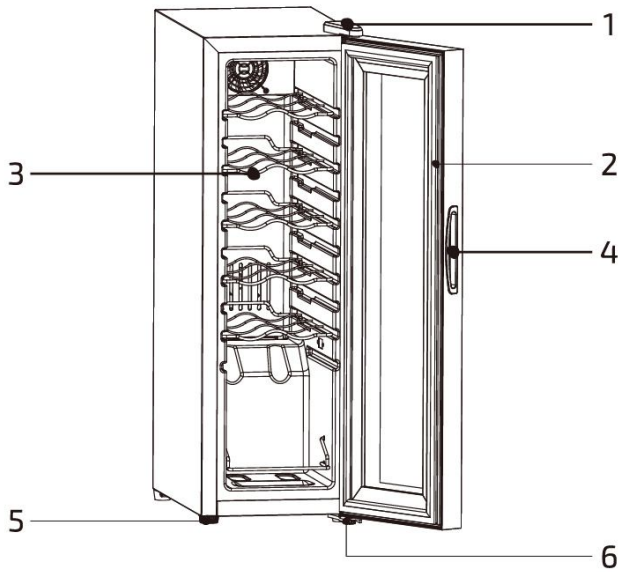
- Avant de brancher votre Refroidisseur De Vin, laissez-le se tenir debout pendant 3 heures.
- Placez uniquement sur une surface plane qui supportera le poids total une fois que le Refroidisseur De Vin a été complètement chargé. Vous pouvez vous assurer que l'unité est de niveau en plaçant une petite balle sur le dessus et en vérifiant qu'elle ne roule pas dans toute direction.
- Positionnez dans un espace sec et bien ventilé avec des températures comprises entre 5°C et 32°C (41°F et 90°F).
- Laissez un espace d'au moins 6" à l'arrière de l'unité et 10" des deux côtés.
- Ne placez aucun objet sur le dessus de l'appareil.
- Ne pas utiliser sans pieds: l'unité nécessite une garde au sol de 2".

AVERTISSEMENT: Risque de piégeage d'enfants. Avant de jeter votre vieux réfrigérateur à vin, veuillez suivre ces étapes:

- Enlevez les portes.
- Laissez les tablettes en place afin que les enfants ne puissent pas facilement grimper à l'intérieur.
- Assurez-vous de laisser au moins 50 mm d'espace sur le dos et de chaque côté.

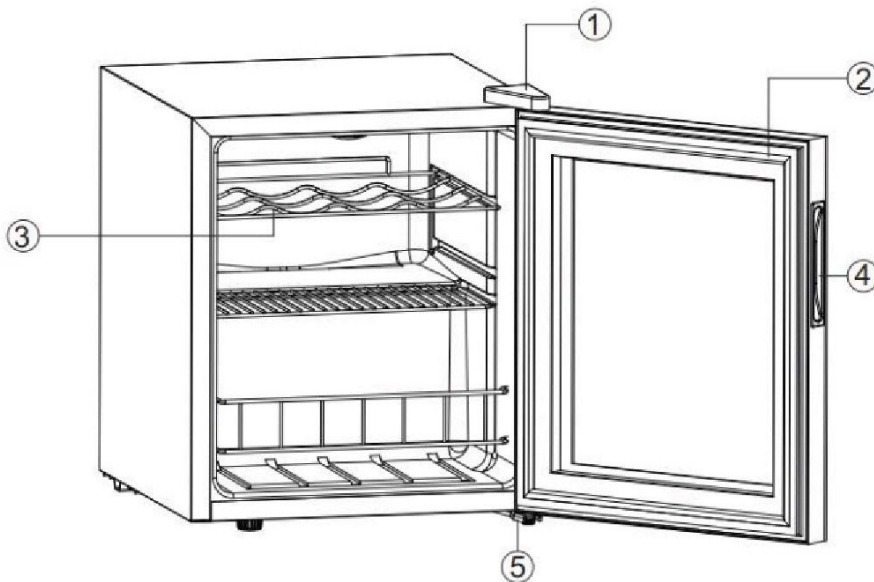
LISTE DES PIÈCES

NWC012BK00



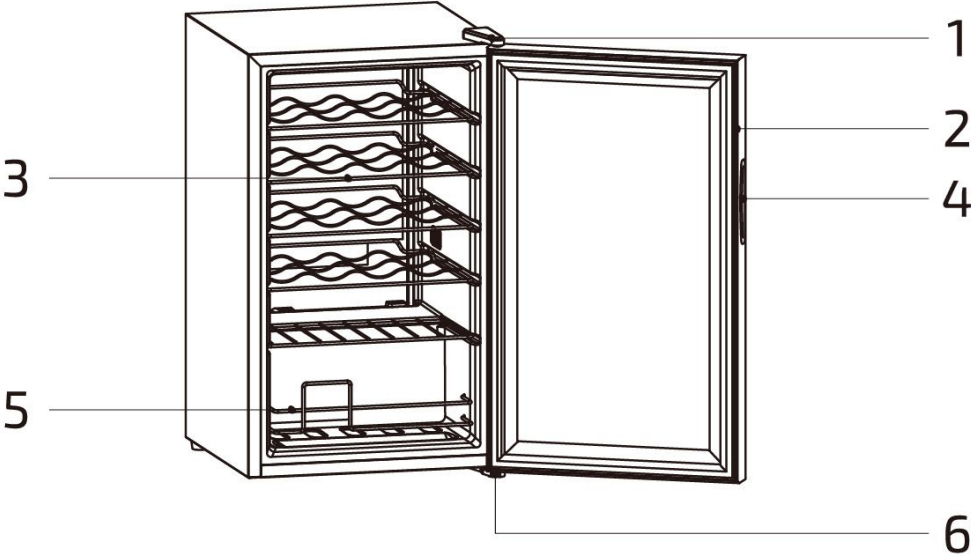
- 1. Upper Hinge
- 2. Door Gasket
- 3. Shelves
- 4. Door Handle
- 5. Adjust Foot
- 6. Bottom Hinge

NWC016BK00



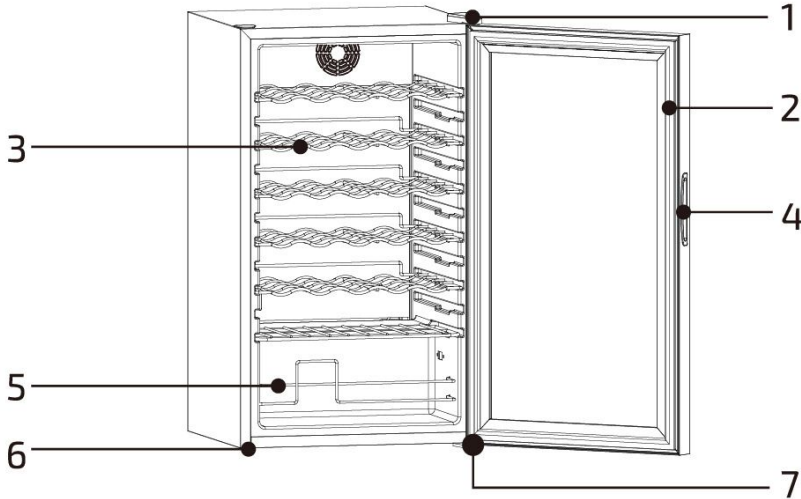
- 1. Upper Hinge
- 2. Door Gasket
- 3. Shelves
- 4. Door Handle
- 5. Bottom Hinge

NWC024BK00



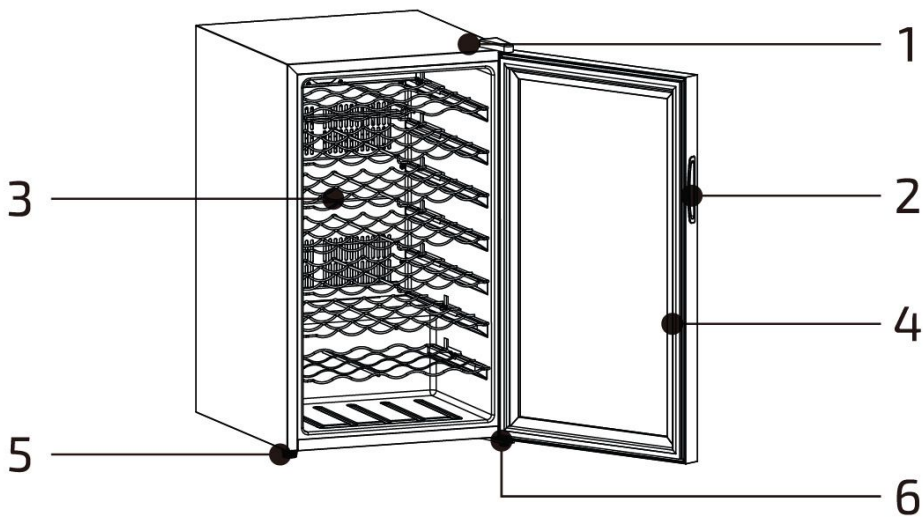
- 1. Upper Hinge
- 2. Door Gasket
- 3. Shelves
- 4. Door Handle
- 5. Display Shelves
- 6. Bottom Hinge

NWC034BK00



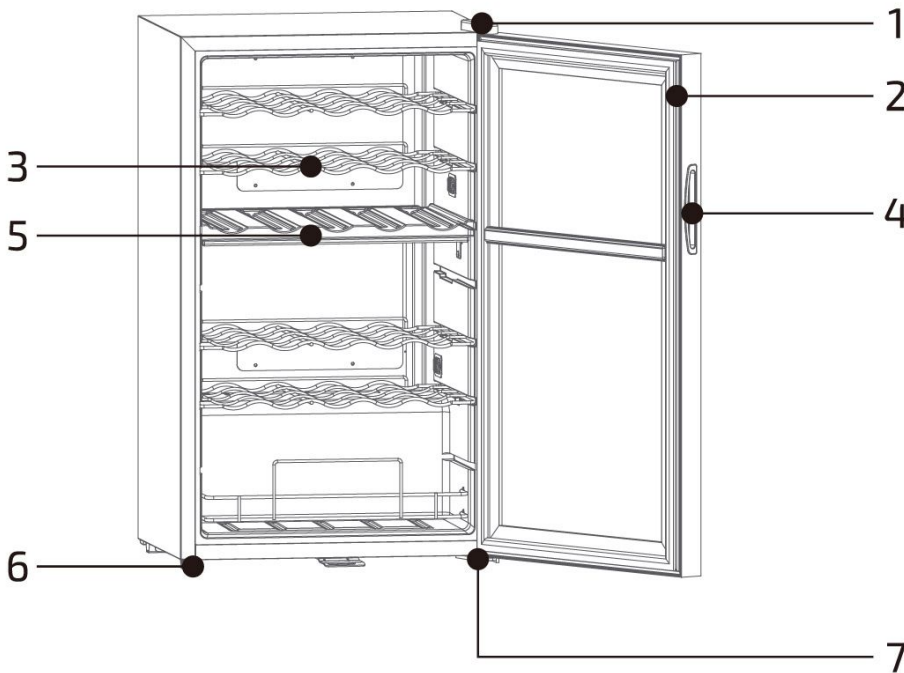
- 1. Upper Hinge
- 2. Door Gasket
- 3. Shelves
- 4. Door Handle
- 5. Display Shelf
- 6. Adjust Foot
- 7. Bottom Hinge

NWC051BK00



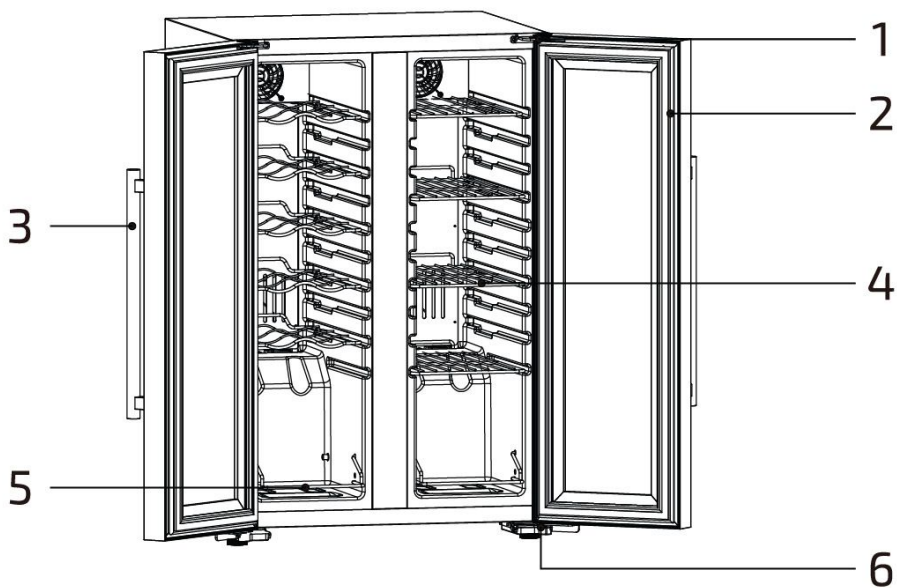
- 1. Upper Hinge
- 2. Door Handle
- 3. Shelves
- 4. Door Gasket
- 5. Adjust Foot
- 6. Bottom Hinge

NWC033BKD0



- 1. Upper Hinge
- 2. Door Gasket
- 3. Shelves
- 4. Door Handle
- 5. Partitions
- 6. Foot
- 7. Bottom Hinge

NWB051BKDO



- 1. Upper Hinge
- 2. Door Gasket
- 3. Door Handle
- 4. Shelves
- 5. Display Shelves
- 6. Bottom Hinge

CARACTÉRISTIQUES DE VOTRE REFROIDISSEUR DE VIN

- Maintient les vins rouges et/ou blancs à leur bonne température
- Commandes tactiles et écran DCL
- Éclairage intérieur avec commande marche/arrêt indépendante
- Celsius ou Fahrenheit, réglable par incréments d'un degré
- Les tablettes chromées sont faciles à retirer
- Verrouillage automatique du panneau
- La porte en verre fumé trempé protège les vins des rayons UV
- Extérieur en métal noir
- Isolation en mousse de polyuréthane solide sans CFC

MODE D'EMPLOI

PANNEAU DE COMMANDE

MODÈLES À ZONE UNIQUE:

NWC016BK00



1. Après avoir allumé le réfrigérateur, l'écran DEL affichera d'abord la température ambiante, puis la température interne de l'armoire.
2. Appuyez sur le bouton "lumière" pour allumer et éteindre l'éclairage intérieur. Utilisez les flèches haut et bas pour régler la température. La température intérieure peut être ajustée par incréments de 1 degré entre 39°F et 65°F.
3. Après avoir réglé la température désirée, cette température réglée clignote pendant 5 secondes sur l'affichage, puis revient à l'affichage de la température interne actuelle.
4. Sélectionnez le réglage d'affichage de la température pour afficher en Fahrenheit ou Celsius.


NWC012BK00/ NWC024BK00/ NWC034BK00/ NWC051BK00/ NWC051BK00







MODÈLES À DOUBLE ZONE:

NWC033BK00



5. Déverrouillez le panneau de commande en appuyant sur  pendant 2 secondes. Un bip vous avertit que le panneau a été déverrouillé. (Pour les modèles à Double Zone, appuyez une fois de plus pour sélectionner la zone supérieure ou inférieure.)

6. Réglez la température par incréments de 1 degré en appuyant sur les boutons ( et ) jusqu'à ce que la température désirée soit atteinte.
7. Pour basculer entre Fahrenheit et Celsius, appuyez sur  pendant 2 secondes.
8. Vous pouvez également allumer ou éteindre la lumière intérieure en appuyant sur le bouton (). Le voyant s'éteint automatiquement après 10 minutes.

DÉGIVRAGE DE VOTRE REFRIGÉRATEUR À VIN

La fonction de Dégivrage Automatique de l'appareil devrait empêcher l'accumulation de glace.

Toutefois, en cas d'accumulation de glace, procédez comme suit:

- Débranchez le réfrigérateur à vin
- Attendez que toute la glace fonde
- Une fois la glace complètement fondue, nettoyez l'eau du réfrigérateur à vin avec un chiffon sec
- Branchez et redémarrez le réfrigérateur à vin

TEMPÉRATURE RECOMMANDÉE

Modèle	Capacité De Rangement	Gamme De Température
NWC012BK00	12 Bouteilles Standard	5 à 18°C (41 à 64°F)
NWC016BK00	16 Bouteilles Standard	4 à 18°C (39 à 65°F)
NWC024BK00	24 Bouteilles Standard	5 à 18°C (41 à 64°F)
NWC034BK00	34 Bouteilles Standard	5 à 18°C (41 à 64°F)
NWC033BK00	33 Bouteilles Standard Double Zone	Zone Supérieure: 12 à 18°C (54 à 64°F) Zone Inférieure: 5 à 14°C (41 à 57°F)
NWC051BK00	51 Bouteilles Standard	5 à 18°C (41 à 64°F)
NWB051BK00	12 Bouteilles e 39 Canettes Standard	Zone Supérieure: 3 à 18°C (37 à 64°F) Zone Inférieure: 3 à 18°C (37 à 64°F)

	Fahrenheit	Celsius
Vins Rouges	57° à 65°	14° à 18°
Vins blancs, Champagnes et Vins Mousseux, et Cépages Secs	49° à 58°	9° à 14°
Vins Rosé	51° à 53°	10° à 11°

NETTOYAGE ET ENTRETIEN

NETTOYAGE DE VOTRE REFROIDISSEUR À VIN

POUR NETTOYER L'EXTÉRIEUR:

- Débranchez le Refroidisseur À Vin avant de nettoyer.
- N'utilisez pas de produits de nettoyage abrasifs.
- Lavez l'extérieur du boîtier uniquement à l'eau et au savon doux et rincez abondamment.
- Nettoyez la porte vitrée avec un nettoyant pour verre ou un savon doux et de l'eau et un chiffon doux.
- Essuyez le panneau de commande avec un chiffon humide et séchez soigneusement. Pour éviter d'endommager le panneau, n'utilisez pas de pulvérisateurs de nettoyage et ne le sursaturez pas avec de l'eau.

POUR NETTOYER L'INTÉRIEUR:

- Débranchez avant de nettoyer.
- N'utilisez pas de produits de nettoyage abrasifs.
- Nettoyage du joint de porte:
 - Utilisez un savon doux ou une solution de bicarbonate de soude
 - Rincez abondamment
 - Appliquez une fine couche de vaseline sur le joint côté charnière pour éviter qu'il ne colle

Utilisez une solution d'eau chaude et de bicarbonate de soude à l'intérieur de l'unité (environ une cuillère à soupe de bicarbonate de soude pour un litre d'eau) pour nettoyer et neutraliser les odeurs.

DÉPANNAGE

Problème	Causes Possibles Y Solution
Si l'unité ne fonctionne pas:	Vérifiez que l'alimentation électrique a la bonne tension. Vérifiez également qu'il n'y a pas de disjoncteur qui a été déclenché ou de fusible grillé.
Si l'unité ne refroidit pas assez:	Assurez-vous que les réglages de température sont correctement ajustés. Si c'est le cas, la pièce dans laquelle l'appareil fonctionne pourrait être trop chaude. Vérifiez également si la porte a été ouverte trop souvent ou n'a pas été complètement fermée. Vérifiez le joint sur la porte pour vous assurer qu'il est intact. Assurez-vous que l'unité dispose d'un dégagement suffisant de tous les côtés.
Si l'appareil vibre ou fait un bruit excessif:	Assurez-vous que l'appareil a été placé sur une surface plane et stable. Vérifiez également que le ventilateur fonctionne correctement.
Si l'affichage DEL ne fonctionne pas ou affiche un message d'erreur:	Vérifiez si l'appareil est correctement branché. Si oui, il peut y avoir un problème avec la carte de circuit principal qui exige un entretien professionnel.
Si les boutons ne fonctionnent pas:	Le panneau de commande peut être endommagé.

GARANTIE LIMITÉE DU FABRICANT

Cet appareil est couvert par la garantie limitée du fabricant. Pour une période d'un an à compter de la date d'achat, le fabricant réparera ou remplacera les pièces de cet appareil qui s'avèreraient défectueuses en raison de vices de matériaux ou de main-d'œuvre, pourvu que l'appareil ait été utilisé dans des conditions normales recommandées par le fabricant.

Conditions de la garantie :

Au cours de la première année, toutes les composantes de l'appareil défectueuses en raison d'un vice de matière ou de fabrication seront réparées ou remplacées gratuitement, à la discrétion du fabricant. L'acheteur devra assumer les frais de déplacement ou de transport.

Exclusions de la garantie :

La garantie ne s'applique pas si des dommages sont survenus pour les raisons suivantes :

- Panne de courant
- Dommages pendant le transport ou le déplacement de l'appareil
- Une mauvaise alimentation en courant comme une basse tension, un câblage défectueux ou des fusibles inadaptés
- Un incident, une altération, une mauvaise utilisation ou un abus de l'usage de l'appareil comme l'utilisation d'accessoires non agréés, une circulation d'air insuffisante dans la pièce ou des conditions d'utilisation anormales (températures extrêmes)
- Utilisation dans des applications commerciales ou industrielles
- Incendie, dégâts d'eau, vol, guerre, émeute, hostilité ou catastrophes naturelles comme les ouragans, inondations, etc.
- Utilisation de la force ou dommages causés par des influences extérieures
- Appareils partiellement ou complètement désassemblés
- Usure excessive par l'utilisateur

Pour obtenir des services :

Pour invoquer la garantie, veuillez avoir la facture d'achat originale indiquant la date d'achat. Après avoir reçu la confirmation que votre appareil est admissible à la garantie, toutes les réparations doivent être effectuées par un atelier de réparation Newair™ agréé. L'acheteur devra assumer les frais de déplacement ou de transport. Les pièces ou appareils de remplacement seront à l'état neuf, reconditionnés ou remis à neuf et sont assujettis à la discrétion du fabricant. Pour obtenir un soutien technique et un service sous garantie, veuillez envoyer un courriel à support@newair.com

Un Nombre en el que Puedes Confiar

La confianza debe ganarse y nosotros nos ganaremos la suya. La felicidad del cliente es el centro de nuestro negocio.

Desde la fábrica hasta el almacén, desde el piso de ventas hasta su hogar, toda la familia Newair se compromete a brindar productos innovadores, un servicio excepcional y asistencia cuando más lo necesite.

Cuenta con Newair

Como orgulloso propietario de Newair, bienvenido a nuestra familia. Aquí no hay robots, personas reales enviaron su producto y personas reales están aquí para ayudarlo.

Contáctenos

Por favor contacte a nuestro equipo de atención a clientes antes de realizar una devolución de producto. Estaremos felices de poder ayudar con cualquier pregunta o duda.

Lun-Vie de 8-4 (Hora del Pacífico)

Llame: 1-855-963-9247
Email: support@newair.com
En Línea: www.newair.com

Un miembro de nuestro equipo le responderá dentro de un lapso de 24 hrs.

Síguenos:



Facebook.com/newairusa



Instagram.com/newairusa



YouTube.com/newairusa



Twitter.com/newairusa

LEA Y GUARDE ESTAS INSTRUCCIONES.

INDICE

Especificaciones Técnicas	42
Registre su producto en línea	44
Advertencias e información de seguridad	45
Lista De Piezas.....	48
Características De Su Enfriador De Vino.....	52
Operating Instructions	53
Panel De Control	53
Descongelación De Su Enfriador De Vino	54
Temperatura Recomendada	54
Limpieza Y Mantenimiento	55
Limpieza De Su Enfriador De Vino	56
Problemas Comunes De Uso.....	57
Garantía del fabricante	58

ESPECIFICACIONES TÉCNICAS

NUM.DEMODELO	NWC012BK00
FUENTE DE PODER:	115V 60Hz
POTENCIA NOMINAL:	95W
DIMENSIONES DE LA UNIDAD (ANCHO X PROFUNDIDAD X ALTO):	9.9 x 17.7 x 31.2 in.
PESO NETO:	38.3 Lbs.

NUM.DEMODELO	NWC016BK00
FUENTE DE PODER:	115V 60Hz
POTENCIA NOMINAL:	85W
DIMENSIONES DE LA UNIDAD (ANCHO X PROFUNDIDAD X ALTO):	16.93 x 18.9 x 20.28 in.
PESO NETO:	37.2 lbs.

NUM.DEMODELO	NWC024BK00
FUENTE DE PODER:	115V 60Hz
POTENCIA NOMINAL:	95W
DIMENSIONES DE LA UNIDAD (ANCHO X PROFUNDIDAD X ALTO):	16.9 x 17.7 x 29.1 in.
PESO NETO:	48.5 Lbs.

NUM.DEMODELO	NWC034BK00
FUENTE DE PODER:	115V 60Hz
POTENCIA NOMINAL:	95W
DIMENSIONES DE LA UNIDAD (ANCHO X PROFUNDIDAD X ALTO):	18.7 x 17.3 x 33.1 in.
PESO NETO:	58.5 Lbs.

NUM.DEMODELO	NWC051BK00
FUENTE DE PODER:	115V 60Hz
POTENCIA NOMINAL:	90W
DIMENSIONES DE LA UNIDAD (ANCHO X PROFUNDIDAD X ALTO):	19.5 x 22.2 x 33.4 in.
PESO NETO:	66.5 Lbs.

NUM.DEMODELO	NWC033BK00
FUENTE DE PODER:	115V 60Hz
POTENCIA NOMINAL:	95W
DIMENSIONES DE LA UNIDAD (ANCHO X PROFUNDIDAD X ALTO):	19.5 x 16.9 x 33.4 in.
PESO NETO:	61.5 Lbs.

NUM.DEMODELO	NWB051BKD0
FUENTE DE PODER:	115V 60Hz
POTENCIA NOMINAL:	95W
DIMENSIONES DE LA UNIDAD (ANCHO X PROFUNDIDAD X ALTO):	20 x 19.3 x 31.4 in.
PESO NETO:	69.4 Lbs.

REGISTRE SU PRODUCTO EN LÍNEA

¡Registre su producto Newair en línea hoy!

Aproveche todos los beneficios que ofrece el registro de productos:



Servicio y soporte

Diagnostique y resuelva problemas de servicio de forma más rápida y precisa



Notificaciones

Manténgase actualizado sobre seguridad y actualizaciones del sistema por medio de notificaciones



Promociones especiales

Inscríbese para recibir promociones y ofertas de Newair

Registrar la información de tu producto en línea de forma segura y en menos de 2 minutos:

newair.com/register

Le recomendamos que adjunte una copia de su recibo de compra a continuación y registre la siguiente información, que se encuentra en la placa de identificación del fabricante en la parte posterior de la unidad. Necesitará esta información si es necesario ponerse en contacto con el fabricante para consultas de servicio.

Fecha de Compra: _____

Número de Serie: _____

Número del modelo: _____

ADVERTENCIAS E INFORMACIÓN DE SEGURIDAD



Your safety and the safety of others are very important to us.

We have provided many important safety messages in this manual and on your appliance. Always read and obey all safety messages.

ADVERTENCIA:

- Lea todas las instrucciones cuidadosamente antes de intentar operar su refrigerador para vinos. El uso inadecuado podría provocar lesiones o baja la eficacia del aparato.
- Retire todo el empaque antes de usar este dispositivo. Mantenga todos los materiales del empaque fuera del alcance de los niños y las mascotas.
- Deseche adecuadamente todos los materiales de empaque inmediatamente después de desempacar el producto, ya que las bolsas utilizadas para empacar podrían presentar un riesgo de asfixia.
- Este producto contiene piezas pequeñas que pueden representar un riesgo de asfixia para niños menores de 3 años. Mantenga a los niños alejados del refrigerador durante el proceso de instalación y no permita que los niños se acerquen al refrigerador sin supervisión.
- Nunca permita que los niños operen, jueguen o gateen dentro del refrigerador de vinos.
- Este refrigerador para vinos no está diseñado para que lo usen personas (incluidos los niños) con capacidades físicas, sensoriales o mentales limitadas, o falta de experiencia y conocimiento, a menos que hayan recibido supervisión o instrucciones sobre el uso del aparato por parte de una persona responsable de su seguridad.
- No intente reparar o reemplazar ninguna pieza o dar servicio a esta unidad a menos que se recomiende específicamente en esta Guía de Usuario. Si el cable de alimentación está dañado, debe ser reemplazado por el fabricante, un agente de servicio o una persona calificada similar para evitar un peligro.
- Al colocar su refrigerador para vinos, asegúrese de que el cable de alimentación no esté obstruido por otros objetos, enredado o dañado. Si sospecha que el cable de alimentación está dañado, comuníquese con el fabricante de inmediato y no intente repararlo usted mismo.
- Úselo sólo con un tomacorriente estándar de 115 V 60 Hz debidamente conectado a tierra para evitar el riesgo de descarga eléctrica. No lo use con un cable de extensión.
- Deje un espacio de al menos 6" en la parte posterior de la unidad y 10" en ambos lados para asegurarse de que el refrigerador para vinos tenga suficiente ventilación para evitar el sobrecalentamiento.

- No utilice herramientas mecánicas o eléctricas para acelerar el proceso de descongelación, distintas a las recomendadas por el fabricante.
- No dañe el circuito del refrigerante.
- No almacene sustancias explosivas como latas de aerosol con un propulsor inflamable en este refrigerador de vinos.
- Este refrigerador para vinos está diseñado para usarse en su hogar, sin embargo, también se puede usar en las siguientes aplicaciones:
 - áreas de cocina para el personal en tiendas, oficinas y otros entornos de trabajo;
 - casas de campo y por clientes en hoteles, moteles y otros entornos comerciales;
 - ambientes tipo rentas bed and breakfast (B&B);
 - abastecimientos y negocios no minoristas similares.
- Siga estas técnicas de almacenamiento adecuadas para evitar que los alimentos y las bebidas se deterioren prematuramente:
 - Mantener la puerta cerrada. Abrir la puerta durante mucho tiempo puede provocar un aumento significativo de la temperatura del refrigerador.
 - Limpie las superficies interiores y exteriores con regularidad, especialmente las áreas que puedan entrar en contacto directo con alimentos y bebidas almacenados.
 - Siga este protocolo si su vinoteca se ha dejado encendida y vacía durante un período prolongado: apague, descongele, limpie, seque y deje la puerta abierta para evitar que se forme moho dentro del refrigerador.
- Este refrigerador contiene refrigerante inflamable R600a y ciclopentano como agente espumoso. Tenga en cuenta lo siguiente:
 - Evite cualquier contacto con el fuego cuando transporte o utilice el refrigerador de vinos.
 - Pídale a un profesional que le dé servicio a la vinoteca cuando necesite arreglarla.
 - Envíe el refrigerador de vinos a la estación de eliminación local designada si necesita desecharla.

NOTAS IMPORTANTES DE CONFIGURACIÓN

- Antes de conectar su refrigerador de vino, colóquelo en posición vertical por al menos 3 horas.
- Colóquelo solo en una superficie nivelada que pueda soportar todo el peso del refrigerador una vez que se haya llenado por completo. Puede

asegurarse de que la unidad esté nivelada colocando una pequeña bola en la parte superior y verificando que no ruede en ninguna dirección.

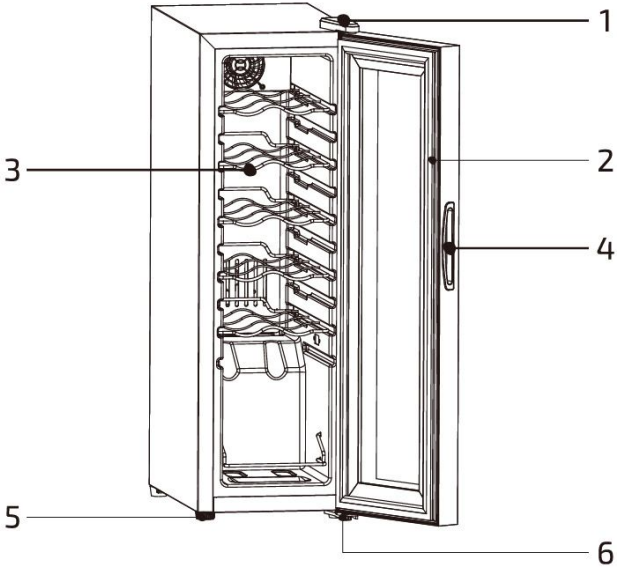
- Colóquelo en un espacio seco y bien ventilado con temperaturas entre 41°F y 90°F (5°C y 32°C).
- Deje un espacio de al menos 6" en la parte posterior de la unidad y 10" en ambos lados.
- No coloque ningún objeto arriba de la unidad
- No use sin instalar pies: la unidad requiere de 2" de distancia con el suelo.

ADVERTENCIA: Riesgo de que niños queden atrapados. Antes de desechar su viejo refrigerador de vino, favor de seguir estos pasos:

- Remueva las puertas.
- Deje los estantes en su lugar para que los niños no puedan meterse fácilmente.
- Asegúrese de dejar al menos 50 mm de espacio en la parte posterior y en cada lado.

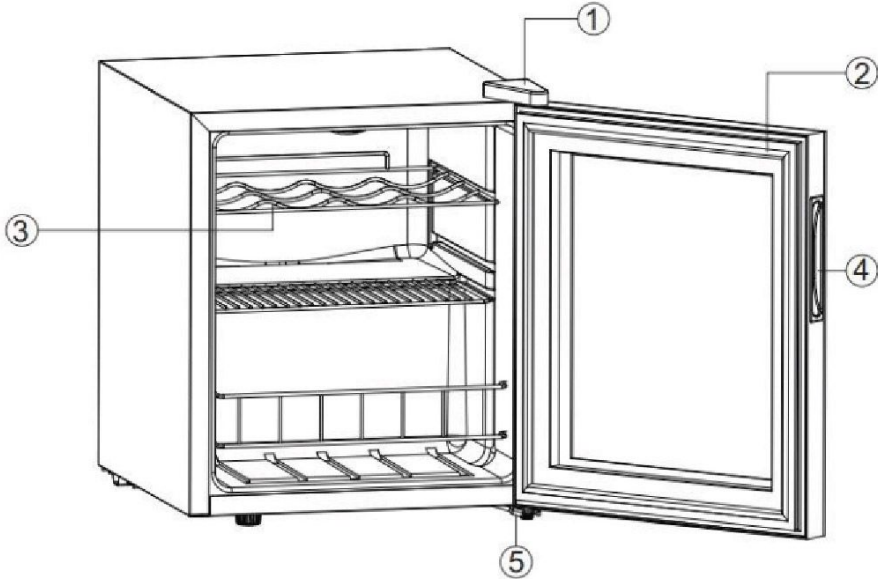
LISTA DE PIEZAS

NWC012BK00



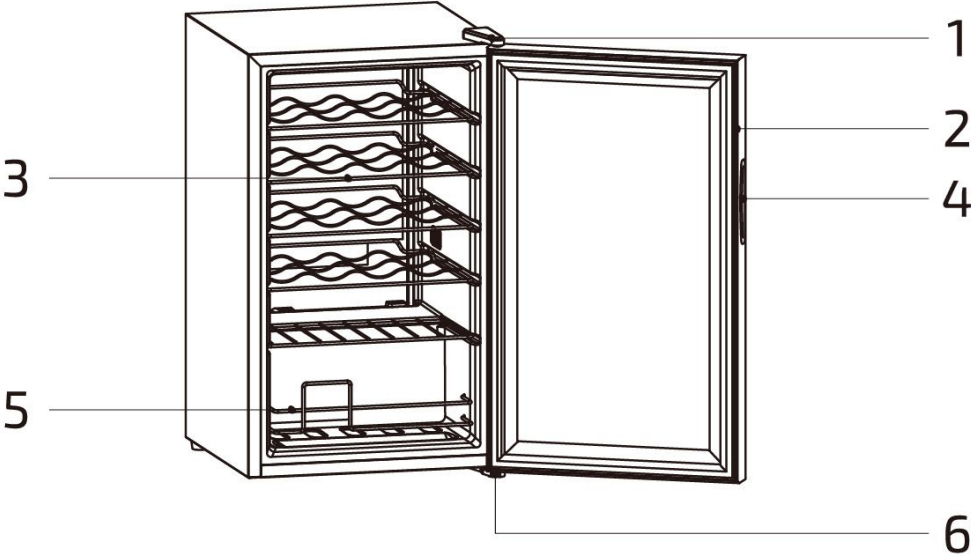
- 1. Upper Hinge
- 2. Door Gasket
- 3. Shelves
- 4. Door Handle
- 5. Adjust Foot
- 6. Bottom Hinge

NWC016BK00



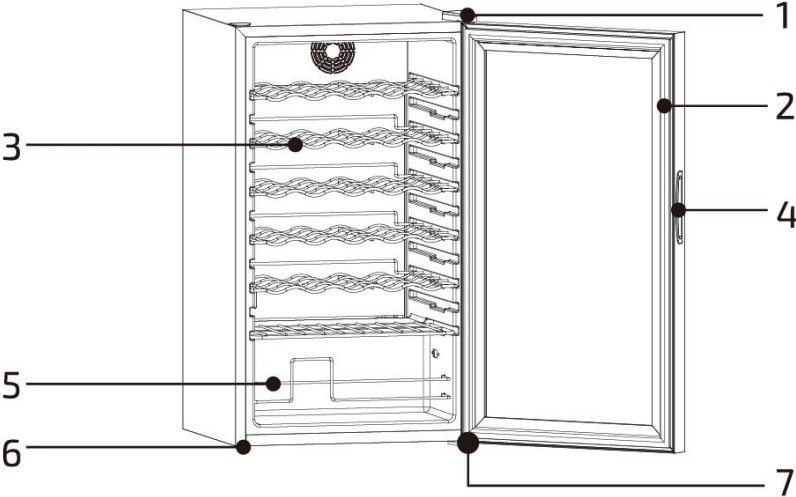
- 1. Upper Hinge
- 2. Door Gasket
- 3. Shelves
- 4. Door Handle
- 5. Bottom Hinge

NWC024BK00



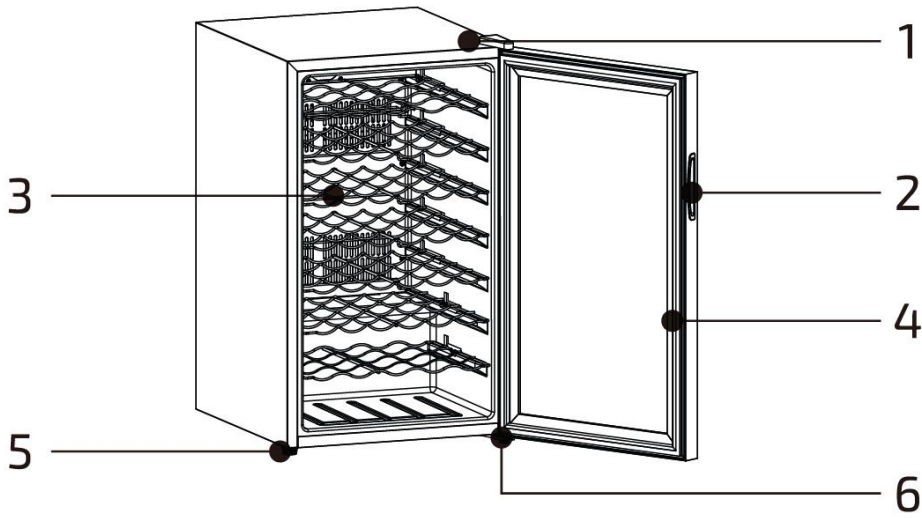
- 1. Upper Hinge
- 2. Door Gasket
- 3. Shelves
- 4. Door Handle
- 5. Display Shelves
- 6. Bottom Hinge

NWC034BK00



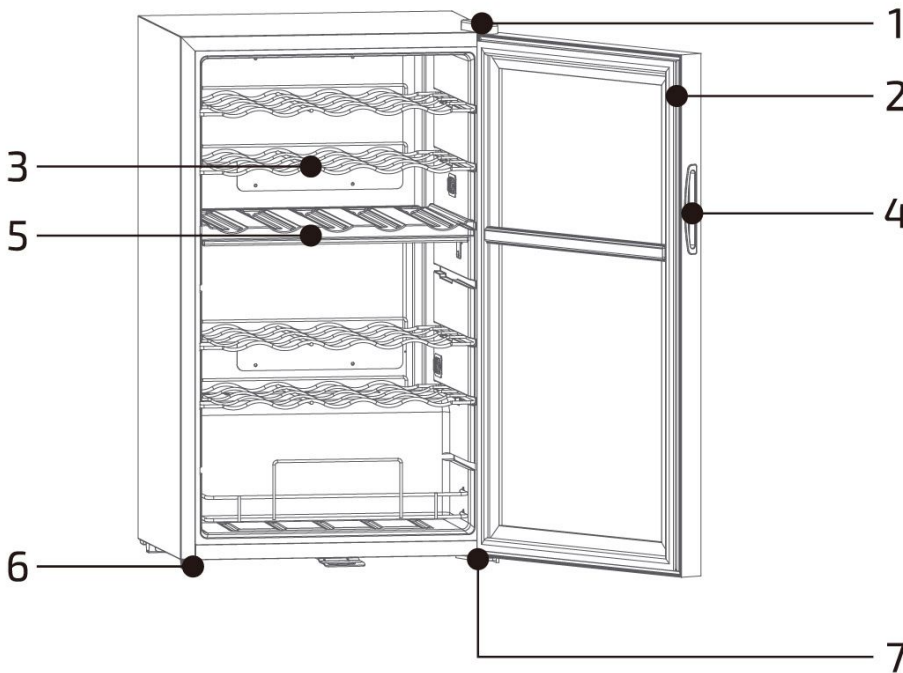
- 1. Upper Hinge
- 2. Door Gasket
- 3. Shelves
- 4. Door Handle
- 5. Display Shelf
- 6. Adjust Foot
- 7. Bottom Hinge

NWC051BK00



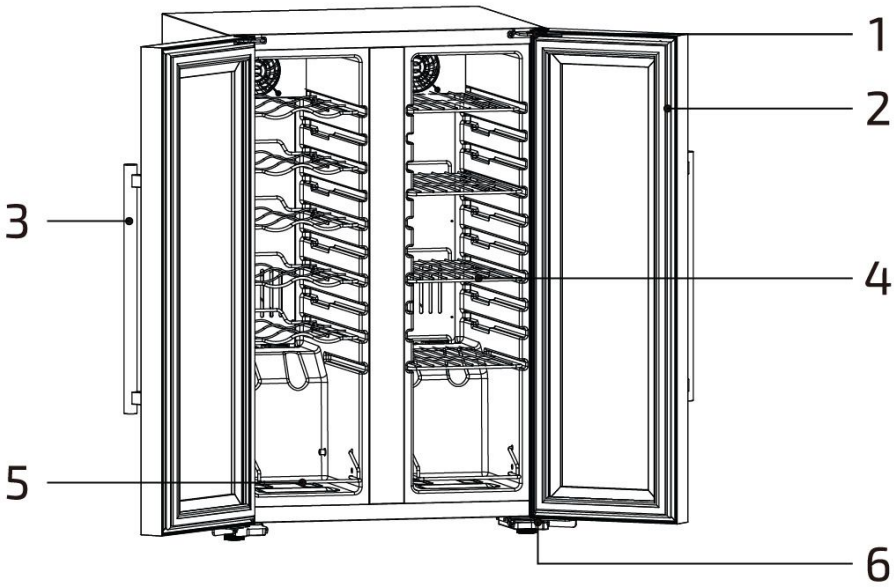
- 1. Upper Hinge
- 2. Door Handle
- 3. Shelves
- 4. Door Gasket
- 5. Adjust Foot
- 6. Bottom Hinge

NWC033BKD0



- 1. Upper Hinge
- 2. Door Gasket
- 3. Shelves
- 4. Door Handle
- 5. Partitions
- 6. Foot
- 7. Bottom Hinge

NWB051BKDO



- 1. Upper Hinge
- 2. Door Gasket
- 3. Door Handle
- 4. Shelves
- 5. Display Shelves
- 6. Bottom Hinge

CARACTERÍSTICAS DE SU ENFRIADOR DE VINO

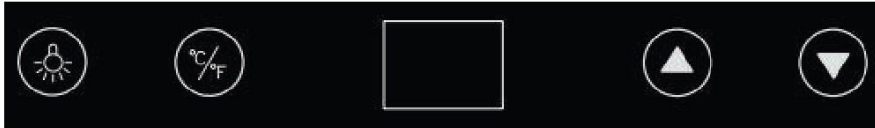
- Mantiene los vinos tintos y/o blancos a su temperatura adecuada
- Controles de un toque y pantalla LCD
- Iluminación interior con control independiente de encendido/apagado
- Celsius o Fahrenheit, ajustable en incrementos de un grado
- Los estantes cromados son fáciles de sacar
- Bloqueo automático de paneles
- La puerta de cristal ahumado templado protege los vinos de los rayos UV
- Exterior de metal negro
- Aislamiento de espuma de poliuretano sólido sin CFC

INSTRUCCIONES DE OPERACIÓN

PANEL DE CONTROL

MODELOS DE UNA ZONA:

NWC016BK00



1. Après avoir allumé le réfrigérateur, l'écran DEL affichera d'abord la température ambiante, puis la température interne de l'armoire.
2. Appuyez sur le bouton "lumière" pour allumer et éteindre l'éclairage intérieur. Utilisez les flèches haut et bas pour régler la température. La température intérieure peut être ajustée par incréments de 1 degré entre 39°F et 65°F.
3. Après avoir réglé la température désirée, cette température réglée clignote pendant 5 secondes sur l'affichage, puis revient à l'affichage de la température interne actuelle.
4. Sélectionnez le réglage d'affichage de la température pour afficher en Fahrenheit ou Celsius.


NWC012BK00/ NWC024BK00/ NWC034BK00/ NWC051BK00/ NWC051BK00







MODELOS DE DOBLE ZONA:

NWC033BK00



5. Desbloquee el panel de control presionando durante  2 segundos. Un pitido le avisará que el panel se ha desbloqueado. (Para los modelos de doble zona, presione una vez más para seleccionar la zona superior o la inferior).

6. Ajuste la temperatura en incrementos de 1 grado presionando las teclas ( y ) hasta alcanzar la temperatura deseada.
7. Para cambiar entre Fahrenheit y Celsius, presione el botón  por 2 segundos.
8. También puede encender o apagar la luz interior presionando el botón (). La luz se apagará automáticamente después de 10 minutos.

DESCONGELACIÓN DE SU ENFRIADOR DE VINO

La función de descongelación automática de la unidad debe evitar que se acumule hielo.

Sin embargo, en caso de acumulación de hielo, haga lo siguiente:

- Desconecte la unidad
- Espere a que el hielo se haya derretido
- Una vez que el hielo se haya derretido por completo, limpie el agua de la unidad con un paño seco.
- Vuelva a conectar la unidad y encienda.

TEMPERATURA RECOMENDADA

Módelo	Capacidad de Almacenamiento	Rango de Temperatura
NWC012BK00	12 Botellas Estándar	41-64°F (5-18°C)
NWC016BK00	16 Botellas Estándar	39-65°F (4-18°C)
NWC024BK00	24 Botellas Estándar	41-64°F (5-18°C)
NWC034BK00	34 Botellas Estándar	41-64°F (5-18°C)
NWC033BKDO	33 Botellas Estándar Doble Zona	Zona Superior: 54-64°F (12-18°C) Zona Inferior: 41-57°F (5-14°C)
NWC051BK00	51 Botellas Estándar	41-64°F (5-18°C)
NWB051BKDO	12 Botellas y 39 Latas Estándar	Zona Superior: 37-64°F (3-18°C) Lower Zone: 37-64°F (3-18°C)

	Fahrenheit	Celsius
--	-------------------	----------------

Vino Rojo	57° - 65°	14° - 18°
Vinos Blancos, Champañas, Vinos Espumosos, y Varietales Secos	49° - 58°	9° - 14°
Vinos Rosados	51° - 53°	10° - 11°

LIMPIEZA Y MANTENIMIENTO

LIMPIEZA DE SU ENFRIADOR DE VINO

PARA LIMPIAR EL EXTERIOR:

- Desconecte el enfriador de vinos antes de limpiarlo.
- No utilice productos de limpieza abrasivos.
- Lave el exterior del gabinete solo con agua y jabón suave y enjuague bien.
- Limpie la puerta de cristal con limpiador de vidrio o jabón suave, agua y un paño suave.
- Limpie el panel de control con un paño húmedo y séquelo bien. Para evitar dañar el panel, no use aerosoles de limpieza ni lo sature demasiado con agua.

PARA LIMPIAR EL INTERIOR:

- Desconecte el enfriador de vinos antes de limpiarlo.
- No utilice productos de limpieza abrasivos.
- Limpieza de la junta de la puerta:
 - Use una solución de jabón suave o bicarbonato de sodio
 - Enjuague bien.
 - Aplique una fina capa de vaselina a la junta del lado de la bisagra para evitar que se pegue

Use una solución de agua tibia y bicarbonato de sodio dentro de la unidad (aproximadamente una cucharada de bicarbonato de sodio en un litro de agua) para limpiar y neutralizar los olores.

SOLUCIÓN DE PROBLEMAS

Problema	Posibles Causas y Solución
Si la unidad no funciona:	Verifique que la fuente de alimentación tenga el voltaje correcto. También verifique que no haya un disyuntor que se haya disparado o un fusible quemado.
Si la unidad no se enfría lo suficiente:	Asegúrese de que los ajustes de temperatura estén ajustados correctamente. Si es así, la habitación en la que está funcionando la unidad podría estar demasiado caliente. Compruebe también si la puerta se ha abierto con demasiada frecuencia o no se ha cerrado por completo. Verifique el trato en la puerta para asegurarse de que esté intacto. Asegúrese de que la unidad tenga suficiente espacio libre en todos los lados.
Si la unidad vibra o hace un ruido excesivo:	Asegúrese de que la unidad se haya colocado sobre una superficie nivelada y estable. También verifique que el ventilador funcione correctamente.
Si la pantalla LED no funciona o muestra un mensaje de error:	Verifique si la unidad está enchufada correctamente. Si es así, puede haber un problema con la placa de circuito principal que requiere servicio profesional.
Si los botones no funcionan:	El panel de control puede estar dañado.

GARANTIA DEL FABRICANTE

Este aparato está cubierto por una garantía limitada del fabricante. Durante un año a partir de la fecha original de compra, el fabricante reparará o reemplazará cualquier pieza de este electrodoméstico que demuestre tener defectos de materiales y mano de obra, siempre que el electrodoméstico se haya utilizado en las condiciones de funcionamiento normales previstas por el fabricante.

Términos de garantía:

Durante el primer año, cualquier componente de este electrodoméstico que se encuentre defectuoso debido a los materiales o la mano de obra será reparado o reemplazado, a discreción del fabricante, sin cargo para el comprador original. El comprador será responsable de los gastos de traslado o transporte.

Exclusiones de garantía:

La garantía no se aplicará si el daño es causado por cualquiera de los siguientes:

- Fallo de alimentación
- Daños durante el transporte o al mover el aparato
- Suministro de energía inadecuado, como bajo voltaje, cableado doméstico defectuoso o fusibles inadecuados
- Accidente, alteración, mal uso o abuso del aparato como el uso de accesorios no aprobados, circulación de aire inadecuada en la habitación o condiciones de funcionamiento anormales (temperaturas extremas)
- Uso en aplicaciones comerciales o industriales
- Incendio, daños por agua, robo, guerra, disturbios, hostilidad o casos fortuitos como huracanes, inundaciones, etc.
- Uso de fuerza o daño causado por influencias externas
- Aparatos parcial o totalmente desmontados
- Exceso de desgaste por parte del usuario

Obtención del servicio:

Cuando haga un reclamo de garantía, tenga disponible la factura de compra original con la fecha de compra. Una vez confirmado que su electrodoméstico es elegible para el servicio de garantía, todas las reparaciones serán realizadas por un centro de reparación autorizado de Newair™. El comprador será responsable de los gastos de traslado o transporte. Las piezas y / o unidades de reemplazo serán nuevas, refabricadas o reacondicionadas y están sujetas a la discreción del fabricante. Para soporte técnico y servicio de garantía, envíe un correo electrónico a support@newairusa.com.