

33 Bottle Freestanding Compressor Wine Cooler



OWNERS MANUAL

Read and save these instructions.

A Name You Can Trust

Trust should be earned and we will earn yours. Customer happiness is the focus of our business.

From the factory to the warehouse, from the sales floor to your home, the whole NewAir family promises to provide you with innovative products, exceptional service, and support when you need it the most.

Count on NewAir.

As a proud NewAir owner, welcome to our family. There are no robots here, real people shipped your product and real people are here to help you.

Contact Us:

For questions regarding your product, please contact us at:

Call: 1-855-963-9247
Email: support@newair.com
Online: www.newair.com

Connect with Us:



[Facebook.com/newairusa](https://www.facebook.com/newairusa)



[Instagram.com/newairusa](https://www.instagram.com/newairusa)



[YouTube.com/newairusa](https://www.youtube.com/newairusa)



[Twitter.com/newairusa](https://www.twitter.com/newairusa)

READ AND SAVE THESE INSTRUCTIONS.

TABLE OF CONTENTS

Register Your Product Online.....	4
Safety Information & Warnings	5
Parts List.....	6
Assembly & Installation	7
Operating Instructions	9
Cleaning & Maintenance.....	11
Wine Storage Guide	12
Troubleshooting.....	13
Limited Manufacturer's Warranty	15

SPECIFICATIONS

MODEL NO.	AWC-330E
VOLTAGE:	120V
CURRENT:	1.3A
FREQUENCY:	60Hz
POWER CONSUMPTION:	85W
BOTTLE CAPACITY:	27 Bottles
TEMPERATURE RANGE:	39°F - 64°F
REFRIGERANT:	R600a

REGISTER YOUR PRODUCT ONLINE

Register Your NewAir Product Online Today!

Take advantage of all the benefits product registration has to offer:



Service and Support

Diagnose troubleshooting and service issues faster and more accurately



Recall Notifications

Stay up to date for safety, system updates and recall notifications



Special Promotions

Opt-in for NewAir promotions and offers

Registering your product information online is safe & secure and takes less than 2 minutes to complete:

Register.NewAir.com

Alternatively, we recommend you attach a copy of your sales receipt below and record the following information, located on the manufacturer's nameplate on the rear of the unit. You will need this information if it becomes necessary to contact the manufacturer for service inquiries.

Date of Purchase: _____

Serial Number: _____

Model Number: _____

SAFETY INFORMATION & WARNINGS



When using any electrical appliance, basic safety precautions must be followed in order to reduce the risk of fire, electrical shock and/or injury to persons or property. Be sure to read all instructions before using this appliance and observe the following safety tips:

Attention: To prevent the risk of child entrapment, do not allow children to operate, play with, or crawl inside the unit. If the unit will not be used for an extended period of time, remove the door and leave the shelves in place so that children cannot crawl inside. Also remove the door when disposing of the unit.



Shock Hazard – Electrical Grounding Required

- Never attempt to repair or perform maintenance on the unit until the electricity has been disconnected.
- Never remove the round grounding prong from the plug and never use a two-prong grounding adaptor.
- Altering or cutting of power cord, removal of power cord, removal of power plug, or direct wiring can cause serious injury, fire, and loss of property and/or life, and will void the warranty.
- Never use an extension cord to connect power to the unit.
- Avoid operating this wine cooler in excessively moist or humid environments.



Important Precautions:

- Do not lift unit by door handle.
- Never install or operate the unit inside cabinets or without proper clearances.
- Failure to clean the condenser every six months can cause the unit to malfunction.
- Allow unit to temperature to stabilize for 24 hours before use.
- Do not block any internal fans.
- Keep the wine cooler away from hazardous materials or combustible/flammable substances.
- Use only genuine supplier's replacement parts. Imitation parts can damage the unit, affect its operation or performance, and may void the warranty.

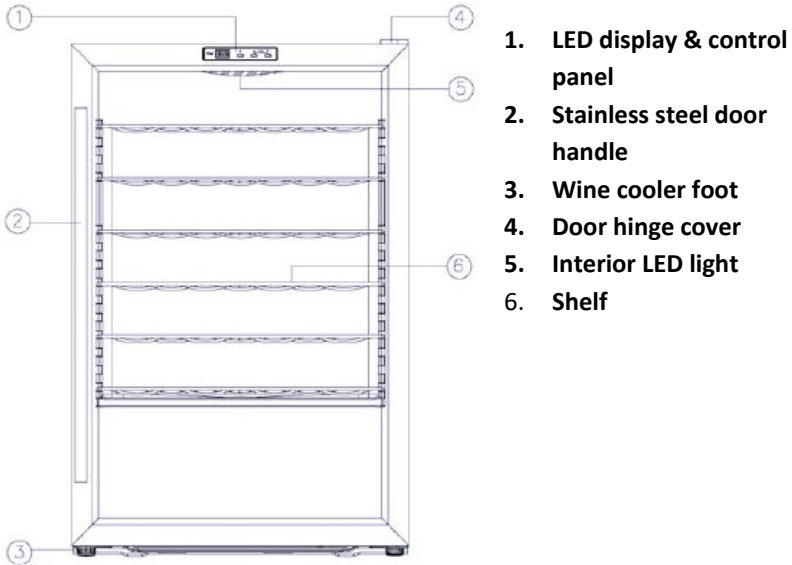
PARTS LIST

When you receive your unit, carefully remove the exterior and interior packaging. It is recommended that you retain the packaging for future use.

Check to make sure the following parts are included:

- 6 Shelves
- 1 door handle and 2 screws with locking washers and flat washers
- 1 instruction manual

PARTS DIAGRAM



ASSEMBLY & INSTALLATION

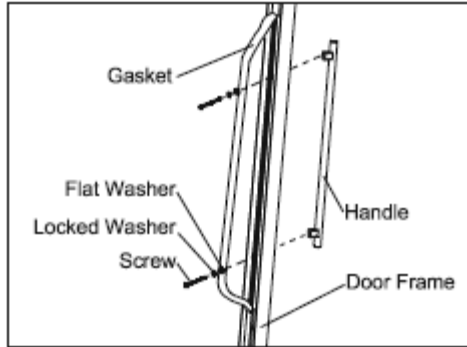
HANDLE ASSEMBLY

Tools Required for Assembly:

Phillips screwdriver (not included)

Estimated Assembly Time: 5 minutes

Before installation, attach the handle to the front of the unit with the included screws and washers. It may be necessary to push aside the rubber seal on the inside of the door to reveal the screw holes.



Caution: Avoid over-tightening the screws, or you may cause damage to the unit.

INSTALLATION



Before connecting the appliance to a power source, let it stand upright for approximately 2 hours. This will reduce the possibility of a malfunction in the cooling system from handling during transportation.

This wine cooler is a freestanding unit and should not be built in-to surrounding cabinetry. Allow for proper air clearance around the wine cooler. The recommended clearances are as follows:

Sides: $\frac{3}{4}$ " (19 mm)

Top: 4" (100 mm)

Back: 2" (50 mm)

Before operating your wine cooler for the first time, follow these steps:

- Clean the interior surface of the unit with lukewarm water and a soft cloth.
- Place the cooler on a level surface that will be strong enough to support the unit when it is fully loaded. To level your cooler, adjust the front feet located at the bottom of the unit.

- Install the cooler away from direct sunlight and heat sources such as stoves, heaters, or radiators. Direct sunlight may affect the unit's acrylic coating, and nearby heat sources can increase electrical consumption. Extreme cold or hot ambient temperatures may also prevent proper performance.
- Once the cooler is plugged in, let the wine cooler run for at least 30 minutes. Do not change the temperature or adjust any settings at this time.

OPERATING INSTRUCTIONS

HOW TO USE THE BUTTONS ON THE DISPLAY PANEL



Turn the light on and off.



Raise the desired temperature. *



Lower the desired temperature. *

* The interior temperature of the upper zone can be adjusted in increments of 1 degree between 39°F and 64°F (4° - 18C).

To change the temperature readout to either Fahrenheit or Celsius, simultaneously press and hold the UP and DOWN buttons for at least 3 seconds.

After turning on the wine cooler, the LED display will show the ambient temperature first, and then the internal cabinet temperature.

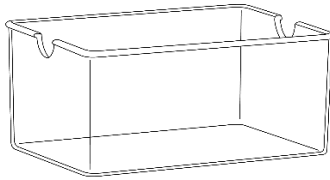
After you set the desired temperature, this set temperature will flash for 5 seconds on the display and then revert back to the internal cabinet temperature.

OPTIMIZING PERFORMANCE

- To ensure maximum performance and efficiency, be sure to place your wine cooler in an area where there is proper air circulation. (See Installation instructions above for proper clearances.)
- For proper internal air circulation, do not overfill your wine cooler.
- Do not place the unit in direct sunlight.
- Do not place heated beverages in your wine cooler.
- Do not store perishable food in your wine cooler. The unit's interior temperature may not be low enough to prevent spoilage.
- Do not place heavy objects on top of the wine cooler.

HOW TO USE YOUR MOISTURE TRAY

Your unit comes with a small water tray to help moisturize corks and or wooden shelves so they don't dry out. Fill the tray halfway and place it on the middle shelf— horizontally and towards the back —so moisture is evenly distributed throughout the inside of the cabinet. Refill the tray when it is a quarter of the way empty and exercise caution when removing or restocking bottles so water does not spill out.



CLEANING & MAINTENANCE

CLEANING YOUR FRIDGE

To clean your cooler:

- Unplug the cooler and remove anything inside.
- Wash the inside of the unit with a solution made of warm water and neutral detergent. Do not use abrasive cleaners.
- Use mild, soapy water to clean the unit's door seal.
- To ensure efficient operation, also thoroughly clean the back and bottom of the wine cooler.
- To clean the outside of the unit, use a mild detergent and warm water.

DEFROSTING YOUR FRIDGE

This wine cooler is equipped with an auto-defrost function that will eliminate the need to defrost the unit manually under most circumstances. If you notice an excess of frost buildup inside the unit, take these steps to remove it:

1. Unplug the wine cooler.
2. Allow frost to melt from the inside of the cooler.
3. Dry thoroughly before plugging it in again.

MOVING YOUR FRIDGE

To move your cooler:

- Remove anything stored inside.
- Securely tape down all loose parts located inside the unit.
- Turn the leveling feet up to the base in order to avoid damage.
- Tape the door shut.
- Be sure the cooler stays in an upright position during transportation.

WINE STORAGE GUIDE

- The ideal temperature for storing red or white wines is 55°F, with humidity between 60% and 75% RH.
- Store corked bottles on their sides, to keep the cork from drying out and allowing air into the bottle.
- UV rays make wine age faster, so keep bottles out of direct sunlight.
- Avoid heavy vibrations from motors, etc.
- Store wine separately from strong odors that might contaminate the flavor of the wine.

HOW LONG SHOULD I STORE MY WINE?

While most wines today are meant to be drunk “young” (within a few years of production) some fine wines are best served by proper aging. But aging too long can decrease the flavor of the wine. Generally speaking, red wines can age longer than white wines, but here is a storage guide for some popular vintages.

Cabernet Sauvignon.....	7-10 years
Pinot Noir.....	5 years
Merlot.....	3-5 years
Zinfandel.....	2-5 years
Beaujolais.....	Drink now
Chardonnay.....	2-3 years
Riesling.....	3-5 years
Sauvignon Blanc.....	18 months – 2 years
Pinot Gris.....	1-2 years
Champagne	Ready to drink

TROUBLESHOOTING

Problem	Possible Causes	Solution
Wine cooler does not cool.	The unit may be plugged in using a different voltage.	Check if using the wrong voltage.
	The circuit breaker may be tripped or there is a blown fuse.	Reset the circuit breaker or check for a broken fuse
Wine cellar is not cold enough.	The external environment may require a higher setting.	Lower the temperature of the cooler.
	The wine cooler may be placed too close to a heat source.	Keep the wine cooler away from direct sunlight or other heat sources.
	There is insufficient ventilation.	Place the wine cooler in an area with proper ventilation and clearances.
	The door is not completely closed or the door seal is not working properly.	Close the door tightly. Do not open the door frequently and do not keep the door open for extended periods of time. Replace the seal on the door if necessary.
The wine cooler seems to make too much noise.	The unit is not leveled.	Adjust the unit's feet and ensure the product is level.
	There is insufficient ventilation. The unit is too close to a wall or another surface.	Allow sufficient clearance around the unit.
An interior red light is flashing.	The set temperature is too low.	Adjust the set temperature so that it is higher than the wine cooler's interior temperature.
	The automatic defrost function is working.	Normal function. No repair needed.

Problem	Possible Causes	Solution
Frost is building up in the unit.	There is excess humidity or the interior temperature is too low.	Turn off the wine cooler, unplug it, and remove the frost buildup manually. Reconnect the power once the ice has thawed.

LIMITED MANUFACTURER'S WARRANTY

This appliance is covered by a limited manufacturer's warranty. For one year from the original date of purchase, the manufacturer will repair or replace any parts of this appliance that prove to be defective in materials and workmanship, provided the appliance has been used under normal operating conditions as intended by the manufacturer.

Warranty Terms:

During the first year, any components of this appliance found to be defective due to materials or workmanship will be repaired or replaced, at the manufacturer's discretion, at no charge to the original purchaser. The purchaser will be responsible for any removal or transportation costs.

Warranty Exclusions:

The warranty will not apply if damage is caused by any of the following:

- Power failure
- Damage in transit or when moving the appliance
- Improper power supply such as low voltage, defective household wiring or inadequate fuses
- Accidents resulting in alteration, misuse or abuse of the appliance such as using non-approved accessories, inadequate air circulation in the room or abnormal operating conditions (extreme temperatures)
- Use in commercial or industrial applications
- Fire, water damage, theft, war, riot, hostility or acts of God such as hurricanes, floods, etc.
- Use of force or damage caused by external influences
- Partially or completely dismantled appliances
- Excess wear and tear by the user

Obtaining Service:

When making a warranty claim, please have the original bill of purchase with purchase date available. Once confirmed that your appliance is eligible for warranty service, all repairs will be performed by a NewAir™ authorized repair facility. The purchaser will be responsible for any removal or transportation costs. Replacement parts and/or units will be new, re-manufactured or refurbished and is subject to the manufacturer's discretion. For technical support and warranty service, please email support@newairusa.com.