

newair®

AW-210ED

21 Bottle Dual Zone Wine Fridge



OWNER'S MANUAL

Read and save these instructions.



Intertek

Manual v1.1

A Name You Can Trust

Trust should be earned and we will earn yours. Customer happiness is the focus of our business.

From the factory to the warehouse, from the sales floor to your home, the whole NewAir family promises to provide you with innovative products, exceptional service, and support when you need it the most.

Count on NewAir.

As a proud NewAir owner, welcome to our family. There are no robots here, real people shipped your product and real people are here to help you.

Contact Us:

For questions regarding your product, please contact us at:

Call: 1-855-963-9247
Email: support@newair.com
Online: www.newair.com

Connect with Us:



facebook.com/newairusa



instagram.com/newairusa



youtube.com/newairusa



twitter.com/newairusa

READ AND SAVE THESE INSTRUCTIONS.

TABLE OF CONTENTS

Register Your Product Online.....	4
Safety Information & Warnings	5
Parts List.....	6
Assembly & Installation	7
Operating Instructions	8
Cleaning & Maintenance.....	9
Wine Storage Guide	10
Troubleshooting.....	11
Limited Manufacturer's Warranty	13

SPECIFICATIONS

MODEL NO.	AW-210ED
RATED VOLTAGE:	115V / 60Hz
POWER CONSUMPTION:	140W
STORAGE CAPACITY:	21 bottles
TEMPERATURE RANGE:	44°F - 66°F (upper zone) 54°F -66°F (lower zone)

REGISTER YOUR PRODUCT ONLINE

Register Your NewAir Product Online Today!

Take advantage of all the benefits product registration has to offer:



Service and Support

Diagnose troubleshooting and service issues faster and more accurately



Recall Notifications

Stay up to date for safety, system updates and recall notifications



Special Promotions

Opt-in for NewAir promotions and offers

Registering your product information online is safe & secure and takes less than 2 minutes to complete:

register.newair.com

Alternatively, we recommend you attach a copy of your sales receipt below and record the following information, located on the manufacturer's nameplate on the rear of the unit. You will need this information if it becomes necessary to contact the manufacturer for service inquiries.

Date of Purchase: _____

Serial Number: _____

Model Number: _____

SAFETY INFORMATION & WARNINGS



When using any electrical appliance, basic safety precautions must be followed in order to reduce the risk of fire, electrical shock and/or injury to persons or property. Be sure to read all instructions before using this appliance and observe the following safety tips:

- **Attention: To prevent the risk of child entrapment, do not allow children to operate, play with, or crawl inside the unit.** If the unit will not be used for an extended period of time, remove the door and leave the shelves in place so that children cannot crawl inside. Also remove the door when disposing of the unit.
- Never clean the appliance parts with flammable fluids, as the fumes can create a fire hazard or explosion. Do not store or use gasoline or any other flammable vapors and liquids near this or any other appliance.
- Do not store perishable foods in the wine cooler, as the interior temperature will not be low enough to prevent food spoilage.



Shock Hazard – Electrical Grounding Required

- This cooler should be properly grounded for your safety, and in order to minimize the possibility of electrical shock, the power cord of this unit is equipped with a 3-prong plug which fits 3-prong wall outlets. Improper use of the grounded plug can result in electrical shock.
- If the power cord appears to be damaged, have it replaced by an authorized service center.
- Never cut or remove the ground wire from the supplied power cord.
- The use of an extension cord is not recommended.
- The cord should be secured behind the cooler. Also, to prevent accidental injury, do not expose or dangle the cord.

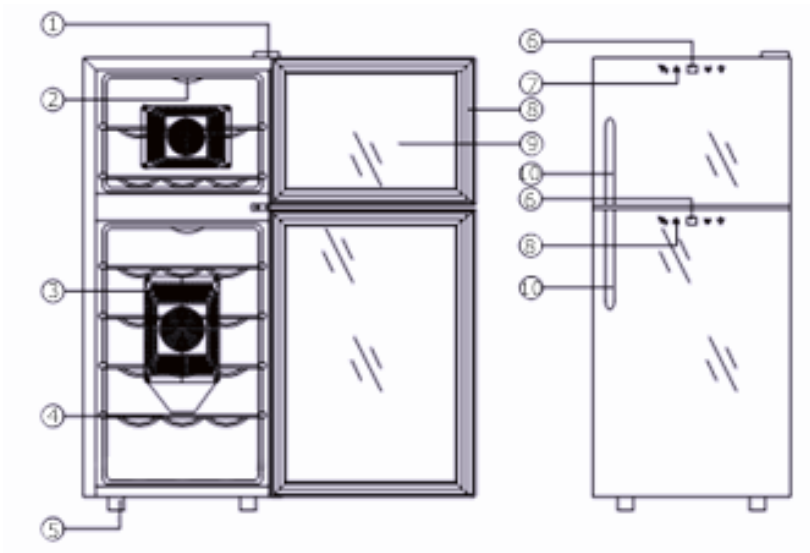
PARTS LIST

When you receive your unit, carefully remove the exterior and interior packaging. It is recommended that you retain the packaging for future use.

Check to make sure the following parts are included:

- 5 slide-out shelves
- 2 door handles and 4 screws
- 1 instruction manual

PARTS DIAGRAM



1. Door Hinge
2. Light
3. Fan Mask
4. Shelves
5. Feet

6. Temperature Control
7. Temperature Display
8. Door Frame
9. Glass Door
10. Door Handle

ASSEMBLY & INSTALLATION

HANDLE ASSEMBLY

Tools Required for Assembly: Phillips screwdriver (not included)

Estimated Assembly Time: 5 minutes

Before installation, attach the handle to the front of the unit with the included screws. It may be necessary to push aside the rubber seal on the inside of the door to reveal the screw holes.

Caution: Avoid over-tightening the screws, or you may cause damage to the unit.

INSTALLATION

This cooler is a freestanding unit and should not be installed inside a cabinet or other built-in enclosure.

For proper ventilation, allow 5 inches clearance between the back of the unit and any adjacent walls.

Before operating your wine cooler for the first time, follow these steps:

- Clean the interior surface of the unit with lukewarm water and a soft cloth.
- Place the cooler on a level surface that will be strong enough to support the unit when it is fully loaded. To level your cooler, adjust the front feet located at the bottom of the unit.
- Install the cooler away from direct sunlight and heat sources such as stoves, heaters, or radiators. Direct sunlight may affect the unit's acrylic coating, and nearby heat sources can increase electrical consumption. Extreme cold or hot ambient temperatures may also prevent proper performance.
- Please note: this cooler is only designed for home use, and is not designed to be placed in a garage, or outdoor area.

FACTORY ODOR REMOVAL

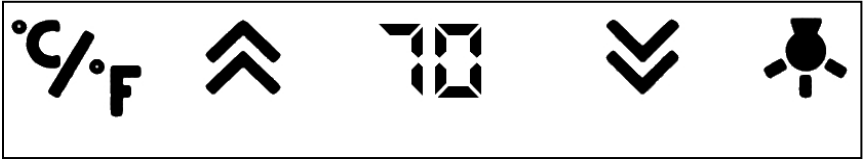
Wash the interior of the cooler with a mild detergent and warm water. Leave the door open and allow it to air dry thoroughly. If a "plastic" smell persists, place a dish of baking soda in the unit or stuff the cooler with newspapers overnight. When finished, let the unit run a full day to complete the airing out process.

OPERATING INSTRUCTIONS

OPERATING ENVIRONMENT

It is recommended that the wine cooler be installed in an area where the ambient temperature is between 50°- 80°F. If the ambient temperature is above or below the recommended ranges, the unit's performance may be affected, and extreme cold or hot conditions may cause the interior temperature to fluctuate. This will prevent the optimal range of 50°- 60°F from being reached. In addition, keep in mind that the temperature may fluctuate depending on whether the interior light is on or off, and whether the bottles are located on the upper, middle, or lower racks.

HOW TO USE THE BUTTONS ON THE DISPLAY PANEL



Select Celsius or Fahrenheit temperature scale.



Raise the desired temperatures.*



Turn the light on and off.



Lower the desired temperature.*

* The interior temperature of the upper zone can be adjusted in increments of 1 degree between 44°F and 66°F (7° - 18°C).

* The interior temperature of the lower zone can be adjusted in increments of 1 degree between 54°F and 66°F (10° - 18°C).

After turning on the wine cooler, the LED display will show the ambient temperature first, and then the internal cabinet temperature. After you set the desired temperature, this set temperature will flash for 5 seconds on the display and then revert back to the internal cabinet temperature.

CLEANING & MAINTENANCE

CLEANING YOUR COOLER

To clean your cooler:

- Unplug the cooler and remove anything inside.
- Wash the inside of the unit with a solution made of warm water and baking soda (2 tablespoons of baking soda to one quarter of water).
- Unscrew the water reservoir at the bottom of the unit and rinse with water.
- To clean the outside of the unit, use a mild detergent and warm water.

MOVING YOUR COOLER

To move your cooler:

- Remove anything stored inside.
- Securely tape down all loose parts located inside the unit.
- Turn the leveling feet up to the base in order to avoid damage.
- Tape the door shut.
- Be sure the cooler stays in an upright position during transportation.

WINE STORAGE GUIDE

- The ideal temperature for storing red wines is 50-65°F while white wines should be stored around 40-55°F, with humidity between 60% and 75% RH.
- Store corked bottles on their sides, to keep the cork from drying out and allowing air into the bottle.
- UV rays make wine age faster, so keep bottles out of direct sunlight.
- Avoid heavy vibrations from motors, etc.
- Store wine separately from strong odors that might contaminate the flavor of the wine.

HOW LONG SHOULD I STORE MY WINE?

While most wines today are meant to be drunk “young” (within a few years of production) some fine wines are best served by proper aging. But aging too long can decrease the flavor of the wine. Generally speaking, red wines can age longer than white wines, but here is a storage guide for some popular vintages.

Cabernet Sauvignon.....	7-10 years
Pinot Noir.....	5 years
Merlot.....	3-5 years
Zinfandel.....	2-5 years
Beaujolais.....	Drink now
Chardonnay.....	2-3 years
Riesling.....	3-5 years
Sauvignon Blanc.....	18 months – 2 years
Pinot Gris.....	1-2 years
Champagne	Ready to drink

TROUBLESHOOTING

Problem	Possible Causes	Solution
The cooler will not operate.	The unit may be plugged in using a different voltage.	Check if using the wrong voltage.
	The circuit breaker may be tripped or there is a blown fuse.	Reset the circuit breaker or check for a broken fuse.
The cooler is not cold enough.	The external environment may require a higher setting.	Lower the temperature of the cooler.
	The door may be opened too frequently.	Open the door less frequently.
	The door is not closed completely.	Make sure the door is closed securely.
	The door seal does not seal properly.	Replace the seal on the door. Replacements can be acquired from the manufacturer.
	The wine cooler does not have sufficient clearance.	Make sure there is at least 5 inches clearance between the back of the unit and any adjacent walls.
The light does not work.	There may be a problem with the display board.	Contact the manufacturer.
The cooler vibrates while operating.	The unit is not sitting on a level floor, or the unit's feet are not correctly installed.	Make sure the unit's feet are in the proper position and tightened securely.
The cooler produces a lot of noise.	The unit is not leveled.	See above.

Problem	Possible Causes	Solution
	The fan may be obstructed.	Check the fan to make sure there is no debris or obstruction. If not, contact the manufacturer.
The door will not close properly.	The unit is not leveled.	See above.
	The door is not properly installed.	Check the door hinges to make sure they are properly installed.
	The seal is weak.	Replace the seal on the door. Replacements can be acquired from the manufacturer.
	The shelves are out of position.	Make sure the shelves slide all the way into the unit.
The LED display does not work.	There may be a problem with the main control board.	Contact the manufacturer.
There is an LED display error, or the LED displays "LO".	The cooling kit is no longer working properly.	Contact the manufacturer.
	The PC Board is faulty.	Contact the manufacturer.
The buttons do not function.	The temperature control panel may be damaged.	Contact the manufacturer.

LIMITED MANUFACTURER'S WARRANTY

This appliance is covered by a limited manufacturer's warranty. For one year from the original date of purchase, the manufacturer will repair or replace any parts of this appliance that prove to be defective in materials and workmanship, provided the appliance has been used under normal operating conditions as intended by the manufacturer.

Warranty Terms:

During the first year, any components of this appliance found to be defective due to materials or workmanship will be repaired or replaced, at the manufacturer's discretion, at no charge to the original purchaser. The purchaser will be responsible for any removal or transportation costs.

Warranty Exclusions:

The warranty will not apply if damage is caused by any of the following:

- Power failure
- Damage in transit or when moving the appliance
- Improper power supply such as low voltage, defective household wiring or inadequate fuses
- Accident, alteration, misuse or abuse of the appliance such as using non-approved accessories, inadequate air circulation in the room or abnormal operating conditions (extreme temperatures)
- Use in commercial or industrial applications
- Fire, water damage, theft, war, riot, hostility or acts of God such as hurricanes, floods, etc.
- Use of force or damage caused by external influences
- Partially or completely dismantled appliances
- Excess wear and tear by the user

Obtaining Service:

When making a warranty claim, please have the original bill of purchase with purchase date available. Once confirmed that your appliance is eligible for warranty service, all repairs will be performed by a NewAir™ authorized repair facility. The purchaser will be responsible for any removal or transportation costs. Replacement parts and/or units will be new, re-manufactured or refurbished and is subject to the manufacturer's discretion. For technical support and warranty service, please email support@newair.com