

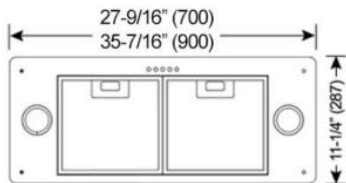
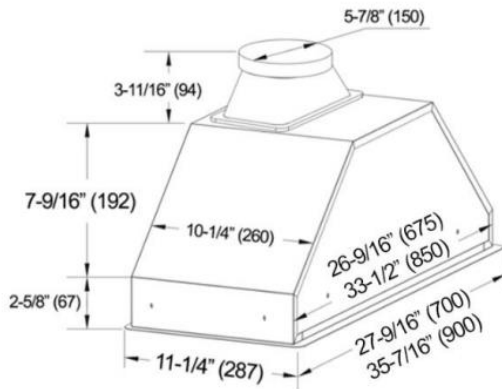
Brillia
INX27 SQB-700-3 SERIES

Built-In

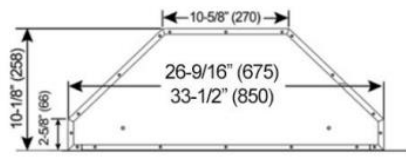


**INX27 Series included both Baffle Filters and Aluminum Mesh Filters*

Model / Size	INX2730SQB-700-3 / 30" INX2736SQB-700-3 / 36"
Appearance	
Stainless Steel	✓
Seamless	✓
Performance	
CFM / Sone	175 to 550 / 2.0 to 7.0
QuietMode™	1.5 Sone
LED Light	2 x Lights (3W)
Speed	3 Speed
Control	Mechanical Push Button
Blower Type	Single Horizontal Squirrel Cage
Exhaust	Top – 6" Round
Consumption / Ampere	240W / 2.0A
Filter	Baffle Filter Aluminum Mesh Filter
Optional Accessories	
Backsplash Panel	SSP30 (30" x 32") SSP36 (36" x 32")
Liner	INL36211A (for 30" model only)



Bottom View



Front View

