

**Premium  
 IN26 SQB-700-X SERIES**

Built-In



**Built-In Hood**

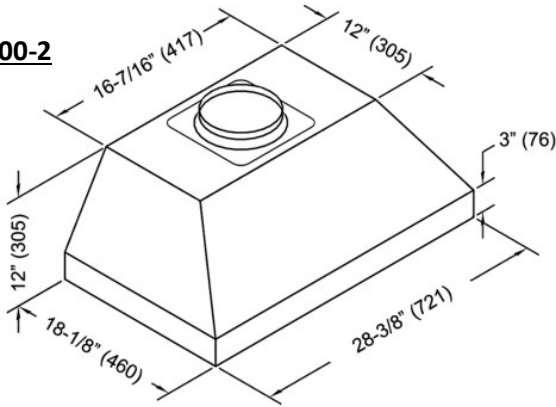


**Remote Control KRC6  
 (Sold Separately)**

- Magnet to attach any magnetic surface
- Remote control range up to 16 feet

<b>Model / Size</b>	IN2630SQB-700-2 / 30" IN2636SQB-700-1 / 36"
<b>Appearance</b>	
<b>Stainless Steel</b>	✓
<b>Seamless</b>	✓
<b>Performance</b>	
<b>CFM / Sone</b>	300 to 750 / 1.0 to 6.0
<b>QuietMode™</b>	1.0 Sone
<b>ECO Mode</b>	10 Minutes on QuietMode™ Every Hour to Promote a Cleaner Kitchen Air Quality
<b>LED Light</b>	3-Level Lighting 2 x LED Light (3W) – 30" & 36"
<b>Speed</b>	6 Speed
<b>Control</b>	Electronic Buttons with LED Display
<b>Blower Type</b>	Single Horizontal Squirrel Cage
<b>Exhaust</b>	Top – 6" Round Top – 3-1/4" x 10" Rectangular Rear – 6" Round Rear – 3-1/4" x 10" Rectangular
<b>Consumption / Ampere</b>	290W / 2.5A
<b>Filter</b>	Baffle Filter
<b>Optional Accessories</b>	
<b>Backsplash Panel</b>	SSP30 (30" x 32") SSP36 (36" x 32")
<b>Remote Control</b>	KRC6

**IN2630SQB-700-2**



**IN2636SQB-700-1**

