

KOBE® KOBE Range Hoods

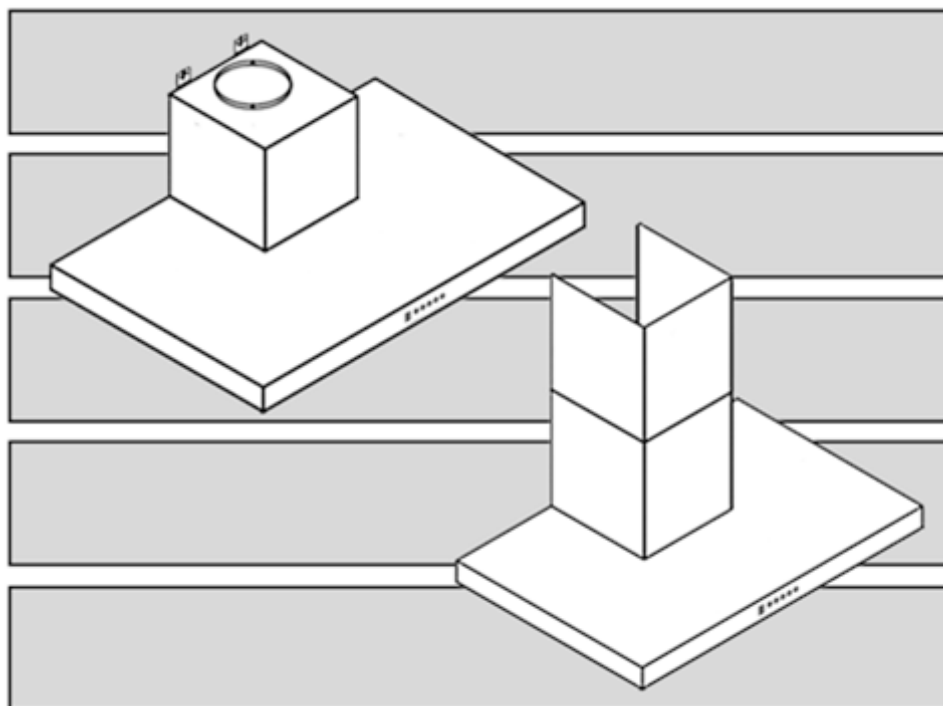
Premium Series

Mila CH77 Series

Model No.:

Under Cabinet: CH7730SQ6-XX (30")
CH7736SQ6-XX (36")
CH7748SQ6-XX (48")

Wall Mount: CH7730SQ6-WM-XX (30")
CH7736SQ6-WM-XX (36")
CH7748SQ6-WM-XX (48")



INSTALLATION INSTRUCTIONS
AND OPERATION MANUAL

IMPORTANT READ THIS FIRST

READ BEFORE INSTALLATION

1. Carefully check all contents of packages.
2. Thoroughly inspect the unit for any shipping damages, cosmetic damages or defects.
3. Have a certified contractor/electrician test the unit before installation.

IF THERE IS ANY PROBLEM:

1. **DO NOT INSTALL THE UNIT AND KEEP ALL ORIGINAL PACKAGING MATERIAL.**
2. Have your original invoice as proof of purchase and product serial number ready.
3. Contact your merchant for product replacement due to shipping damages, cosmetic damages or defects.
4. For all other issues, call 1-877-BUY-KOBE (289-5623), or e-mail to customer.service@koberangehoods.com

NO RETURN, NO REFUND, NO EXCHANGE IF:

1. PRODUCT HAS BEEN INSTALLED
2. KNOCK-OUT HOLES HAVE BEEN PUNCTURED
3. MISSING ORIGINAL PACKAGING MATERIAL AND/OR PARTS

[ENGLISH]

- READ AND SAVE THESE INSTRUCTIONS -

CONTENTS

IMPORTANT SAFETY INSTRUCTIONS.....	1
COMPONENTS OF PACKAGE.....	3
INSTALLATION.....	5
OPERATING INSTRUCTIONS.....	12
MAINTENANCE.....	15
SPECIFICATIONS.....	16
MEASUREMENTS & DIAGRAMS.....	17
PARTS LIST.....	19
CIRCUIT DIAGRAM.....	23
TROUBLE SHOOTING.....	24
WARRANTY.....	25
WARRANTY INFORMATION FORM.....	27

- READ ALL INSTRUCTIONS CAREFULLY BEFORE STARTING -

ALL WIRING MUST BE DONE BY A PROFESSIONAL AND IN ACCORDANCE WITH NATIONAL AND LOCAL ELECTRICAL CODES



IMPORTANT SAFETY INSTRUCTIONS

- PLEASE READ THIS SECTION CAREFULLY BEFORE INSTALLATION -

⚠ WARNING: TO REDUCE THE RISK OF FIRE, ELECTRIC SHOCK OR PERSONAL INJURY, OBSERVE THE FOLLOWING.

- 1) Installation and electrical wiring must be done by qualified professionals and in accordance with all applicable codes and standards, including fire-rated construction.
- 2) When cutting or drilling into wall or ceiling, be careful not to damage electrical wiring or other hidden utilities.
- 3) Ducted fans must be vented to the outside.
 - a) Before servicing or cleaning unit, open the light panel and SWITCH POWER OFF AT SERVICE PANEL.
 - b) Clean all grease laden surfaces frequently. To reduce the risk of fire and to disperse air properly, make sure to vent air outside. DO NOT vent exhaust air into wall spaces, attics, crawl spaces or garages.

- NOTE
- This warranty is void without an authorized agent's receipt or if unit is damaged due to misuse, poor installation, improper use, mistreatment, negligence or any other circumstances beyond the control of KOBE RANGE HOODS authorized agents. Any repair carried out without the supervision of KOBE RANGE HOODS authorized agents will automatically void the warranty.
 - KOBE RANGE HOODS will not be hold responsible for any damages to personal property or real estate or any bodily injuries whether caused directly or indirectly by the range hood.

⚠ WARNING: TO REDUCE THE RISK OF PERSONAL INJURY IN THE EVENT OF A RANGE TOP GREASE FIRE:

- 1) Keep all fan, baffle/spacer/filter/oil tunnel/oil container and grease-laden surfaces clean. Grease should not be allowed to accumulate on fan, baffle/spacer/filter/oil tunnel/oil container.
- 2) Always turn hood ON when cooking.
- 3) Use high settings on cooking range ONLY when necessary.
- 4) Do not leave cooking range unattended when cooking.
- 5) Always use cookware and utensils appropriate for the type and amount of food prepared.
- 6) Use this unit only in the manner intended by the manufacturer.
- 7) Before servicing, switch power off at service panel and lock service panel (if possible) to prevent power from switching on accidentally.
- 8) Clean ventilating fan frequently.

What to Do In The Event Of a Range Top Grease Fire

- SMOTHER FLAMES with a tight fitting lid, cookie sheet, or metal tray, and then turn off the burner. KEEP FLAMMABLE OR COMBUSTIBLE MATERIAL AWAY FROM FLAMES. If the flames do not go out immediately, EVACUATE THE AREA AND CALL THE FIRE DEPARTMENT or 911.
- NEVER PICK UP A BURNING PAN – You May Get Burned.
- DO NOT USE WATER, including wet dishcloths or towels – a steam blast will result.
- Use an extinguisher ONLY if:
 - a) You have a Class A, B, C extinguisher and know how to operate it.
 - b) The fire is small and contained in the area where it started.
 - c) The fire department has been called.
 - d) You can fight the fire with your back to an exit.

What to Do If You Smell Gas

- Extinguish any open flame.
- Do not try to turn on the lights or any type of appliance.
- Open all doors and windows to disperse the gas. If you still smell gas, call the Gas Company and Fire Department right away.

CAUTION

- 1) For general ventilation use only. Do not use to exhaust hazardous or explosive materials and vapors.
- 2) To reduce the risk of fire, use only metal ductwork. Sufficient air is needed for proper combustion and exhausting of gases through the flue (chimney) to prevent back drafting.
- 3) Follow the heating equipment manufacturer's guideline and safety standards such as those published by the National Fire Protection Association (NFPA), and the American Society for Heating, Refrigeration and Air Conditioning Engineers (ASHRAE), and code authorities.
- 4) Activating any switch on may cause ignition or an explosion.
- 5) Due to the size and weight of this hood, installation by 2 persons is recommended.

WARNING



ELETRICAL SHOCK HAZARD – Can result in serious injury or death. Disconnect appliance from electric power before servicing. If equipped, the fluorescent light bulb contains small amount of mercury, which must be recycled or disposed of according to Local, State, and Federal Code.

COMPONENTS OF PACKAGE

(Must keep all material for returns or refunds)

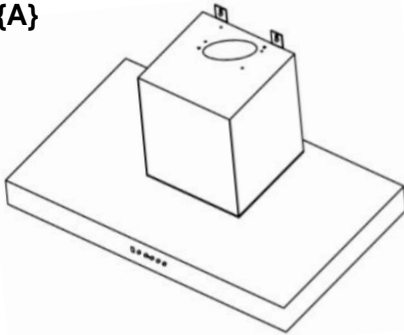
For Under Cabinet Application

CH7730SQ6-XX (30") / CH7736SQ6-XX (36") / CH7748SQ6-XX (48")

Range Hood Box

- {A} KOBE Range Hood
- {B} Warranty Registration Card
- {C} Quick Reference Guide
- {D} Stainless Steel Filter x 1
- {E} Airflow Efficiency Panel(s) x 1 (30" hood)
x 3 (36" & 48" hood)
- {F} 6" Round Plastic Exhaust
- {G} Wire Cap x 3
- {H} Screws Package
- {I} Remote Control (Optional; Sold Separately)

{A}



{B}



{C}



{D}



*Pre-Installed

{E}



{F}



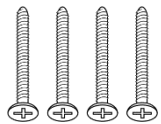
*Pre-Installed

{G}



Wire caps (3)

{H}



M4 x 1-1/2" (4)

{I}



*Batteries included

- FOR MORE INFORMATION, PLEASE VISIT OUR WEBSITE www.koberangehoods.com OR CONTACT KOBE RANGE HOODS AT (626) 775-8880.

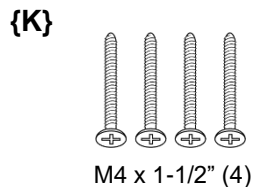
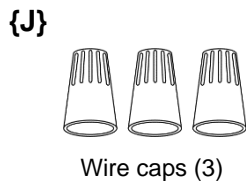
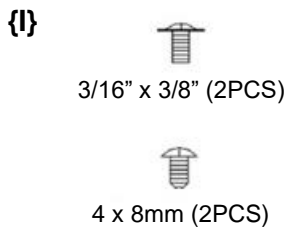
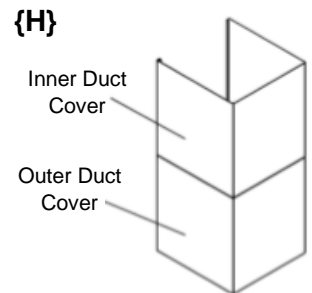
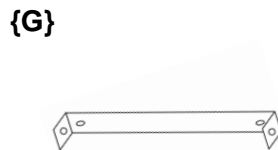
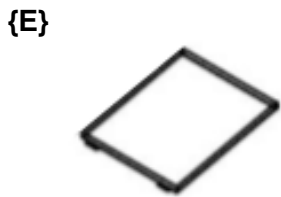
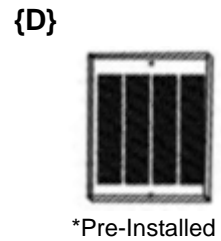
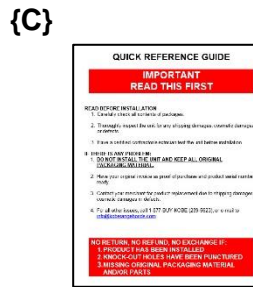
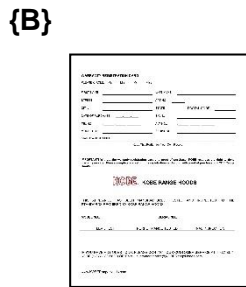
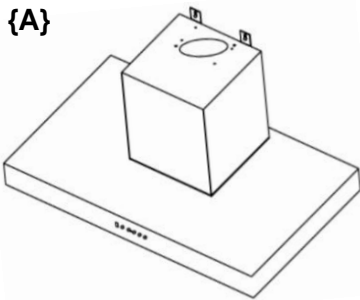
(Must keep all material for returns or refunds)

For Wall Mount Application

CH7730SQ6-WM-XX (30") / CH7736SQ6-WM-XX (36") / CH7748SQ6-WM-XX (48")

Range Hood Box

- {A} KOBE Range Hood
- {B} Warranty Registration Card
- {C} Quick Reference Guide
- {D} Stainless Steel Filter x 1
- {E} Airflow Efficiency Panel(s) x 1 (30" hood)
x 3 (36" & 48" hood)
- {F} 6" Round Plastic Exhaust
- {G} Duct Cover-Mounting Bracket
- {H} Duct Cover (Model No.: CH02DC-1)
- {I} Screws Package
- {J} Wire Cap x 3
- {K} Screws Package
- {L} Remote Control (Optional; Sold Separately)



- FOR MORE INFORMATION, PLEASE VISIT OUR WEBSITE www.koberangehoods.com OR CONTACT KOBE RANGE HOODS AT (626) 775-8880.

INSTALLATION

PLEASE READ ENTIRE INSTRUCTIONS BEFORE PROCEEDING

Calculation before Installation

To calculate installation, please refer to TABLE 1 and TABLE 2. (All calculation in inches).

- FOR UNDER THE CABINET -

<p>TABLE 1</p> <p>A = Height of Floor to Ceiling B = Height of Floor to Counter Top (Standard: 36") C = Preferred Height of Counter Top to Hood Bottom (Minimum 26" to 30") D = Height of Hood E = Height of the Cabinet</p>	<p>The diagram illustrates the vertical dimensions for an under-cabinet hood installation. It shows a cross-section of a kitchen cabinet above a counter. The counter top is at height B from the floor. The hood is mounted below the counter, with its bottom edge at height C from the floor. The hood has a height of D. Above the hood is the cabinet, which has a height of E from the top of the hood to the ceiling. The total height from the floor to the ceiling is labeled as A.</p>
---	--

- FOR WALL MOUNT (WITH OPTIONAL DUCT COVER) -

<p>TABLE 2</p> <p>A = Height of Floor to Ceiling B = Height of Floor to Counter Top (Standard: 36") C = Preferred Height of Counter Top to Hood Bottom (Minimum 26" to 30") D = Height of Hood E = Height of Duct Cover [F – D] F = Height of the Hood Installation [A – (B+C)]</p>	<p>The diagram illustrates the vertical dimensions for a wall-mounted hood installation. It shows a cross-section of a kitchen counter and ceiling. The counter top is at height B from the floor. The hood is mounted on the wall above the counter, with its bottom edge at height C from the floor. The hood has a height of D. Above the hood is a duct cover, which has a height of E. The total height from the floor to the top of the duct cover is labeled as F. The total height from the floor to the ceiling is labeled as A.</p>
--	---

⚠ SAFETY WARNING

HOOD MAY HAVE VERY SHARP EDGES; PLEASE WEAR PROTECTIVE GLOVES IF REMOVING ANY PARTS FOR INSTALLING, CLEANING OR SERVICING.

NOTE: DO NOT USE AN ELECTRIC SCREWDRIVER. USE HAND TOOLS ONLY. DO NOT OVER TIGHTEN SCREWS AS THIS MAY CAUSE DAMAGE TO THE HOOD.

Installation Contents

UNDER CABINET INSTALLATION	7
WALL MOUNT INSTALLATION	9

UNDER CABINET INSTALLATION

Applicable Model: CH7730SQ6-XX (30") / CH7736SQ6-XX (36") / CH7748SQ6-XX (48")

Preparation before Installation

NOTE: TO AVOID DAMAGE TO YOUR HOOD, PREVENT DEBRIS FROM ENTERING THE VENT OPENING.

- Decide the location of the venting pipe from the hood to the outside. (Figure 1)
- A straight, short vent run will allow the hood to perform more efficiently.
- Try to avoid as many transitions, elbows, and long run as possible. This may reduce the performance of the hood.
- Temporarily wire the hood to test for proper operation before installing. If the hood does not operate, check the circuit breaker or house fuse. If the hood is still not working, disconnect power supply and check the continuity of all wire connections.
- Peel protective film off the hood (if any).
- Use duct tape to seal joints between pipe sections.
- Make sure the cabinet has full access opening for the hood as shown on Figure 2.
- Using reference on Page 16 to measurement and create access opening for electrical wire and exhaust under the cabinet.

Hood Installation

⚠ CAUTION: Do not use an electric screwdriver. Use hand tools only. Do not over tighten screws as this may cause damage to the hood.

⚠ CAUTION: If moving the cooking range is necessary to install the hood, turn off the power in an electric range at the main electrical box. SHUT OFF THE GAS BEFORE MOVING A GAS RANGE. And use a protective covering to protect cooktop and/or countertop from damage.

1. Using references on TABLE 1 and measurements on page 16 mark the leveling point for hood-mounting bracket inside the cabinet.
2. Secure two hood mounting screws (provided) inside the cabinet leaving 1/8" away from the cabinet as shown on Figure 3.
3. Loosen hood-mounting brackets at the back of the hood, adjust brackets and tighten screws as shown in Figure 4.
4. Refer to Figure 5. Align hood-mounting bracket to the mounting screws inside the cabinet and hook hood into place. Secure and tighten the mounting screws.

⚠ CAUTION: MAKE SURE THE HOOD IS SECURE BEFORE RELEASING.

Figure 1

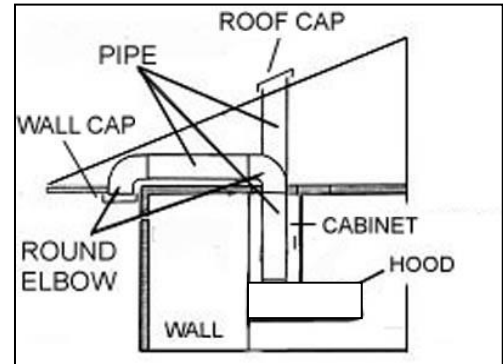


Figure 2

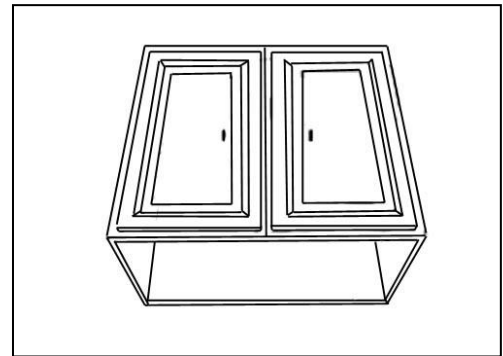


Figure 3

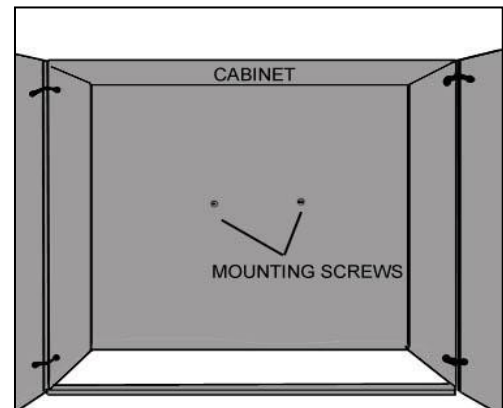
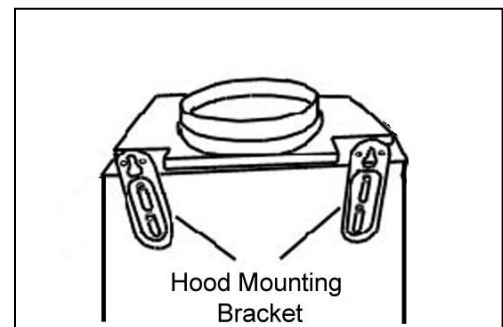


Figure 4



Ductwork Installation

5. Use steel pipe to connect the 6" round plastic collar {F} on the hood to the ductwork above. Use duct tape to make all joints secure and air tight. Refer to Figure 6.

Wiring to Power Supply

⚠ THIS RANGE HOOD MUST BE PROPERLY GROUNDED. MAKE SURE THIS IS DONE BY QUALIFIED ELECTRICIAN IN ACCORDANCE WITH ALL APPLICABLE NATIONAL AND LOCAL ELECTRICAL CODES. BEFORE CONNECTING WIRES, SWITCH POWER OFF AT SERVICE PANEL AND LOCK SERVICE PANEL TO PREVENT POWER FROM BEING SWITCHED ON ACCIDENTALLY.

6. If hood is operating normally, connect three wires (black, white and green) to house wires and cap with wire connections.
7. Store wires in the wiring box.

Install / Uninstall Accessories

8. Place the airflow efficiency panel underneath the hood. Figure 7)

Final Assembly

9. Turn power ON in control panel. Check all lights and fan operation.
10. Leave this Installation Instructions and Operation Manual for the homeowner.

Figure 5

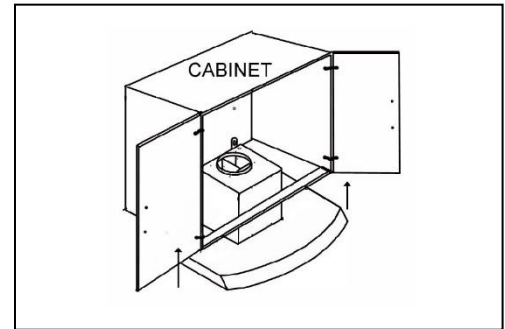


Figure 6

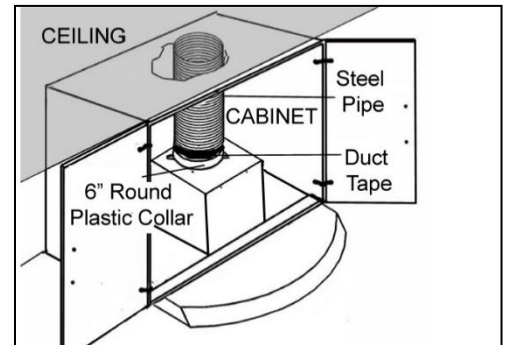
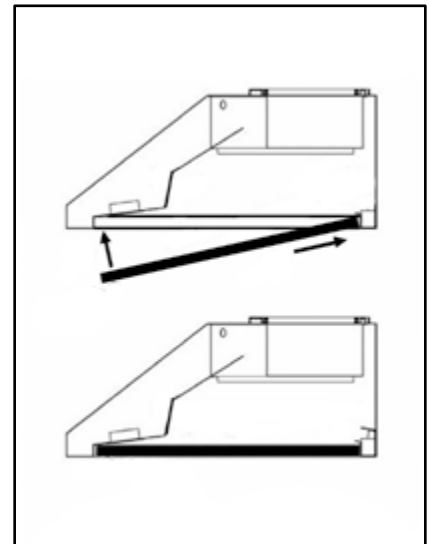


Figure 7



WALL MOUNT INSTALLATION

Applicable Model: CH7730SQ6-WM-XX (30") / CH7736SQ6-WM-XX (36") / CH7748SQ6-WM-XX (48")

Preparation before Installation

NOTE: TO AVOID DAMAGE TO YOUR HOOD, PREVENT DEBRIS FROM ENTERING THE VENT OPENING.

- Decide the location of the venting pipe from the hood to the outside. Refer to Figure 8.
- A straight, short venting run will allow the hood to perform more efficiently.
- Try to avoid as many transitions, elbows, and long run as possible. This may reduce the performance of the hood.
- Temporarily wire the hood to test for proper operation before installation. If the hood does not operate, check the circuit breaker or house fuse. If the hood is still not working, disconnect power supply and check the continuity of all wire connections.
- Peel protective film off the hood (if any).
- Use duct tape to seal the joints between pipe sections.
- If necessary, prepare back wall frame with cross framing lumber for secure installation. Using references on TABLE 2 and measurements on page 16-17, decide the level of the lumber. Refer to Figure 9.

Hood Installation

⚠ CAUTION: Do not use an electric screwdriver. Use hand tools only. Do not over tighten screws as this may cause damage to the hood.

⚠ CAUTION: If moving the cooking range is necessary to install the hood, turn off the power in an electric range at the main electrical box. SHUT OFF THE GAS BEFORE MOVING A GAS RANGE. And use a protective covering to protect cooktop and/or countertop from damage.

1. Use reference on TABLE 2 and measurements on page 16-17, mark the leveling point of the hood. Position mounting screws (provided) on the wall, leaving 1/8" away from the wall as shown in Figure 10.
2. Optional step for adjusting hood-mounting bracket height:
 - Loosen hood-mounting brackets at the back of the hood, adjust brackets and tighten screws as shown in Figure 11.
3. Align hood-mounting bracket to the two screws on the wall and hook hood into place. Tighten screws to secure hood to the wall.

⚠ CAUTION: MAKE SURE THE HOOD IS SECURE BEFORE LEASING.

Figure 8

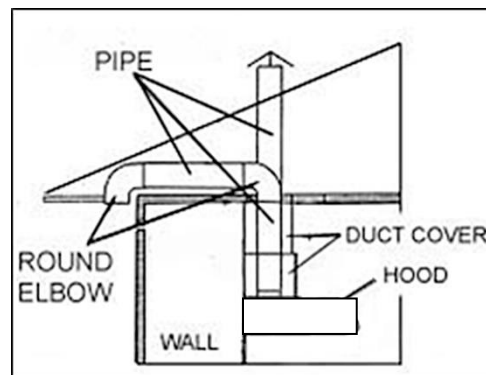


Figure 9

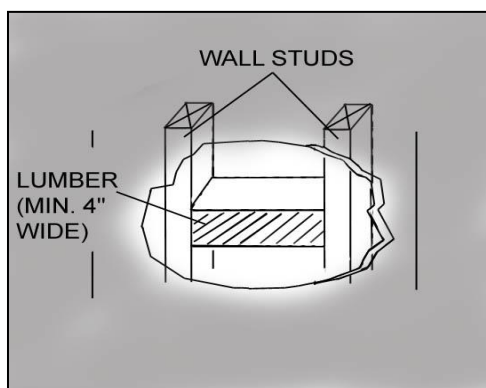


Figure 10

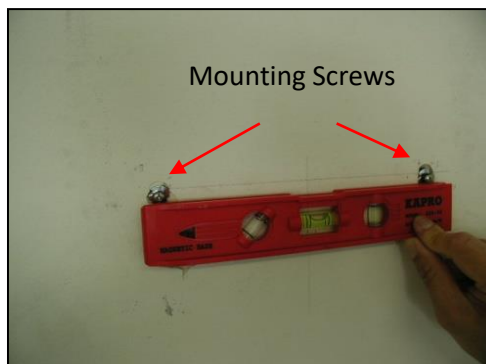
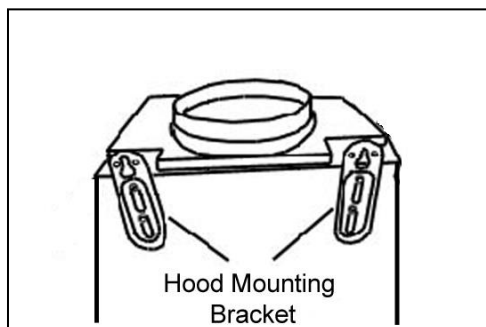


Figure 11



Wiring to Power Supply

⚠ THIS RANGE HOOD MUST BE PROPERLY GROUNDED. MAKE SURE THIS IS DONE BY QUALIFIED ELECTRICIAN IN ACCORDANCE WITH ALL APPLICABLE NATIONAL AND LOCAL ELECTRICAL CODES. BEFORE CONNECTING WIRES, SWITCH POWER OFF AT SERVICE PANEL AND LOCK SERVICE PANEL TO PREVENT POWER FROM BEING SWITCHED ON ACCIDENTALLY.

4. If hood is operating normally, connect three wires (black, white and green) to house wires and cap with wire connectors.
5. Store wires in wiring box.

Ductwork Installation

6. Use steel pipe to connect the exhaust on the hood to the ductwork. Use duct tape to make all joints secure and air tight.

Duct Cover Installation

7. Mark the position of the Duct Cover-Mounting Bracket {G}. Use reference E from TABLE 2 and measurements on page 16-17. Attach and secure Duct Cover-Mounting Bracket {G} with two screws (provided). Refer to Figure 12. NOTE: Inner duct cover will cover the Duct Cover-Mounting Bracket.
8. Position the entire duct cover up onto the hood.
9. Secure the inner duct cover with two (3/16" x 3/8") screws {I} to the Duct Cover-Mounting Bracket {G}. Shown in Figure 13.
10. Secure the outer duct cover with two (3/16" x 3/8") screws {I} to the Blower Housing.

Install / Uninstall Accessories

11. Place the airflow efficiency panel underneath the hood. (Figure 14)

Final Assembly

12. Turn power ON in control panel. Check all lights and fan operation.
13. Leave this Installation Instructions and Operation Manual for the homeowner.

Figure 12

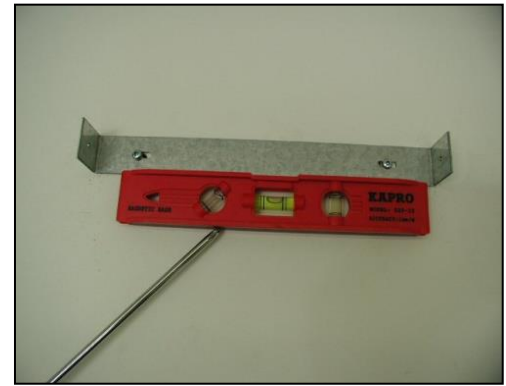
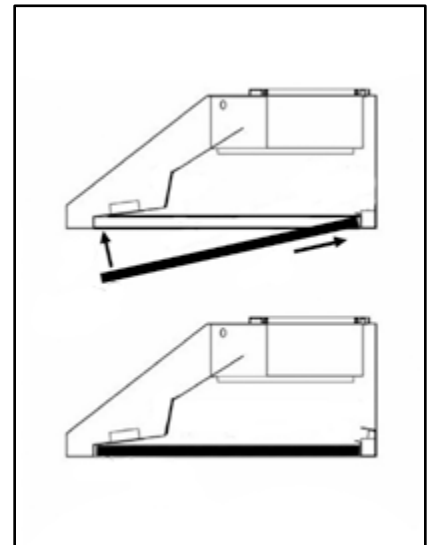


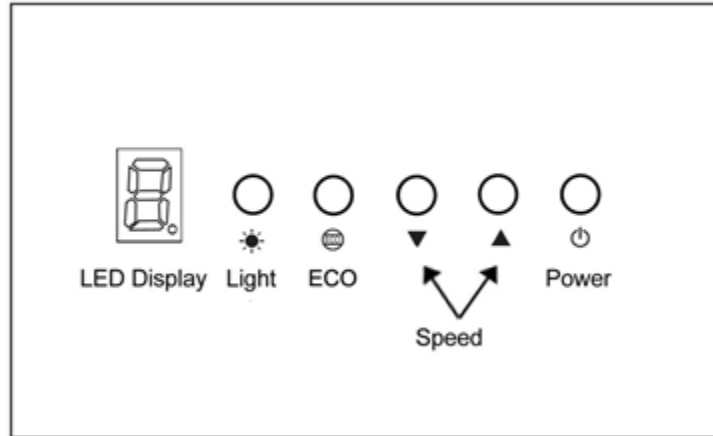
Figure 13



Figure 14



OPERATING INSTRUCTIONS



Button



Power



Light



Decrease Fan Speed



ECO Mode



Increase Fan Speed

LED Display Indicator



ECO Mode Icon



Auto Mode Icon



QuietMode™



Speed #1



Speed #2



Speed #3




Speed #4



Speed #5

Auto Mode

- The hood has advanced built-in flame and temperature sensors. When the sensor detects the presence of a flame or fire, the hood will turn on automatically.
PLEASE NOTE: FOR THE BUILT-IN FLAME SENSORS, IT WILL ONLY FUNCTION WITH GAS RANGES.
- To turn On/Off Auto Mode, press and hold the Increase Fan Speed button . LED Display will show "A" when the Auto Mode is on. When you turn off the Auto Mode, it will default to fan speed 3.
 - When the Auto Mode is on, only the light control and ECO Mode will work because everything else is set to Auto. You need to turn off the Auto Mode in order to manually use the Power and Speed Controls.
 - Lights and ECO Mode can work independently and can still be turned on manually even if Auto Mode is activated.
- The speed will automatically adjust to the higher and lower speeds depending on the temperature differential of ~7°F degrees** between the hood and the surrounding environment.

**Please note: ~7°F degrees vary depending on the condition of your environment and stove/range you use.


Delay Shut-off

- Automatic: After turning off your range and the temperature of the hood equals the surrounding room temperature; the hood will automatically activate the 5-minute delay shut-off.

OR

Manual: To activate the 5-minute delay shut-off manually, press and hold the power button for about 3 seconds.

- After 5 minutes the fan will shut-off automatically. The lights work independently of the delay shut-off and will not shut off automatically when the fan shuts off in delay shut-off.

*Once the delay shut-off has been activated, the LED display will flash continuously, and the fan speed will change to speed 3. While the 5-minute countdown is running, the speed level can be adjusted by pressing the increase/decrease fan speed buttons. To turn the fan off immediately, press the power button a second time. 

ECO Mode

- ECO Mode is set to turn the fan on QuietMode™ setting for 10 minutes every hour to remove excess moisture, microscopic particles and odors for better kitchen air quality.
- ECO Mode is independent from the power control, delay shut-off and auto mode.
- ECO Mode can be activated while fan is running on or off. Press and hold the ECO button until the “E” icon briefly appears in the LED display. While the fan is running, you can change the speed, use delay shut-off or turn off the fan without disabling the ECO Mode.
- When the fan is off and ECO Mode has been activated, the “E” icon will appear in the LED display. The “E” icon will flash while ECO Mode is operating on QuietMode™. To deactivate, press and hold the ECO button until the “E” icon no longer appears in the LED display.

NOTE: Pressing the power button while ECO Mode is active will activate the regular the regular fan function and the speed will be displayed on the LED display.

WARNING: Make sure there is sufficient free-flowing air when ECO Mode is activated (e.g. open doors and/or windows.)


Power


To turn the hood ON/OFF manually, press the power button once.

NOTE: You need to turn off the Auto Mode in order to manually use the Power and Speed Controls. Please see Auto Mode section for further instructions.

Speed

The hood starts on speed 3 by default.

To decrease speed level, press the Decrease Fan Speed. 

To increase speed level, press the Increase Fan Speed. 

Light Control

Press the light button to turn the LED lights ON. Each press of the button will cycle the light intensity through bright, medium bright, dim and off. Lights are controlled independently from power and speed control. Lights will not turn off by itself in delay shut-off, so please be sure to turn them off first before setting on delay shut-off mode.

Remote Control



- Power control and 5-minute delay shutoff control (press and hold for 3 seconds)
- Increase fan speed (Auto Mode can be turned on by pressing and holding for 5 seconds)
- Decrease fan speed
- ECO Mode control (press and hold for 3 seconds to activate ECO Mode)
- Light control turns on brightest setting by default

*The remote control is magnetic to allow it to stick to a magnetic surface. Remote control uses CR2032 batteries (provided) and can be used up to 16 feet away.

MAINTENANCE

For optimal performance, clean the range hood surface and filters regularly.

To Clean Hood Surface

CAUTION: NEVER USE ABRASIVE CLEANERS, PADS, OR CLOTHS.

***Regular care will help preserve its fine appearance.

1. Use only mild soap or detergent solutions. Dry surfaces using soft cloth.
2. If hood looks splotchy (stainless steel hood), use a stainless steel cleaner to clean the surface of the hood. Avoid getting cleaning solution onto or into the control panel. Follow directions of the stainless steel cleaner. **Caution: Do not leave on too long as this many cause damage to hood finish.** Use soft towel to wipe off the cleaning solution, gently rub off any stubborn spots. Use dry soft towel to dry the hood.
3. DO NOT allow deposits to accumulate or remain on the hood.
4. DO NOT use ordinary steel wool or steel brushes. Small bits of steel may adhere to the surface and cause rusting.
5. DO NOT allow salt solutions, disinfectants, bleaches, or cleaning compounds to remain in contact with stainless steel or extended periods. Many of these compounds contain chemicals, which may be harmful to the hood. Rinse with water after exposure and wipe dry with a clean lint free cloth.

To Clean Stainless Steel Filter / Airflow Efficiency Panel

CAUTION: DRAIN OIL FROM STAINLESS STEEL FILTER & AIRFLOW EFFICIENCY PANEL REGULARLY TO PREVENT OVERFLOW.

1. Remove all filters and panels.
RECOMMENDED USAGE OF GLOVES WHILE REMOVING
2. Using a sponge, wash with warm soapy water. Dry completely before returning into place.

***Note: Stainless Steel Filters & Airflow Efficiency Panels are top rack dishwasher safe.

SPECIFICATIONS

MODEL / SIZE	<u>Under Cabinet Application</u> CH7730SQ6-XX (30") CH7736SQ6-XX (36") CH7748SQ6-XX (48")	<u>Wall Mount Application</u> CH7730SQ6-WM-XX (30") CH7736SQ6-WM-XX (36") CH7748SQ6-WM-XX (48")				
COLOR	18-Gauge Commercial Grade Stainless Steel					
CONSUMPTION / AMPERE	420W / 3.5A					
Power Rating	120V / 60Hz					
NUMBER OF BLOWER	1					
DESIGN	Seamless / Satin Finish					
BLOWER TYPE	Single Horizontal Squirrel Cage					
EXHAUST	Top 6" Round					
CONTROLS	6-Speed Electronic Control with LED Display, Flame and Temperature Sensor					
LIGHTS	3-Level Lighting 3-watt LED Light x 2 (30" , 36") 3-watt LED Light x 4 (48")					
HOOD DIMENSION	CH7730SQ6-XX / CH7730SQ6-WM-XX (30") 29-3/4" x 19-11/16" x 13-1/4" CH7736SQ6-XX / CH7736SQ6-WM-XX (36") 35-3/4" x 19-11/16" x 13-1/4" CH7748SQ6-XX / CH7748SQ6-WM-XX (48") 47-3/4" x 19-11/16" x 13-1/4"					
DUCT COVER DIMENSION	1) Standard Duct Cover (2pc. Adjustable) CH02DC-1 (11-15/16" x 12-7/16" x 18-7/8"~37-3/8") 2) Inner Duct Extension (Sold Separately) CH02DC-30-1 (11-15/16" x 12-7/16" x 30")					
OPTIONAL ACCESSORIES	1) 30" Stainless Steel Back Panel SSP30 (30" x 1/10" x 32") 2) 36" Stainless Steel Back Panel SSP36 (36" x 1/10" x 32")					
WEIGHT		<u>NET</u>	<u>GROSS</u>			
	CH7730SQ6-XX (30")	36.5 lbs	46.0 lbs			
	CH7736SQ6-XX (36")	42.0 lbs	52.5 lbs			
	CH7748SQ6-XX (48")	49.5 lbs	62.0 lbs			
	CH7730SQ6-WM-XX (30")	44.0 lbs	55.5 lbs			
	CH7736SQ6-WM-XX (36")	50.0 lbs	62.0 lbs			
	CH7748SQ6-WM-XX (48")	57.0 lbs	71.5 lbs			
SPEED	QuietMode™	Speed 1	Speed 2	Speed 3	Speed 4	Speed 5
Air Capacity (CFM)	240	330	400	470	510	600
Sone* (dB)	2.0	3.5	4.5	5.6	6.0	7.0

*One sone is equivalent to the sound of a refrigerator at 40 decibels.

**Specifications subject to change without notice.

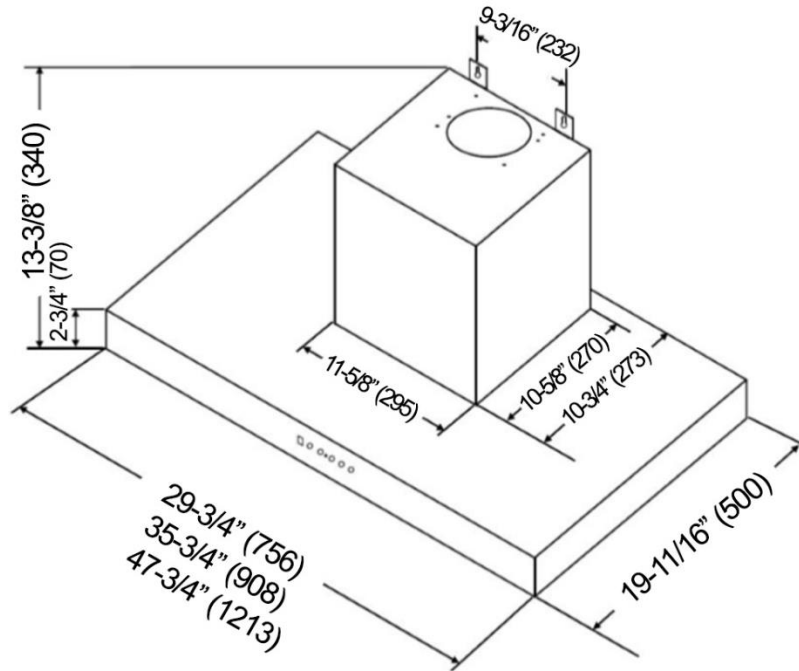
MEASUREMENTS & DIAGRAMS

***All inch measurements are converted from millimeters. Inch measurements are estimated.

***All measurements in () are millimeters.

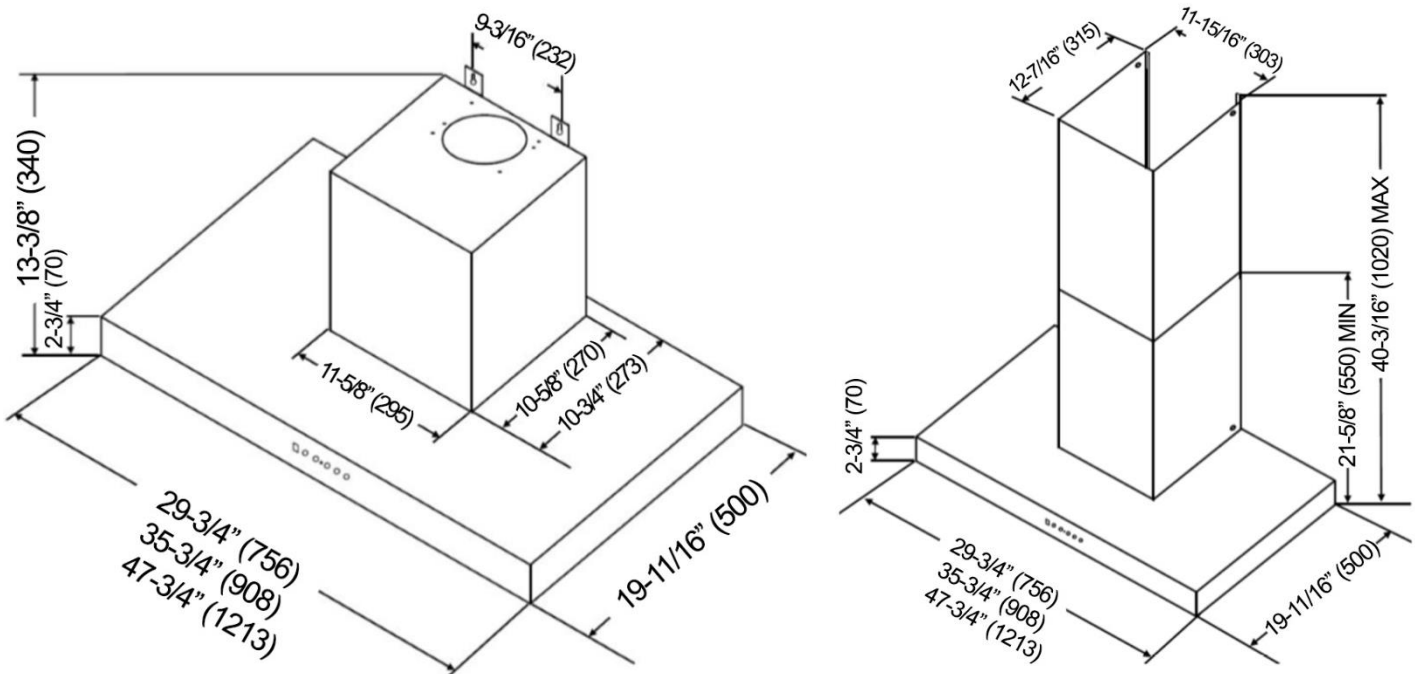
- FOR UNDER THE CABINET -

MODEL NO.: CH7730SQ6-XX (30") / CH7736SQ6-XX (36") / CH7748SQ6-XX (48")

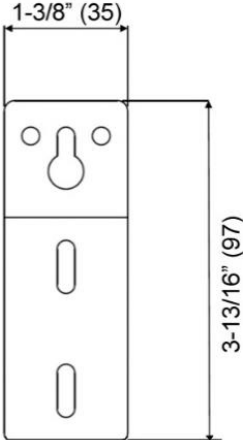


- FOR WALL MOUNT -

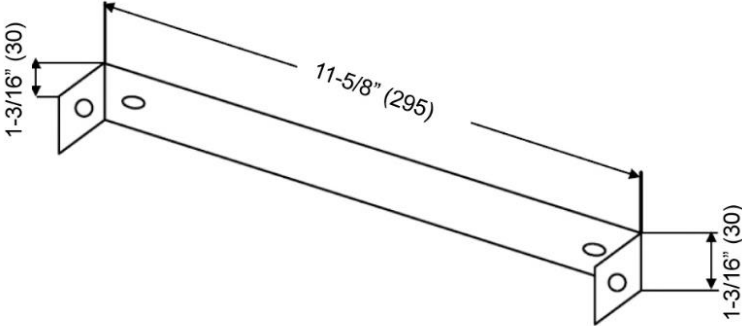
MODEL NO.: CH7730SQ6-WM-XX (30") / CH7736SQ6-WM-XX (36") / CH7748SQ6-WM-XX (48")



***Hood-Mounting Bracket



***Duct Cover-Mounting Bracket

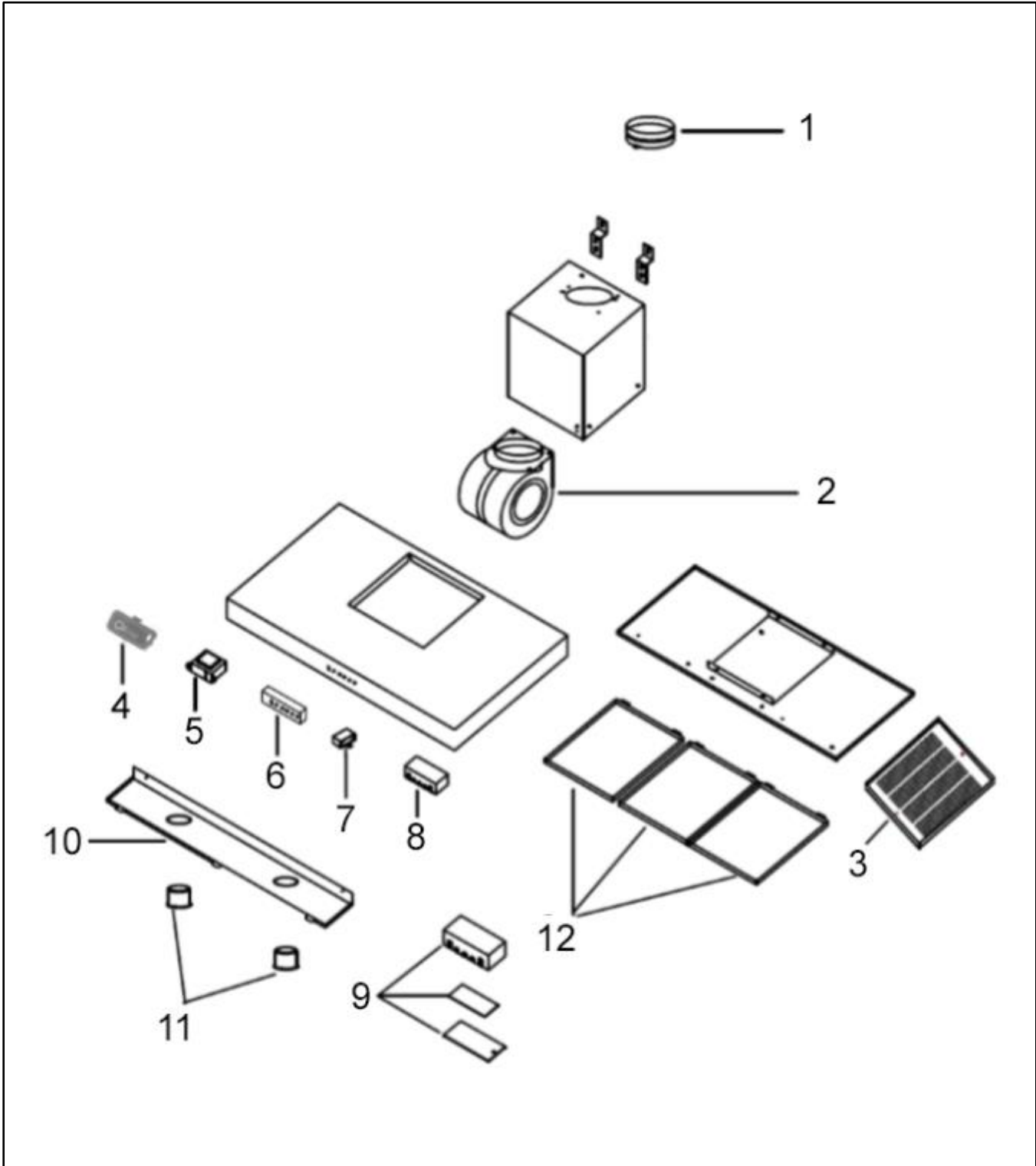


PARTS LIST

MODEL NO.: CH7730SQ6-XX (30")
 CH7736SQ6-XX (36")
 CH7748SQ6-XX (48")

NO.	DESCRIPTION	MODEL / SIZE	PART NO.
1	6" Round Plastic Exhaust		L1-0505-0007
2	Blower System		L1-0320-0120-590RO
3	Stainless Steel Filter		B101-27300-09-M
4	Temperature Sensor		L1-0404-3001-C
5	Motor Transformer		L1-0402-6120-40V
6	Control Unit		L1-0404-F601-A
7	Capacitor x 1PCS		L1-0401-0120-24
8	UV Sensor		L1-0404-F601-C
9	Processor Board		L1-0404-F601-B
10	Light Panel Support	CH7730SQ6-XX	B101-N2730-06
		CH7736SQ6-XX	B101-N2736-06
		CH7748SQ6-XX	B101-N2748-06
11	LED Light (3W)		L1-0403-0301
12	Airflow Efficiency Panel (14-5/8" x 12-7/16")	CH7730SQ6-XX	B101-27900-09-30
	Airflow Efficiency Panel (10-3/8" x 12-7/16")	CH7736SQ6-XX	B101-27900-09-36
	Airflow Efficiency Panel (14-9/16" x 12-7/16")	CH7748SQ6-XX	B101-27900-09-48

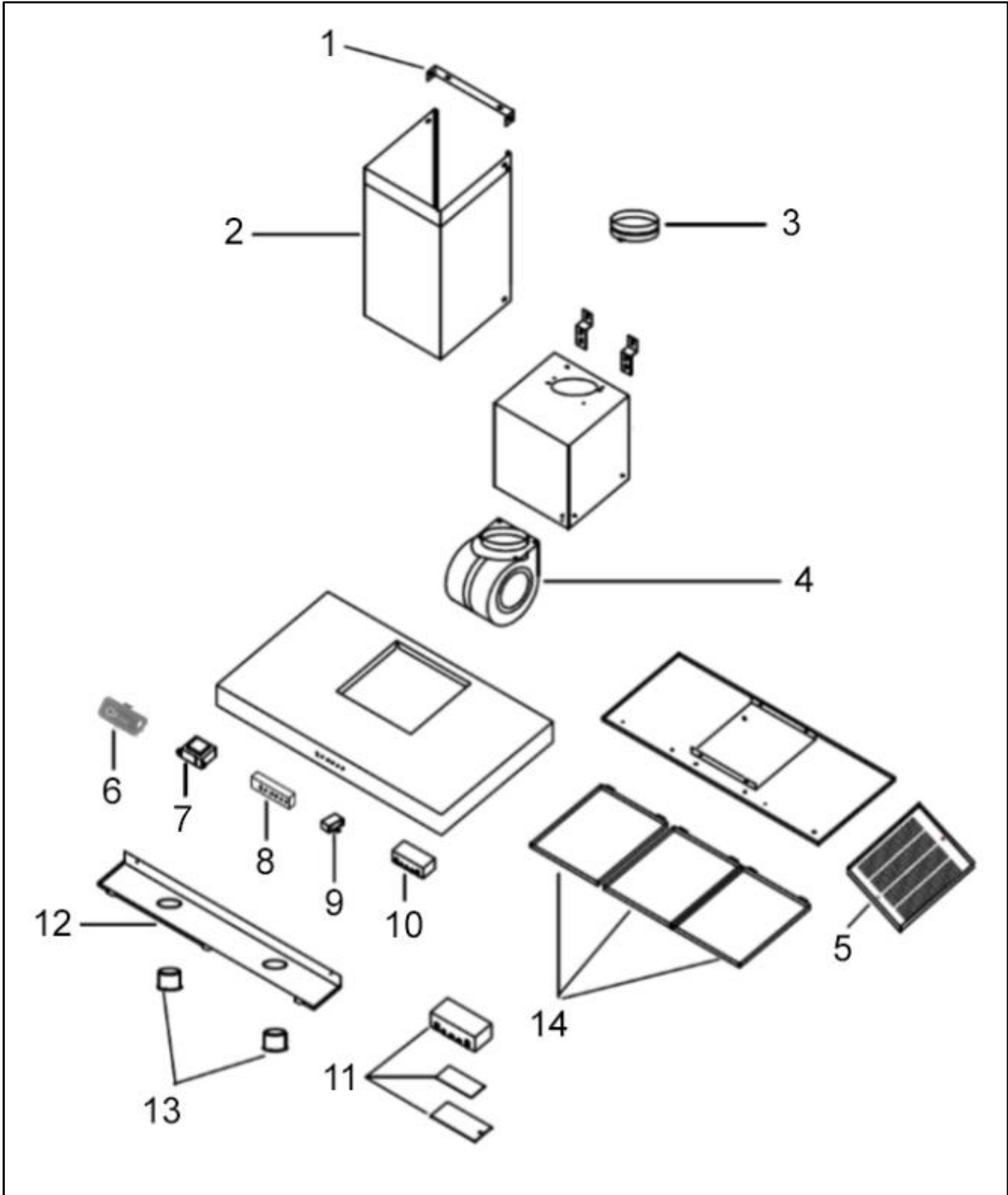
MODEL NO.: CH7730SQ6-XX (30")
CH7736SQ6-XX (36")
CH7748SQ6-XX (48")



MODEL NO.: CH7730SQ6-WM-XX (30")
 CH7736SQ6-WM-XX (36")
 CH7748SQ6-WM-XX (48")

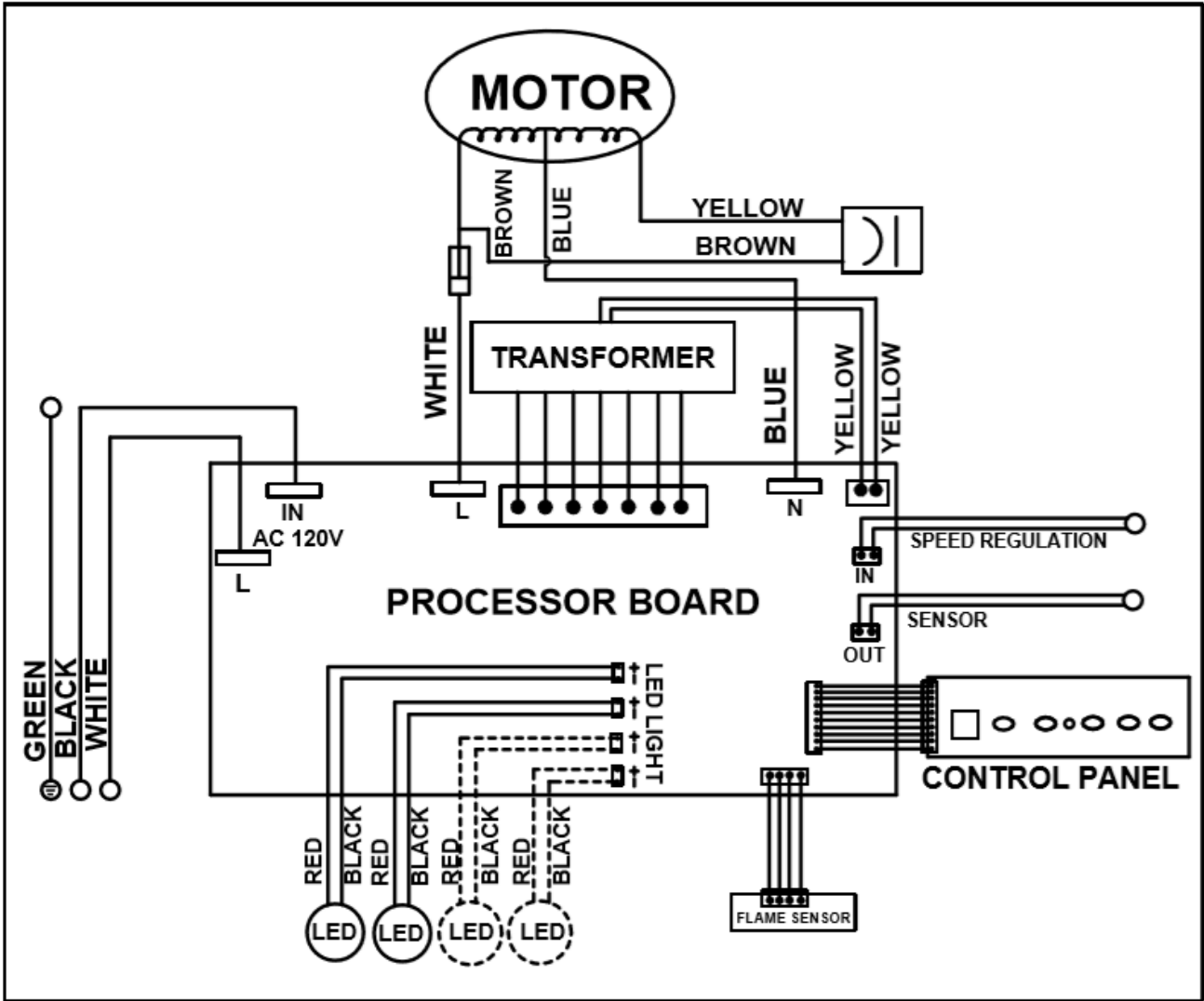
NO.	DESCRIPTION	MODEL / SIZE	PART NO.
1	Duct Cover-Mounting Bracket		L1-0203-0390
2	Duct Cover		12-27900
3	6" Round Plastic Exhaust		L1-0505-0007
4	Blower System		L1-0302-0120-590RO
5	Stainless Steel Filter		B101-27300-09-M
6	Temperature Sensor		L1-0404-3001-C
7	Motor Transformer		L1-0402-6120-40V
8	Control Unit		L1-0404-F601-A
9	Capacitor x 1PCS		L1-0401-0120-24
10	UV Sensor		L1-0404-F601-C
11	Processor Board		L1-0404-F601-B
12	Light Panel Support	CH7730SQ6-WM-XX	B101-N2730-06
		CH7736SQ6-WM-XX	B101-N2736-06
		CH7748SQ6-WM-XX	B101-N2748-06
13	LED Light (3W)		L1-0403-0301
14	Airflow Efficiency Panel (14-5/8" x 12-7/16")	CH7730SQ6-WM-XX	B101-27900-09-30
	Airflow Efficiency Panel (10-3/8" x 12-7/16")	CH7736SQ6-WM-XX	B101-27900-09-36
	Airflow Efficiency Panel (14-9/16" x 12-7/16")	CH7748SQ6-WM-XX	B101-27900-09-48

MODEL NO.: CH7730SQ6-WM-XX (30")
CH7736SQ6-WM-XX (36")
CH7748SQ6-WM-XX (48")



CIRCUIT DIAGRAM

MODEL NO.: CH7730SQ6-XX and CH7730SQ6-WM-XX (30")
 CH7736SQ6-XX and CH7736SQ6-WM-XX (36")
 CH7748SQ6-XX and CH7748SQ6-WM-XX (48")



TROUBLE SHOOTING

Issue	Possible Cause	Solution
After installation, both motors and lights are not working.	The power is not on.	Make sure the circuit breaker and the unit's power is ON. Use a voltage meter to check the power supply.
	The wire connection is not secure.	Check and tighten wire connection.
	The control panel is defective.	Replace the control panel.
Lights are working, but motor(s) is not.	The motor(s) is defective.	Replace the motor(s).
	The capacitor(s) is defective.	Replace the capacitor(s).
	The control panel is defective.	Replace the control panel.
The range hood is vibrating.	The blower system is not secure.	Tighten the turbine impeller/squirrel cage and air chamber.
	The turbine impeller/squirrel cage is not balanced.	Replace the turbine impeller/squirrel cage.
	Hood is not secure in place.	Check the installation of hood, tighten the mounting bracket.
The motor is working, but the lights are not working.	LED light fixture(s) is defective.	Replace LED light fixtures(s).
	The light wiring(s) is loose.	Check wire continuity from Control Panel to LED Driver to LED light fixture(s).
	The control panel or LED light driver is defective.	Replace the control panel or LED light driver.
The range hood is not venting out correctly.	The range hood is installed outside of the manufacture recommended clearance.	Adjust the clearance between the range hood and cook top to 26" to 30". For Island range hood, the clearance between the range hood and cook top is 30" to 36".
	There is no make-up air inside the house.	Open the window to enhance the performance of the range hood by creating a sufficient make-up air.
	Obstacle blocking the pipe work.	Remove all obstacles from the duct work.
	The pipe size is smaller than the suggested pipe size.	Change the ducting according to the manufacture suggestion.
Cold air is coming into the home.	The pipe connection is not properly sealed.	Check the pipe installation.
	The damper is not properly installed or is missing from the installation.	Check the damper installation.
	The damper is not installed.	Installing the damper will help eliminate air backflow.

WARRANTY

WARRANTY CERTIFICATE

In order to obtain warranty service, you must provide proof of original purchase from a KOBE authorized Dealer. Please keep a copy of your original invoice as proof of purchase.

TWO-YEAR LIMITED LABOR WARRANTY ON KOBE PREMIUM SERIES:

For two years from the date of your original invoice from a KOBE authorized dealer, we will repair any parts or components free of charge that failed due to manufacturing defects. KOBE reserves the right to replace, rather than repair the product free of charge at our sole discretion.

It is your sole responsibility to ensure the product is readily accessible for the service technician to perform repairs. **The service technician will not, under any circumstance, remove, alter or modify any fixture built around and/or connected to the product to gain access to perform repairs.**

TWO-YEAR LIMITED PARTS WARRANTY ON KOBE PREMIUM SERIES:

For two years from the date of your original invoice from a KOBE authorized dealer, we will provide non-consumable replacement parts or components free of charge that failed due to manufacturing defects. Consumable parts such as light bulbs, filters, fuses, and oil cups are not covered by this warranty.

WHAT IS COVERED:

This warranty is valid in the United States and Canada. It is non-transferable and applies only to the original purchaser and does not extend to subsequent owner of this product. In Hawaii, Alaska and Canada, this warranty is limited. There may be additional shipping charges for parts and service technician travel costs in remote areas or locations 30 miles outside of KOBE authorized service area.

WHAT IS NOT COVERED:

1. Normal wear and tear, regular service and maintenance required for the product.
2. Consumable parts such as light bulbs, filters, fuses, and oil cups.
3. Chips, scratches or dents due to abuse or misuse of the product, use of corrosive and abrasive cleaning products.
4. Damages caused by accident, fire, flood and other Acts of God.
5. Services in remote areas or locations 30 miles outside of KOBE authorized service area.
6. Labor cost incurred in connection with the removal of range hood, and reinstallation of replacement range hood, nor does it cover any other contingent expenses.
7. Scratches inside the hood, back of the baffle filter, and inside the duct cover.

THIS WARRANTY WILL BE VOIDED BY:

1. Improper installation and failure to follow installation instructions.
2. Any repair, alternation, modification not authorized by KOBE.
3. Duct alternation, modification and connection.
4. Incorrect electric current, voltage or wiring.
5. Improper usage of the product such as commercial, outdoor or other usage other than residential indoor usage.
6. Purchasing this product from an unauthorized KOBE dealer.
7. Damaging the product due to negligence, misuse, abuse or accident.

If we determine that the warranty exclusions listed above applies or if you fail to provide all necessary documentation for warranty service, you will be responsible for all expense associated with the requested service, including parts, labor, shipping, travelling, and any other expense related to the service request.

TO REQUEST WARRANTY SERVICE, PLEASE CONTACT KOBE RANGE HOODS SERVICE CENTER:

For the 48 contiguous states:

Email (best): customer.service@koberangehoods.com

Phone: 1-626-775-8880

Toll Free: 1-877-BUY-KOBE (289-5623)

From Alaska, Hawaii, and Canada:

Email (best): customer.service@koberangehoods.com

Phone: 1-626-775-8880

WARRANTY INFORMATION FORM

Fill in the blanks and keep this paper with the **original invoice** in a safe place for future service purpose.

1. Date of purchase : _____

2. Model No. : _____

3. Serial No. : _____

For warranty service or spare parts purchase in US, contact:

KOBE Service Center

Email (best): customer.service@koberangehoods.com

Phone: 1-626-775-8880

Toll Free: 1-877-BUY-KOBE (289-5623)

For warranty service or spare parts purchase in Canada, contact:

Email (best): customer.service@koberangehoods.com

Phone: 1-626-775-8880



KOBE Range Hoods
11775 Clark Street
Arcadia, CA 91006 USA

www.koberangehoods.com

This KOBE hood is made for use in the USA and CANADA only. We do not recommend using this hood overseas as the power supply may not be compatible and may violate the electrical code of that country. **Using a KOBE hood overseas is at your own risk and will void your warranty.**

Cette hotte KOBE est fabriquée pour usage aux États-Unis et au Canada seulement. Il n'est pas recommandé d'utiliser cette hotte à l'étranger puisque l'alimentation électrique pourrait ne pas être compatible et enfreindre le code de l'électricité de ce pays. **L'usage de la hotte KOBE à l'étranger est à votre propre risque et la garantie sera annulée.**

Esta campana de extracción KOBE ha sido fabricada para ser utilizada únicamente en EE.UU. y CANADÁ. No recomendamos la utilización de esta campana en el extranjero debido a que la fuente de energía podría no ser compatible y podría violar el código eléctrico de dicho país. **Utilizar una campana KOBE en el extranjero será a su propio riesgo y anulará la garantía.**

VER. 190718

Information subject to change without notice.