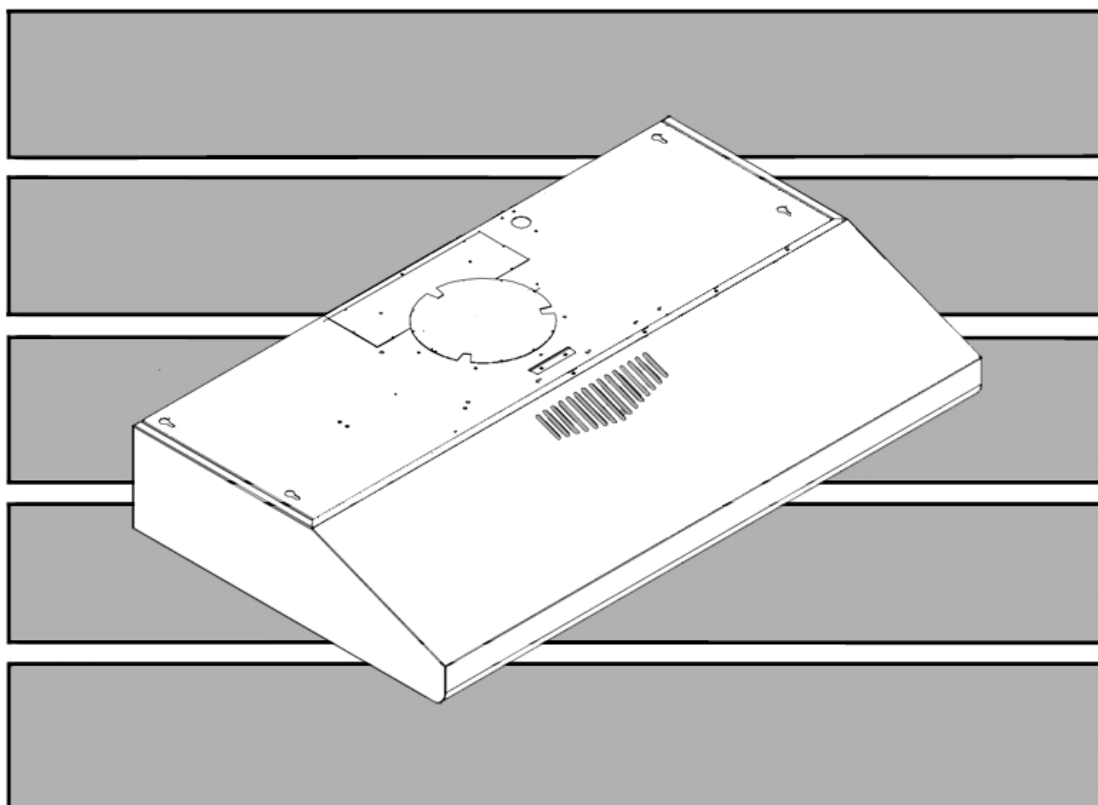


KOBE® KOBE Range Hoods

Brillia Series

CHX30 Series (290 CFM with CFL Lights)



INSTALLATION INSTRUCTIONS
AND OPERATION MANUAL

IMPORTANT READ THIS FIRST

READ BEFORE INSTALLATION

1. Carefully check all contents of packages.
2. Thoroughly inspect the unit for any shipping damages, cosmetic damages or defects.
3. Have a certified contractor/electrician test the unit before installation.

IF THERE IS ANY PROBLEM:

1. **DO NOT INSTALL THE UNIT AND KEEP ALL ORIGINAL PACKAGING MATERIAL.**
2. Have your original invoice as proof of purchase and product serial number ready.
3. Contact your merchant for product replacement due to shipping damages, cosmetic damages or defects.
4. For all other issues, email customer.service@koberangehoods.com or call 1-626-775-8880 ext. 103, toll free 1-877-289-5623.

NO RETURN, NO REFUND, NO EXCHANGE IF:

1. PRODUCT HAS BEEN INSTALLED
2. KNOCK-OUT HOLES HAVE BEEN PUNCTURED
3. MISSING ORIGINAL PACKAGING MATERIAL
AND/OR PARTS

[ENGLISH]

- READ AND SAVE THESE INSTRUCTIONS -

CONTENTS

IMPORTANT SAFETY INSTRUCTIONS	1
COMPONENTS OF PACKAGE.....	3
INSTALLATION	4
OPERATING INSTRUCTIONS.....	9
MAINTENANCE	10
SPECIFICATIONS	11
MEASUREMENTS & DIAGRAMS.....	12
PARTS LIST.....	14
CIRCUIT DIAGRAM.....	16
TROUBLE SHOOTING	17
WARRANTY	18
WARRANTY INFORMATION FORM.....	20

- READ ALL INSTRUCTIONS CAREFULLY BEFORE STARTING -

ALL WIRING MUST BE DONE BY A PROFESSIONAL AND IN ACCORDANCE WITH NATIONAL AND LOCAL ELECTRICAL CODES

IMPORTANT SAFETY INSTRUCTIONS

- PLEASE READ THIS SECTION CAREFULLY BEFORE INSTALLATION -

⚠WARNING: TO REDUCE THE RISK OF FIRE, ELECTRIC SHOCK OR PERSONAL INJURY, OBSERVE THE FOLLOWING:

- 1) Installation and electrical wiring must be done by qualified professionals and in accordance with all applicable codes and standards, including fire-rated construction.
- 2) When cutting or drilling into wall or ceiling, be careful not to damage electrical wiring or other hidden utilities.
- 3) Ducted fans must be vented to the outside.
 - a) Before servicing or cleaning unit, open the light panel and SWITCH POWER OFF AT SERVICE PANEL.
 - b) Clean all grease laden surfaces frequently. To reduce the risk of fire and to disperse air properly, make sure to vent air outside. DO NOT vent exhaust air into wall spaces, attics, crawl spaces or garages.

- NOTE - This warranty is void without an authorized agent's receipt or if unit is damaged due to misuse, poor installation, improper use, mistreatment, negligence or any other circumstances beyond the control of KOBE authorized agents. Any repair carried out without the supervision of KOBE authorized agents will automatically void the warranty.
- KOBE will not be held responsible for any damages to personal property or real estate or any bodily injuries whether caused directly or indirectly by the range hood.

⚠WARNING: TO REDUCE THE RISK OF PERSONAL INJURY IN THE EVENT OF A RANGE TOP GREASE FIRE:

1. Keep all fan, baffle/spacer/filter/oil tunnel/oil container and grease-laden surfaces clean. Grease should not be allowed to accumulate on fan, baffle/spacer/filter/oil tunnel/oil container.
2. Always turn hood ON when cooking.
3. Use high settings on cooking range ONLY when necessary.
4. Do not leave cooking range unattended when cooking.
5. Always use cookware and utensils appropriate for the type and amount of food prepared.
6. Use this unit only in the manner intended by the manufacturer.
7. Before servicing, switch power off at service panel and lock service panel (if possible) to prevent power from switching on accidentally.
8. Clean ventilating fan frequently.

What to Do In The Event Of a Range Top Grease Fire

- SMOTHER FLAMES with a tight fitting lid, cookie sheet, or metal tray, and then turn off the burner. KEEP FLAMMABLE OR COMBUSTIBLE MATERIAL AWAY FROM FLAMES. If the flames do not go out immediately, EVACUATE THE AREA AND CALL THE FIRE DEPARTMENT or 911.
- NEVER PICK UP A BURNING PAN – You May Get Burned.
- DO NOT USE WATER, including wet dishcloths or towels – a steam blast will result.
- Use an extinguisher ONLY if:
 - a) You have a Class A, B, C extinguisher and know how to operate it.
 - b) The fire is small and contained in the area where it started.
 - c) The fire department has been called.
 - d) You can fight the fire with your back to an exit.

What to Do If You Smell Gas

- Extinguish any open flame.
- Do not try to turn on the lights or any type of appliance.
- Open all doors and windows to disperse the gas. If you still smell gas, call the Gas Company and Fire Department right away.

CAUTION

- 1) For general ventilation use only. Do not use to exhaust hazardous or explosive materials and vapors.
- 2) To reduce the risk of fire, use only metal ductwork. Sufficient air is needed for proper combustion and exhausting of gases through the flue (chimney) to prevent back drafting.
- 3) Follow the heating equipment manufacturer's guideline and safety standards such as those published by the National Fire Protection Association (NFPA), and the American Society for Heating, Refrigeration and Air Conditioning Engineers (ASHRAE), and code authorities.
- 4) Activating any switch on may cause ignition or an explosion.
- 5) Due to the size and weight of this hood, installation by 2 persons is recommended.

WARNING



ELECTRICAL SHOCK HAZARD – Can result in serious injury or death. Disconnect appliance from electric power before servicing. If equipped, the fluorescent light bulb contains small amounts of mercury, which must be recycled or disposed of according to Local, State, and Federal Codes.

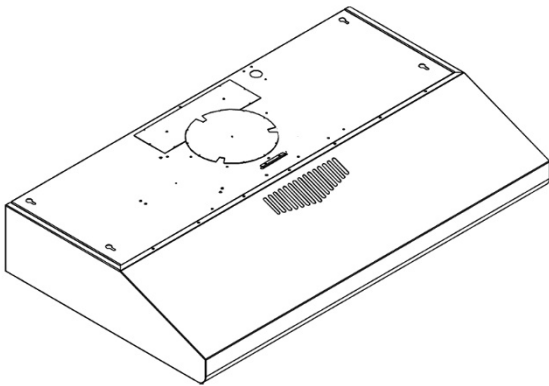
COMPONENTS OF PACKAGE

(Must keep all material for returns or refunds)

Range Hood Box

- {A} KOBE Range Hood – 1
- {B} Warranty Registration Card – 1
- {C} Instructional Manual – 1
- {D} Round Exhaust Plate with damper – 1
- {E} Rectangular Exhaust Plate with damper – 1
- {F} Light bulb – 1
- {G} Parametric Panel – 1

{A}



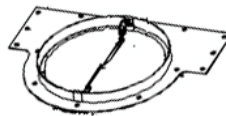
{B}

WARRANTY REGISTRATION CARD	
NAME (LAST, FIRST, MIDDLE): _____	
ADDRESS:	CITY: _____
STATE: _____	ZIP: _____
PHONE: _____	MODEL NUMBER: _____
DATE OF PURCHASE: _____	DATE OF INSTALLATION: _____
INSTALLER'S NAME: _____	INSTALLER'S PHONE: _____
INSTALLATION TYPE: _____	
INSTALLATION LOCATION: _____	
INSTALLATION DATE: _____	
INSTALLER'S SIGNATURE: _____	
INSTALLER'S TITLE: _____	
INSTALLER'S COMPANY: _____	
INSTALLER'S PHONE: _____	
INSTALLER'S FAX: _____	
INSTALLER'S E-MAIL: _____	
INSTALLER'S WEBSITE: _____	
INSTALLER'S SOCIAL MEDIA: _____	
INSTALLER'S OTHER CONTACT INFORMATION: _____	
INSTALLER'S PHOTO: _____	
INSTALLER'S VIDEO: _____	
INSTALLER'S AUDIO: _____	
INSTALLER'S OTHER: _____	

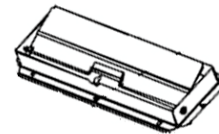
{C}



{D}



{E}



{F}



{G}



◆ FOR MORE INFORMATION, PLEASE VISIT OUR WEBSITE www.koberangehoods.com OR CONTACT KOBE RANGE HOODS AT (626) 775-8880.

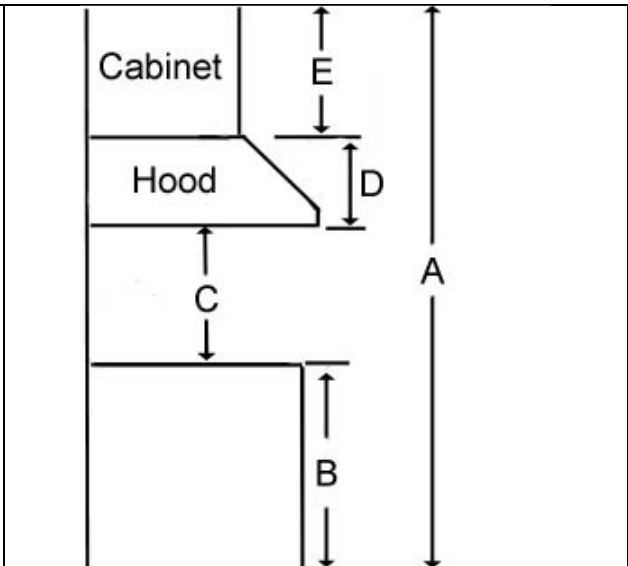
INSTALLATION

PLEASE READ ENTIRE INSTRUCTIONS BEFORE PROCEEDING

Calculation before Installation

To calculate installation, please refer to TABLE 1. (All calculation in inches.)

- FOR UNDER THE CABINET -

<p>TABLE 1</p> <p>A = Height of Floor to Ceiling B = Height of Floor to Counter Top (Standard: 36") C = Preferred Height of Counter Top to Hood Bottom (Recommended 27" to 30") D = Height of Hood E = Height of the Cabinet</p>	
--	---

⚠ SAFETY WARNING

HOOD MAY HAVE VERY SHARP EDGES; PLEASE WEAR PROTECTIVE GLOVES IF REMOVING ANY PARTS FOR INSTALLING, CLEANING OR SERVICING.

NOTE: BE CAREFUL WHEN USING ELECTRICAL SCREWDRIVER, DAMAGE TO THE HOOD MAY OCCUR.

Preparation before Installation

NOTE: TO AVOID DAMAGE TO YOUR HOOD, PREVENT DEBRIS FROM ENTERING THE VENT OPENING.

- Decide the location of the venting pipe from the hood to the outside. Refer to Figure 1.
- A straight, short venting run will allow the hood to perform more efficiently.
- Try to avoid as many transitions, elbows, and long run as possible. This may reduce the performance of the hood.
- Temporarily wire the hood to test for proper operation before installing.
- Important: Peel protective film off the hood (if any).
- For installing under the cabinet with recessed bottom, attach 4-inch wide wood filler strips (not included) on each side. Refer to Figure 2.
- Using reference on Page 12 and 13 to measure and create access opening for electrical wires and exhaust under the cabinet {refer to Vent Option Installation on 7}. Refer to Figure 3.
- Using reference on Page 12 and 13 to position the mounting screws (not included) underneath the cabinet. Refer to Figure 4.

Install Lights before mounting hood

To install the light fixture:

- Insert the light fixture into the socket and turn it clockwise to secure the light fixture.

Figure 1

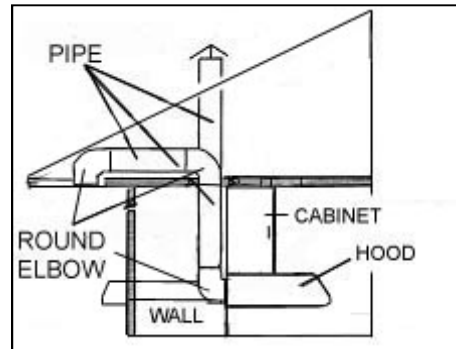


Figure 2

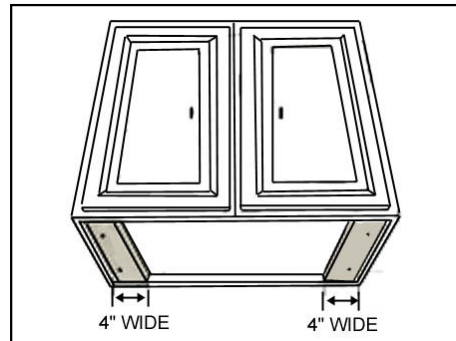


Figure 3

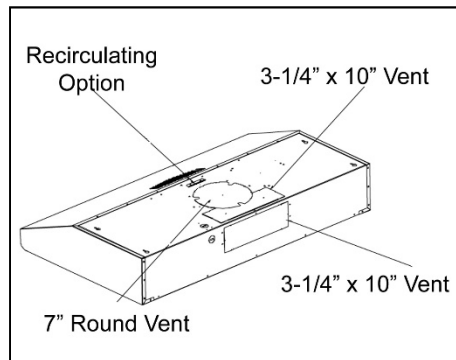
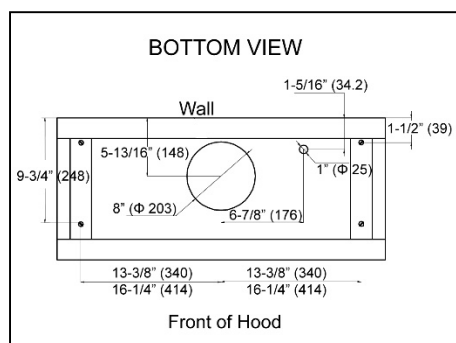


Figure 4



Vent option installation

1. Choose the require vent option.
NOTE: If the hood is to be installed as ductless application, please do not remove any duct knockout located at the top or the back of the hood:
2. For 7" Round vent installation only:
 - Using a flat-head screwdriver to remove the 7" duct knockout. (Refer to Figure 5)
 - Attached the 7" exhaust plate using 8 screws (provided). Refer to Figure 6.
3. For 3-1/4" x 10" vent installation only:
 - Using a flat-head screwdriver to remove the top OR the rear 3-1/4" x 10" duct knockout. (Refer to Figure 7)
 - Attached the 3-1/4" x 10" exhaust plate using 6 screws (provided). Refer to Figure 8 for Top Vent OR Figure 9 for Rear Vent.
4. For ductless installation only:
 - Remove the recirculating plate located at the top of the hood, refer to Figure 10.
 - Reinstall the recirculating plate horizontally as shown in Figure 11.

Figure 5

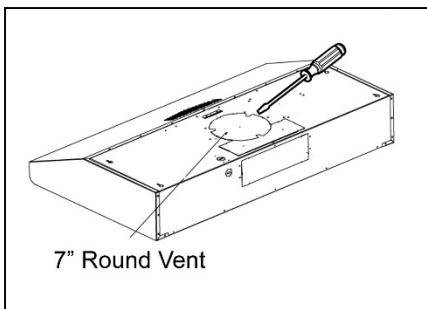


Figure 6

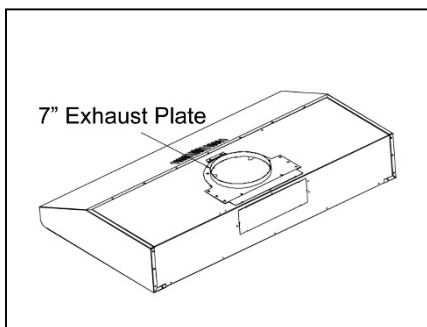


Figure 7

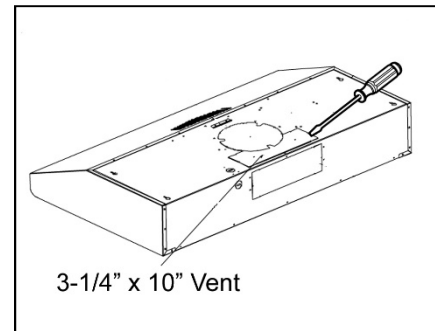


Figure 8

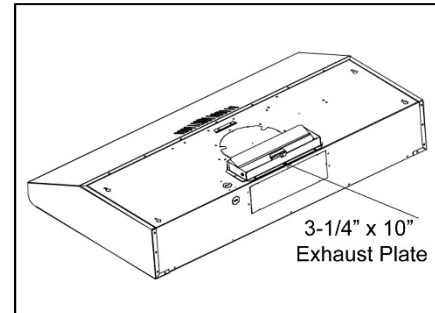


Figure 9

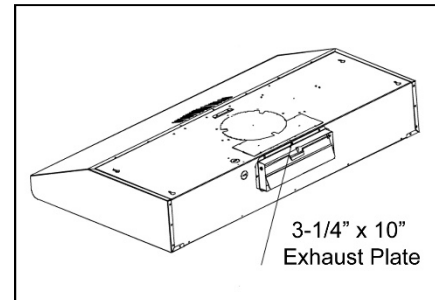


Figure 10

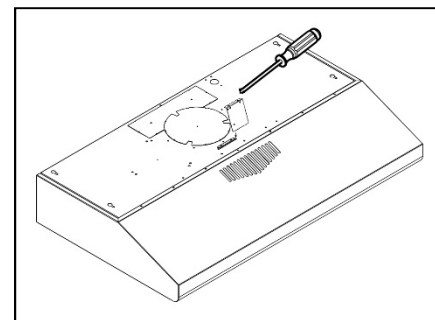
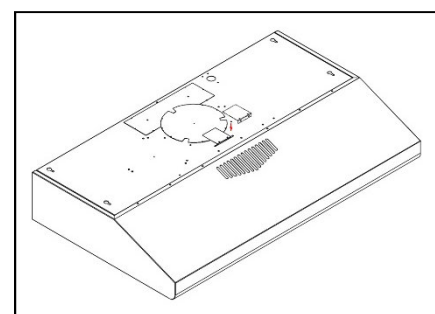


Figure 11



Wiring to Power Supply

⚠ SAFETY WARNING

RISK OF ELECTRICAL SHOCK. THIS RANGE HOOD MUST BE PROPERLY GROUNDED. MAKE SURE THIS IS DONE BY SPECIALIZED ELECTRICIAN IN ACCORDANCE WITH ALL APPLICABLE NATIONAL AND LOCAL ELECTRICAL CODES. BEFORE CONNECTING WIRES, SWITCH POWER OFF AT SERVICE PANEL AND LOCK SERVICE PANEL TO PREVENT POWER FROM BEING SWITCHED ON ACCIDENTALLY.

5. Connect the electrical wires.
 - Connect three wires (black, white and green) to house wires and cap with wire connectors. Connect according to color: black to black, white to white, and green to green.

Hood Installation

⚠ CAUTION: If required to move the cooking range to install the hood, turn off the power on an electric range at the main electrical box. **SHUT OFF THE GAS BEFORE MOVING A GAS RANGE.**

6. Align screws with the mounting holes on top of the range hood, and push toward the wall to secure the unit in place. Refer to Figure 12 and Figure 13.

Figure 12

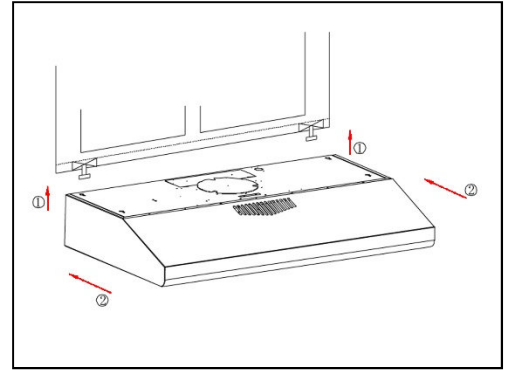
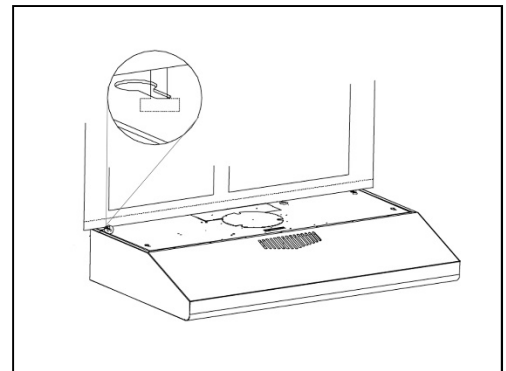


Figure 13



Final Assembly

7. To install the parametric panel:
 - Align the parametric panel at the back of the unit. Refer to Figure 14.
 - Push the unit upward, and slide the parametric panel forward into the notch to secure the panel. Refer to Figure 15.
 - Flip the parametric panel upward until it clicks into place. Refer to Figure 16.

CAUTION: MAKE SURE THE PARAMETRIC PANEL IS SECURE BEFORE RELEASING.

8. Turn power ON in control panel. Check all lights and fan operation.
9. Make sure to leave this manual for the homeowner.

Figure 14

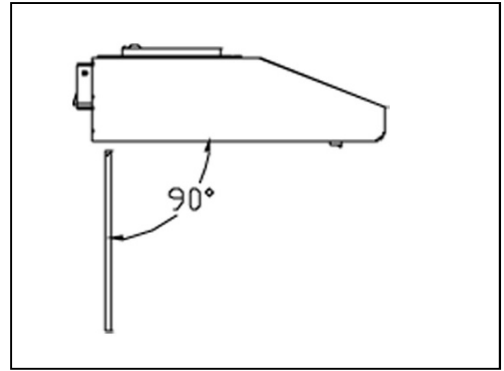


Figure 15

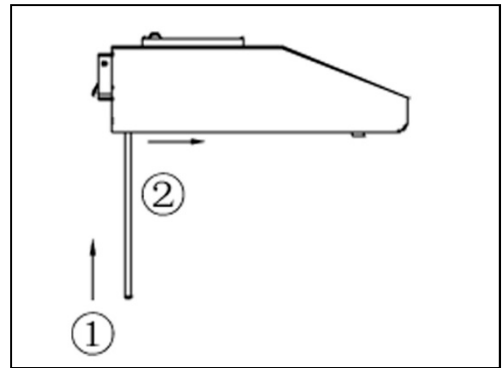
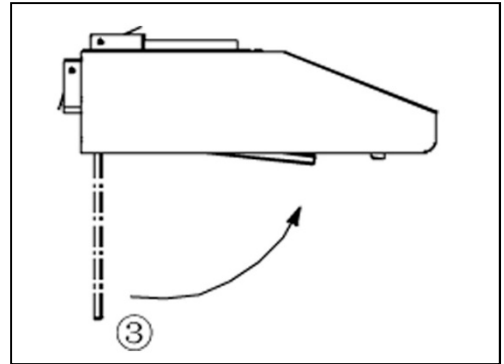
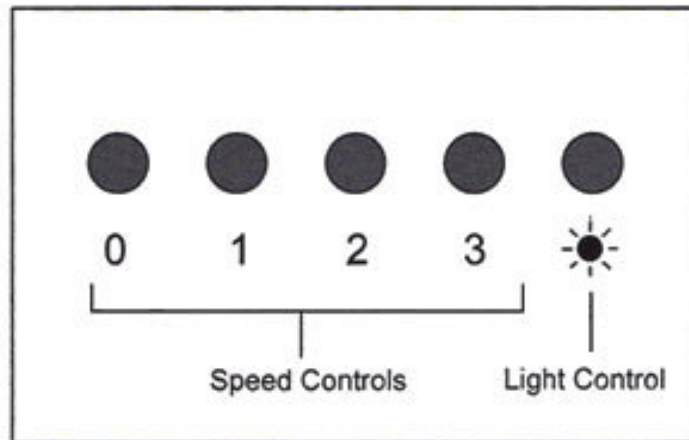


Figure 16



OPERATING INSTRUCTIONS



Note: For best results, turn fan on prior to any preparation or cooking and keep fans running while cooking. Adjust speed as needed.

To operate the fan function

- Press button to choose from speed.
 - 1 = Low speed
 - 2 = Medium speed
 - 3 = High speed
- Press "0" to turn fan off.

To operate the light function

- Press the Light Control to turn lights on and off.

MAINTENANCE

SAFETY WARNING

NEVER PUT YOUR HAND INTO AREA HOUSING THE FAN WHILE THE FAN IS OPERATING.

Cleaning Hood Surface

CAUTION: NEVER USE ABRASIVE CLEANERS, PADS, OR CLOTHS. DO NOT USE PAPER TOWEL ON STAINLESS STEEL.

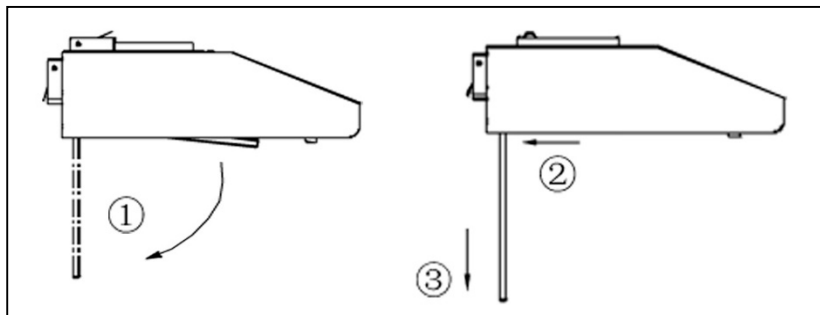
For optimal operation, clean range hood and all baffle/spacer/filter/oil tunnel/oil container regularly.

***Regular care will help preserve the appearance of the hood.

1. Use only mild soap or detergent solutions. Dry surfaces using soft cloth.
2. If hood looks splotchy (stainless steel hood), use a stainless steel cleaner to clean the surface of the hood. Avoid getting cleaning solution onto or into the control panel. Follow directions of the stainless steel cleaner. **Caution: Do not leave on too long as this may cause damage to hood finish.** Use soft towel to wipe off the cleaning solution, gently rub off any stubborn spots. Use dry soft towel to dry the hood.
3. DO NOT allow deposits to accumulate or remain on the hood.
4. DO NOT use ordinary steel wool or steel brushes. Small bits of steel may adhere to the surface and cause rusting.
5. DO NOT allow salt solutions, disinfectants, bleaches, or cleaning compounds to remain in contact with stainless steel for extended periods. Many of these compounds contain chemicals, which may be harmful. Rinse with water after exposure and wipe dry with a clean lint free cloth.

To Clean Filter

CAUTION: CLEAN FILTER AND PARAMETRIC PANEL PERIODICALLY.



1. Remove parametric panel and aluminum filters.
2. Using a sponge, wash with warm soapy water. Dry completely before returning into place.

NOTE: MAKE SURE THE PARAMETRIC PANEL IS SECURE BEFORE RELEASING.

SPECIFICATIONS

SERIES	CHX30 Series (290 CFM-CFL)		
CONSUMPTION / AMPERE	0.88 Ampere		
VOLTAGE	120V 60Hz		
NUMBER OF MOTORS	1		
DESIGN	20-Gauge Seamless / Satin Finish With Glass Parametric panel		
EXHAUST	Top 7" Round with damper Top 3-1/4" x 10" Rectangular with damper Rear 3-1/4" x 10" Rectangular with damper Ductless (required Optional Recirculating Kit RDX0030)		
CONTROLS	Push Button control system		
LIGHTS	7-watt CFL light x 2		
HOOD DIMENSION (W x D x H)	30" models – 29-3/4" x 21" x 6"		
WEIGHT (lbs)	30"	<u>Net</u> 35	<u>Gross</u> 42
SPEED	<u>Low</u>	<u>Medium</u>	<u>High</u>
Air Capacity (cfm)	124	200	290
Sone	2.0	4.0	5.0

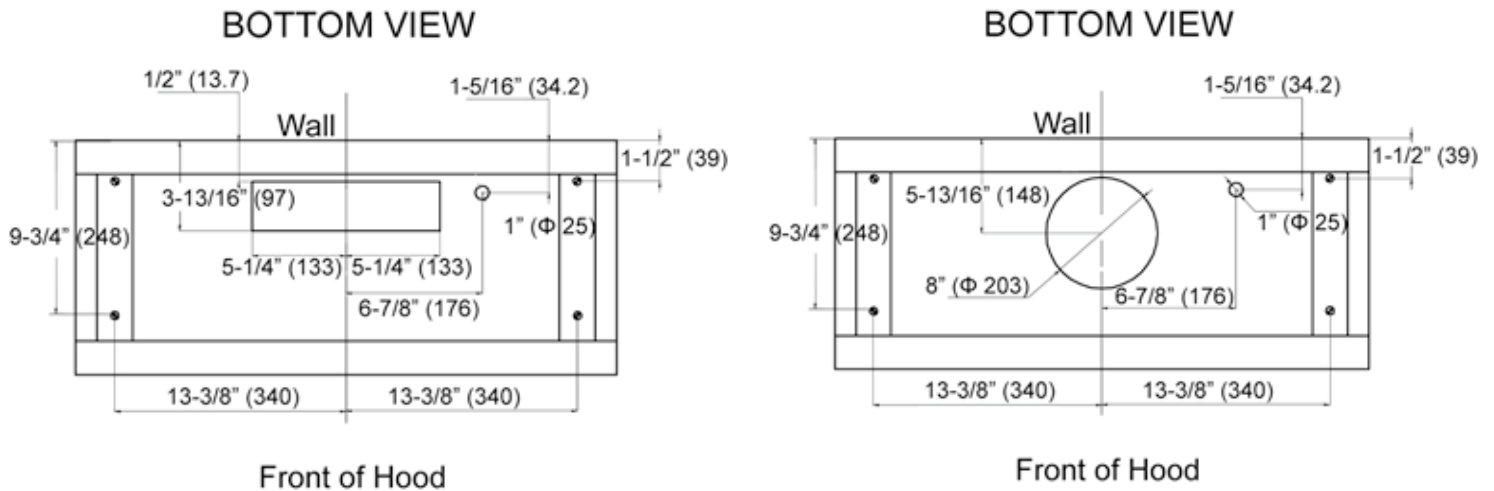
**Specifications subject to change without notice.

MEASUREMENTS & DIAGRAMS

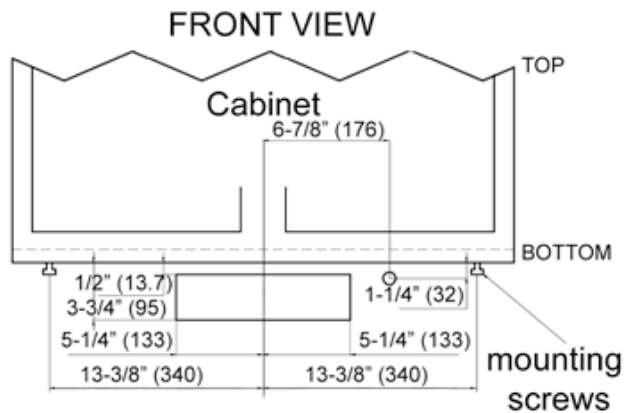
*** All inch measurements are converted from millimeters. Inch measurements are estimated.

*** All measurements in () are millimeters.

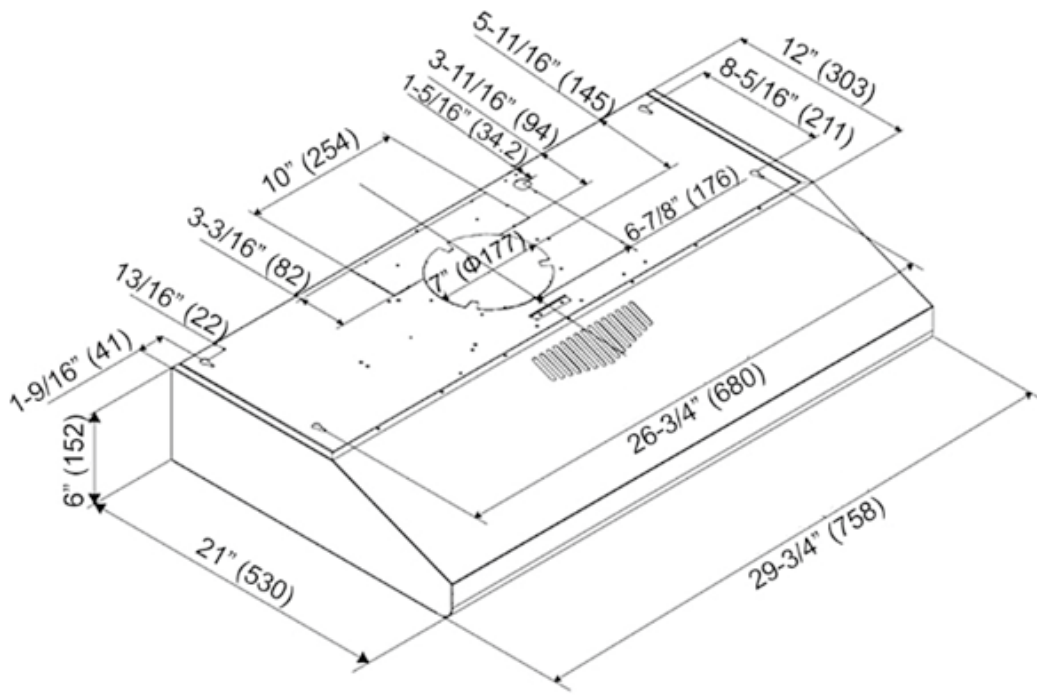
- FOR TOP VENTING -



- FOR REAR VENTING -



- DIMENSIONS OF THE MODEL -

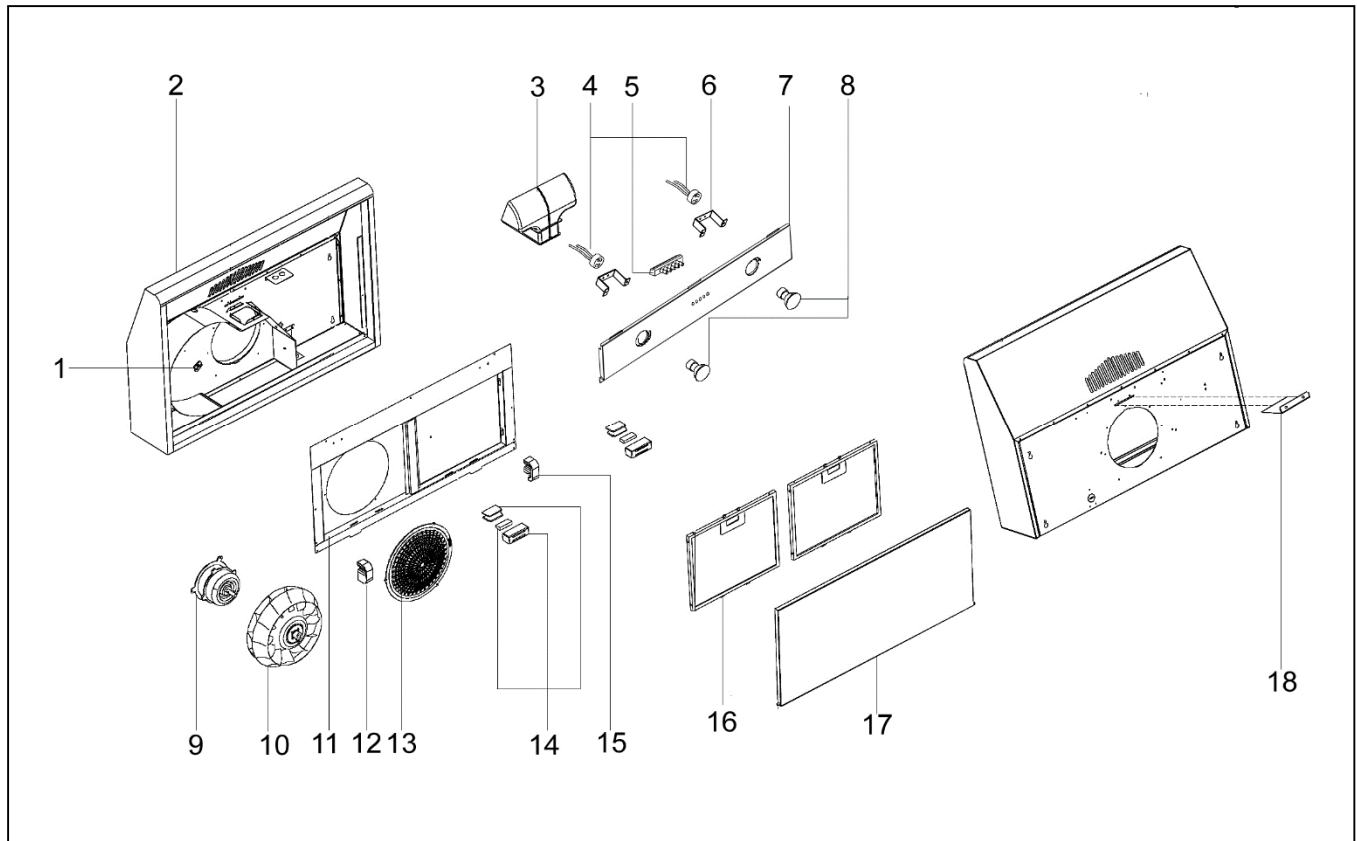


PARTS LIST

SERIES: CHX30 SERIES (290 CFM)

NO.	DESCRIPTION	MODEL /SIZE	PART NO.
1	Motor Mounting Plate		Y21-2355-P
2	Hood Frame	CHX3030PD (30")	Y20-1248-Q
3	Recirculating Box		Y36-0228
4	Light socket		GF F005-00000
5	Push Button Control		Y50-0087
6	Light Support		Y20-1273-P
7	Light / Control Panel	CHX3030PD (30")	Y20-1278-Q
8	Light fixture	For CFL lighting system	Y53-0441
9	Motor		Y54-0005 Y54-0005-1
10	Turbine Impeller		Y23-0049
11	Bottom Casing	CHX3030PD (30")	Y21-2743-6
12	Parametric Panel support clip (Left)		Y23-0041
13	Safety Screen		Y36-0227
14	Magnetic Mechanism		Y23-0040
15	Parametric Panel support clip (Right)		Y23-0042
16	Aluminum Filter		Y23-0043
17	Parametric Panel	Glass Parametric Panel (30")	PPG30
18	Recirculating Panel		Y21-2732-P

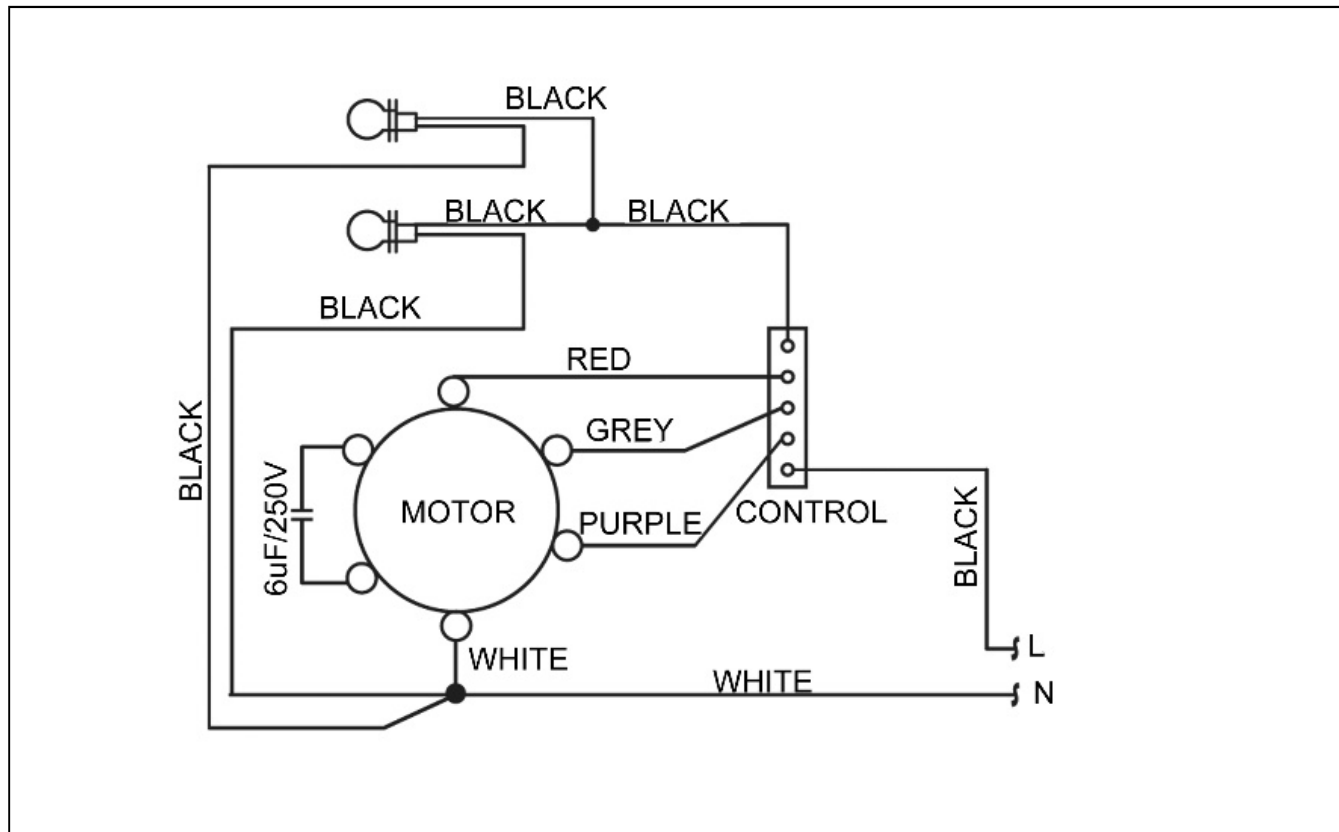
PART DIAGRAM FOR CHX30 SERIES (290 CFM)



CIRCUIT DIAGRAM

SERIES: CHX30 SERIES (290 CFM)

For models equipped with Push Control:



TROUBLE SHOOTING

Issue	Possible Cause	Solution
After Installation, both motors and lights are not working.	The power is not on.	Make sure the circuit breaker and the unit's power is ON. Use a voltage meter to check the power supply.
	The wire connection is not secure.	Check and tighten wire connection.
	The control panel is defective.	Replace the control panel.
Lights are working, but motor is not.	The motor is defective.	Replace the motor.
	The capacitor is defective.	Replace capacitor.
	The control panel is defective.	Replace the control panel or processing board.
The range hood is vibrating.	The blower system is not secure.	Tighten the turbine impeller/squirrel cage and air chamber.
	The turbine impeller/squirrel cage is not balanced.	Replace the turbine impeller/squirrel cage.
	Hood is not secured in place.	Check the installation of hood, tighten the mounting bracket.
The motor is working, but the lights are not working.	Light bulb(s) is defective.	Try replacing the trouble light bulb(s) to a working socket, if the bulb(s) still doesn't work; replace the halogen light bulb(s).
	The light wiring(s) is loose.	Check wire continuity from control panel to light housing(s).
	The control panel is defective.	Replace the control panel.
The range hood is not venting out correctly.	The range hood is installed outside of the manufacturer recommended clearance.	Adjust the clearance, the distance between the range hoods and cool top, from 27" to 30".
	There is no make-up air inside the house.	Open the window to enhance the performance of the range hood by creating sufficient make-up air.
	Obstacle blocking the pipe work	Remove all obstacles from the duct work.
	The pipe size is smaller than the suggested pipe size.	Change the ducting according to the manufacturer suggestion.
Cold air is coming into the home.	The pipe connection is not properly sealed.	Check the pipe installation.

WARRANTY

WARRANTY CERTIFICATE

In order to obtain warranty service, you must provide proof of original purchase from a KOBE authorized Dealer. Please keep a copy of your original invoice as proof of purchase.

ONE-YEAR LIMITED LABOR WARRANTY ON KOBE BRILLIA SERIES:

For one year from the date of your original invoice from a KOBE authorized dealer, we will repair any parts or components free of charge that failed due to manufacturing defects. KOBE reserves the right to replace, rather than repair the product free of charge at our sole discretion.

It is your sole responsibility to ensure the product is readily accessible for the service technician to perform repairs. **The service technician will not, under any circumstance, remove, alter or modify any fixture built around and/or connected to the product to gain access to perform repairs.**

TWO-YEAR LIMITED PARTS WARRANTY ON KOBE BRILLIA SERIES:

For two years from the date of your original invoice from a KOBE authorized dealer, we will provide non-consumable replacement parts or components free of charge that failed due to manufacturing defects. Consumable parts such as lights bulbs, filters, fuses, and oil cups are not covered by this warranty.

WHAT IS COVERED:

This warranty is valid in the United States and Canada. It is non-transferable and applies only to the original purchaser and does not extend to subsequent owner of this product. In Hawaii, Alaska and Canada, this warranty is limited. There may be additional shipping charges for parts and service technician travel costs in remote areas or locations 30 miles outside of KOBE authorized service area.

WHAT IS NOT COVERED:

1. Normal wear and tear, regular service and maintenance required for the product.
2. Consumable parts such as light bulbs, filters, fuses, and oil cups.
3. Chips, scratches or dents due to abuse or misuse of the product, use of corrosive and abrasive cleaning products.
4. Damages caused by accident, fire, flood and other Acts of God.
5. Services in remote areas or locations 30 miles outside of KOBE authorized service area.
6. Labor cost incurred in connection with the removal of range hood, and reinstallation of replacement range hood, nor does it cover any other contingent expenses.
7. Scratches inside the hood, back of the baffle filter, and inside the duct cover.

THIS WARRANTY WILL BE VOIDED WHEN:

1. Improper installation and failure to follow installation instructions.
2. Any repair, alteration, modification not authorized by KOBE.
3. Duct alteration, modification and connection.
4. Incorrect electric current, voltage or wiring.
5. Improper usage of the product such as commercially, outdoor or other usage other than its intended purpose which is residential indoor usage only.

6. Product is purchased from an unauthorized KOBE dealer.
7. Product is damaged due to negligence, misuse, abuse, accident.

If we determine that the warranty exclusions listed above applies or if you fail to provide all necessary documentation for warranty service, you will be responsible for all expenses associated with the requested service, including parts, labor, shipping, travelling, and any other expense related to the service request.

TO REQUEST WARRANTY SERVICE, PLEASE CONTACT KOBE RANGE HOODS SERVICE CENTER:

From the 48 contiguous states:

Email (best): customer.service@koberangehoods.com

Phone: 1-626-775-8880 ext. 103

Toll Free: 1-877-BUY-KOBE (289-5623)

From Alaska, Hawaii, and Canada:

Email (best): customer.service@koberangehoods.com

Phone: 1-626-775-8880 ext. 103

WARRANTY INFORMATION FORM

Fill in the blanks and keep this paper with the **original invoice** in a safe place for future service purpose.

1. Date of purchase : _____

2. Model No. : _____

3. Serial No. : _____

For warranty service or spare parts purchase in US, contact:

KOBE Service Center

Email (best): customer.service@koberangehoods.com

Phone: 1-626-775-8880 ext. 103

Toll Free: 1-877-BUY-KOBE (289-5623)

For warranty service or spare parts purchase in Canada, contact:

Email (best): customer.service@koberangehoods.com

Phone: 1-626-775-8880 ext. 103

Your notes:

KOBE®

KOBE Range Hoods
11775 Clark Street
Arcadia, CA 91006 USA

www.koberangehoods.com

This KOBE hood is made for use in the USA and CANADA only. We do not recommend using this hood overseas as the power supply may not be compatible and may violate the electrical code of that country. **Using a KOBE hood overseas is at your own risk and will void your warranty.**

Cette hotte KOBE est fabriquée pour usage aux États-Unis et au Canada seulement. Il n'est pas recommandé d'utiliser cette hotte à l'étranger puisque l'alimentation électrique pourrait ne pas être compatible et enfreindre le code de l'électricité de ce pays. **L'usage de la hotte KOBE à l'étranger est à votre propre risque et la garantie sera annulée.**

Esta campana de extracción KOBE ha sido fabricada para ser utilizada únicamente en EE.UU. y CANADÁ. No recomendamos la utilización de esta campana en el extranjero debido a que la fuente de energía podría no ser compatible y podría violar el código eléctrico de dicho país. **Utilizar una campana KOBE en el extranjero será a su propio riesgo y anulará la garantía.**

VER. 171103

Information subject to change without notice.