



# Jema Autolifte A/S

we are here to surprise!

## JA6000S



Full Rise Scissor Lift - Surface Mounted - Lifting Capacity: 3800 KG

**Original**

**INSTALLATION, OPERATION  
AND MAINTENANCE MANUAL**



Read this entire manual carefully and completely before installation or operation of the lift.

# INDEX

<b>1. Important safety instructions.....</b>	<b>3~4</b>
1.1 Important notices	
1.2 Qualified personnel	
1.3 Danger notices	
1.4 Warning signs	
1.5 Sound level	
1.6 Training	
<b>2. Overview of the lift.....</b>	<b>5</b>
2.1 General descriptions	
2.2 Technical data	
2.3 Construction of the lift	
<b>3. Installation instructions.....</b>	<b>6~8</b>
3.1 Preparations before installation	
3.1.1 Tools and equipments needed	
3.1.2 A list for checking of parts	
3.1.3 Ground conditions	
3.2 Precautions for installation	
3.3 Installation	
3.4 Items to be checked after installation	
<b>4. Operation instructions.....</b>	<b>8~10</b>
4.1 Precautions	
4.2 Descriptions of control box	
4.3 Operation flow chart	
4.4 Operating instructions	
4.5 Emergency lowering in case of power failure	
<b>5. Trouble shooting.....</b>	<b>11</b>
<b>6. Maintenance.....</b>	<b>12</b>
<b>7. Annex.....</b>	<b>13~32</b>
Annex1, Packing list of the whole lift	
Annex2, Overall diagram	
Annex3, Diagram for ground fixing	
Annex4, Diagram for oil hose connection	
Annex 5, Hydraulic working system	
Annex 6,Electric wire diagram	
Annex 7, Separate diagrams for the lift	
Annex 8, Size and weight requirements on vehicles	
Annex 9, Spare parts list	
Annex 10, Approvals	

## **1. Important safety instructions**

### **1.1 Important notices**

Jema Autolifte A/S will offer one-year's quality warranty of the lift, during which any quality problem will be properly solved to the user's satisfaction. However, we will not take any responsibility for whatever bad consequence that may result from improper installation and operation, overload running or improper ground conditions.

This model is specially designed for lifting motor vehicles with a max. capacity 3800 kg. Users are not allowed to use the lift for any other purposes. Otherwise, we, as well as our distributor, will not bear any responsibility for accidents or damages of the lift. Make sure to pay careful attention to the safety label showing the lifting capacity, and never try to lift cars with a weight more than the specified lifting capacity.

Read this manual carefully before operating the lift, to avoid economic loss or personnel casualty incurred by wrong operation. Without our professional advice, users are not permitted to make any modifications of the control unit or any other mechanical unit.

### **1.2 Qualified personnel**

1.2.1 Only qualified staff, which has been properly trained, can operate the lift.

1.2.2 Electrical connection must be carried out by a certified electrician.

1.2.3 No unauthorized entry is allowed in the lifting area.

### **1.3 Danger notices**

1.3.1 Do not install the lift on an asphalt surface.

1.3.2 Read and understand all safety warnings before operating the lift.

1.3.3 Calibration of the lift must be done after reading calibration instructions.

1.3.4 Do not leave the controls while the lift is still moving.

1.3.5 Keep hands and feet away from any moving parts. Keep feet clear of the lift when lowering.

1.3.6 Only properly trained personnel can operate the lift.

1.3.7 Do not wear unfit clothes such as large clothes with flounces, ties, etc, which could be caught by moving parts of the lift.

1.3.8 To prevent accidents, surrounding areas of the lift must be tidy and free from irrelevant matters.

1.3.9 The lift is simply designed to lift the entire body of vehicles, with its maximum weight within the lifting capacity.

1.3.10 Always insure the safety lock are engaged before any attempt to work near or under the vehicle. Never remove safety related components from the lift. Do not use the lift if safety related components are damaged or missing.

1.3.11 Do not rock the vehicle while on the lift or remove any heavy component from vehicle that may cause excessive weight shift.

1.3.12 Check at any time the parts of the lift to ensure the agility of moving parts and the performance of synchronization. Ensure regular maintenance and if anything abnormal occurs, stop using the lift immediately and contact our dealers for help.

1.3.13 Lower the lift to its lowest position and do remember to cut off the power source when service finishes.

1.3.14 Do not modify any parts of the lift without manufacturer's advice.

1.3.15 If the lift is going to be left unused for a long time, users are required to:

- a. Disconnect the power source;
- b. Empty the oil tank;
- c. Lubricate the moving parts with hydraulic oil.

**Attention: For environment protection, please dispose the disused oil in a proper way.**

### 1.4 Warning signs

All safety warning symbols appearing on the lift with the aim of drawing the operator's attention to dangerous or unsafe situations. The labels must be kept clean and must be replaced if they loosened or damaged. Read the meaning of the labels carefully and learn them by heart



- Attention 1 It is not allowed to stay under the vehicle, while operating the lift.
- Attention 2 Please read and understand the instruction manual before using the lift.
- Attention 3 When the lift is lowered, it is not permitted to use any help post or wooden stick.
- Attention 4 Do not shake the vehicle when it is on the lift.
- Attention 5 It is not allowed to lift the vehicle on only one platform.
- Attention 6 Only trained personnel should operate the lift.
- Attention 7 Make sure the vehicle is parallel to both lifting platforms.
- Attention 8 Power in the control box.

### 1.5 Sound Level

The sound emitted from the lift should not exceed 75DB. For the sake of your health, we suggest that you install a noise detector in your working area.

### 1.6 Training

Only qualified staff, which has been properly trained, can operate the lift. We are quite willing to provide professional training for the users when necessary.

## **2. Overview of the lift**

### **2.1 General descriptions**

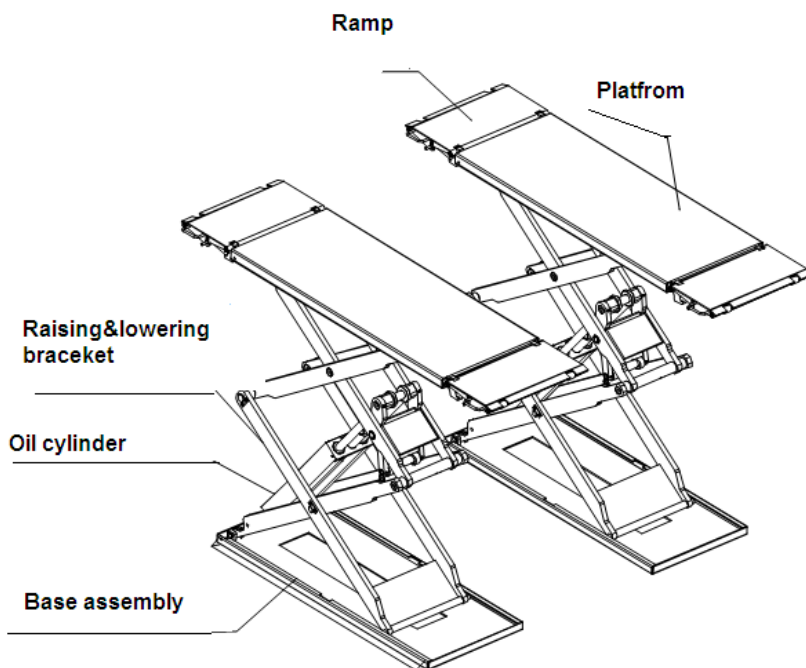
This full rise scissor lift is a low profile lift. Its four cylinder structure makes the low 110mm clearance from ground come true. This model is designed with auto leveling system. Because it is specially designed for surface mounting, users could have it installed with great convenience. Its platform extension design may not only be used as a ramp, but can also serve as an extended part of the platform for much longer vehicles. Besides this, designs like 24V working voltage of control box and limit switch, alarming buzzer, hydraulic safety system, anti-surge valves, etc. emphasizes your personal security greatly.

### **2.2 Technical data**

<b>Model</b>	<b>Lifting capacity</b>	<b>Lifting time</b>	<b>Lifting height</b>	<b>Electrical requirement</b>
JA6000S	3800kg	50 Sec	1950mm	220V/240V, Single Phase

Weight of JA6000S = 900 KG.

### **2.3 Construction of the lift**



### **3. Installation instructions**

#### **3.1 Preparations before installation**

##### **3.1.1 Tools and equipments needed**

- √ Electrical drill
- √ Open wrenches
- √ Screw drivers
- √ Adjustable spanner

##### **3.1.2 List for checking of parts ---Annex 1 (Packing list)**

Unfold the package and check if any parts missed as per Annex 1. Do not hesitate to contact us in case any parts are missing, but if you do not contact us and insist on installing the lift lacking of some parts, Jema Autolifte as well as our distributors will not bear any responsibility for this and will charge for any parts subsequently demanded by the buyer.

##### **3.1.3 Ground conditions**

The lift should be fixed on a smooth and solid concrete ground with strength of more than 3000psi, tolerance of flatness less than 5mm and minimum thickness of 150mm. In addition, newly built concrete ground must undergo more than 28days' cure and reinforcement.

#### **3.2 Precautions for installation**

- 3.2.1 Joints of oil hose must be firmly connected in order to avoid leakage.
- 3.2.2 All bolts should be firmly tightened. Because of transport screws can be loosened and therefore needs to be checked.
- 3.2.3 Do not place any vehicle on the lift in the case of trial running.

#### **3.3 Installation**

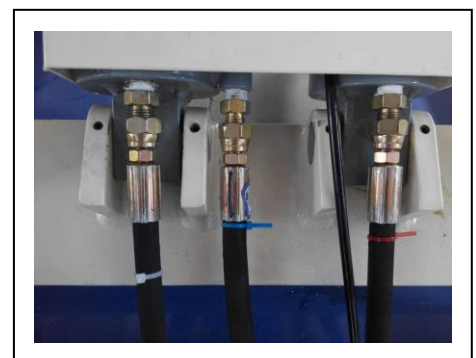
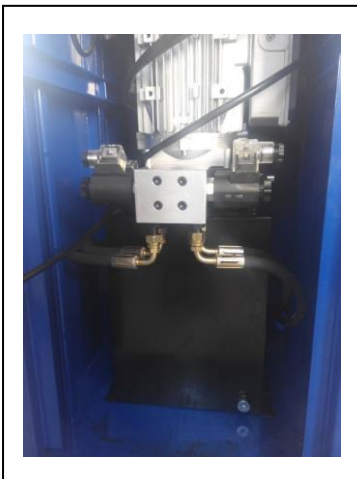
**Step1, Connect oil hose** (This step is extremely important, so do refer to the diagram for of oil hose connection in **Annex 4** and understand the following instructions before proceeding)

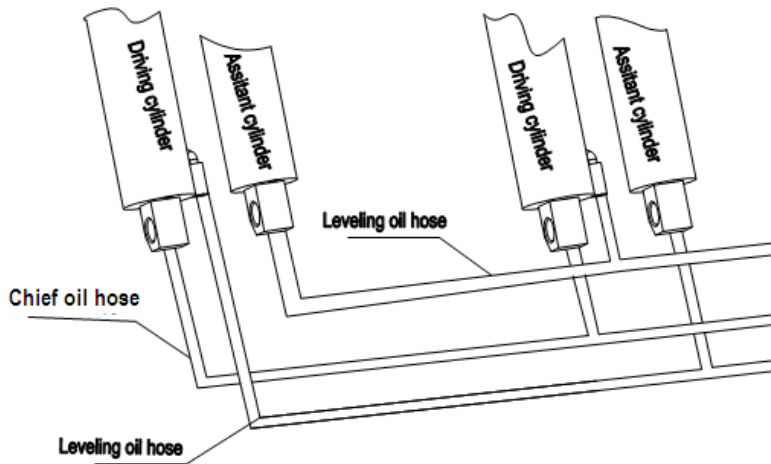
First make sure that the hose is not blocked or dirty.

Secondly installers have to indentify where the chief oil hose is to be connected, by referring to the below two pictures, and then connect the chief hose.

There are four main oilhoses in total, marked with four ribbons of different colours. Oil hoses with same colour should be connected to each other. Please follow the pictures below:

Finally, check if all connections are tightened.





**Step2, Connect the wiring.**

Connect exterior wires as per the wiring diagram, with the black for phase wire, the blue for null wire, and the green-yellow for grounded conductor.

**Step3, Fill with 15L hydraulic oil**

Pour 15 liters of anti-grinding oil into the oil tank. The level of the oil must be 10mm to 40mm measured from the top of the tank.(users can measure it by the probe attached on the lid)

**Step4, Leveling**

**Attention: Before leveling, make sure that the oil hoses are correctly connected. Otherwise, oil cylinders may not work synchronously or could be damaged.**

**Electric leveling**

1. Turn on the power switch.
2. Press the UP button and see if the two valves with black and white ribbon are working. Push UP until one of the platform goes to around 1.5 meter high.
3. Press DOWN button until the two platforms are all the way down to bottom.
4. Press and hold button of "Platform Calibration", press UP button and release immediately.
5. Repeat step 4 several times until one of the platform is just about to move. (**Attention: Please do it carefully and stop pressing UP button immediately when you see one of the platform is moving, otherwise it will damage the lift**)
6. Hold "platform calibration", press DOWN button and release it immediately when you will see a small moving down of the lift. Then release all buttons.

Use the lift as normal and see if the two platforms are calibrated. Otherwise please do step 5 and 6 again until it's calibrated.

**Attention: The button for "platform calibration" is only used for leveling, and not for daily use.**

**Step 5, Mount the expansion bolt**

1. Drill holes for expansion bolt (The bolts are not incl. with the lift). Make sure the drill is going straight down to the ground.
2. Hammer expansion bolt into the hole and tighten the nut afterwards.

## WE ARE HERE TO SURPRISE!

### Step 6, Mount the oil hose covers.

1. Make sure the hydraulic hoses located right on the floor and not calms top of each other, since it will not be possible to mount the oil hose covers if hydraulic hoses are not located properly.
2. When the oil hose covers are placed correctly, attach them with bolts in the floor so the covers are fixed on the floor and protects the hydraulic oil hoses going from the lift to the control box.

### 3.4 Items to be checked after installation.

S/N	Check items	YES	NO
1	Are the two platforms adjusted at the same level?		
2	Are the oil hose tightly connected?		
3	Are all electric connections correct?		
4	Are the valves of the pump unit tight?		

## 4. Operation instructions

### 4.1 Precautions

4.1.1 Check all the connections of the oil hose. Only when there is no leakage, the lift can start working.

4.1.2 The lift can not be used if its safety devices malfunction.

4.1.3 The lift must not rise or lower an automobile if its center of gravity is not positioned midway of the rising platforms Jema Autolifte as well as our distributors will not bear any responsibility for any consequence as a result of operating the lift in unbalance conditions.

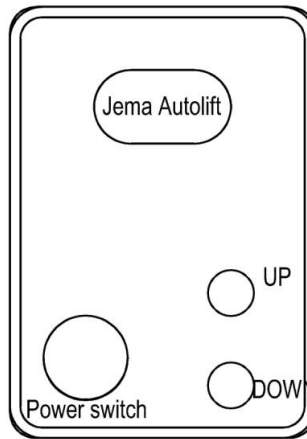
4.1.4 Operators and other authorized personnel should stand in a safety area during lifting and lowering process.

4.1.5 When platforms are being raised to the desired height, switch off the power at once to prevent any wrong operation performed by unauthorized people.

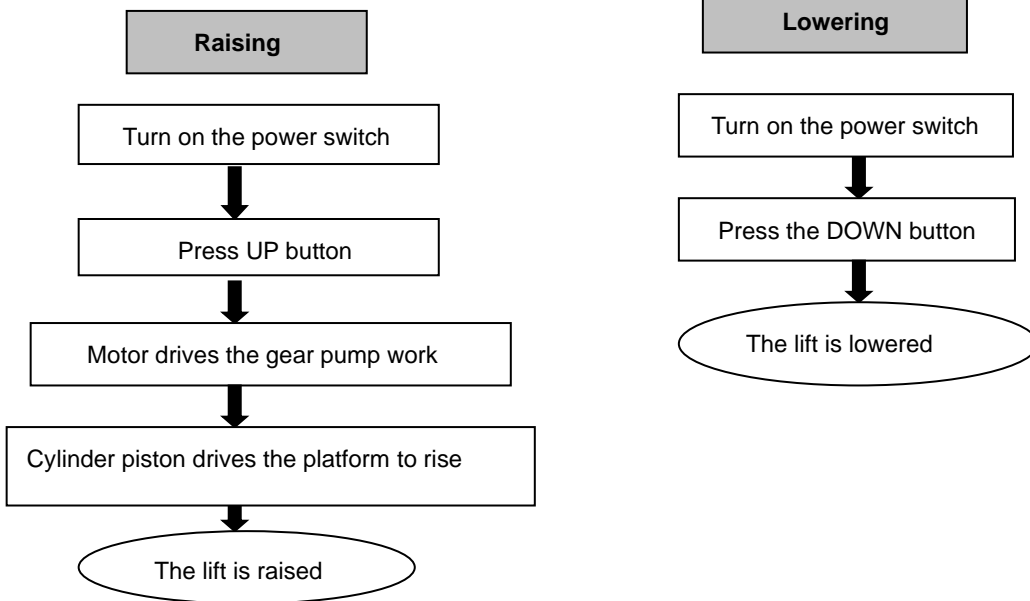
4.1.6. Make sure there is no kind of oil leakage of the lift is before starting work under the vehicle and that nobody stays under the vehicle during the lifting and lowering process.



4.2 Descriptions of control box



4.3 Operation flow chart



4.4 Operation instructions

**To raise the lift**

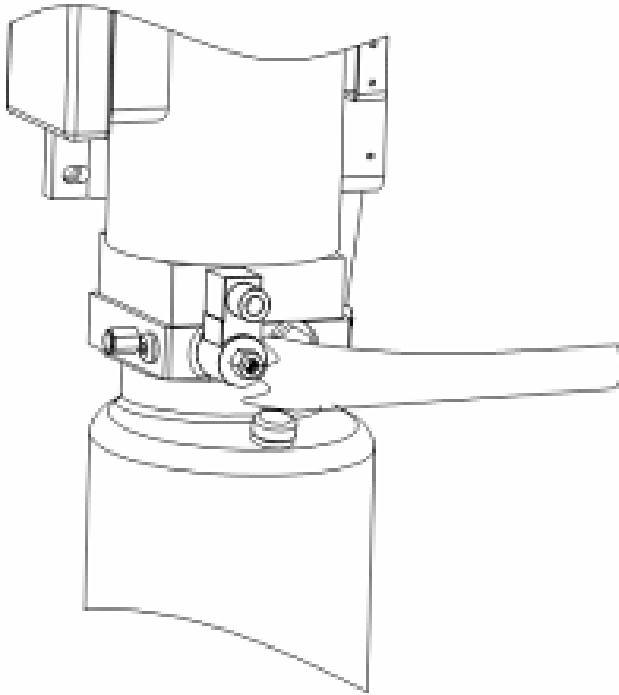
1. Make sure that you have read and understood the operation manual before operation.
2. Drive and park the vehicle midway on the two platforms.
3. Place the four rubber pads under the fix-points of the vehicle and ensure that the car's gravity have fallen on the rubber pads.
4. Press the UP button on the control box until rubber pads touch the fix-points of vehicle.
5. Press the UP button to lift the vehicle a bit higher from the ground and check again if the vehicle is in a safe position.
6. Having raised the vehicle to the required height, operators must press the "Emergency stop" button until the power indicator is off and check the stability of the vehicle again before performing maintenance or repair work.

**To lower the lift**

1. Switch on.
2. Press the DOWN I button to lower the lift. It will stop lowering approx. 200mm from the ground.
3. Press DOWN II button to continue lowering the platforms. Alarming buzz will be heard during this process.
4. Drive the vehicle away

**4.5 Emergency lowering in case of power failure**

1. Loosen the core of the solenoid unloading valve fixed on the hydraulic block.



## 5. Trouble Shooting

ATTENTION: If the trouble could not be fixed by yourself, please do not hesitate to contact us for help .We will offer our service at the earliest possible time. By the way, your troubles will be judged and solved much faster if you could provide us more details or pictures of the trouble.

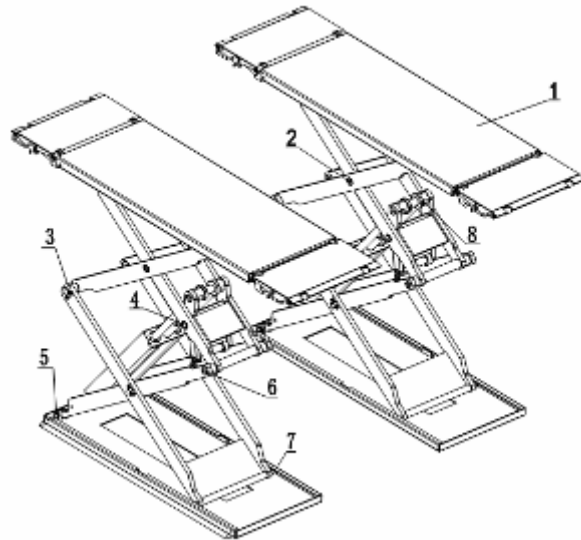
TROUBLES	CAUSE	SOLUTION
Motor does not run and will not raise	The wire connection is loose.	Check and make sure, that the connection is tight.
	The motor is burnt	Replace it.
	The limit switch is damaged or the wire connection is loose.	Connect it or adjust or replace the limit switch.
Motor runs but will not raise	The motor run reversely.	Check the wire connection.
	Overflow valve is loose or jammed.	Clean or adjust it.
	The gear pump is damaged.	Replace it.
	Oil level is too low.	Add oil.
	The oil hose became loose or dropped off.	Tighten it.
	The cushion valve became loose or jammed.	Clean or adjusts it.
Platforms go down slowly after being raised	The oil hose leaks.	Check or replace it.
	The oil cylinder is not tightened.	Replace the seal.
	The single valve leaks.	Clean or replace it.
	The overflow valve leaks.	Clean or replace it.
	Electrical unloading valve leaks.	Clean or replace it.
Raising too slow	The oil filter is jammed.	Clean or replace it.
	Oil level is too low.	Add oil.
	The overflow valve is not adjusted to the right	Adjust it.
	The hydraulic oil is too hot (above 45°).	Change the oil.
	The seal of the cylinder is abraded.	Replace the seal.
Lowering too slow	The throttle valve jammed.	Clean or replace.
	The hydraulic oil is dirty.	Change the oil.
	The anti-surge valve is jammed.	Clean it.
	The oil hose is jammed.	Replace it.

## 6. Maintenance

Easy and low cost routine maintenance can ensure the lift works normally and safely. The following are requirements for routine maintenance. You may choose the frequency of routine maintenance by consulting your lift's working conditions and time.

The following parts need to be lubricated.

S/N	DESC
1	Platform slider
2	Joint shaft C
3	Joint shaft B
4	Driving rotor shaft
5	Rotor shaft of base plate
6	Joint shaft D
7	Base plate slider
8	Rotor shaft



### 6.1. Daily checking of items before operation

The user must perform daily checks. Daily checks of the safety system are very important – the discovery of device failure before action could save your time and prevent you from great loss, injury or casualty.

- Check whether oil hose well connected. No leakage is allowed.
- Check the electric connections. Make sure that all connections are in good condition.

### 6.2. Weekly checking of items

- Check the flexibility of moving parts.
- Check the working conditions of safety parts.
- Check the amount of oil left in the oil tank. Oil is sufficient if the carriage can be raised to highest position. Otherwise, oil is insufficient.
- Check whether the expansion bolts are well anchored.

### 6.3. Monthly checking of items

- Check the tightness of the hydraulic system and screw the joints firmly if it leaks.
- Check the lubrication and abrasion circumstances of moving parts.

### 6.4. Yearly checking of items

- Empty the oil tank and check the quality of the hydraulic oil.
- Wash and clean the oil filter.

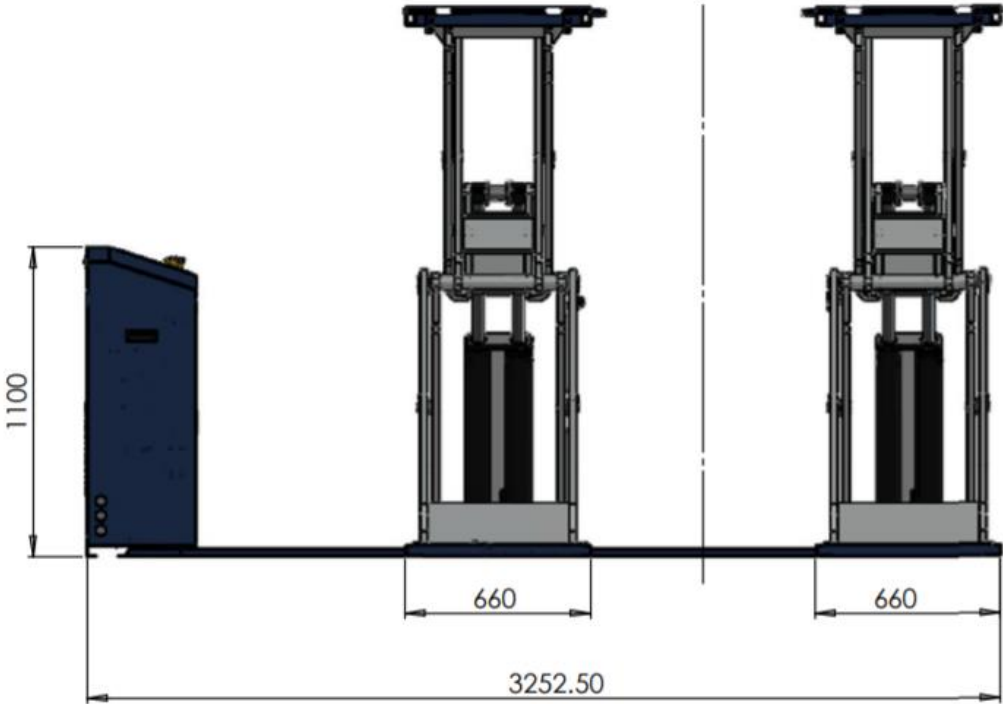
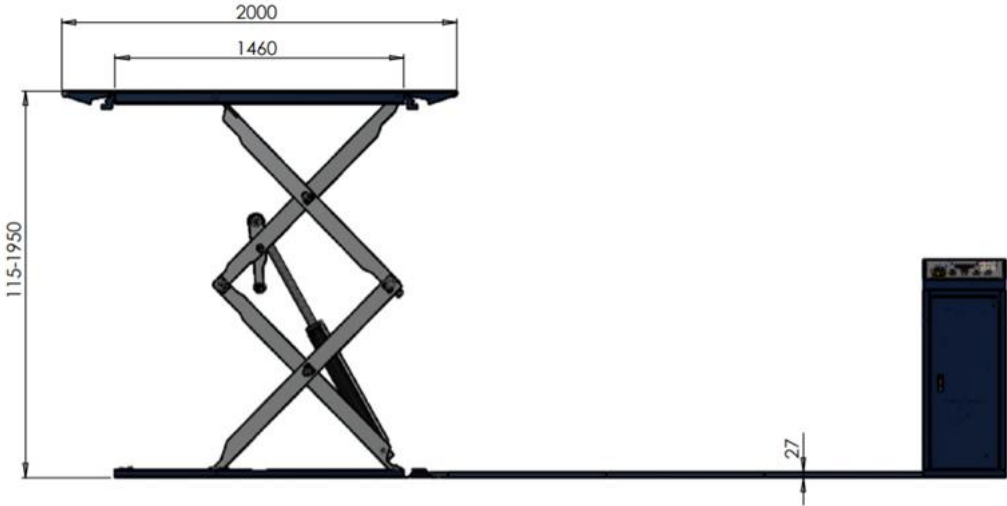
**If users follow the above maintenance requirements strictly, the lift will be kept in a good working condition and accidents could be avoided to a large extent.**

## **7. ANNEX**

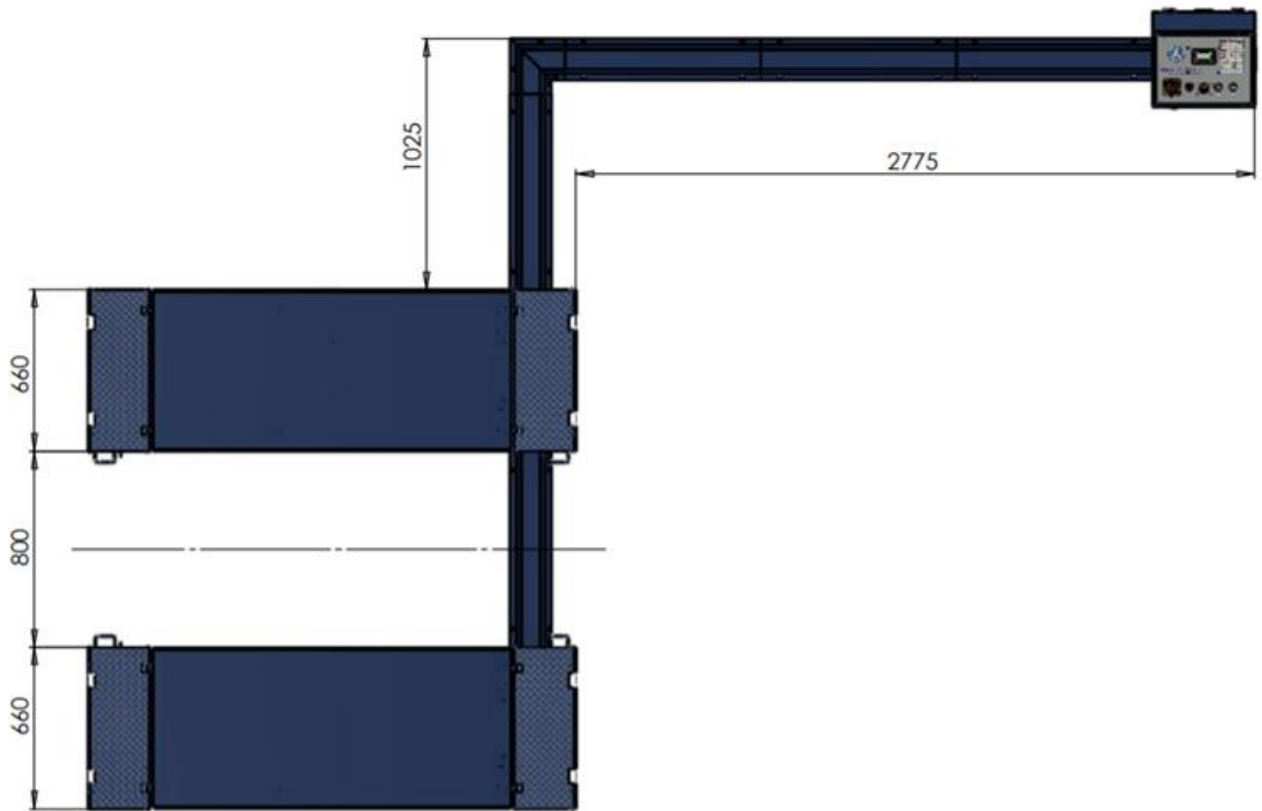
### **Annex 1, Packing List of the whole lift**

S/N	Name	Drawing#/Size	Description	Qty
1	Lift	6000-01	Component	1
2	Protection cover assembly	6000-A06-B02	Component	1
3	Cover plate A	6000-A9	Q235A	1
4	Cover plate B	6000A10	Q235A	1
5	Cover plate C	6000-A11	Q235A	1
6	Control box	6000-A12	Assembly	1

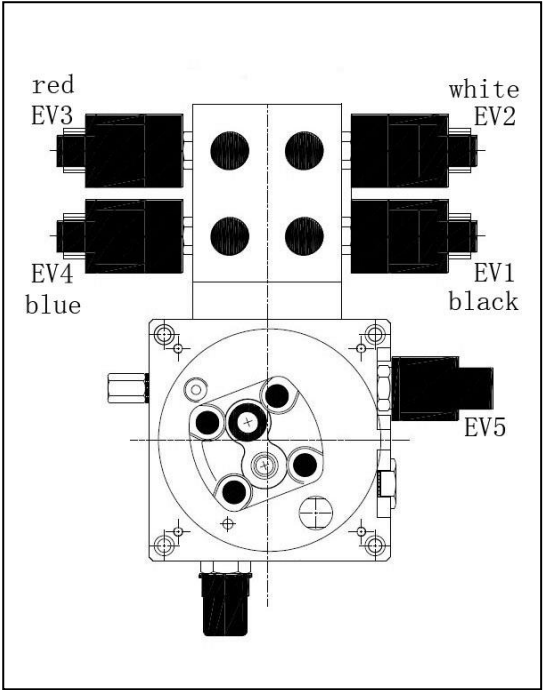
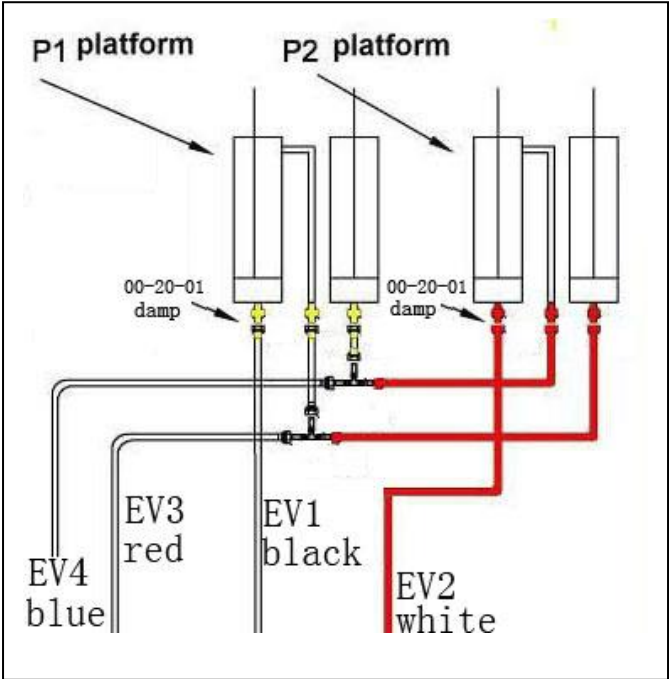
Annex2, Overall diagram



Annex3, Diagram for ground fixing

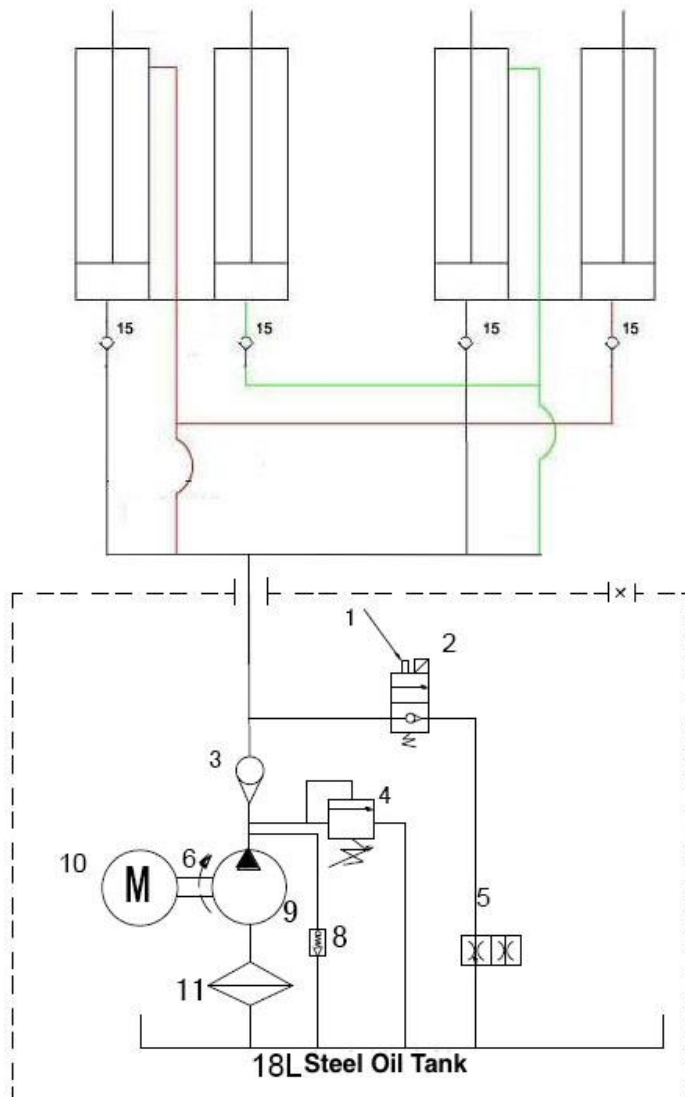


Annex 4, Diagram for oil hose connection



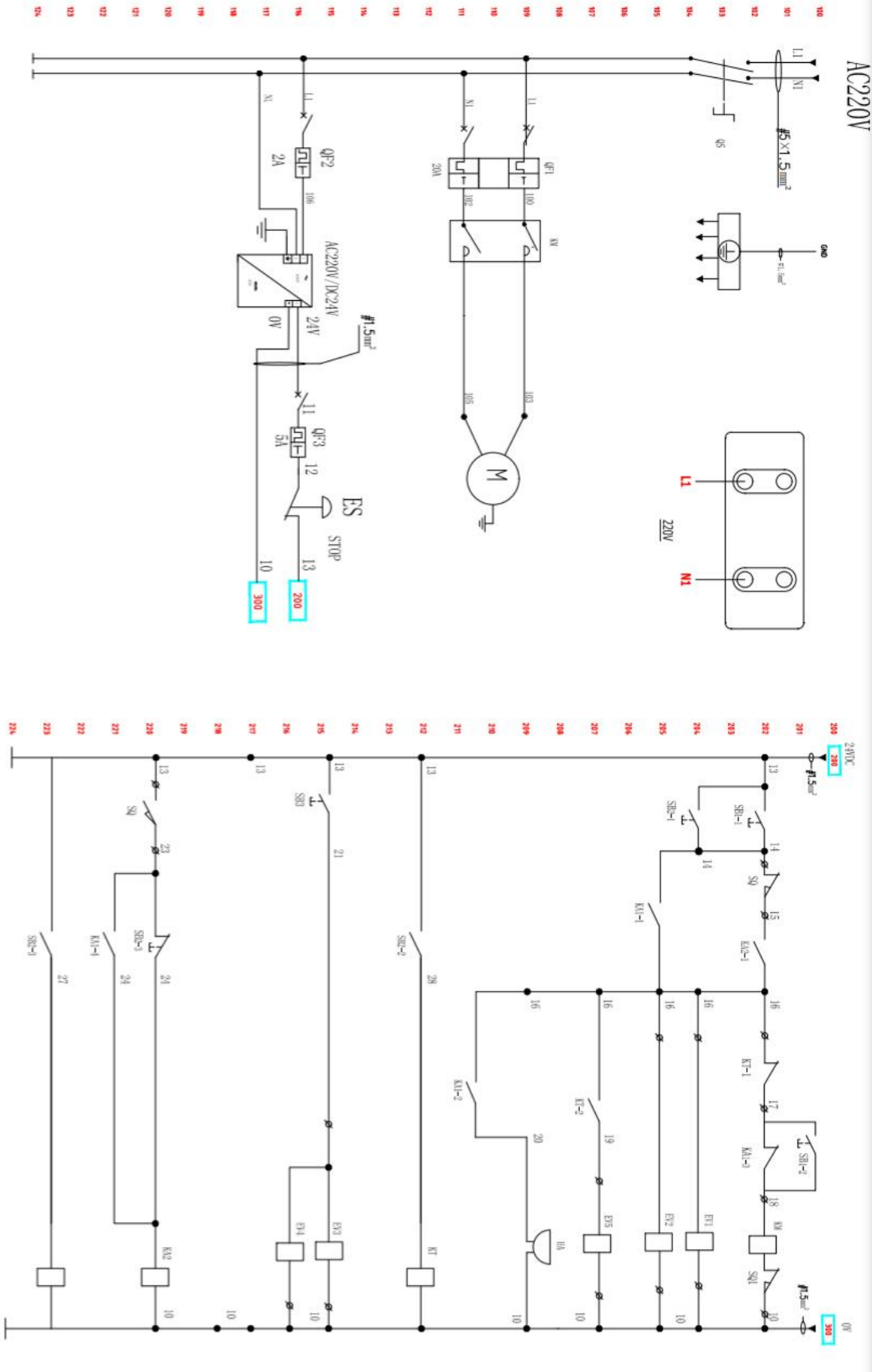


**Annex 5, Hydraulic working system**



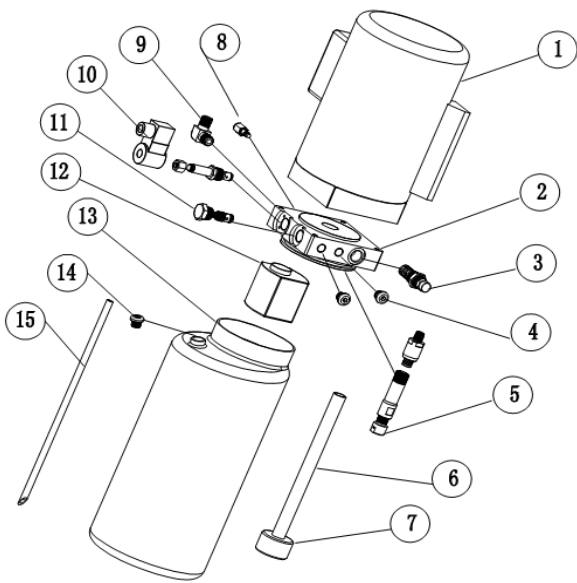
- 1 .Emergency unloading valve
- 2. Electrical unloading valve
- 3. One-way valve
- 4. Overflow valve
- 5. Lowering throttle valve
- 6. Electrical unloading valve
- 7. Electrical unloading valve
- 8. Cushion valve
- 9. Gear pump
- 10. Oil pump motor
- 11. Oil filter
- 12. Driving cylinder
- 13. Assistant cylinder
- 14. Coupling
- 15. Anti-surge valve

Annex6, Electric wire diagram



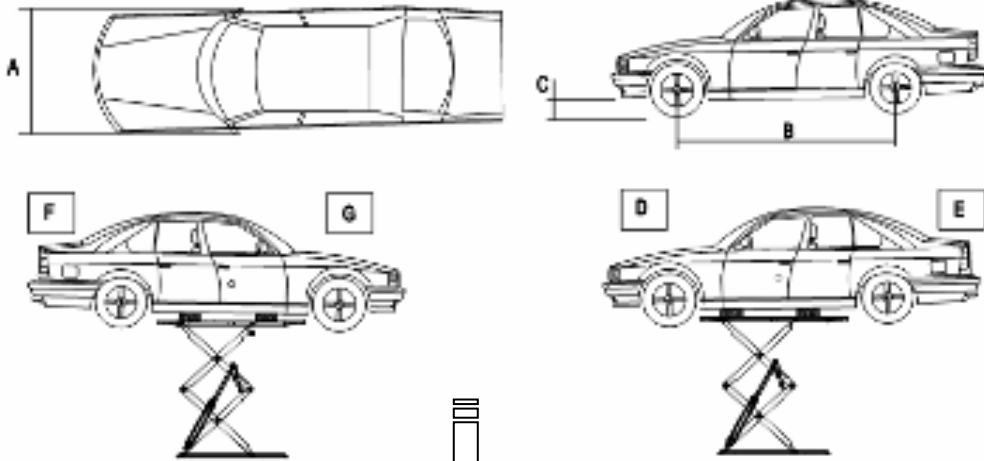
**Annex 7, Separate diagrams for the lift**

**For the pump:**



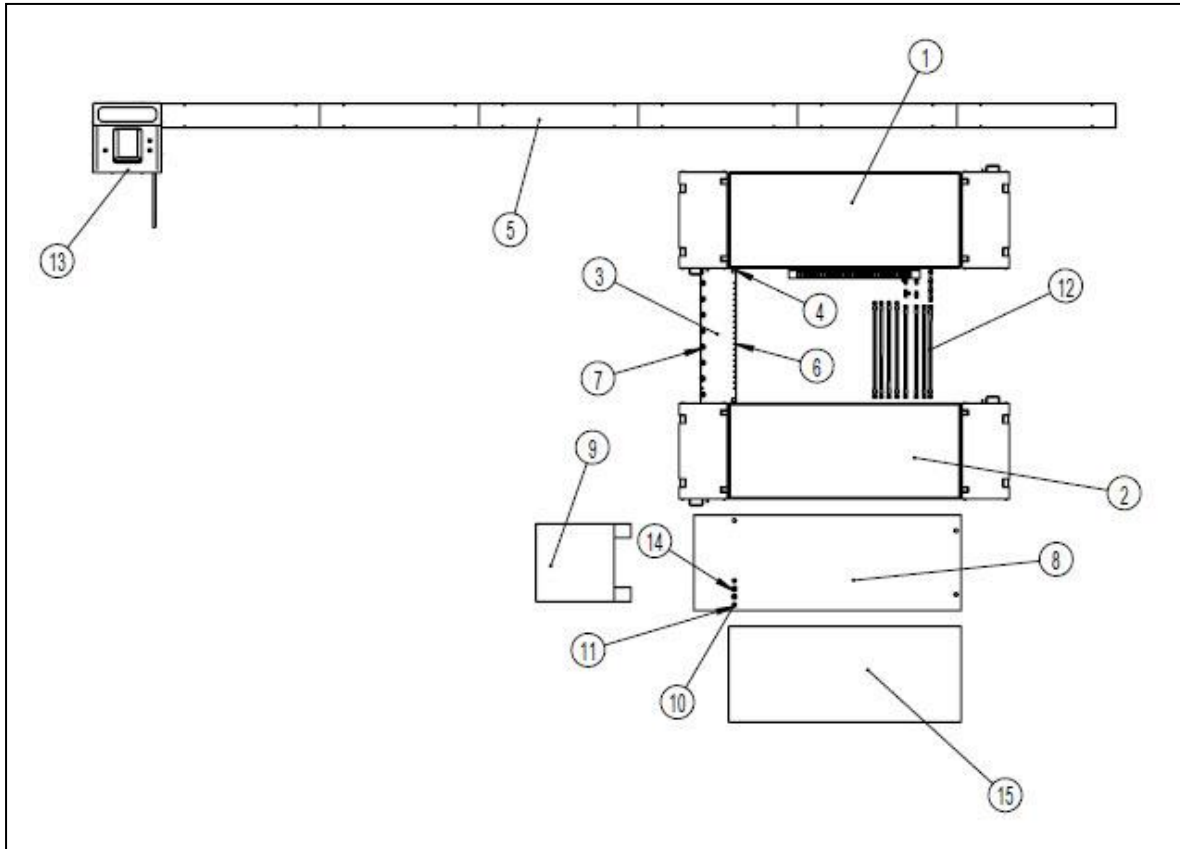
S/N	DESCRIPTION	QTY
1	Motor	1
2	Hydraulic block	1
3	Overflow valve	1
4	Fitting	2
5	Cushion valve	1
6	Absorbing oil hose	1
7	Oil filter	1
8	Throttle valve	1
9	Oil hose tie-in	1
10	Electrical unloading valve	1
11	One-way valve	1
12	Gear pump	1
13	Oil tank	1
14	Oil tank cover	1
15	Oil back hose	1

**Annex8, Size and weight requirements on vehicles**



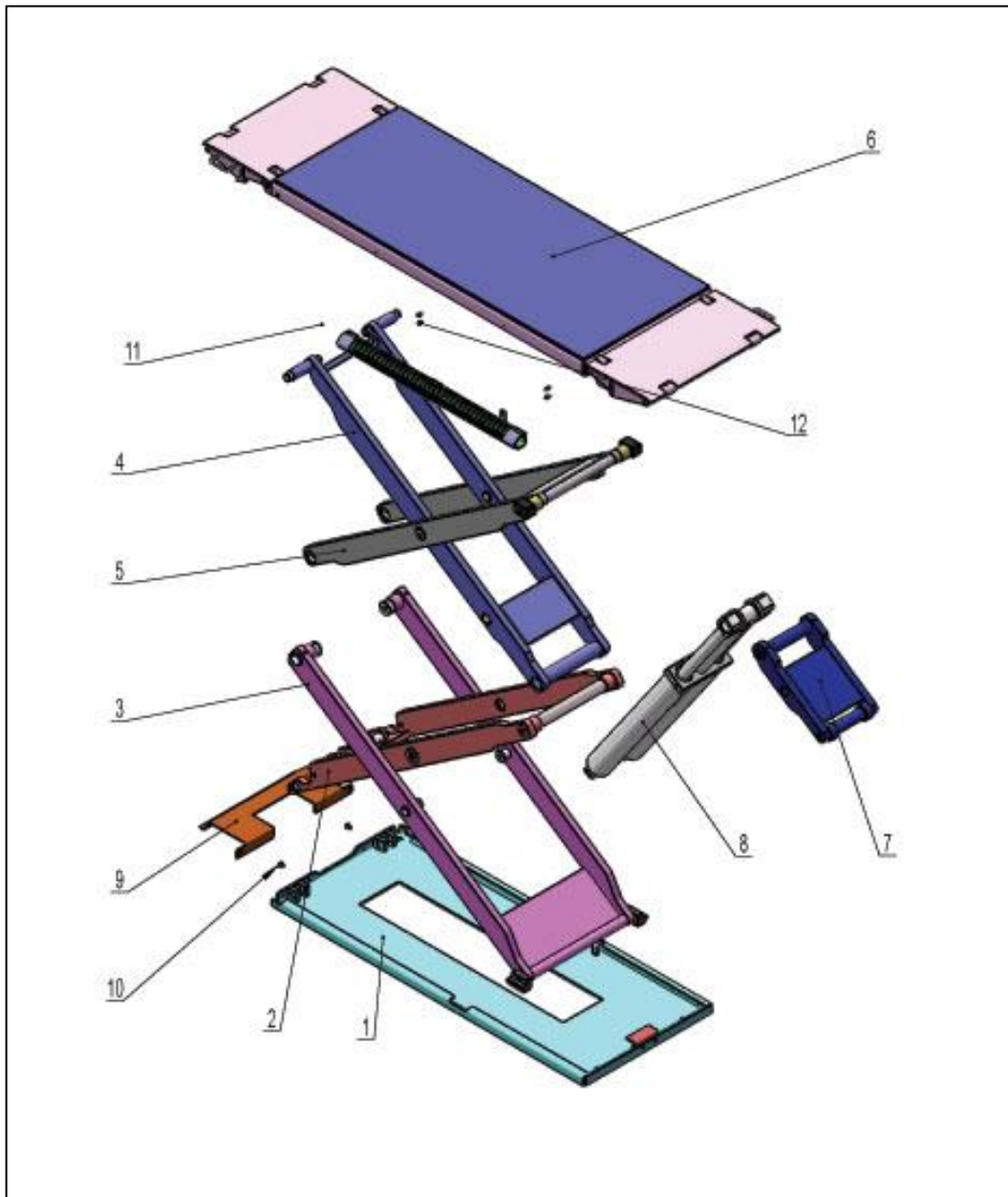
Model No.	A (mm)	B (mm)	C (mm)	D (T)	E (T)	F (T)	G (T)
JA6000S	2120	2000	110	2.2	1.6	1.6	2.2

**Annex 9, Spare parts list.**



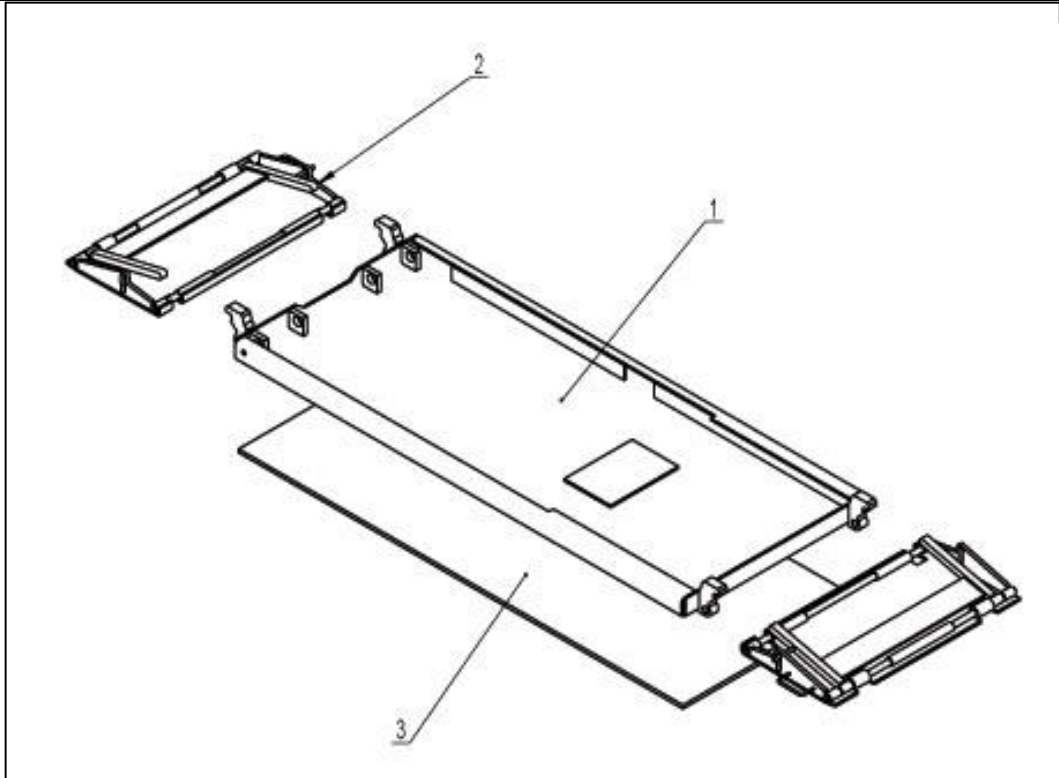
Picture number	Spare part no.	Description	Quantity
1	JA6000-00-A	Master platform	1
2	JA6000-00-B	Platform	1
3	00-16	Protection cover	1
4	BHF-GA-M08.0-S-016	Shaft	4
5	00-11-02-03	Protection cover	6
6	MJL-XHY-6-30	Protection cover	-
7	BEX-CH-M16.0-150	Screw	4
8	00-19	Base plate	2
9	JA3000-D-06	Protection cover	2
10	BHF-GA-M16.0-S-040	Shaft	4
11	NH-GA-M16.0-S	Slide	4
12	00-20	Hydraulic oil hose	8
13	JA6000-D-00	Control unit	1
14	WS-S-GA-M16.0	Washer	4

**WE ARE HERE TO SURPRISE!**

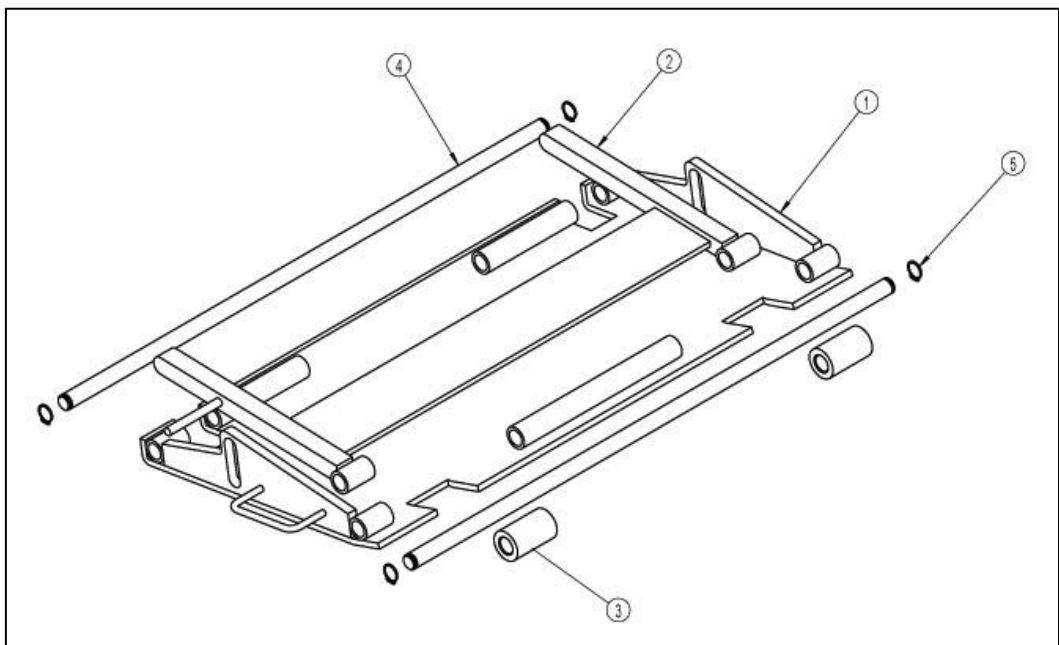


Picture number	Spare part no.	Description	Quantity
1	00-00	Base plate	1
2	00-03	Inner buttom scissor	1
3	00-02	Outer buttom scissor	1
4	00-05	Inner top scissor	1
5	00-04	Outer top scissor	1
6	00-06	Platform	1
7	00-07	Lifting unit	1
8	00-17	Piston	1
9	00-13	Cover	1
10	MSF-GA-M08.0-S-012	Screw	2
11			

12	BSF-BO-M06.0-S-012	Screw	4
----	--------------------	-------	---



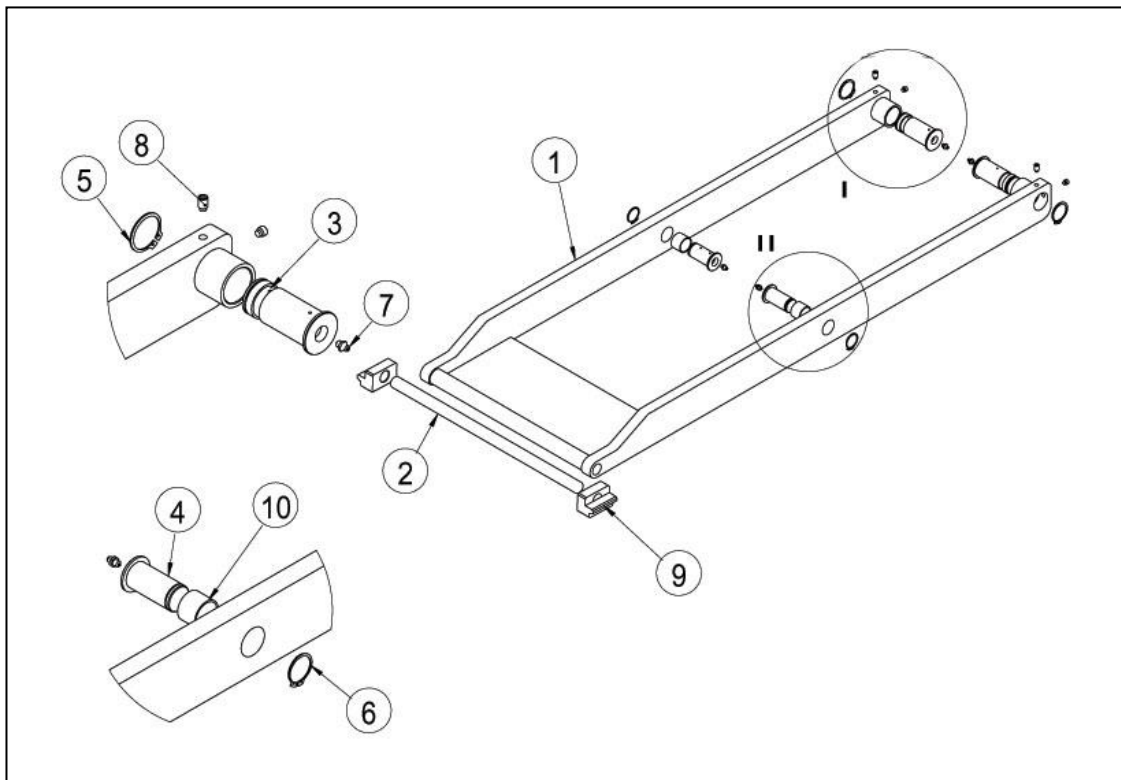
Picture number	Spare part no.	Description	Quantity
1	00-06-01-00	Platform	1
2	00-06-A	Platform extension	2
3	00-06-01-00	Platform protection	1



Picture number	Spare part no.	Description	Quantity
1	00-06-02-00	Platform extension	1
2	00-06-03	Platform extension lock	1
3	00-06-05	Platform extension eye	2
4	00-06-04	Shaft	2

**WE ARE HERE TO SURPRISE!**

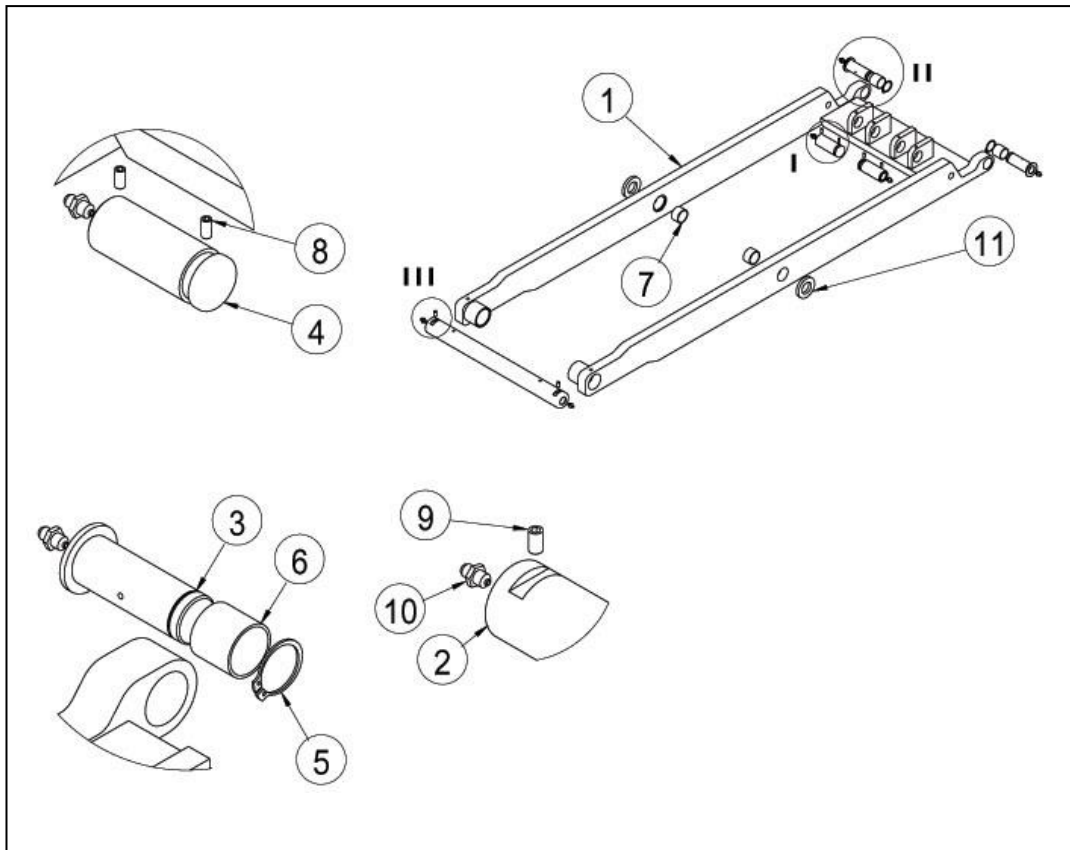
5	EXTCI-015	Lockring	4
---	-----------	----------	---



Picture number	Spare part no.	Description	Quantity
1	00-02-01	Outer bottom scissor	1
2	00-02-04	Shaft	1
3	00-02-06	Shaft	2
4	00-02-05	Shaft	2
5	EXTCI-040	Lockring	2
6	EXTCI-030	Lockring	2
7	SP0FC-GA-M08.0-1	Oil lubricator	4
8	SSC-GA-A-C-M10.0-016	Pointed	4
9	00-02-03	Slider	2
10	34-30-25	Bushing	2

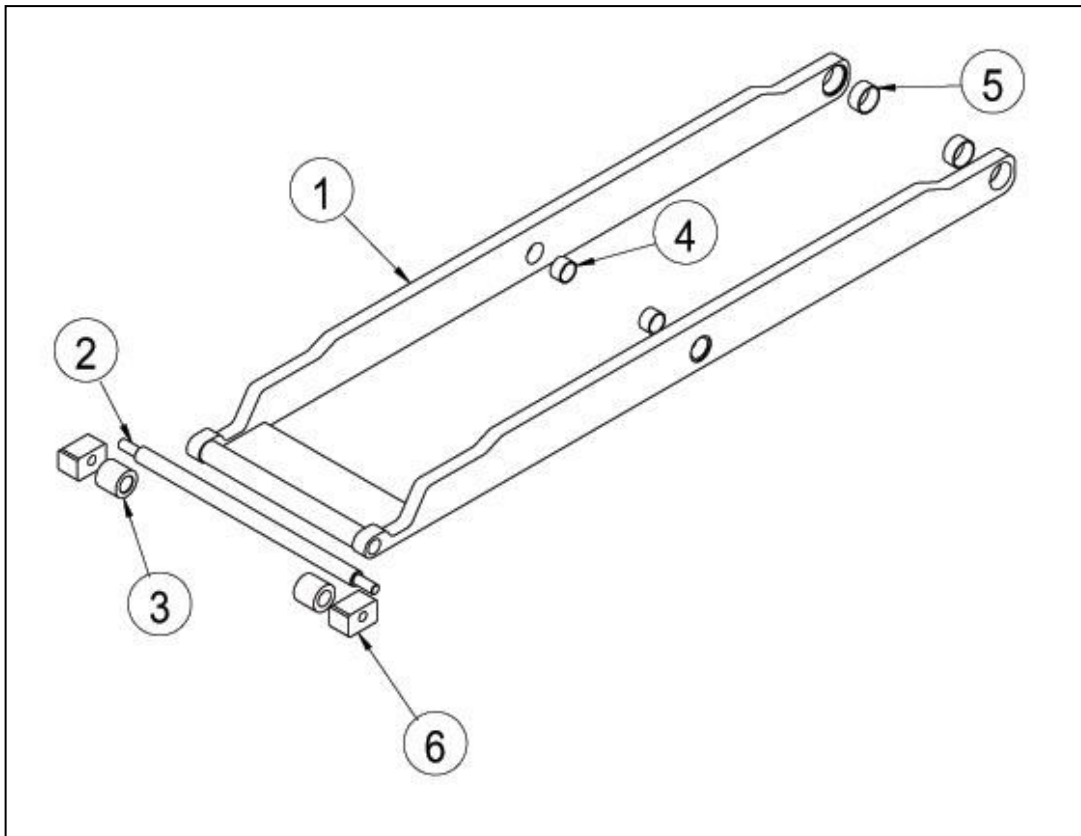


**WE ARE HERE TO SURPRISE!**



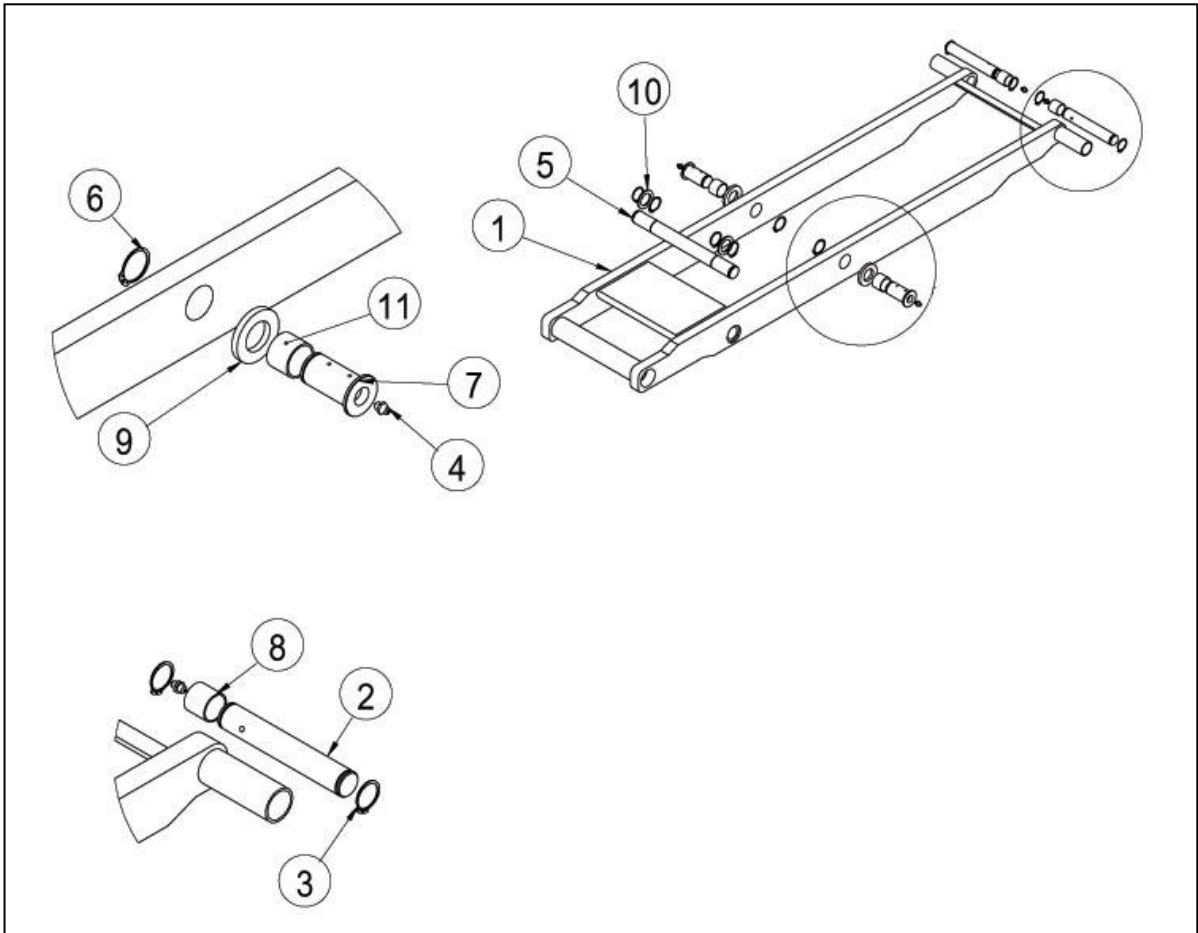
Picture number	Spare part no.	Description	Quantity
1	00-03-01	Inner bottom scissor	1
2	00-03-02	Shaft	1
3	03-03-04	Shaft	2
4	00-03-03	Shaft	2
5	EXTCI-025	Lockring	2
6	28-25-25	Brushing	2
7	34-30-20	Brushing	2
8	SSC-BO-A-P-M06.0-010	Pointed	4
9	SSC-BO-A-P-M08.0-012	Pointed	2
10	SP0FC-GA-M08.0-1	Oil lubricator	6
11	02-02-05-02	Washer	2

**WE ARE HERE TO SURPRISE!**



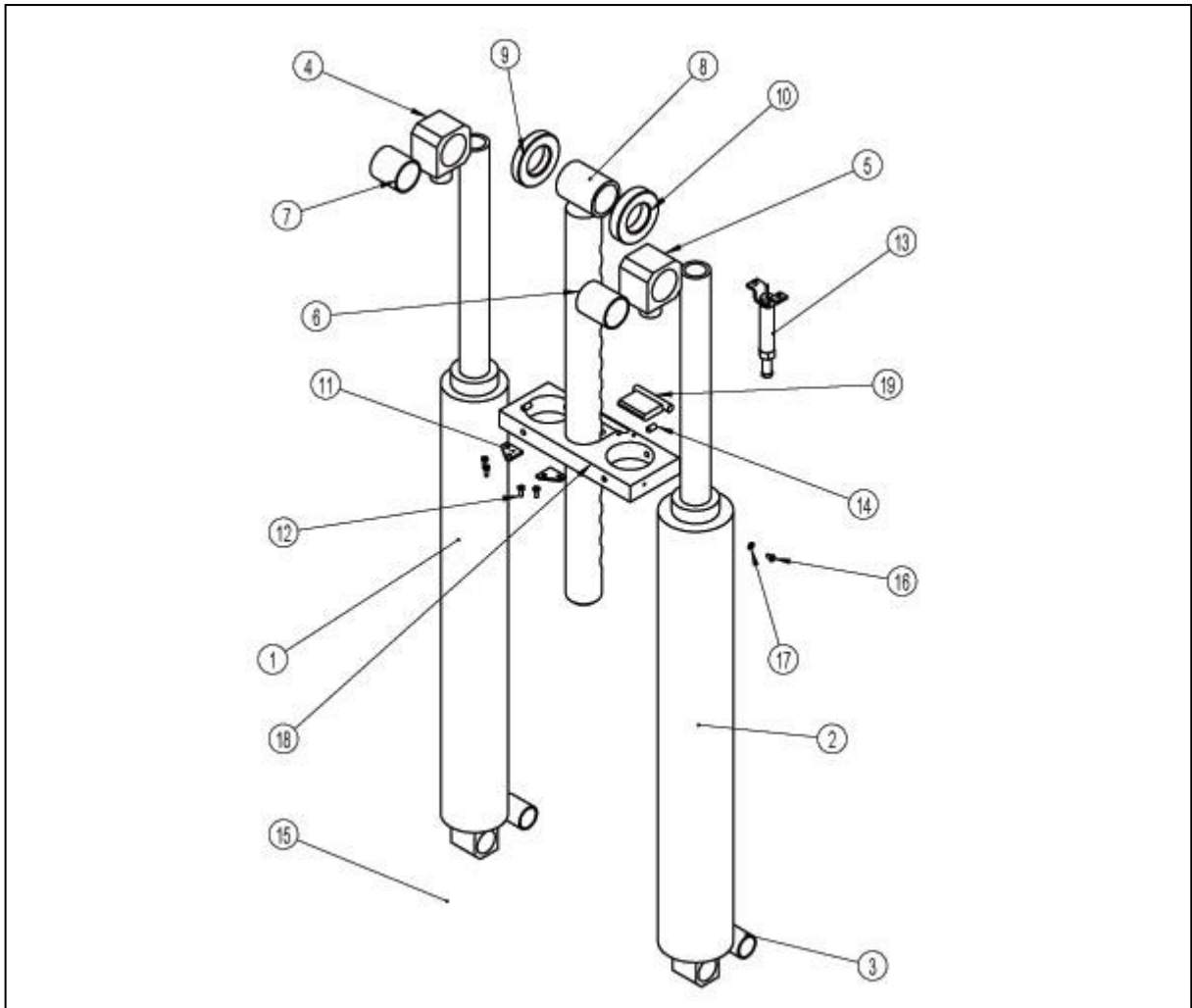
Picture number	Spare part no.	Description	Quantity
1	00-04-01	Outer top scissor	1
2	00-04-03	Shaft	1
3	00-04-04	Brushing	2
4	34-30-20	Brushing	2
5	44-40-20	Brushing	2
6	00-04-02	Slide	2

**WE ARE HERE TO SURPRISE!**



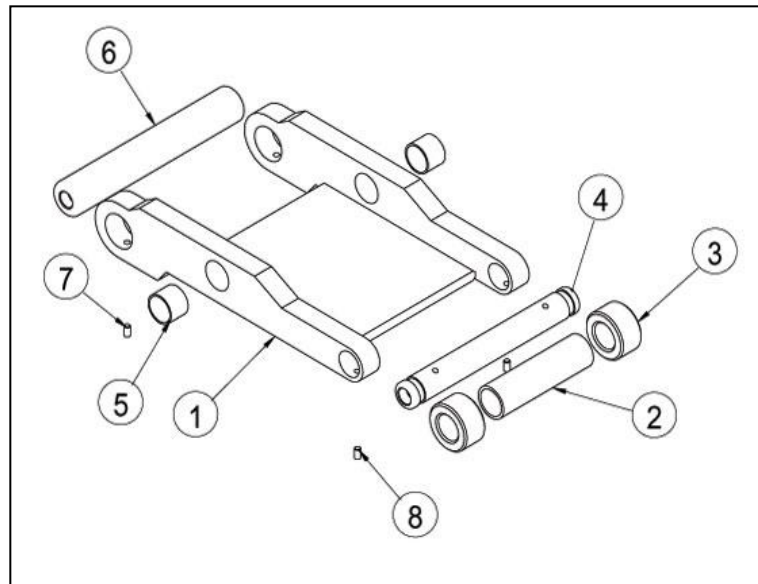
Picture number	Spare part no.	Description	Quantity
1	00-05-01	Inner top scissor	1
2	00-05-03-01	Shaft	2
3	EXTCI-025	Lockring	4
4	SPOFC-GA-M08.0-1	Oil lubricator	4
5	00-05-02-01	Shaft	1
6	EXTCI-030	Lockring	6
7	00-02-05-01	Washer	2
8	28-25-25	Bushing	2
9	02-02-05-01	Washer	2
10	02-02-05-03	Washer	2
11	34-30-25	Brushing	2

**WE ARE HERE TO SURPRISE!**



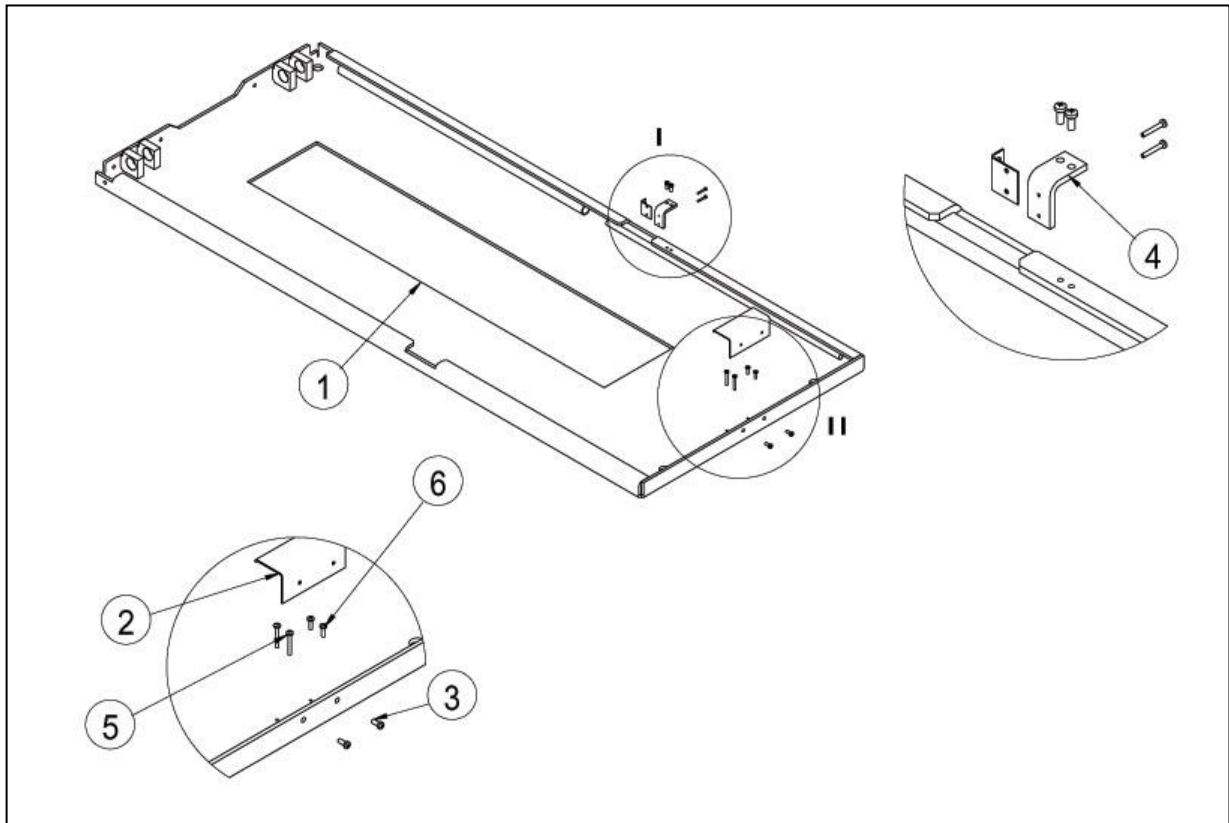
Picture number	Spare part no.	Description	Quantity
1	00-21-01	Piston (No return pipe)	1
2	00-21-02	Piston (With return pipe)	1
3	32-28-40	Piston mounting tube	2
4	00-08-08-01	Piston head	1
5	00-08-08	Piston head	1
6	44-40-50	Brushing	1
7	44-40-45	Brushing	1
8	00-08-00	Brushing	1
9	00-08-04	Washer	1
10	00-08-04-01	Washer	1
11			
12			
13			
14			
15	00-08-03-01	Piston mounting tube	1
16	MSF-GA-M05.0-S-10	Screw	2
17	WS-S-GA-M05.0	Screw	2
18	00-08-03	Piston plate	1
19			

**WE ARE HERE TO SURPRISE!**

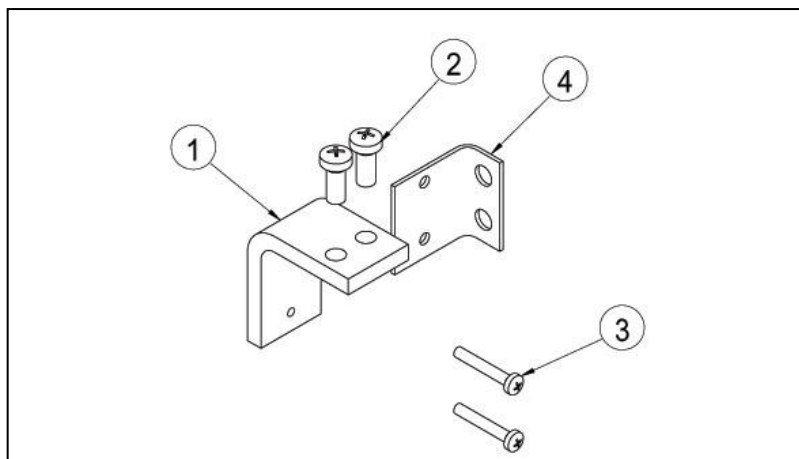


Picture number	Spare part no.	Description	Quantity
1	00-07-01	Lifting unit	1
2	00-07-03	Mid shaft tube	1
3	00-07-04	Shaft end	2
4	00-07-02	Shaft	1
5	34-30-25	Brushing	2
6	00-08-01	Shaft	1
7	SSC-BO-A-P-M08.0-012	Pointed	2
8	SSC-BO-A-P-M08.0-010	Pointed	2

**WE ARE HERE TO SURPRISE!**

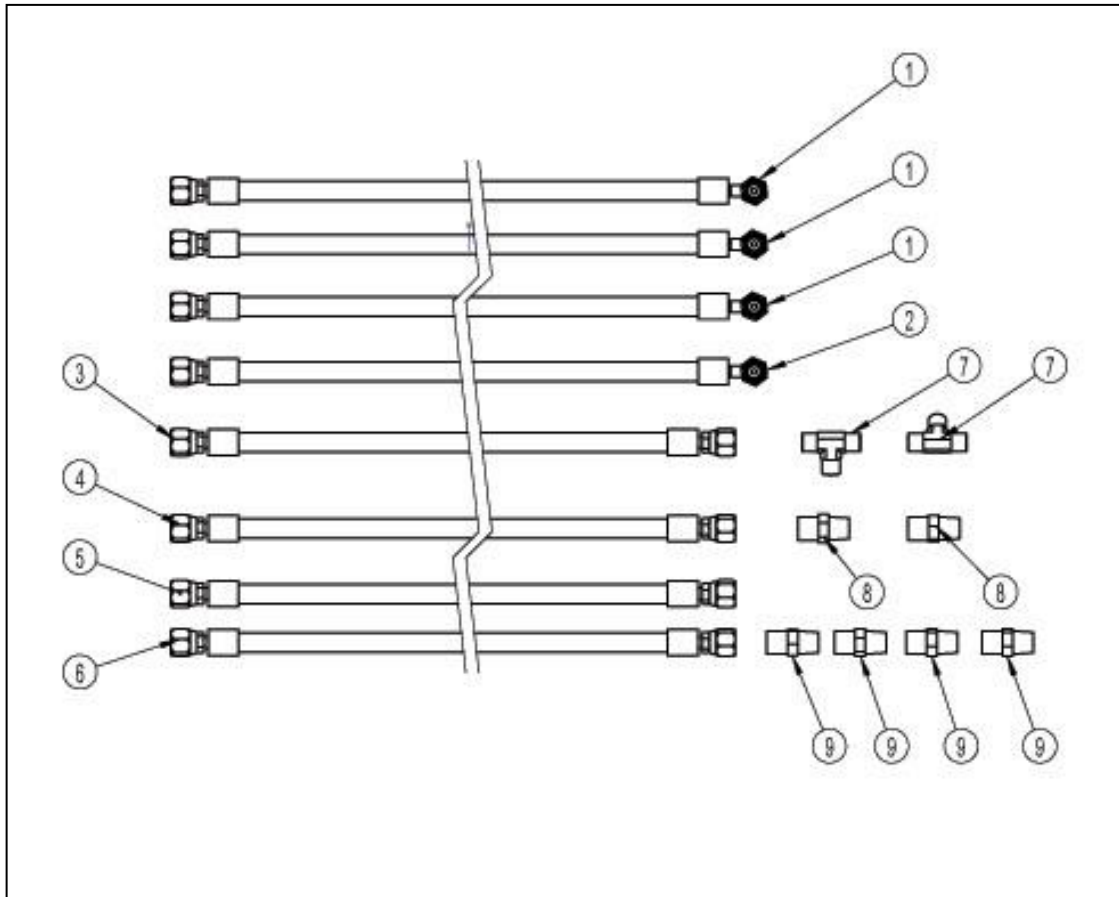


Picture number	Spare part no.	Description	Quantity
1	00-01	Base plate	1
2	00-15	Bottom stop protection	1
3	MSF-GA-M0.5.0-S-012	Screw	2
4	00-14	Metal angle	1
5	MSF-GA-M04.0-S-025	Screw	2
6	MSF-GA-M04.0-S-014	Screw	2



Picture number	Spare part no.	Description	Quantity
1	00-14-01	Metal angle	1
2	MSF-GA-M05.0-S-012	Screw	2
3	MSF-GA-M03.0-S-020	Screw	2
4	00-14-02	Metal angle	1

**WE ARE HERE TO SURPRISE!**



Picture number	Spare part no.	Description	Quantity
1	00-20-03	Hydr. angle connection	3
2	00-20-04	Hydr. angle connection	1
3	00-20-05	Hydr. connection	1
4	00-20-06	Hydr. Connection	1
5	00-20-07	Hydr. Connection	1
6	00-20-08	Hydr. Connection	1
7	00-20-09	Hydr. Connection	2
8	00-20-01	Hydr. Connection	2
9	00-20-02	Hydr. connection	4

**Annex 10, Approvals.**

**EC Declaration of Conformity (informative)**

We (name of applicant) Jema Autolifte A/S  
of (address of applicant) Industrihegnet 2, 4030 Tune, Denmark

*hereby declare that the equipment submitted for Type Approval is in conformity with the requirements of following EU Directives:*

2006/42/EC The Machinery Directive  
2014/30/EU Electromagnetic Compatibility Directive

*We hereby declare that:*

Equipment Scissor Lift  
Model number JA6000S

*is in conformity with the applicable requirements of the following documents*

Ref. No	Title	Edition/date
2006/42/EC	Essential health and safety requirements relating to the design and construction of machinery	Annex I
EN 60204-1	Safety of machinery - Electrical equipment of machines-- Part 1: General requirements	2018
EN 1493	Vehicle lifts	2010
EN 61000-6-4	Electromagnetic compatibility (EMC) - Part 6-4: Generic standards - Emission standard for industrial environments	2019
EN 61000-6-2	Electromagnetic compatibility (EMC) - Part 6-2: Generic standards - Immunity for industrial environments	2019

I hereby declare that the equipment named above has been designed to comply with the relevant sections of the above referenced specifications and is in accordance with the requirements of the above Directive(s).

Signed by: .....

Full Name: Kasper  
Title: Director  
Location: Tune, Denmark  
Date: 26, Sep 2022



The technical documentation only for the machinery certified to the Test Standards as required by the Machinery Directive, is available from:

Name: CEM International Ltd  
Address: Westmead House Westmead Farnborough Hampshire GU14 7LP UK