

WE ARE HERE TO SURPRISE!



Original



Jema Autolifte

JA3000S-E

Lifting capacity 3000 kg.

Euroline

Mid rise "service" scissorlift

Installation, operation and maintenance manual



Jema Autolifte A/S
we are here to surprise!



Read this entire manual carefully and completely before installation or operation of the lift.
Reservations are made for printing, writing and spelling errors in this manual.

INDEX

1. Important safety instructions.....	3~5
1.1	Important notices
1.2	Qualified personnel
1.3	Danger notices
1.4	Notice of environment and condition
1.5	Warning signs
1.6	Sound level
1.7	Training
2. Overview of the lift.....	6
2.1	General descriptions
2.2	Technical data
2.3	Construction of the lift
3. Before installation.....	7
3.1	Preparations before installation
3.1.1	Tools and equipments needed
3.1.2	List for parts checking
3.1.3	Ground conditions
3.2	Precautions for installation
4. Installation instructions.....	8~10
4.1	Installation instructions
4.2	Items to be checked after installation
5. Adjustment, check and operation test	10
5.1	Adjustments, add oil and check the order of phases
5.2	Drainage adjustment
5.3	Operating test
5.4	Lowering safety (In case of being embedded)
6. To be checked after installation	11
7. Operating instructions	11
8. Troubleshooting.....	12
9. Maintenance	13
8. Annex.....	14~20

Annex 1, Overview Picture

Annex 2, Hydraulic diagram

Annex 3, Lift exploded drawing

Annex 4, Cylinder exploded drawing

Annex 5, 380V Electric wire diagram

Annex 6, CE Certificate

1. IMPORTANT SAFETY INSTRUCTIONS.

1.1 Important notices.

Jema Autolifte A/S provides the user with a 1 year warranty on the lift, if there is something wrong with the lift in service conditions, we will repair or replace the product in accordance with the user's requirements. Jema Autolifte A/S assumes no responsibility for incorrect installation and operation, overload operation, improper concrete pad (not conforming to the manual), normal mechanical wear and inadequate maintenance. The warranty will be performed based on the type and serial number of the equipment. Therefore, those obtainable by the users to the manufacturer when this demand.

This mid rise "service" scissorlift is specially designed to lift vehicles weighing less than its maximum lifting capacity. It is not allowed to use it for other purposes. If this is not respected, we will not assume liability to injury, accidental injury or damage to the lift. Read this manual carefully before operating lift. This allows the person or property damage Without our professional advice. it is not permitted to make changes in mechanics or control unit.

We recommend getting a professional installer to mount and security approve lifts. Before starting.

1.2 Qualified personnel.

- 1.2.1 Only these qualified staff, who have been properly trained, can operate the lift.
- 1.2.2 Electrical installation shall comply with local regulations and a qualified electrician must complete the connection.
- 1.2.3 People who are not trained are not allowed in the lifting area.

1.3 Danger notices.

- 1.3.1 Do not install the lift on an asphalt surface.
- 1.3.2 Read and understand all safety warnings before operating the lift.
- 1.3.3 Outdoor, sandblasting, undercoating and other environments that differ from general immortal auto mechanic tasks.
- 1.3.4 Keep hands and feet away from any moving parts. Keep feet clear of the lift when lowering.
- 1.3.5 Only qualified people, who have been properly trained, can operate the lift.
- 1.3.6 Do not wear unfit clothes such as large clothes with flounces, tirs, etc, which could be caught by moving parts of the lift.
- 1.3.7 To prevent evitable incidents, surrounding areas of the lift must be clean and tidy.
- 1.3.8 The lift is simply designed to lift the entire vehicles, witch has it's maximum weight within the lifting capacity.
- 1.3.9 Always insure the safety properly managed before any attempt to work near or under the vehicle.
- 1.3.10 Make sure to place the lifting pads to the positions as suggested by vehicle manufactures and when gradually lift the vehicle to the desired height, operators should be certain that the vehicle will not slant, roll-over or slide in lifting process.
- 1.3.11 Check at any time the parts on the lift to ensure the agility of moving parts and the performance of synchronization. Ensure regular maintenance and if anything abnormal occurs, stop using the lift immediately and contact our dealers for help.
- 1.3.12 Lower the lift to its lowest position and do remember to cut off the power source when service finishes.
- 1.3.13 Do not modify any parts of the lift without manufacturer's advice.
- 1.3.14 If the lift is going to be unused for a long time, users are required to:
Disconnect the power source and lubricate the moving parts with the correct lubrication.

Note: To protect the environment, any share disposed of according to current regulations.

1.4 Notice of environment and condition.

In general, this auto lift to be installed on the following terms:

1.4.1 Supply voltage: 0.9-1.1 nominal supply voltage.

1.4.2 Source frequency: 0.99 to 1.01 nominal frequency.

1.4.3 Ambient temperature: 5 ° C - 40 ° C

1.4.4 Height: must be at altitudes of up to 1000 m above sea level.

1.4.5 Humidity: Not to exceed 50% at 40 ° C

1.4.6 Atmosphere: Free from dust, acid fumes, corrosive gases and salt.

1.4.7 Avoid exposure to direct sunlight or heat rays that can alter the environmental temp.

1.4.8 Avoid exposure to abnormal vibrations.

1.4.9 Electrical equipment must withstand the effects of transport and storage temperature within a range of -10 ° C to 55 ° C and for short periods of max. +60 ° C - no more than 24 hours.

1.5 Warning signs.

All safety warning signs attached on the machine are for the purpose of drawing the user's attention to safety operation. The labels must be kept clean and need to be replaced when they are worn-out or fallen off. Read the explanations of the labels carefully and try to memorize them.



1. READ AND UNDERSTAND all safety warning procedures before operating lift.
2. KEEP HANDS AND FEET CLEAR. Remove hands and feet from any moving parts. Keep feet clear of lift when lowering. Avoid pinch points.
3. KEEP WORK AREA CLEAN. Cluttered work areas invite injuries
4. Consider work area environment. Do not expose equipment to rain. DO NOT use in damp or wet locations. Keep area well lighted.
5. ONLY TRAINED OPERATORS should operate this lift. All non-trained personnel should be kept away from work area. Never let non-trained personnel com in contact with, or operate lift.
6. USE LIFT CORRECTLY. Use lift in the proper manner. Never use lifting adapters other than what is approved by the manufacturer.
7. DO NOT override self-closing lift controls.
8. REMAIN CLEAR of lift when raising or lowering vehicle.
9. CLEAR AREA if vehicle is in danger of falling.
10. ALWAYS INSURE that the safeties are engaged before any attempt is made to work on or near vehicle.
11. DRESS PROPERLY. Non-skid steel-toe footwear is recommended when operating lift.
12. GUARD AGAINST ELECTRIC SHOCK. This lift must be grounded while in use to protect the operator from electric shock. Never connect the green power cord wire to a live terminal. This is for ground only.
13. DANGER! The power unit used on this lift contains high voltage. Disconnect power at the receptacle before performing any electrical repairs. Secure plug so that it cannot be accidentally plugged in during service.
14. WARNING! RISK OF EXPLOSION. This equipment has internal arcing or sparking parts which should not be exposed to flammable vapours. This machine should not be located in a recessed area or below floor level.
15. MAINTAIN WITH CARE. Keep lift clean for better and safer performance. Follow manual for proper lubrication and maintenance instructions. Keep control handles and/or buttons dry, clean and free from grease and oil.
16. STAY ALERT. Watch what you are doing. Use common sense. Be aware.
17. CHECK FOR DAMAGED PARTS. Check for alignment of moving parts, breakage of parts or any condition that may affect its operation. Do not use lift if any component is broken or damaged.
18. NEVER remove safety related components from the lift. Do not use lift if safety related components are damaged or missing.

1.6 Sound Level.

The sound emitted from the lift should not exceed 75DB. For the sake of your health, we suggest putting a noise detector in your working area.

1.7 Training.

Only these qualified people, who have been properly trained, can operate the lift. We are quite willing to provide professional training for the users when necessary.

2. Overview of the lift.

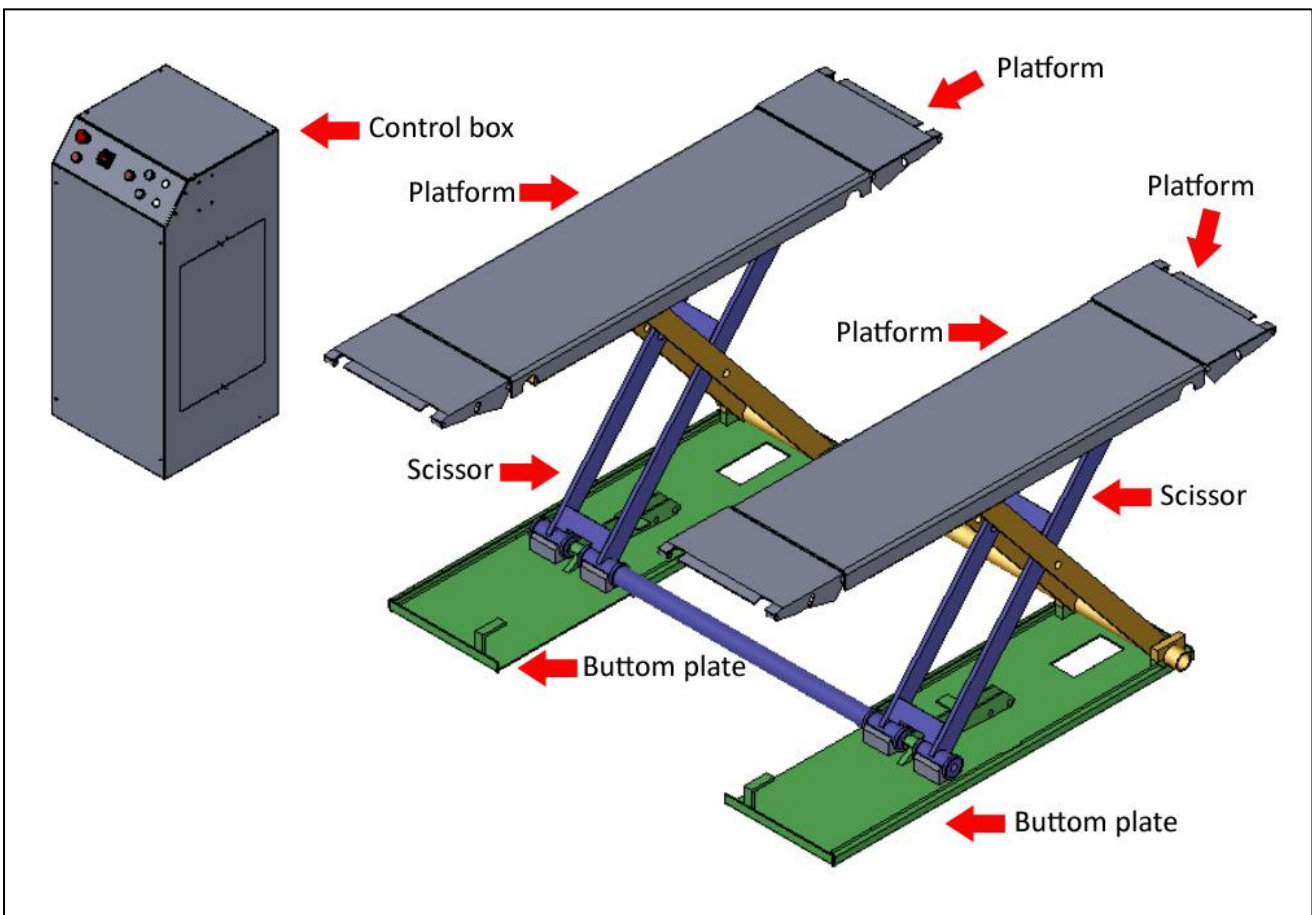
2.1 General descriptions.

lift is driven by an electro-hydraulic system. The gear pump delivers hydraulic oil to oil cylinders and pushes upwards their pistons to raise the platforms. For this model, we offer two safety solutions: one with anti-surge valve in hydraulic system to prevent sudden drop down of platform in case the oil hose brake. Without power you must open the control cabinet and turn the lowering valve manually so lift / vehicle goes back down.

2.2 Technical data.

Model	Lifting capacity	Lifting time	Lifting height	Height	Total width	Platform length	Power supply	Noise	Weight
JA3000S-E	3000KG	45 Sec	960mm	105mm	1860mm	1450mm	380V/420V, three phase	<75dB	500Kg

2.3 Construction of the lift



3. Before installation.

!!! We recommend getting a professional installer to mount the lift. !!!

3.1 Preparations before installation.

3.1.1 Tools and equipments needed.

- ✓ Appropriate lifting equipment
- ✓ Rotary Hammer Drill with 12 mm. drill bit.
- ✓ Chalk and tape measure, magnetic plumb.
- ✓ Sockets and a set of open wrenches, a set of inside hex wrenches ,cross and straight screw drivers.
- ✓ Hammer 4 pounds, sharp nose pliers, oil funnel.

3.1.2 List for parts checking

Unfold the package and check if any parts missed. Checklist is within the packing - Do not hesitate to contact us in case any parts missed, but if you do not contact us and insist installing upon the lack of some parts, Jema Autolifte A/S as well as our dealers will not bear any responsibility for this and will charge for any parts subsequently demanded by the buyer.

3.1.3 Ground conditions.

The lift should be fixed on a smooth and solid concrete ground with its strength more than 3000psi, tolerance of flatness less than 5 mm. and 120 to 150 mm. armed concrete thickness. In addition, newly built concrete ground must undergo more than 28days' hardening.

3.2 Precautions for installation.

3.2.1 Make sure the scissorlift stand correct and are vertical to the ground. No slanting.

3.2.2 All bolts, screws,nuts. Ect. should be firmly fastened.

3.2.3 Do not place any vehicle on the lift in the case of trial running.

4. Installation

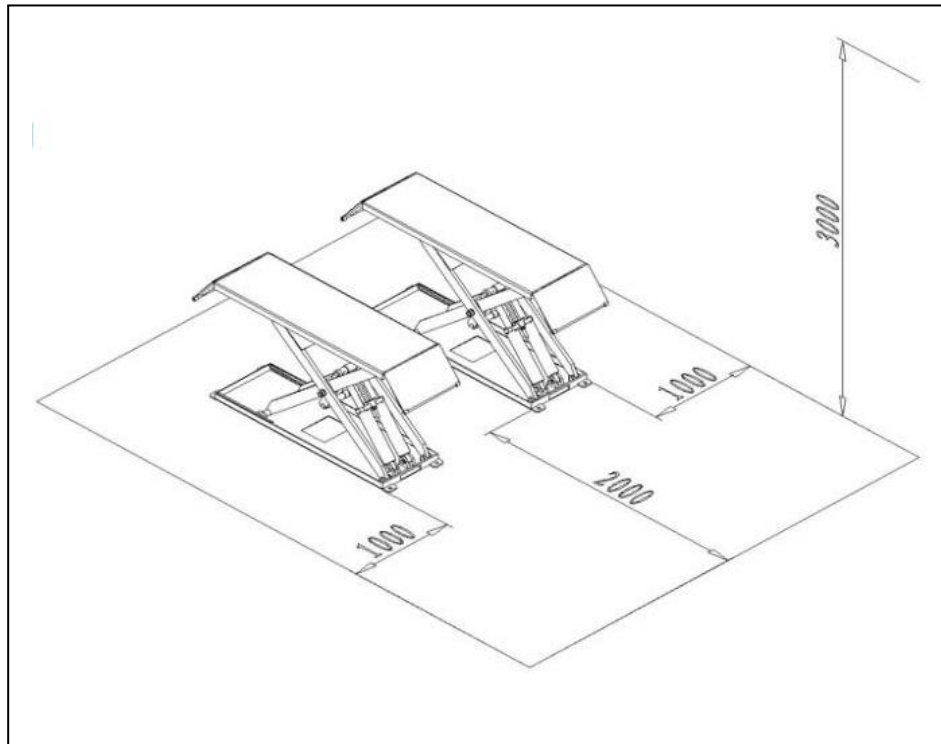
Move the whole unit to desired installation spot with a forklift.

(DO NOT MOVE THE LIFT, LIFTING ON THE SCISSORS SINCE THEY CAN BE DEFORMED!)

4.1 Installation instructions.

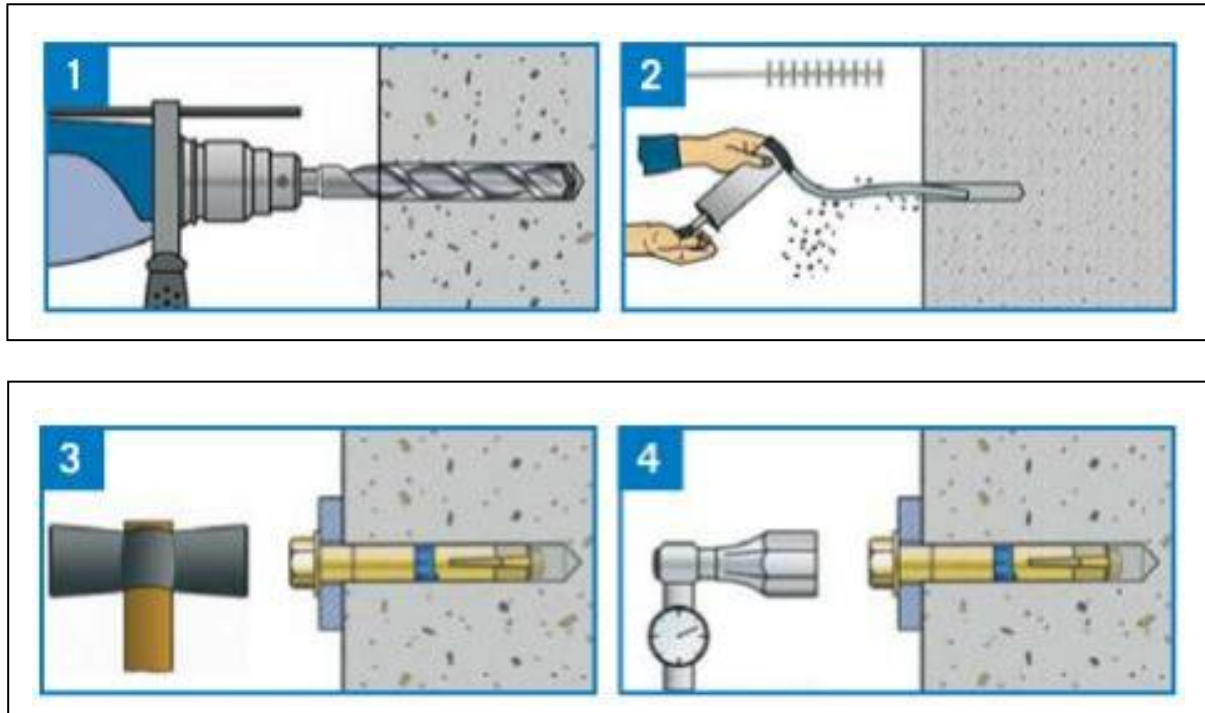
Step 1: Remove the packing, control box, oil hose and accessories. Read and understand this manual thoroughly before the next step.

Step 2: Take the scissorlift of the pallet and place the control box where it should be placed -> But within the length of the oil hose reach.



Step 3:

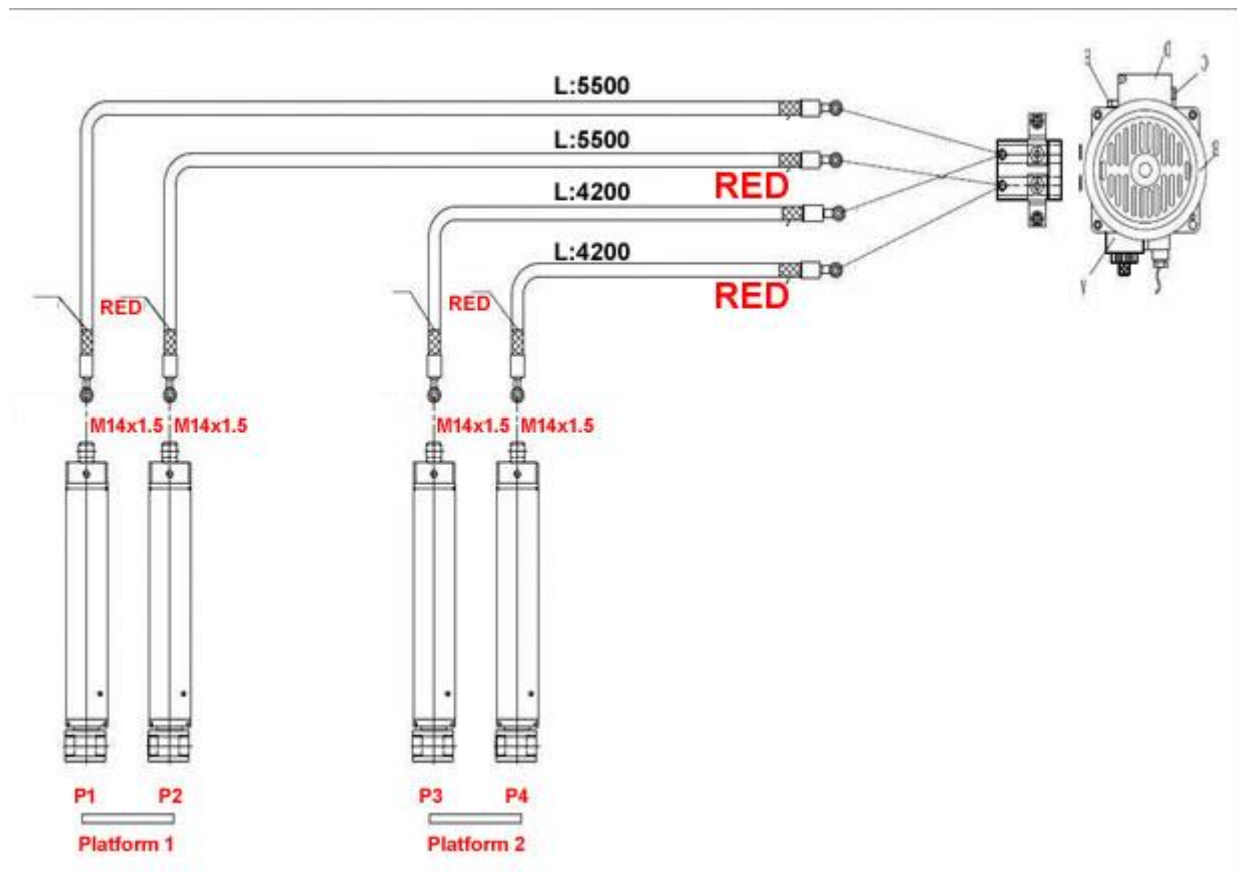
1. Drill holes in the floor to the Expansion bolts with a drillhammer. Be sure that the holes are drilled vertically into the concrete floor.
2. After the holes are drilled (see picture 1), remove dirt and dust from drilling the holes. Make sure that the columns are where drawn with chalk.
3. Expansion bolts knocked down, N.B. Do not tighten yet (see picture 2), bars soldered out of the enclosed sims. (See picture 3)
4. Expansion bolts tightened with a torque wrench (80 Nm. / 16 ft -lbs) - After Expansion bolts been tightened, check that the pillars are still plumb.



Step 4:

Oilhose installation.

Install the oilhose according to the oilhose diagram which is shown in the manual.

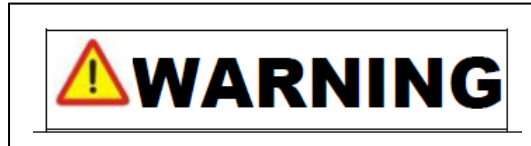


It's important to make sure that all connections are cleaned and tensioned so there is no oil leakages.

Step 5:

Electrical connection

For the connection it is recommended cable wire 5x1,5 mm² (3F + N + GND). The plug used should be a CE approved 380/400V plug with phase inverter - Follow the electric wire diagram (Page 18).



IMPORTANT : The use of protective fuses is recommended on the main supply line

5. Adjustment, check and operation test

5.1:

Adjustments, add oil and check the order of phases

Open the hydraulic oil tank, add 5L hydraulic oil (32) in to the oil tank, the hydraulic oil can be provided by Jema Autolifte, one of our dealers or by you as a end-user – It is just very important that the oil used is a hydraulic oil 32 in a good quality. Make sure th hydraulic oil tank is clean to prevent any impurity into the oil line, which could lead the obstruction of the oil line damages on the solenoid valve.

Check carefully to ensure that the electrical connections have been made properly by pushing briefly on the “UP” button. If the lift goes up, connections have been made properly. If the lift does not go up, the three phases in the main supply connection should be interchanged. The main switch should be previously disconnected.

5.2:

Drainage adjustment

Switch on the lift and check that the oil tank is full. Press the “UP” button. The first time, the cylinders may perform jerking movements, which is normal and due to air in the circuit. Continue the lifting until the lift reaches the maximum height. STOP pushing the “UP” button when the lift reach maximum height, since it could cause damages in the hydraulic system. Lower the lift to ground (Lowest) position, and repeat the bleeding process again.

5.3:

Operating test

Press the “UP” button (SB1). The lifting will start immediately as far as the engine starts. As soon as the button is released, the lift will stop and will be ready to be used.

Press “DOWN” Button (SB2). The lift will start lowering.

5.4:

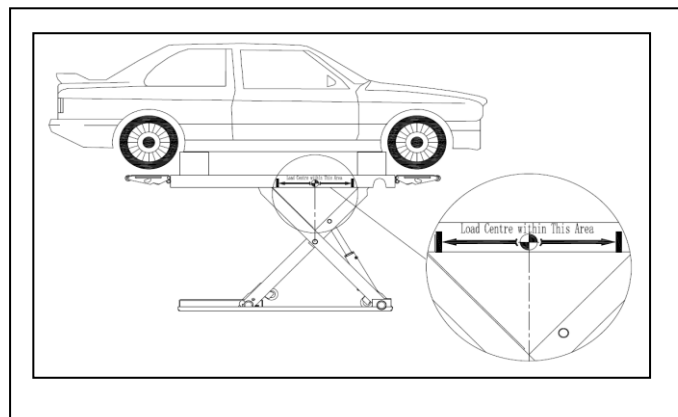
Lowering safety (In case of being embedded): The lift is equipped with a lowering stop at approx. 300mm from the floor to prevent accidents during lowering. To continue to the lowest position, the “DOWN FEET SAFETY” button must be pressed allowing the lift to descend while sounding an acoustic danger warning.

Work safe: After vehicle is raised to the desired height, turn off the power before entering work area. Do not allow cylinders to become slack.

6. To be checked after installation

.NO.	Check	ok	no
1	The lift is placed on a stable surface?		
2	Platform mounted securely?		
3	Is Bottom Stop, top stop, safety wire contact adjusted?		
4	Is the wiring connectors connected correctly?		
5	Is the rest of the joints tightened correctly?		
6	Are all places that need lubrication, lubricated?		

7. Operating instructions



Before entering a car on the lift, make sure that the platforms are at it's lowest position. When placing a car on the lift, the weight must be as centered as possible. Read operating and safety manuals before using the lift. Load vehicle onto the lift using the vehicle lifting guide to determine proper lifting points. Position vehicle over the platforms. NEVER use the lift without placing the rubber bricks between the car and lifting platforms!

8. Troubleshooting.

NOTE: If the problem can not be resolved locally, please do not hesitate to contact us for help. We offer our service as quickly as possible. To quickly solve a problem, we will provide as much information as possible, possibly photos of problem.

Symptom	Cause	Resolution
The engine does not work	The power cable is not plugged in by the power outlet.	<i>Connect the power cable to the power socket.</i>
	The AC contactor does not work.	<i>If the engine works by forcing the contactor with an isolation rod, replace the contactor.</i>
	The limit switch is not closed.	<i>Check the limit switch, its cable and adjust/ or replace the device.</i>
In lifting operation, the motor runs, but there is no lifting movement.	The motor turns reverse.	<i>Modify the phases of the power cables</i>
	Lifting with light load works normally but not with heavy load.	<i>The pressure of the overflow valve can be increased by turning the right knob slightly. The solenoid coil is defective and should be replaced</i>
	The amount of hydraulic oil is not enough.	<i>Add hydraulic oil.</i>
When the "DOWN" button is pressed, the lift does not lower	The descent valve is activated but it does not work	<i>Check the plug and spool of the drop valve, check the correct nut seal. Should it be replaced</i>
	The Parachute Valve is blocked	<i>Remove the parachute valve from the oil supply hole at the bottom of the cylinder and clean the device.</i>
The lift lowers very slowly when subjected to weight loads in the standard range.	Hydraulic oil has a high viscosity, is deteriorated or frozen (in winter)	<i>Replace the oil with an oil conforming to the operating manual.</i>
	The "antiknock valve", inside the cylinders, is blocked.	<i>Remove the parachute valve from the oil supply hole at the bottom of the oil cylinder and clean the device or replace</i>
Platforms P1 and P2 are misaligned	The air in the hydraulic circuit has not been completely removed.	<i>Refer to page 18 "Oil Pressure Adjustment".</i>
	Oil leakages along the oil pipe or one of its joints.	<i>Check the sealing of the hydraulic circuit, then adjust the pressure and the level of the oil.</i>
	The oil drain valve does not close properly	<i>Replace the oil drain valve, if necessary, add oil</i>
Noisy lifting and lowering movements	Lubrication is not enough	<i>Lubricate all pins and sliding parts (including piston rod) with mechanical oil.</i>
	The floor is not well leveled or the base of the lift does not adhere well to the floor.	<i>Adjust the leveling of the floor to properly adhere the lift to the floor.</i>

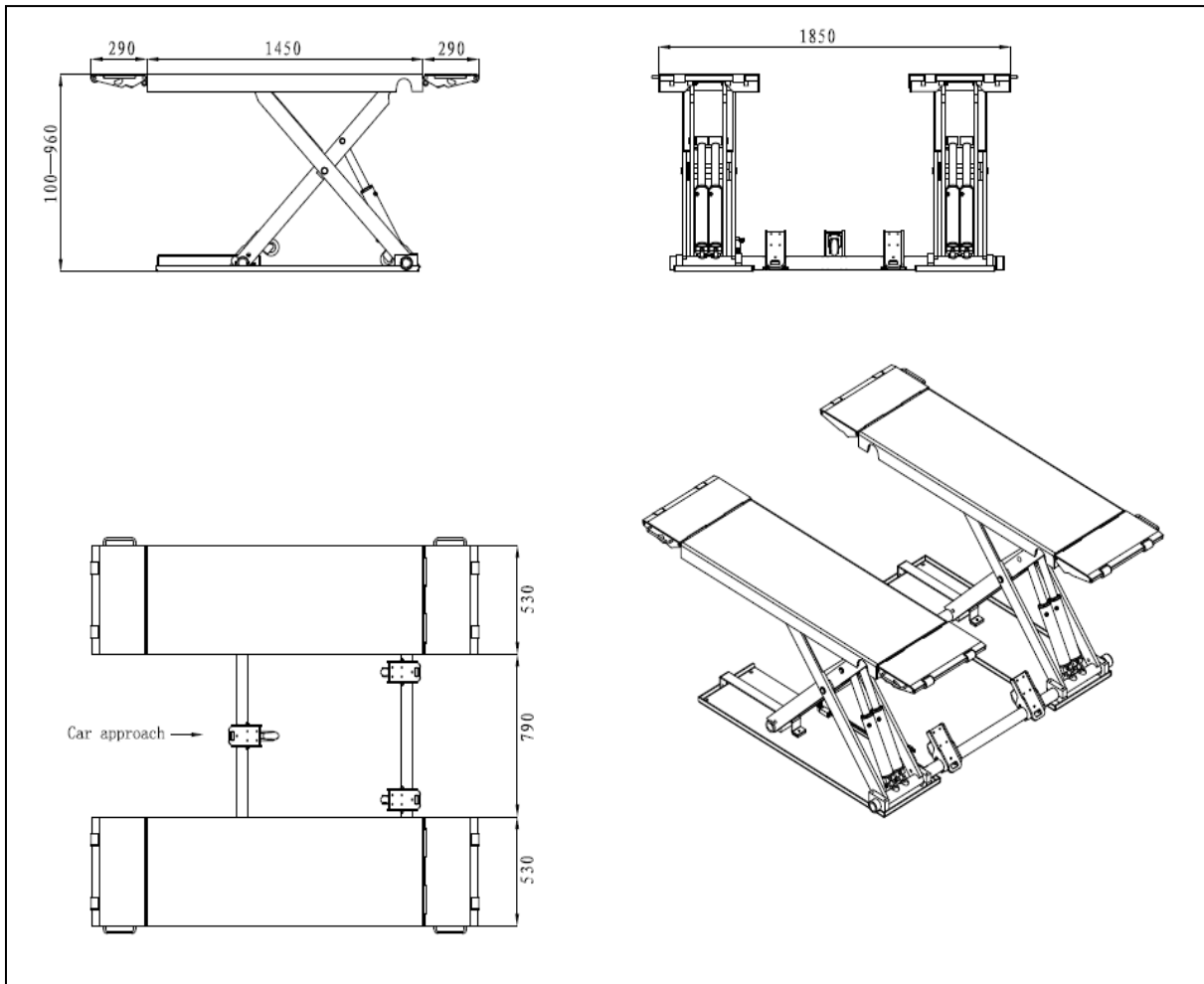
9. Maintenance.

Easy and inexpensive maintenance can ensure that your lift works optimal and safe. The following are requirements for normal maintenance. You can choose the frequency of routine maintenance according to the daily load on the lift.

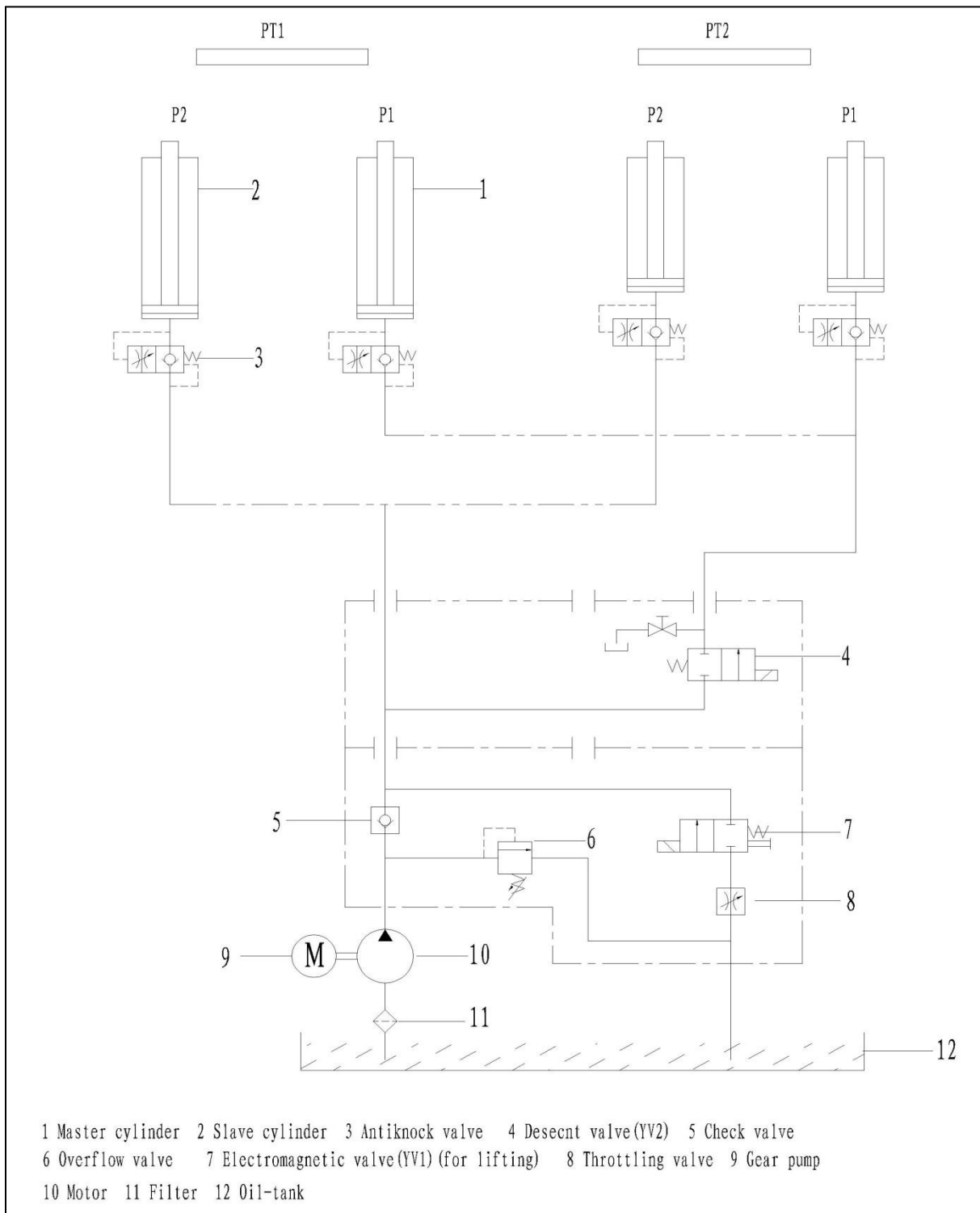
DAILY MAINTENANCE	Own	Personnel competent and specialized
Check the level of the tank and fill it if it is necessary up to 1cm below the filling cap	✓	✓
WEEKLY MAINTENANCE	Own	Personnel competent and specialized
Lubricate the sliding blocks and keep the surface clean	✓	✓
Lubricate the bearings	✓	✓
MANUFACTURER MAINTENANCE	Own	Personnel competent and specialized
Clean the filter of the tank every 6 months	✓	✓
Disassemble the sliding blocks and the lateral plates and lubricate	✓	✓
Change the oil every 12 months	✓	✓
Perform maintenance operation described in the Review Check List (ref.001359) marked by Velyen every 12 months	NO	✓

If the user carefully follows the above requirements for maintenance, lift kept in good condition and accidents will largely be avoided.

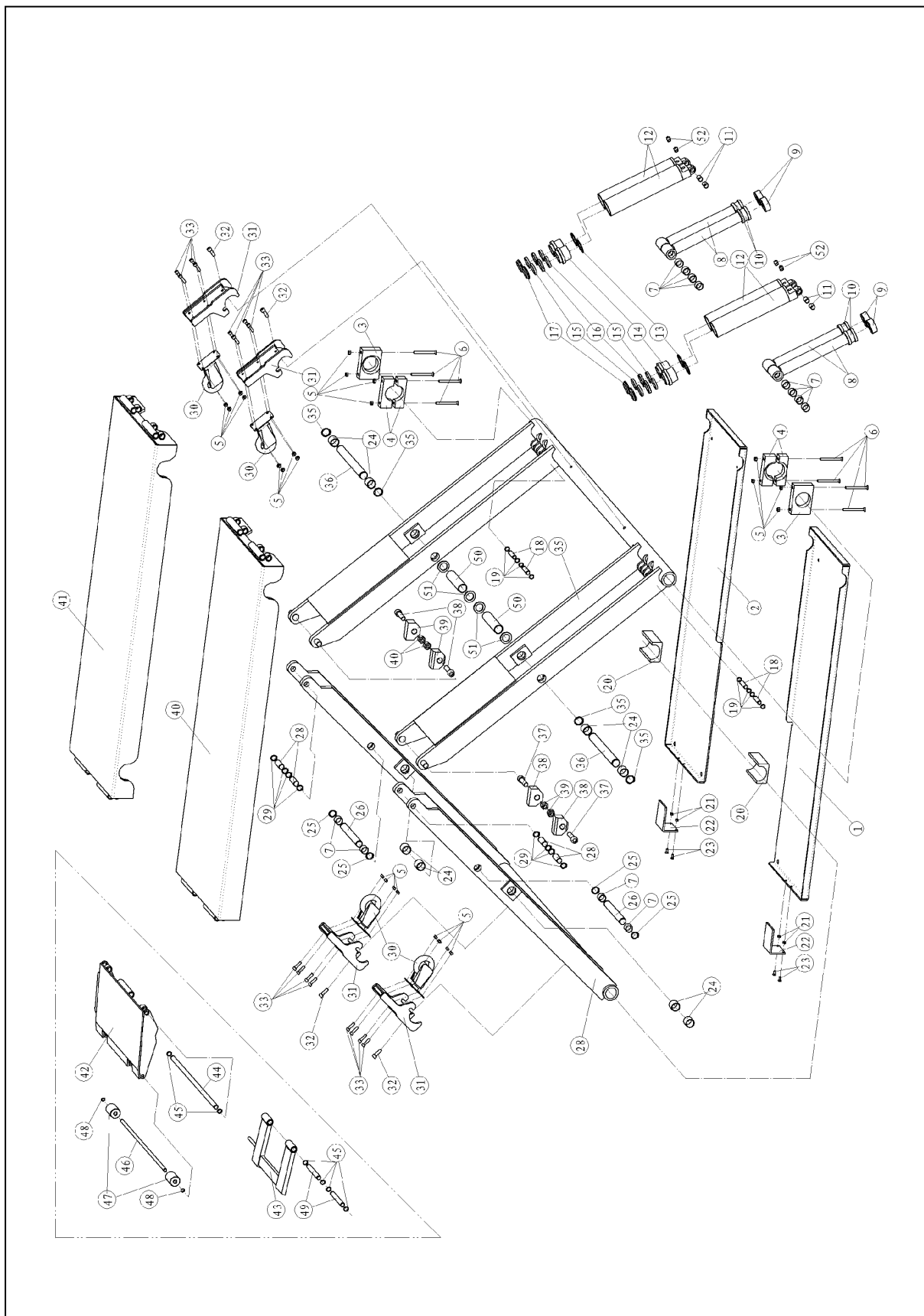
Annex 1, Overview Pictures:



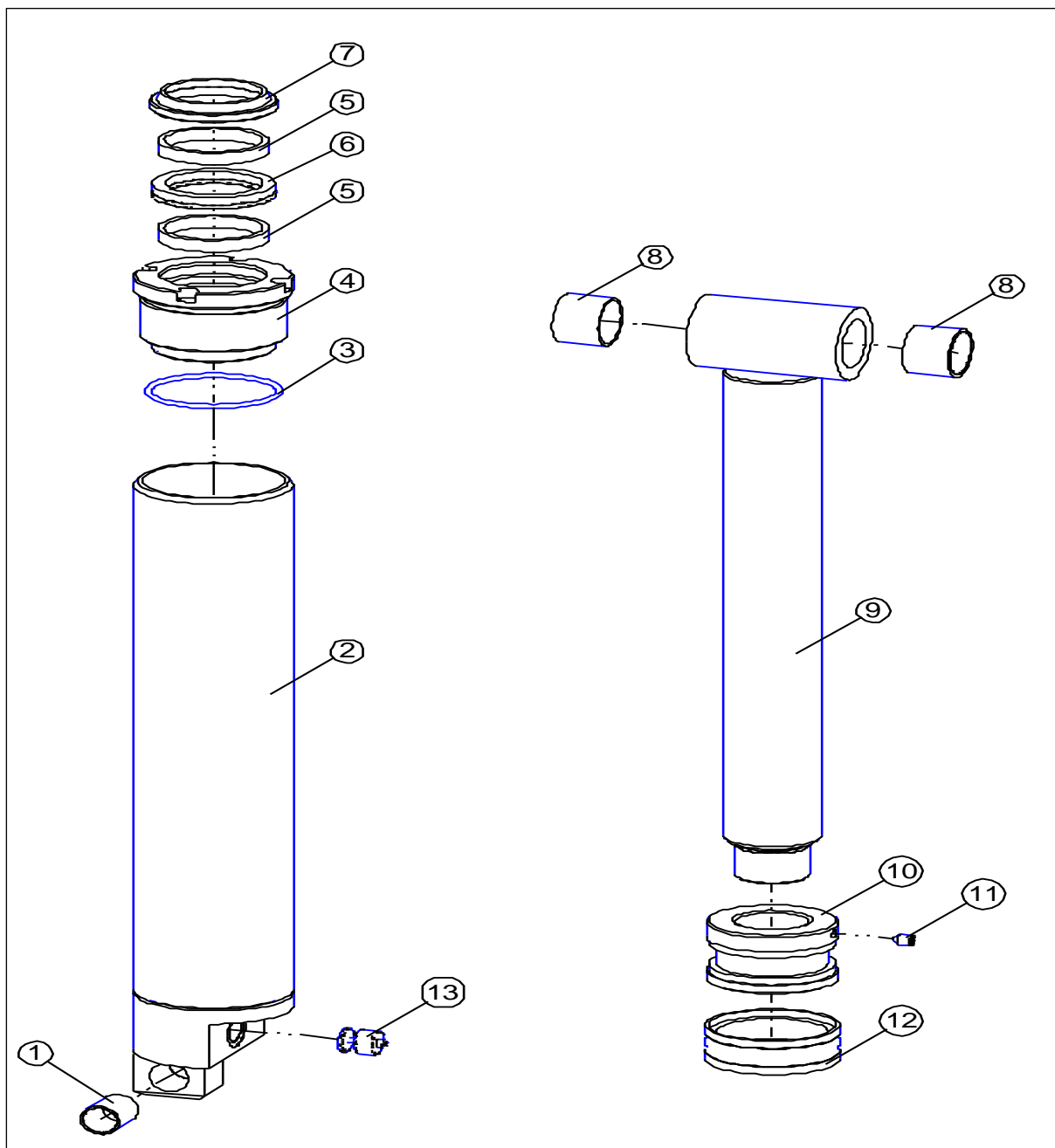
Annex 2, Hydraulic diagram



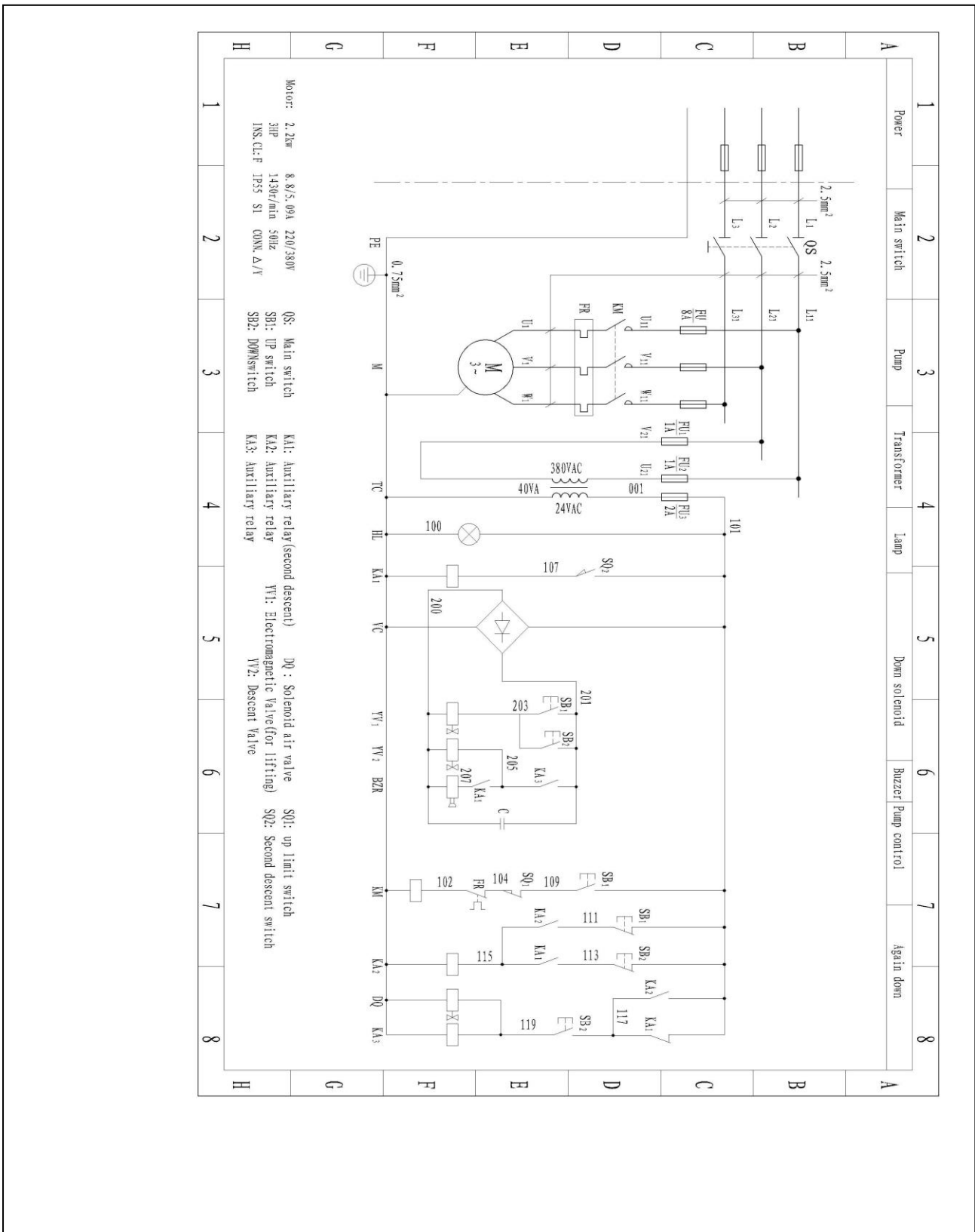
Annex 3, Lift exploded drawing



Annex 4, CYLINDER EXPLODED VIEW



Annex 5, 380V electric wire diagram



Annex 6, CE certificate.



The manufacturer:

XXXXXXXXXXXXXXXXXXXXX.

XXXXXXXXXXXXXXXXXXXXX

XXXXXXXXXXXXXXXXXXXXX

XXXXXXXXXXXXXXXXXXXXX, Italy

Hereby declares under its sole responsibility that the product

Description: Mid rise scissorlift
Model: JA3000S-E / GT-MR 3.0 Mobile
Serial no.:

fulfils all the relevant provisions of the following European Directives

2006/42/CE Machine Directive

2006/95/CE Low Voltage Equipment

and Harmonized Standards and technical specifications used in (where applicable)

EN 1493:2011 VehicleLifts

EN 12100: 2012 Safety of machinery - General principles for design - Risk assessment and risk reduction.

EN 60204 -1:2007 Safety of machinery. Electrical equipment of machines. General requirements

XXXXXXXXXXXXXXXXXXXXX certifies that this machine has successfully passed the EC-type test according to Standard EN 1493:2011. The technical file is available to the European Authorities for future review.

Firma/Signature:

Responsible:



Industrihegnet 2
4030 Tune
Denmark

Website: www.jemaautolifte.dk

Mail: info@jemaautolifte.dk

Phone No. (+45) 48180300

Jema Autolifte
We are here to surprise!