

**Basic Line
JA4000FP
4 Post Mobile car lift**



Jema Autolifte A/S
we are here to surprise!



Jema Autolifte Basic line mobile 4 Post lift JA4000FP

JA4000FP 4 Post lift is the first mobile 4 post lift to be CE approved by CEM International. JA4000FP is an excellent auto lift solution for hobby workshop or semi-professional user. The 4 Post lift is extremely user-friendly as it is mobile! (Wheel kit optional) JA4000FP is easy to mount any jack (optional)

The JA4000FP 4 Post lift is one of our classics, which we have redesign in 2022 to improve the product.

The user for sure gets value for money with this product. Without a doubt the best 4 Post economy lift on the market.

Technical specifications

- Loading capacity 4000 kg.
- Rise time 50 sec.
- Drop time 40 sec.
- Lifting height 1850 mm
- 220V power supply
- Motor power 2.2 Kw
- Noise level 70 db
- Safety valve
- Weight 900 kg.
- Manually safety lock release
- CE Approved by CEM international



SAFETY first

Jema mobile 4 post lift is the first lift of its kind to be CE approved by CEM International. JA4000FP has 4 point safety locks, with manually release

Safety buzzer

JA4000FP has top and bottom limited switches, When the lift reach 20 cm from ground the user has to re-push the down button and the safety buzzer starts and the lift will start when lowering again.

Double parking/Possible to add Jack

JA4000FP can both be used as a double parking lift or the user can add a jack between the runways and use it as a normal 4 post lift (Just mobile).

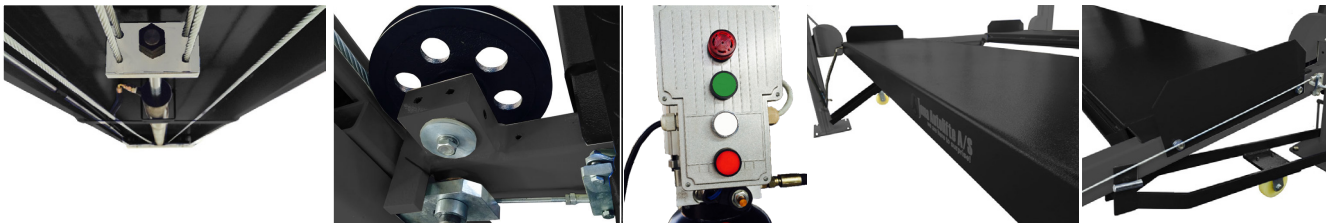
Wheel kit

With the optional wheel kit, it is possible within a few minutes to add the wheel kit and then move the JA4000FP around where it is best for the use. The perfect solution for the private or small garage with limited space!

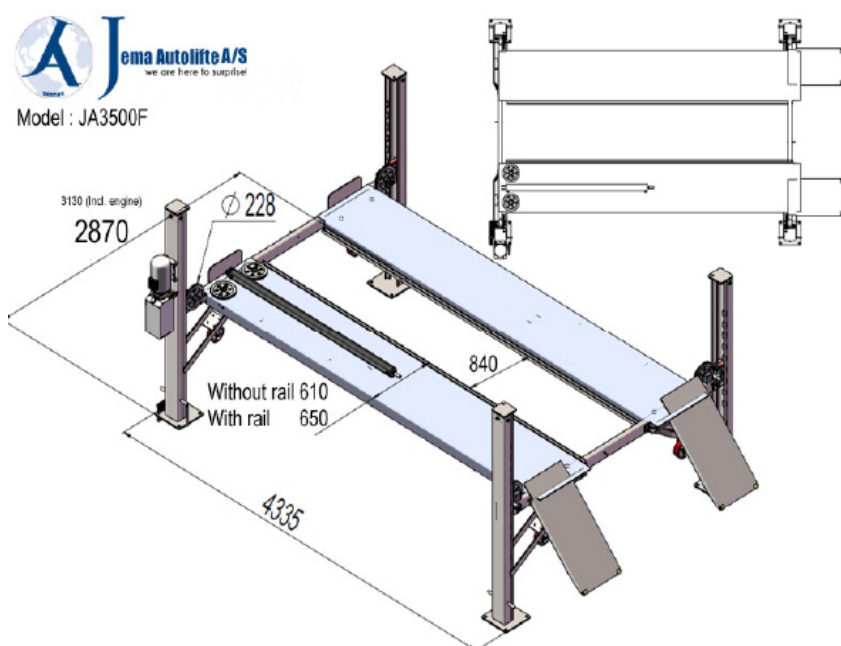


The mobile 4 Post lift JA4000FP is one of our classics that we have made a redesign in 2022 to improve the product. The user for sure will get value for money. Without a doubt the best 4 Post economy lift.

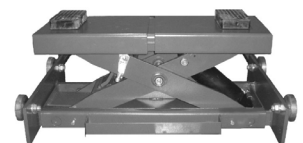
JA4000FP is CE approved by CEM International



Model : JA3500F



JA1600J-AIR



JA1600J-OIL

