

Basic line DWB+ Tyre changer



Jema Autolifte A/S
we are here to surprise!



Jema Autolifte Tyre changer DWB+ with helping arm

The Basic Line Tyre changer DWB+ is a great machine with a userfriendly helping arm, the machine is suitable for your hobby shop or semi-professional user.

DWB+ comes with tyre inflator. DWB+ interior grip is 12-20" and the exterior handle 10-17".

Optional Extras MC adapters for your motorcycle and plastic mounting head so you do not scratch the rims.

Jema tyre changer DWB+ has CE approval certificate!

Technical specifications

- Noise level 75db
- 220V power supply
- Motor power 1.1kW
- Air pressure 8bar
- Max. wheel diameter 41"
- Max. wheel width 14"
- Inner clamp 12-20"
- Outer clamp 10-17"
- Tyre changer weight: 200kg
- CE Approved



Mounting/Demounting head

DWB+ is produced with a metal mounting head and a very userfriendly helpingarm. Plastic KIT and mounting head is Optional.

Turningplate

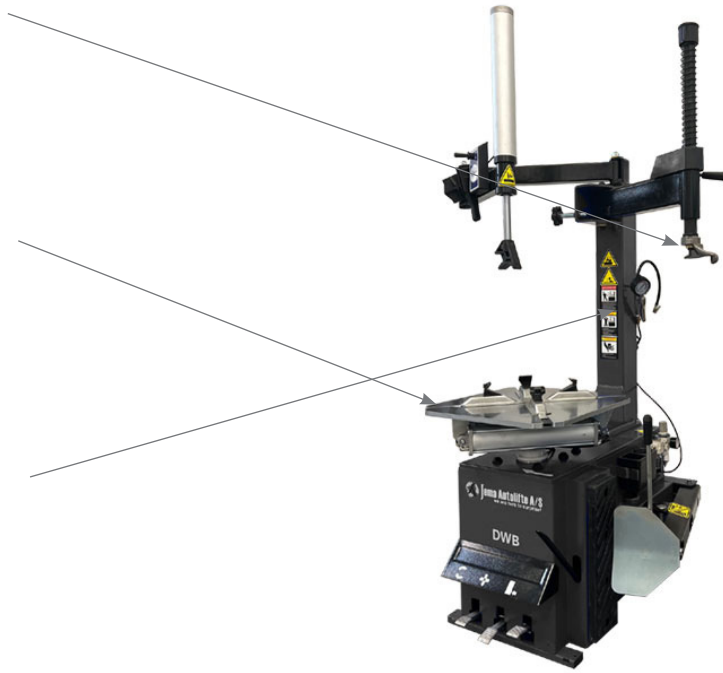
DWB+ has the following
Outside clamping 10"-17"
Inside Clamping 12"-20"
Plastic clamps protection is optional.

Tyre inflator

DWB+ comes with tyre inflator.

Bead breaking shovel

DWB+ has shovel facilitate bead breaking without damaging the and tyre.



DWB+ is semi-automatic, suitable for cars, motorcycle and light truck. 20" turnable and powerful motor.

The tyre changer DWB+ is CE approved

