

Basic line DWB Tyre changer



Jema Autolifte A/S

we are here to surprise!



Jema Autolifte Tyre changer DWB

DWB Basic Line Tyre changer DWB is suitable for your hobby shop or semi-professional user.

DWB comes with tyre inflator. DWB interior grip is 12-20" and the exterior handle 10-17".

Optional Extras MC adapters for your motorcycle and plastic mounting head so you do not scratch the rims.

Jema tyre changer DWB has CE approval certificate!

Technical specifications

- Noise level 75db
- 220V power supply
- Motor power 1.1kW
- Air pressure 8bar
- Max. wheel diameter 41"
- Max. wheel width 14"
- Inner clamp 12-20"
- Outer clamp 10-17"
- Tyre changer weight: 195kg
- CE Approved



Mounting/Demounting head

DWB is produced with a metal mounting head. Plastic protectionkit and plastic mounting head is Optional.

Turningplate

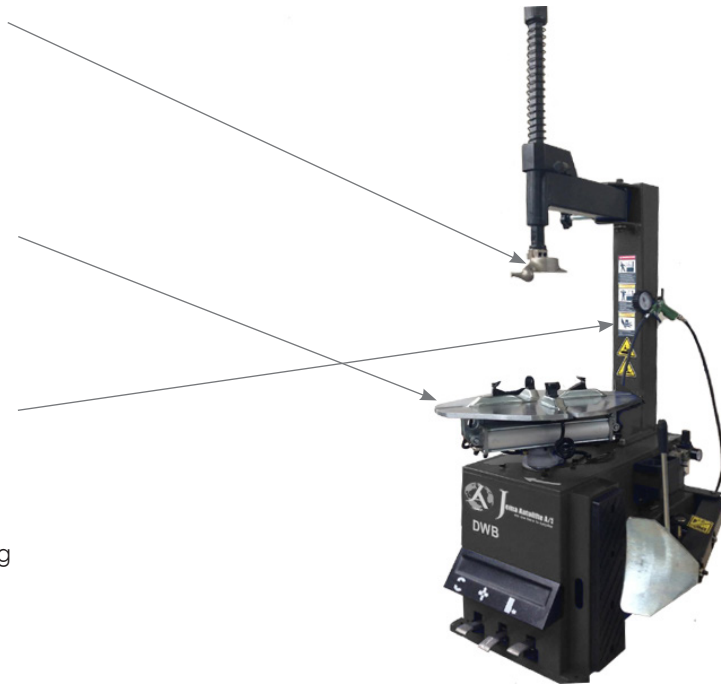
DWB has the following
Outside clamping 10"-17"
Inside Clamping 12"-20"
Plastic clamp protection is Optional.

Tyre inflator

DWB comes with tyre inflator.

Bead breaking shovel

DWB has shovel facilitate bead breaking without damaging the and tyre.



DWB is semi-automatic, suitable for cars, motorcycle and light truck. 20" turnable and powerful motor.

The tyre changer DWB is CE approved

