

SR898-EUK



Mounting Pattern
200 x 200 up to
900 x 600mm



Max Load
300lb (136.1kg)
20 lb (9.1kg) per shelf

SMARTMOUNT. Flat Panel Trolley

FOR 55" TO 110"+ DISPLAYS

The SR898 SmartMount® Flat Panel Trolley provides all of the necessary features to support your mobile display deployment, whether that's in a boardroom or a classroom. The minimalistic, tubular design provides a clean aesthetic by hiding all cabling through the internal structure. The trolley also includes a IEC pass through cable that is neatly stored in the rear hinging compartment. This protects the cord from damage, but also makes moving your display from room-to-room a breeze. The rear ABS molded cover helps hide any cabling, media players, or mini PCs, which means behind the display will not look cluttered if the trolley is placed where the back is visible.



Included IEC cable is preinstalled through the trolley tubing (C13 at top)

REMOVABLE REAR COVER

Sits behind the rear of the display and provides a clean, concealed area for managing cabling and components (Shelf is made of ABS plastic; materials do not degrade WiFi signals)

HEIGHT ADJUSTMENT

Allows displays to be positioned 1.25m to 1.65m from the floor



IEC cable exits the trolley tubing and is managed at the rear of the trolley (C14 at bottom)

HIDDEN CABLE MANAGEMENT

Hinged rear cover provides hidden storage for the power cable when moving or storing the trolley

SAFE AND EASY MANEUVERABILITY

4" (102mm) dual-wheeled casters (two locking) allow the trolley to easily move across tile, carpet, and thresholds

- Improved leg design offers better movement around the display, such as when using a touch display or presenting to an audience
- Tube design and spacing allows for an easier way of transporting the display thanks to flexible handling locations
- 813 x 279mm fixed shelf provides a convenient place to set laptops, notebooks, pens, etc.
- Optional ACC-UCM accessory can be added to the rear of the trolley for mounting of additional AV devices
- Tested to UL Standards
- Includes preinstalled IEC Cable



Complies with ADA Standards for Accessible Design, Section 308



The frame design of the trolley is optimized for storing multiple trolleys in a reduced footprint



The leg design allows the trolley to easily pass through doorways as small as 30" (762mm) wide

Please visit peerless-av.com/en-us/patents for patent information.



info@peerless-av.com
peerless-av.com

peerless-AV®
Driving Technology Through Innovation

SR898-EUK	SmartMount® Flat Panel Trolley for 55" to 110"+ Displays
------------------	--

Product Specifications

	DIMENSIONS (W X H X D)	PRODUCT WEIGHT	LOAD CAPACITY	FINISH	AVAILABLE COLOURS
SR898-EUK	36.44" x 77.69" x 29.39" (926 x 1973 x 747mm)	89lb (40.4kg)	300lb (136.1kg)	Textured Powder Coat	Black

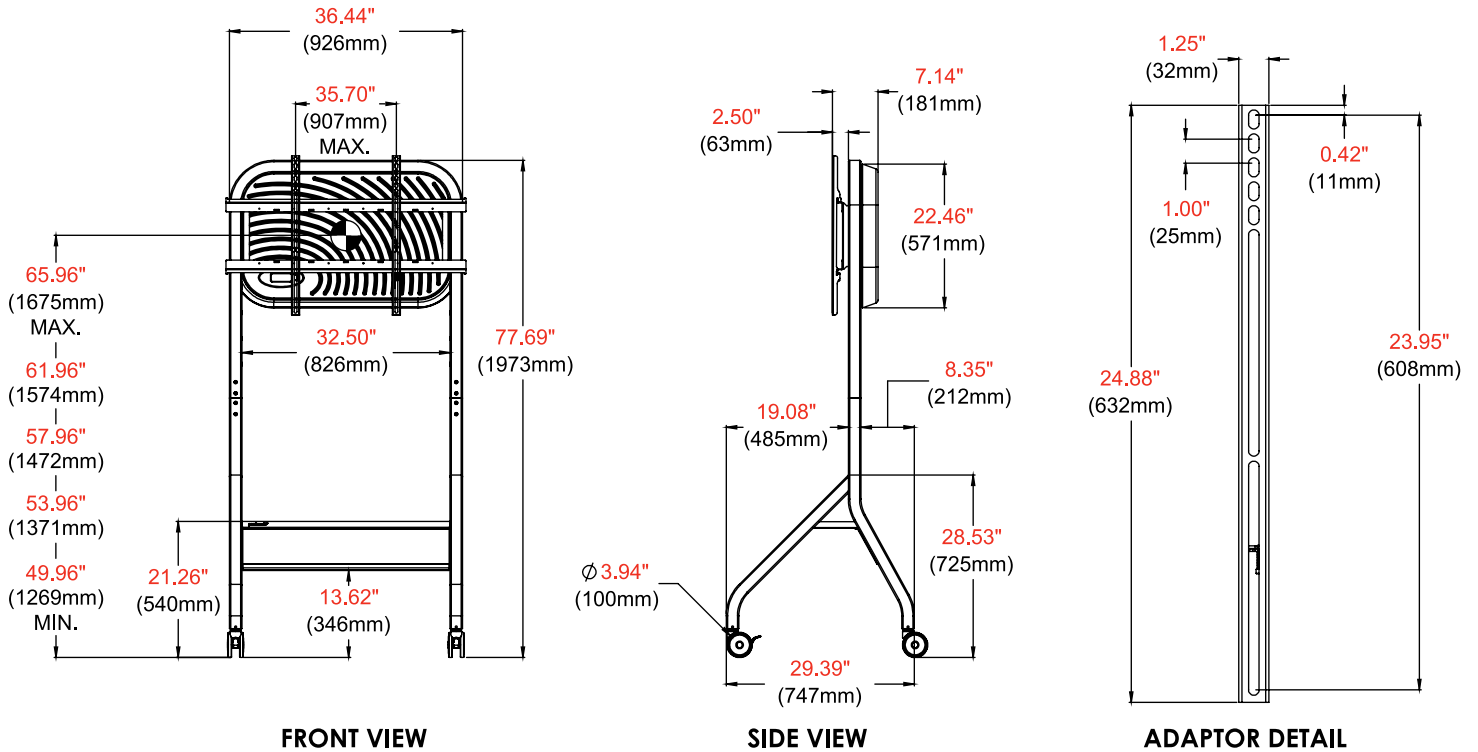
Package Specifications

	PACKAGE SIZE (W x H x D)	PACKAGE SHIP WEIGHT	PACKAGE UPC CODE	PACKAGE CONTENTS	UNITS IN PACKAGE
SR898-EUK	47.75" x 38.25" x 12.50" (1213 x 972 x 318mm)	109lb (49.4kg)	735029351016	Right and Left Frames, Upright Tube, Steel Shelf, Universal Display Adaptor, (2) Swivel Casters, (2) Locking Swivel Casters, ABS Rear Cover, Hardware & Instructions	1

Accessories

ACC149	(2) 600mm tall Adaptor Brackets	ACC-SB2	Large Universal Soundbar / VC Mount
ACC152	Replacement Caster Kit (2 locking, 2 non-locking) 300lb	ACC-UCM:	Universal AV Component Mount
ACC310:	Leveling Feet Accessory	ACC-V1500:	1200 and 1500mm VESA® Adaptor

All dimensions = inch (mm)



Architect Specifications

The SmartMount® Flat Panel Trolley shall be a Peerless-AV model SR898-EUK and shall be located where indicated on the plans. Assembly and installation shall be done according to instructions provided by the manufacturer.

Visit peerless-av.com to see the complete line of AV solutions from Peerless-AV, including outdoor displays, kiosks, display mounts, projector mounts, trolleys/stands, and a full assortment of accessories.

Peerless-AV
2300 White Oak Circle
Aurora, IL 60502
USA
(800) 865-2112
(630) 375-5100

Peerless-AV EMEA
Unit 2 Curo Park
Frogmore, St. Albans
Hertfordshire, AL2 2DD
United Kingdom
+44 (0) 1923 200 100

Peerless-AV B.V.
Papendorpseweg 75
3528 BJ Utrecht
The Netherlands
+31 (0) 70 770 8037

Peerless-AV Latin America
Av. de las Industrias 413
Parque Industrial Escobedo
General Escobedo, N.L.,
México, 66062
+52 (81) 8384-8300

