

SR560-HUB2



Mounting Pattern
350 x 350mm
(13.78" x 13.78")



Max Load
65lb
(29.5kg)

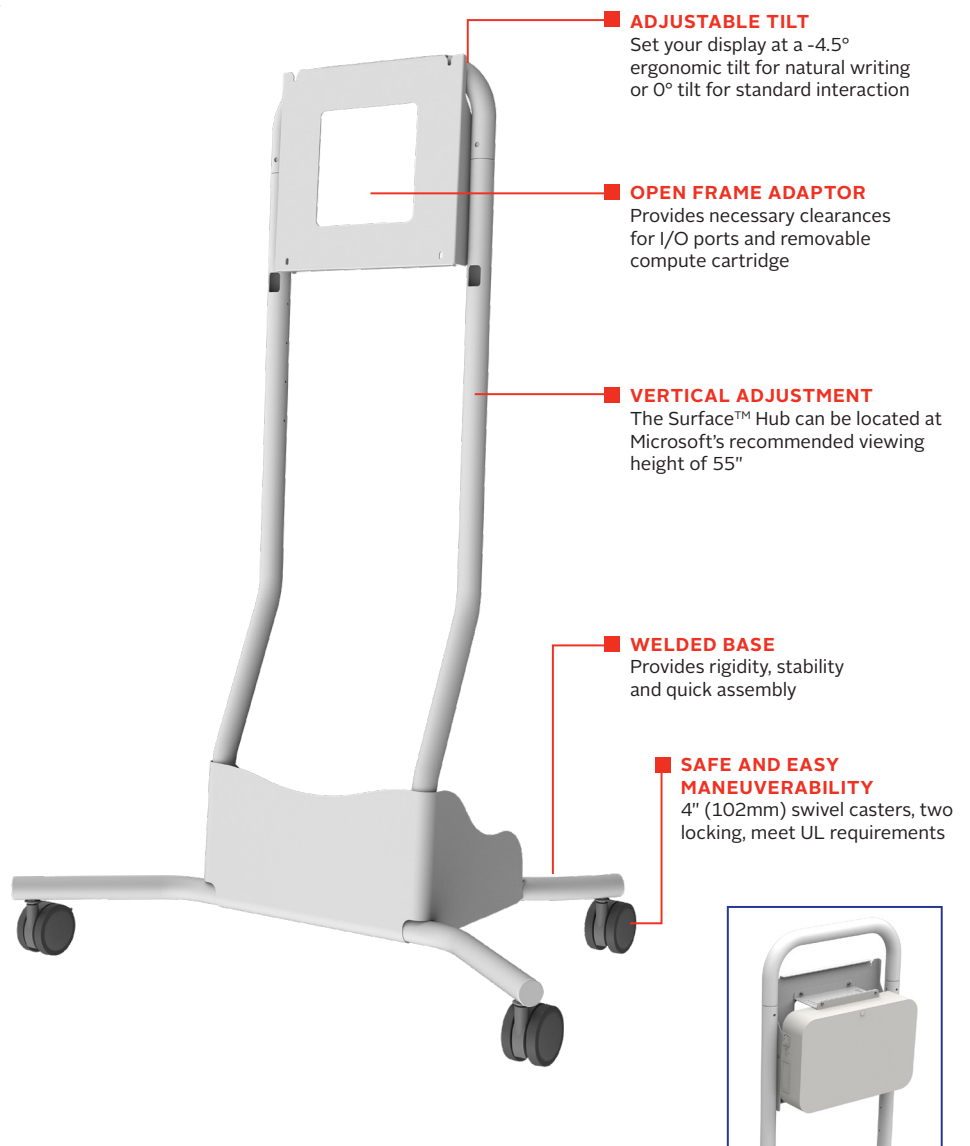
SMARTMOUNT.

Flat Panel Trolley

FOR THE 50" MICROSOFT® SURFACE™ HUB 2S & 3

The Peerless-AV® SmartMount® Flat Panel Cart is designed to safely mount, move, and store the 50" Microsoft® Surface™ Hub 2S and 3. The cart is load rated up to 65lb, sits at Microsoft's recommended viewing height (55"), and offers vertical adjustment so the display can be positioned at incremental heights 48" to 60" from the floor. The cart also provides clearance to the removable compute cartridge so this can be upgraded without removing the display. Locking 4" casters provide a stable foundation for touch applications, while cable management channels completely hide the cabling inside the uprights. Ideal for corporate, education or hospitality applications, the SR560-HUB2 is the perfect mobile solution for the 50" Microsoft® Surface Hub.

- Specifically designed for the 50" Microsoft® Surface™ Hub 2S & 3
- Product complies with the Microsoft® Site Readiness Guide
- Display can be located vertically along the column 48"-60" from the floor, adjusted in 3" increments
- Internal cable management protects, contains and conceals cables for a clean, professional installation
- Flat white powder coat finish complements the finish of the Microsoft® Surface™ Hub
- Dedicated mount fits the 50" Microsoft® Surface™ Hub 350 x 350mm mounting pattern and includes the proper depth mounting bolts
- Corner bumpers prevent damage to doors and walls while moving or storing the trolley



Shown with UPS Mounting Brackets (ACC-CSH2) for Mounting the APC CSH2 to the Peerless-AV® SR560-HUB2



RoHS



COMPLIANT

info@peerless-av.com

peerless-av.com

peerless-AV®
Driving Technology Through Innovation

SR560-HUB2	SmartMount® Cart for the 50" Microsoft® Surface™ Hub 2S & 3
-------------------	-------------------------------------------------------------

Product Specifications

	DIMENSIONS (W X H X D)	PRODUCT WEIGHT	LOAD CAPACITY	FINISH	AVAILABLE COLOURS
SR560-HUB2	46.18" x 68.19" x 28.60" (1172 x 1732 x 726mm)	58.2lb (26.4kg)	65lb (29.5kg)	Flat Powder Coat	White

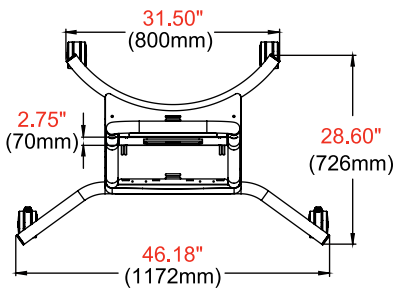
Package Specifications

	PACKAGE SIZE (W x H x D)	PACKAGE SHIP WEIGHT	PACKAGE UPC CODE	PACKAGE CONTENTS	UNITS IN PACKAGE
SR560-HUB2	67.50" x 31.50" x 12.00" (1715 x 800 x 305mm)	85.5lb (38.8kg)	735029339205	Assembled Base, (2) Vertical Columns, (2) Swivel Casters, (2) Locking Swivel Casters, Bottom Shelf, Hardware and Instructions	1

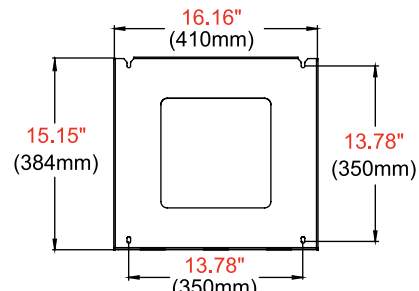
Accessories

- ACC116:** Rear Facing Steel Shelf
- ACC-CSH2:** UPS Mounting Brackets for mounting the APC CSH2 to the Peerless-AV® SR560-HUB2

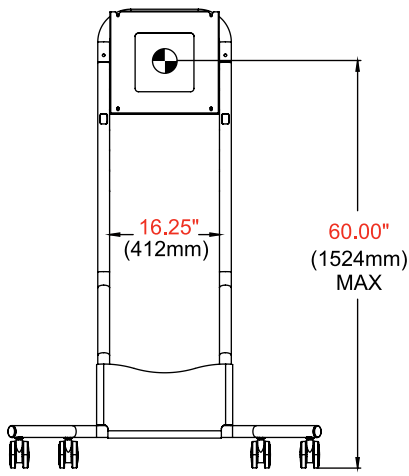
All dimensions = inch (mm)



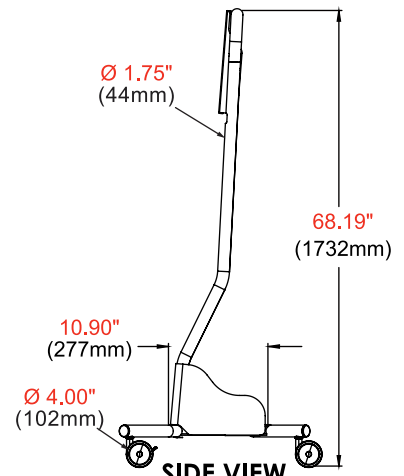
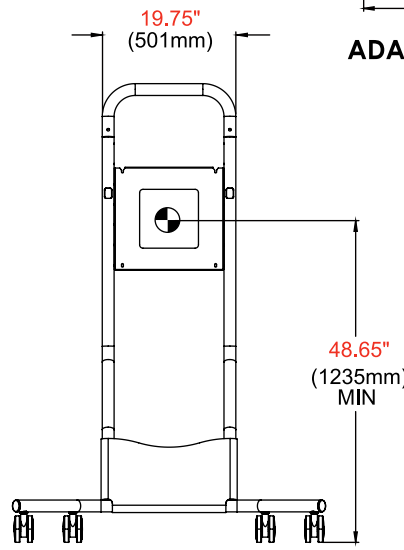
TOP VIEW



ADAPTOR DETAIL



FRONT VIEW



SIDE VIEW

Architect Specifications

The SmartMount® Cart for the 50.5" Microsoft® Surface™ Hub 2S & 3 shall be a Peerless-AV model SR560-HUB2 and shall be located where indicated on the plans. Assembly and installation shall be done according to instructions provided by the manufacturer.

Visit peerless-av.com to see the complete line of AV solutions from Peerless-AV, including outdoor displays, kiosks, digital audio, display mounts, projector mounts, carts/stands, and a full assortment of accessories.

Peerless-AV
2300 White Oak Circle
Aurora, IL 60502 USA
(800) 865-2112
(630) 375-5100

Peerless-AV EMEA
Unit 2 Curo Park
Frogmore, St. Albans
Hertfordshire, AL2 2DD
United Kingdom
+44 (0) 1923 200100

Peerless-AV Latin America
Av. de las Industrias 413
Parque Industrial Escobedo
General Escobedo, N.L.,
México, 66062
+52 (81) 8384-8300

