

PR598-M



**Mounting Pattern**  
100 x 100 up to  
800 x 600mm



**Max Load**  
130kg (286lb) display  
4kg (8.8lb) media shelf

# PARAMOUNT™ Flat Panel Motorised Trolley

FOR 50" TO 98" DISPLAYS

The PR598-M motorised trolley provides a sleek and stylish solution for 50" to 98" displays, featuring mobility, appealing aesthetics and height adjustment at the touch of a button. A sturdy 3-piece base provides a rigid, but attractive structure that fits into any décor. The ability to program pre-set heights via the digital display, make this an easy, convenient and adaptable solution, ideal for boardrooms, training rooms, classrooms, auditoriums, exhibit halls and more.

- Includes a 3-piece base to reduce packaging waste and carton size
- 3-piece base also provides rigidity, stability, and quick assembly
- Centre of display adjusts by 500mm from 1m to 1.5m from the floor
- Digital display indicates the height of the centre of display and includes four preset settings that can be saved for future use
- Includes shelf for media equipment which can be installed front or rear of the trolley for convenience
- Includes pressure sensor making it an ideal solution for education where safety is paramount
- Textured black powder coat finish helps hide finger prints and dust
- Universal mount accommodates displays with mounting patterns up to 800 x 600mm



Easy to program height settings  
via digital display



✉ info@peerless-av.com  
🌐 peerless-av.com

**peerless-AV®**  
Driving Technology Through Innovation

<b>PR598-M</b>	Flat Panel Motorised Trolley for 50" to 98" Displays
----------------	--

**Product Specifications**

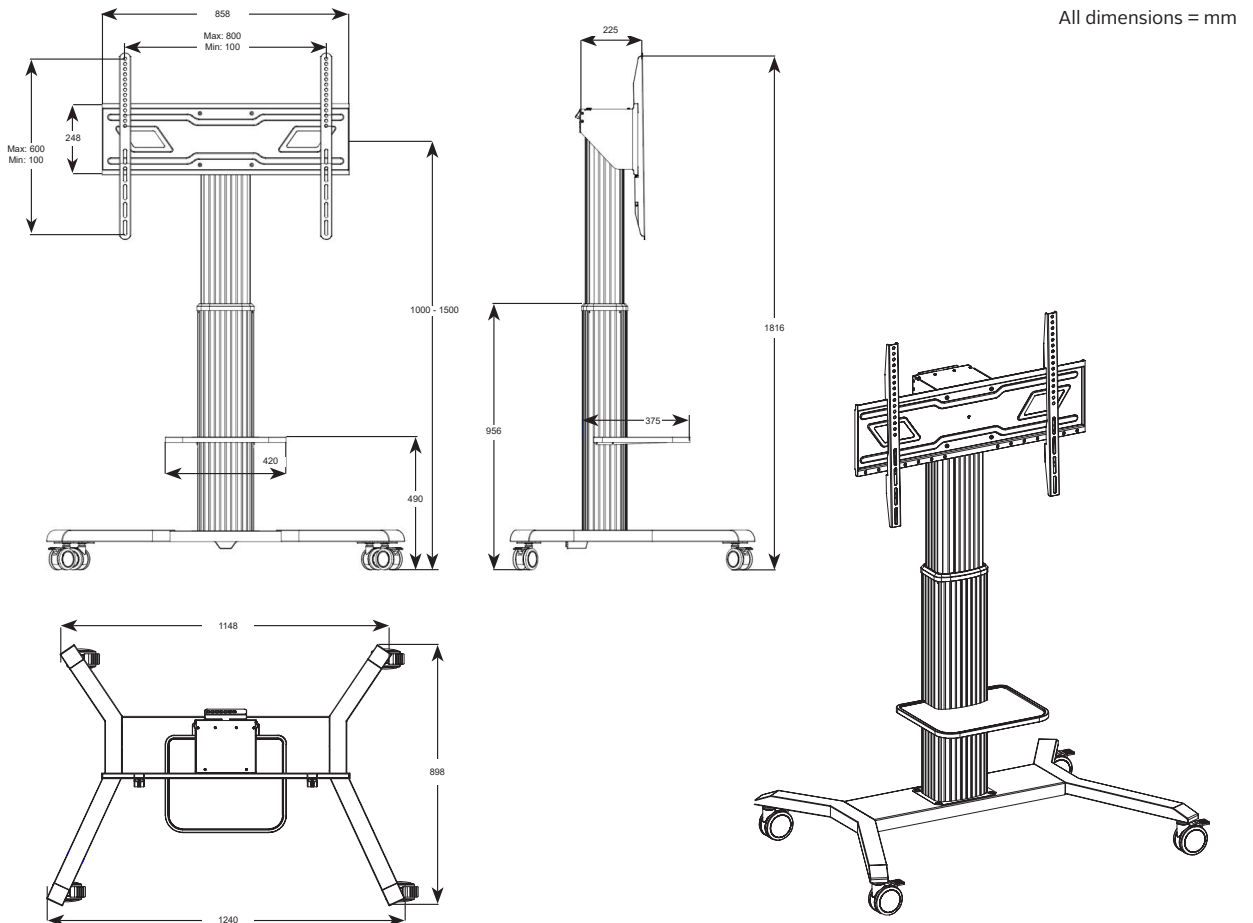
	DIMENSIONS (W x H x D)	PRODUCT WEIGHT	LOAD CAPACITY	FINISH	AVAILABLE COLORS
<b>PR598-M</b>	1240 x 1300-1800 x 898mm (48.82" x 51.18-70.86" x 35.35")	43kg (94.8lb)	130kg (286lb) display 4kg (8.8lb) media shelf	Textured Powder Coat	Black

**Package Specifications**

	PACKAGE SIZE (W x H x D)	PACKAGE SHIP WEIGHT	PACKAGE UPC CODE	PACKAGE CONTENTS	UNITS IN PACKAGE
<b>PR598-M</b>	1150 x 300 x 740mm (45.28" x 11.81" x 29.13")	47.5kg (104.7lb)	735029344896	Base, Left Leg, Right Leg, Assembled column/actuator, Display adapter, Metal shelf, Locking casters, hardware & instructions	1

**Accessories**

**ACC-TRFT:** Levelling feet kit (pack of 4)



**Architect Specifications**

The Paramount™ Flat Panel Motorised Trolley shall be a Peerless-AV model PR598-M and shall be located where indicated on the plans. Assembly and installation shall be done according to instructions provided by the manufacturer.

Visit [peerless-av.com](http://peerless-av.com) to see the complete line of AV solutions from Peerless-AV, including outdoor displays, kiosks, digital audio, display mounts, projector mounts, carts/stands, and a full assortment of accessories.

**Peerless-AV**  
2300 White Oak Circle  
Aurora, IL 60502  
USA  
**(800) 865-2112**  
**(630) 375-5100**

**Peerless-AV EMEA**  
Unit 2 Curo Park  
Frogmore, St. Albans  
Hertfordshire, AL2 2DD  
United Kingdom  
**+44 (0) 1923 200 100**

**Peerless-AV B.V.**  
Papendorpseweg 75  
3528 BJ Utrecht  
The Netherlands  
**+31 (0) 70 770 8037**

**Peerless-AV Latin America**  
Av. de las Industrias 413  
Parque Industrial Escobedo  
General Escobedo, N.L.,  
México, 66062  
**+52 (81) 8384-8300**

