

PC575-UNL



Mounting Pattern
From 200x100mm
to 600x400mm



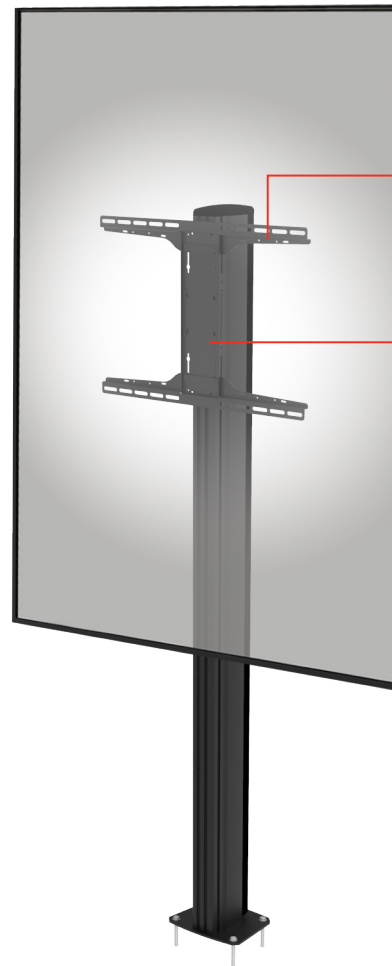
Max Load
60kg
(132lbs)

Universal In-Window Bolt-Down

FOR 32" TO 75" DISPLAYS*

The Peerless-AV® Universal In-Window Bolt-Down is designed to provide a stable, space saving support structure for single screen applications (32" to 75" displays) in landscape or portrait orientation. The 1.8m extrusion has a heavy duty flat floor plate that is bolted down for a solid foundation in settings such as retail, hospitality, or corporate in-window. The perfect viewing height for a display is achieved during installation, with vertical adjustment anywhere along the column. The PC575-UNL features a Large Universal Adaptor (MOD-UNL) with an open design and max weight capacity of 60kg. Cable management channels within the column create a clean & tidy installation, with a durable anodised black finish providing sleek aesthetics to fit in any professional environment. The minimal, lightweight design of the PC575-UNL enables a fast, straightforward installation, with the versatility to fulfil a wide range of indoor applications.

- Accommodates displays in landscape and portrait orientation
- Vertical height adjustment* enables display to be located anywhere along the column up to 1.7m to screen centre (*at time of install)
- Integrated cable management protects, contains and conceals cables for a clean, professional installation
- Fits displays with VESA® mounting patterns from 200 x 100mm up to 600 x 400mm
- Sleek & durable black anodised finish for a long lasting, scratch resistant appearance
- Lightweight aluminium column reduces shipping costs, while simplifying onsite handling and installation.
- Easy and quick installation



COMPATIBLE WITH ACC-UCM
Universal AV Component Mount

VERSATILE ORIENTATION
Display can be mounted in portrait or landscape



CABLE MANAGEMENT
Allows cables to enter and exit neatly along the profile



RoHS

*This display size range is simply a guideline for product selection. Displays larger than the screen size range may still be compatible as long as they fall within the VESA® pattern and max weight of the Peerless-AV® product.

✉ info@peerless-av.com

🌐 peerless-av.com

peerless-AV®
Driving Technology Through Innovation

PC575-UNL Universal In-Window Bolt-Down Pedestal for 32" to 75" Displays

Product Specifications

	DIMENSIONS (W X H X D)	PRODUCT WEIGHT	LOAD CAPACITY	FINISH	AVAILABLE COLOURS
PC575-UNL	619 x 1830 x 190mm (24.37" x 72.04" x 7.49")	13kg (29lbs)	60kg (132lbs)	Powder Coat	Black

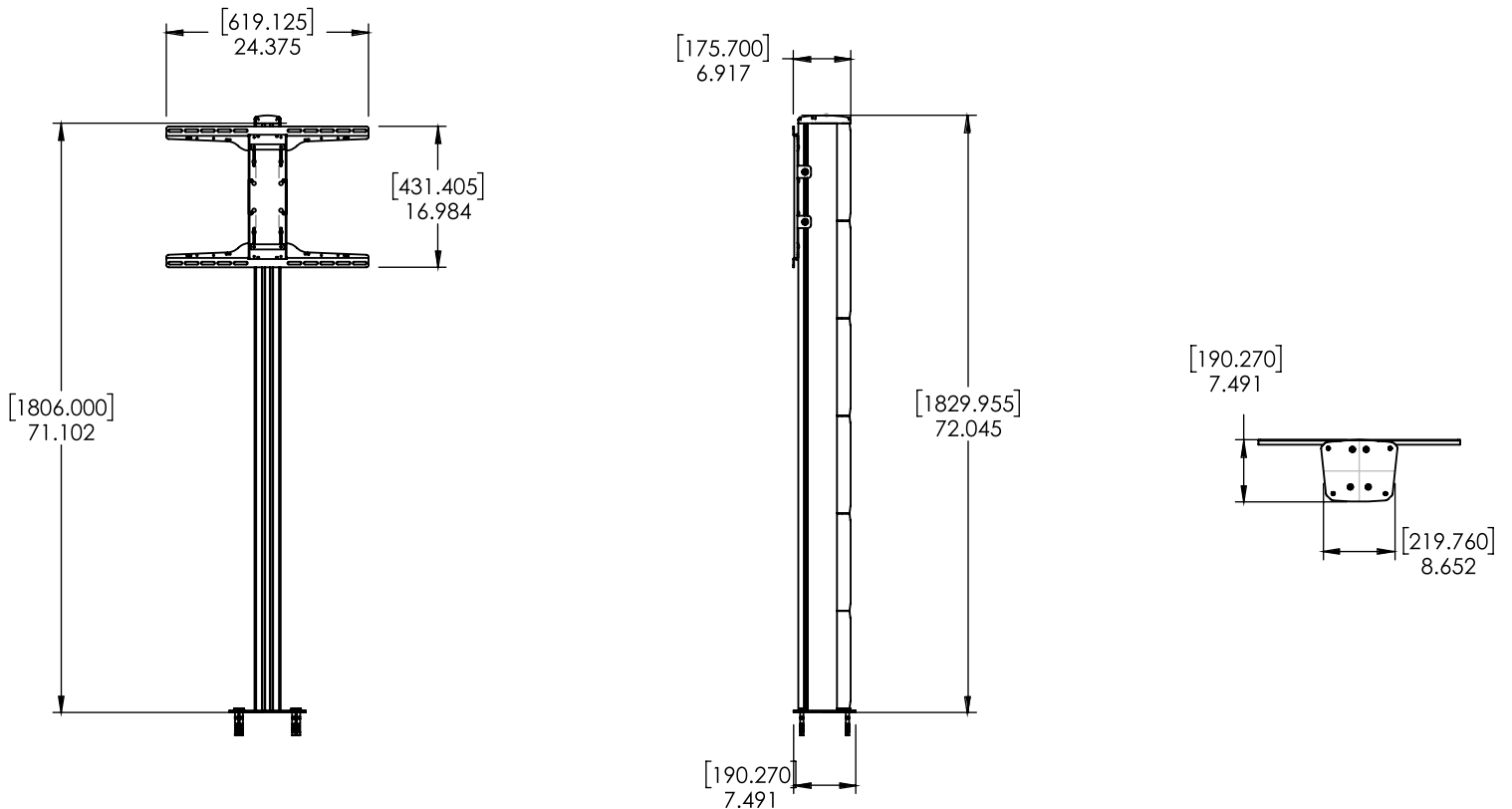
Package Specifications

	PACKAGE SIZE (W x H x D)	PACKAGE SHIP WEIGHT	PACKAGE UPC CODE	PACKAGE CONTENTS	UNITS IN PACKAGE
PC575-UNL	1950 x 50 x 75mm (76.77" x 1.97" x 2.95")	14kg (31lbs)	735029355687	Flat Floor Plate, Extrusion Column, End Cap, Cable Management Covers, Screen Adaptor, Hardware and Instructions	1

Accessories

- ACC-UCM:** Universal AV Component Mount
- ACC-M835:** M8 security fixings kit
- ACC-V900X:** Accessory Adaptor Rails For VESA® 600, 800, and 900mm wide mounting patterns

All dimensions = **inch** (mm)



Architect Specifications

The Universal In-Window Bolt-Down shall be a Peerless-AV model PC575-UNL and shall be located where indicated on the plans. Assembly and installation shall be done according to instructions provided by the manufacturer.

Visit peerless-av.com to see the complete line of AV solutions from Peerless-AV, including outdoor displays, kiosks, digital audio, display mounts, projector mounts, carts/stands, and a full assortment of accessories.

Peerless-AV
2300 White Oak Circle
Aurora, IL 60502 USA
(800) 865-2112
(630) 375-5100

Peerless-AV EMEA
Unit 2 Curo Park
Frogmore, St. Albans
Hertfordshire, AL2 2DD
United Kingdom
+44 (0) 1923 200100

Peerless-AV Latin America
Av. de las Industrias 413
Parque Industrial Escobedo
General Escobedo, N.L.,
México, 66062
+52 (81) 8384-8300

