

DS-LEDKBD MODELS

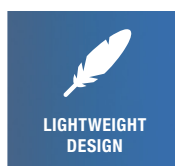
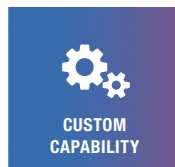
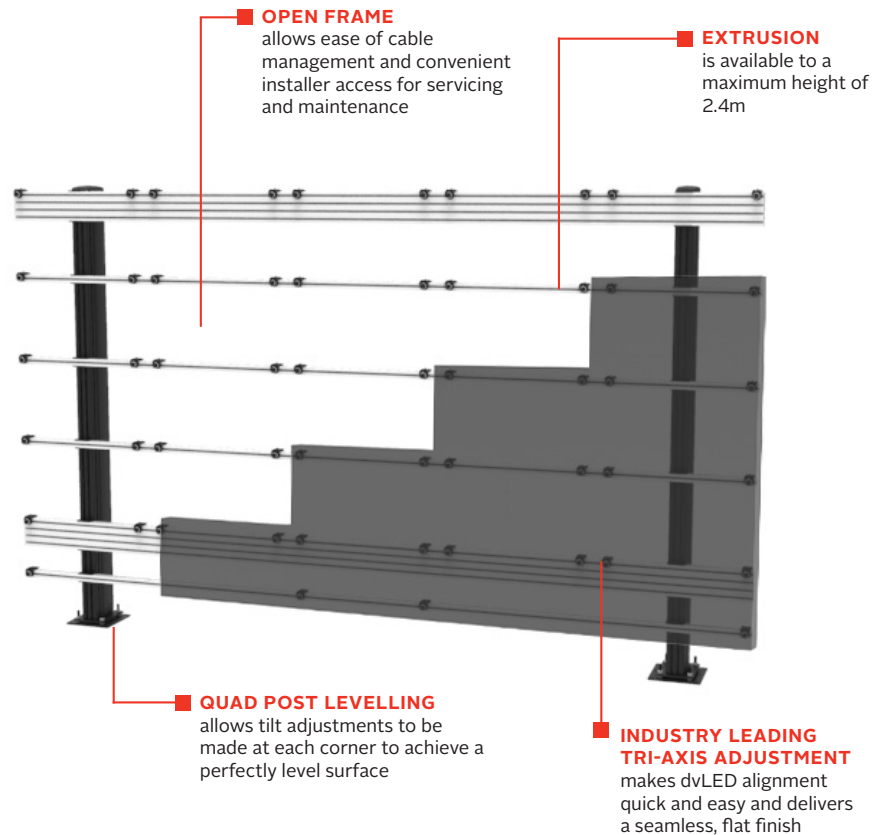


SEAMLESS KITTED+ Bolt Down

The SEAMLESS Kitted+ Series is an adaptable range of substructures for the SEAMLESS Kitted Series dvLED Mounting System. For any application where mounting directly to a wall is not an option, the Kitted+ Series offers a choice of substructure categories (Free Standing / Mobile Trolley / Bolt Down / Floor-to-Wall / Floor-to-Ceiling) to safely support the total load of a dvLED video wall or all-in-one display. Kitted+ series offers a slim, space saving design and facilitates a quick and easy dvLED video wall installation for any corporate reception, retail display, hospitality venue, showroom, event or entertainment setting.

DS-LEDKBD-5X5 shown

- Adaptable, kitted solution for installations where mounting direct to a wall is not an option
- Slim, space saving design fits neatly in any installation environment
- Integrated cable management in concealed channels provides a clean, clutter-free appearance
- Lightweight aluminium frame makes shipping, handling and installation easier
- Anodised aluminium finish for a durable, decorative appearance
- Modular design provides scalability in installation configuration and size
- Compatible with all Kitted Series mounts, offering peace of mind when designing solutions or if project specs change
- Designed for all leading dvLED brands



✉ sales@peerless-av.eu.com

🌐 peerless-av.com

peerless-AV[®]
Driving Technology Through Innovation

| | |
|-------------------------|---|
| DS-LEDKBD-%%-3x3 | SEAMLESS Kitted+ Series Bolt Down 3x3 Configuration |
| DS-LEDKBD-%%-4x4 | SEAMLESS Kitted+ Series Bolt Down 4x4 Configuration |
| DS-LEDKBD-%%-5x5 | SEAMLESS Kitted+ Series Bolt Down 5x5 Configuration |
| DS-LEDKBD-%%-6x6 | SEAMLESS Kitted+ Series Bolt Down 6x6 Configuration |

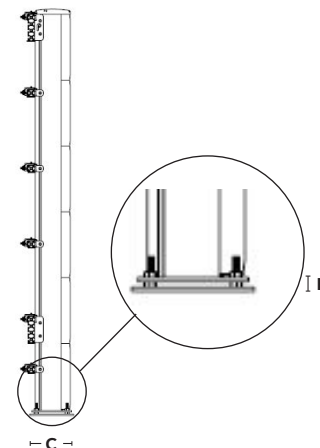
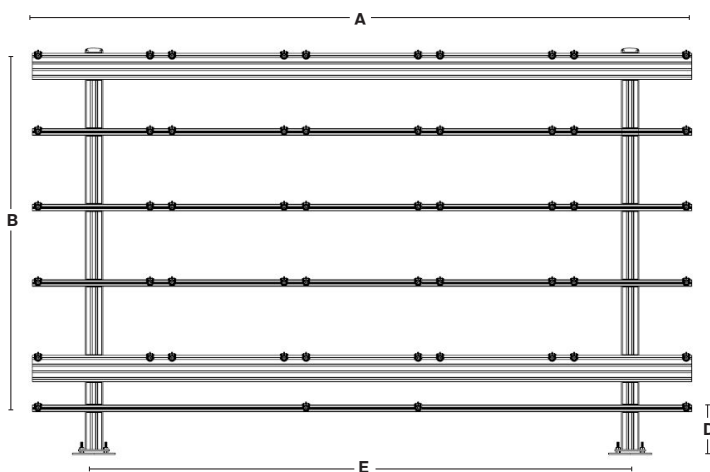
Example Product Specifications

| | CABINET SIZE | DIMENSIONS (W x H x D) | PRODUCT WEIGHT | LOAD CAPACITY | FINISH | COLOUR |
|-------------------------|--------------|--------------------------|----------------|--------------------------|-----------------|----------------|
| DS-LEDKBD-%%-3x3 | 43" | 2880 x 2422-2445 x 233mm | TBC | 25kg / 50lbs per cabinet | Anodised Finish | Black & Silver |
| DS-LEDKBD-%%-4x4 | 27" | 2400 x 1822-1845 x 233mm | | | | |
| | 27.5" | 2440 x 1822-1849 x 233mm | | | | |
| | 43" | 3840 x 2422-2445 x 233mm | | | | |
| DS-LEDKBD-%%-5x5 | 27" | 3000 x 2422-2445 x 233mm | | | | |
| | 27.5" | 3050 x 2422-2445 x 233mm | | | | |
| DS-LEDKBD-%%-6x6 | 27" | 3600 x 2422-2445 x 233mm | | | | |
| | 27.5" | 3660 x 2422-2445 x 233mm | | | | |

Accessories

ACC-SB2: Universal UC/VC Soundbar Mount

Dimensions = mm



| Bolt Down | | DIMENSION "A" | DIMENSION "B" | DIMENSION "C" | DIMENSION "D" | DIMENSION "E" | DIMENSION "F" |
|-----------|-----|---------------|---------------|---------------|---------------|---------------|---------------|
| 27" | 4X4 | 2400 | 1350 | 233 | 472-495 | 1200-1800 | 22-45 |
| | 5X5 | 3000 | 1687.5 | 233 | 734-757 | 1200-1800 | 22-45 |
| | 6X6 | 3600 | 2025 | 233 | 397-420 | 1200-1800 | 22-45 |
| 27.5" | 4X4 | 2440 | 1372 | 233 | 450-473 | 1200-1800 | 22-45 |
| | 5X5 | 3050 | 1715 | 233 | 707-730 | 1200-1800 | 22-45 |
| | 6X6 | 3660 | 2058 | 233 | 364-387 | 1200-1800 | 22-45 |
| 43" | 3X3 | 2880 | 1620 | 233 | 802-825 | 1200-1800 | 22-45 |
| | 4X4 | 3840 | 2160 | 233 | 262-285 | 1200-1800 | 22-45 |

All dimensions are estimate only

Architect Specifications

The SEAMLESS Kitted+ Series Universal Bolt Down shall be a Peerless-AV model DS-LEDKBD-3x3, DS-LEDKBD-4x4, DS-LEDKBD-5x5 or DS-LEDKBD-6x6 Model and shall be located where indicated on the plans. Assembly and installation shall be done according to instructions provided by the manufacturer.

Visit peerless-av.com to see the complete line of AV solutions from Peerless-AV, including outdoor displays, kiosks, display mounts, projector mounts, carts/stands, and a full assortment of accessories.

Peerless-AV
2300 White Oak Circle
Aurora, IL 60502
USA
(800) 865-2112
(630) 375-5100

Peerless-AV EMEA
Unit 2 Curo Park
Frogmore, St. Albans
Hertfordshire, AL2 2DD
United Kingdom
+44 (0) 1923 200 100

Peerless-AV B.V.
Papendorpseweg 75
3528 BJ Utrecht
The Netherlands
+31 (0) 70 770 8037

Peerless-AV Latin America
Av. de las Industrias 413
Parque Industrial Escobedo
General Escobedo, N.L.,
México, 66062
+52 (81) 8384-8300



LIT-1924-UK