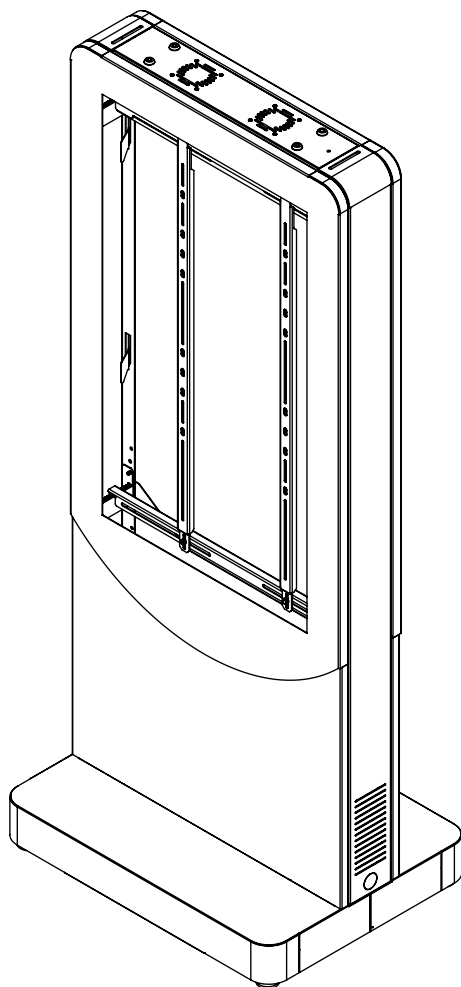


peerless-AV[®]



⚠ WARNING

ENG - Do not begin to install product until you have read and understood the instructions and warnings contained in this user guide. Before installing make sure the supporting surface will support the combined load of the equipment and hardware. Screws must be tightly secured. Do not overtighten screws or damage can occur and product may fail. Never exceed the Maximum Load Capacity. Always use an assistant or mechanical lifting equipment to safely lift and position equipment. This product is intended for indoor use only. Use of this product outdoors could lead to product failure or personal injury. To reduce the risk of electric shock or fire, do not expose product to water or moisture. Be sure power cord is routed so that it will not be tripped on, stepped on, or pinched by heavy items. Avoid overloading electrical outlets or extension cords. Always disconnect the power cord from the power outlet when installing, servicing, or not using the product for an extended period of time. Do not block ventilation slots or fan exhaust on product. Blocking airflow could damage product. Arrange product to allow air to flow freely around product. Keep product away from direct sunlight or any source of heat. For support please call 800-4-SIGNAGE.

ENG Symbols

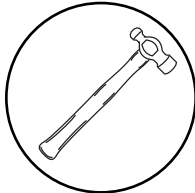
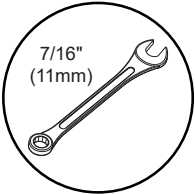
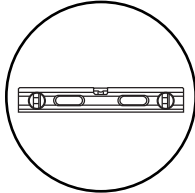
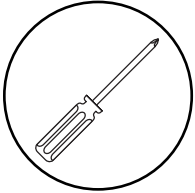


ENG WARNING



ENG Skip to step.

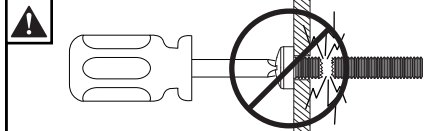
ENG Tools Needed for Assembly.



ENG Screws must get at least three full turns and fit snug.



ENG Front of mount

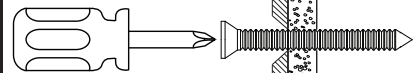


ENG Do not overtighten screws.

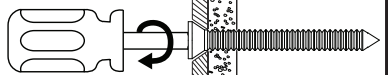


ENG To properly tighten screws: Tighten until screw head makes contact, then tighten another 1/2 turn. Do not overtighten screws.

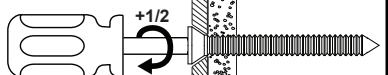
1



2



3



4



ENG Parts (Before beginning, make sure you have all parts shown below).

Parts List

| Description | Qty | KIPC2540-WHL-EUK | KIPC2542-WHL-EUK | KIPC2543-WHL-EUK | KIPC2546-WHL-EUK |
|-----------------------|-----|------------------|------------------|------------------|------------------|
| | | Part# | Part# | Part# | Part# |
| A kiosk | 1 | KIPC2540-WHL-EUK | KIPC2542-WHL-EUK | KIPC2543-WHL-EUK | KIPC2546-WHL-EUK |
| B M6 x 12mm | 4 | 520-1128 | 520-1128 | 520-1128 | 520-1128 |
| C M6 x 25mm | 4 | 520-1208 | 520-1208 | 520-1208 | 520-1208 |
| D M8 x 12mm | 4 | 520-9571 | 520-9571 | 520-9571 | 520-9571 |
| E M8 x 25mm | 4 | 520-1031 | 520-1031 | 520-1031 | 520-1031 |
| F washer | 8 | 540-9406 | 540-9406 | 540-9406 | 540-9406 |
| G spacer | 8 | 600-1215 | 600-1215 | 600-1215 | 600-1215 |
| H plug adapter | 1 | - | - | - | - |
| I cable tie | 6 | 560-1756 | 560-1756 | 560-1756 | 560-1756 |
| J key | 2 | 565-0049A | 565-0049A | 565-0049A | 565-0049A |
| K t-wrench | 1 | 560-1718 | 560-1718 | 560-1718 | 560-1718 |

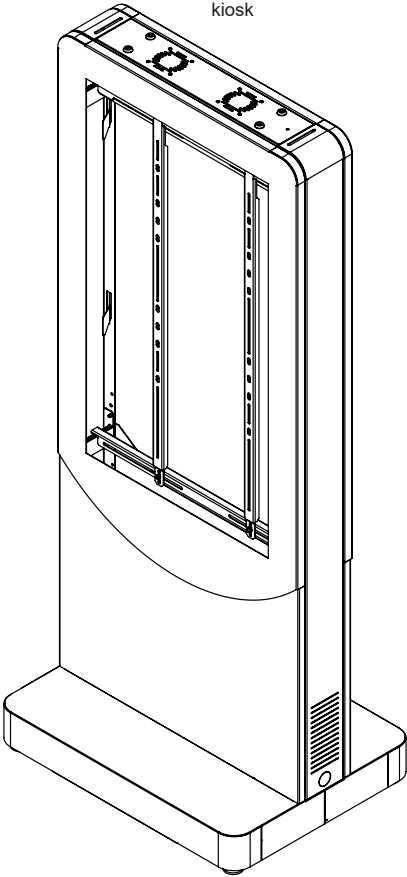
Parts List

| Description | Qty | KIPC2547-WHL-EUK | KIPC2548-WHL-EUK | KIPC2549-WHL-EUK | KIPC2550-WHL-EUK |
|-----------------------|-----|------------------|------------------|------------------|------------------|
| | | Part# | Part# | Part# | Part# |
| A kiosk | 1 | KIPC2547-WHL-EUK | KIPC2548-WHL-EUK | KIPC2549-WHL-EUK | KIPC2550-WHL-EUK |
| B M6 x 12mm | 4 | 520-1128 | 520-1128 | 520-1128 | 520-1128 |
| C M6 x 25mm | 4 | 520-1208 | 520-1208 | 520-1208 | 520-1208 |
| D M8 x 12mm | 4 | 520-9571 | 520-9571 | 520-9571 | 520-9571 |
| E M8 x 25mm | 4 | 520-1031 | 520-1031 | 520-1031 | 520-1031 |
| F washer | 8 | 540-9406 | 540-9406 | 540-9406 | 540-9406 |
| G spacer | 8 | 600-1215 | 600-1215 | 600-1215 | 600-1215 |
| H plug adapter | 1 | - | - | - | - |
| I cable tie | 6 | 560-1756 | 560-1756 | 560-1756 | 560-1756 |
| J key | 2 | 565-0049A | 565-0049A | 565-0049A | 565-0049A |
| K t-wrench | 1 | 560-1718 | 560-1718 | 560-1718 | 560-1718 |

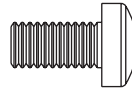
Parts List

| Description | Qty | KIPC2555-WHL-EUK |
|-----------------------|-----|------------------|
| | | Part# |
| A kiosk | 1 | KIPC2555-WHL-EUK |
| B M6 x 12mm | 4 | 520-1128 |
| C M6 x 25mm | 4 | 520-1208 |
| D M8 x 12mm | 4 | 520-9571 |
| E M8 x 25mm | 4 | 520-1031 |
| F washer | 8 | 540-9406 |
| G spacer | 8 | 600-1215 |
| H plug adapter | 1 | - |
| I cable tie | 6 | 560-1756 |
| J key | 2 | 565-0049A |
| K t-wrench | 1 | 560-1718 |

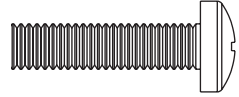
A (1)
kiosk



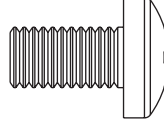
B (4)
M6 x 12 mm



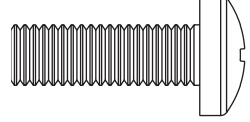
C (4)
M6 x 25 mm



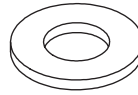
D (4)
M8 x 12 mm



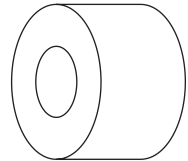
E (4)
M8 x 25 mm



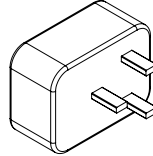
F (8)
washer



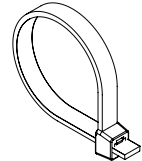
G (8)
spacer



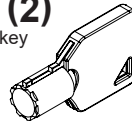
H (1)
plug adapter



I (6)
cable tie



J (2)
key

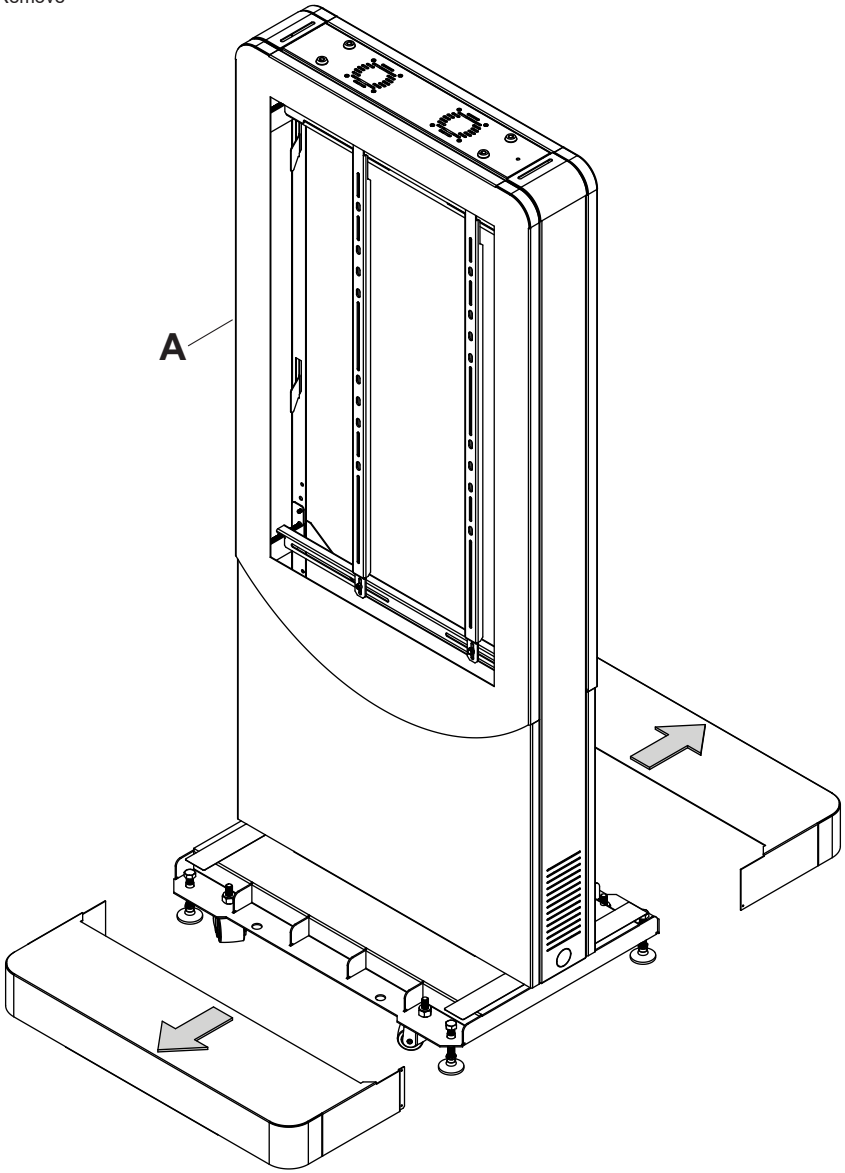


K (1)
t-wrench



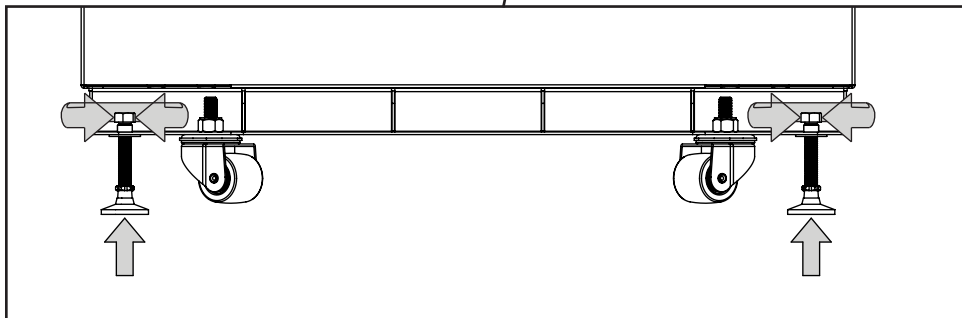
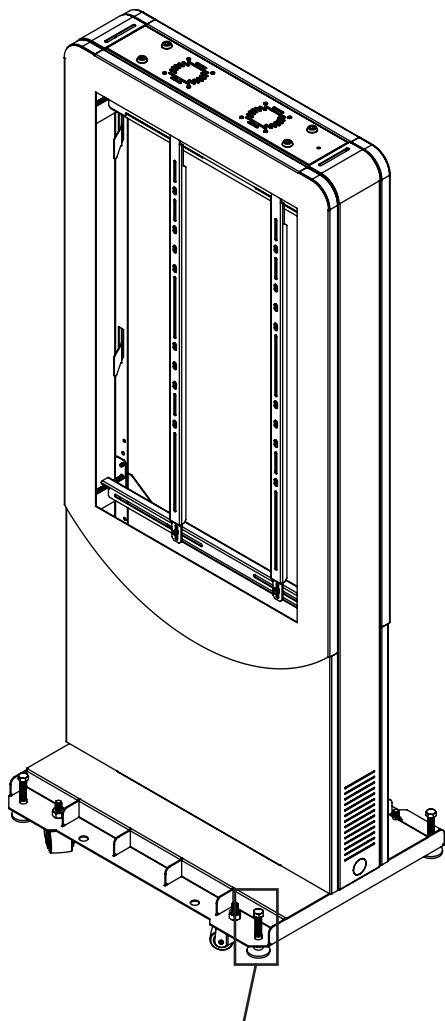
1

ENG Remove



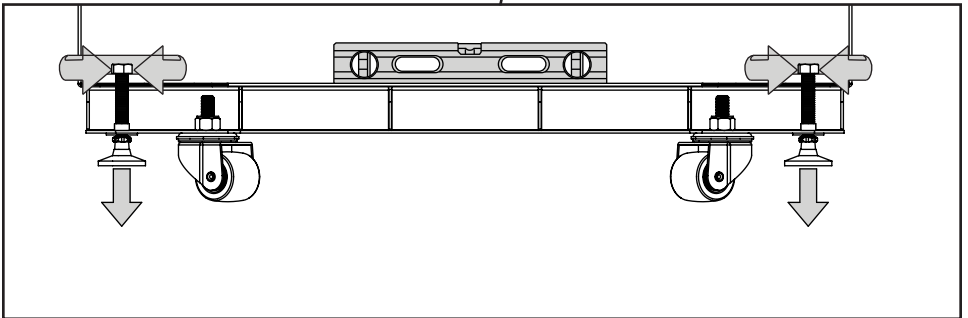
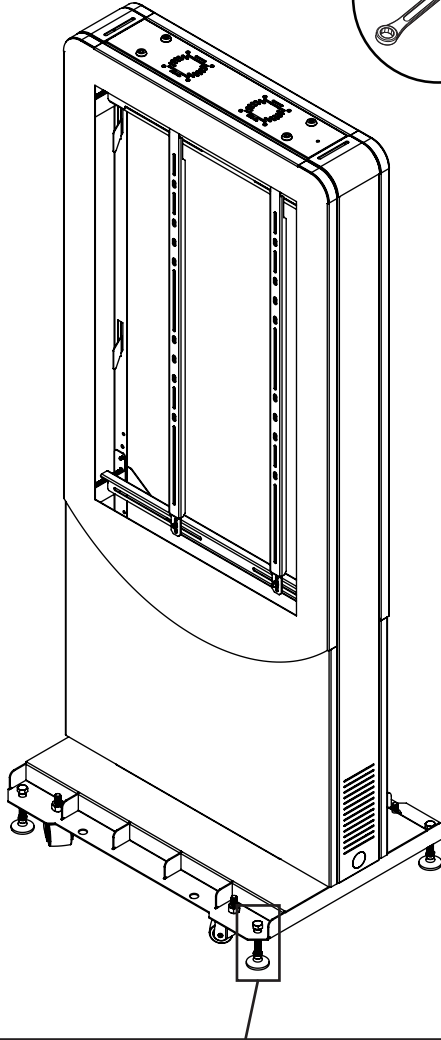
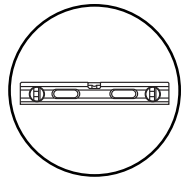
2

ENG Raise feet, and roll kiosk into viewing location.



3

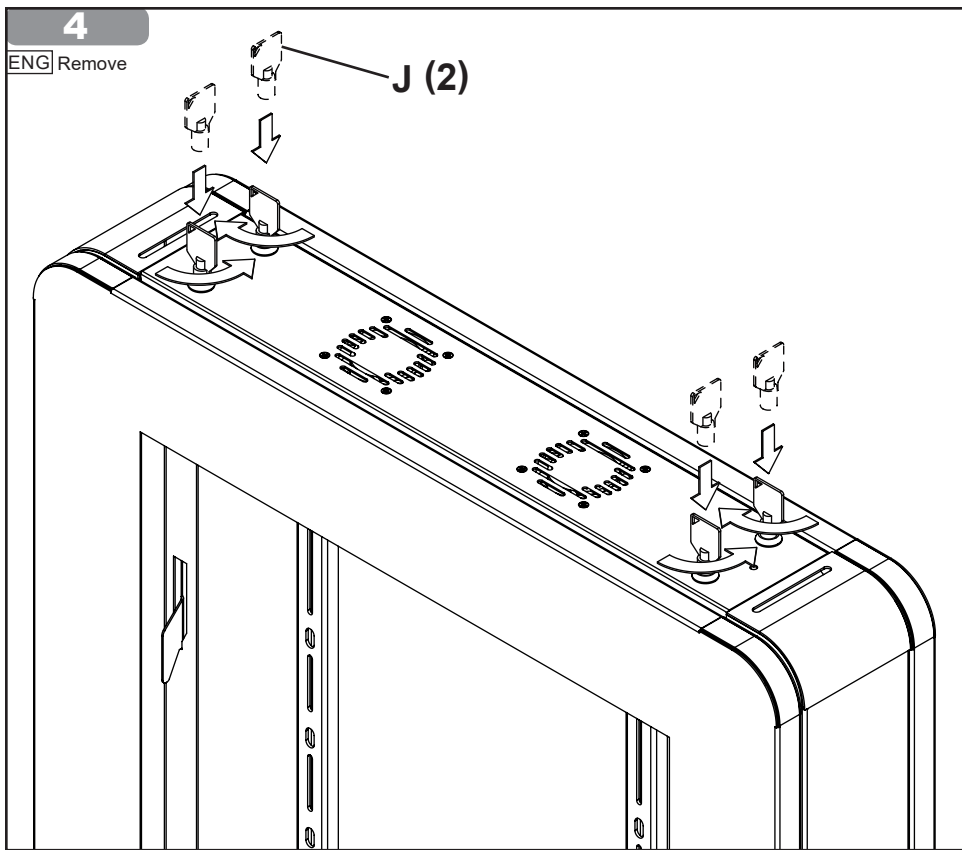
ENG Lower and level feet so kiosk is fully supported by feet.



4

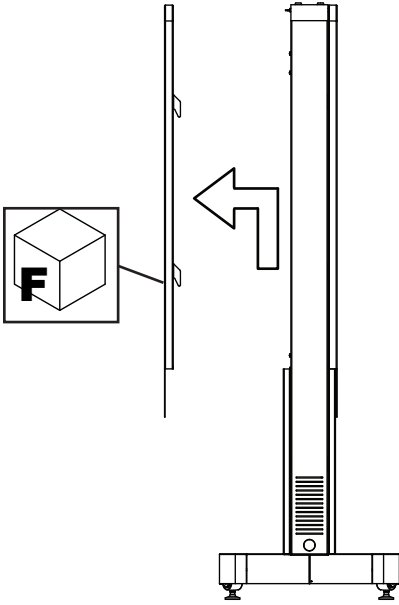
ENG Remove

J (2)



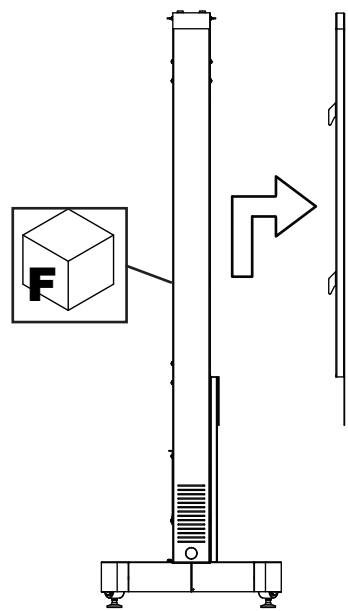
5-1

ENG Remove



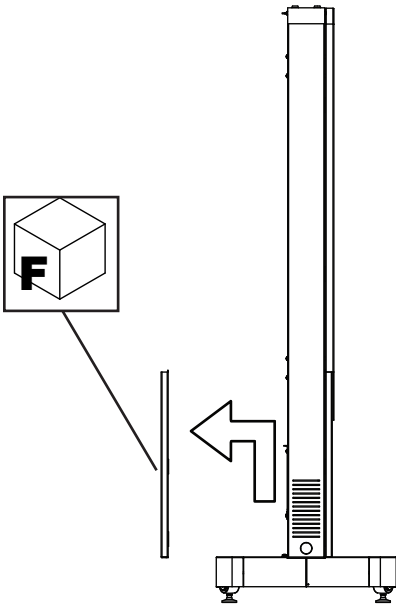
5-3

ENG Remove



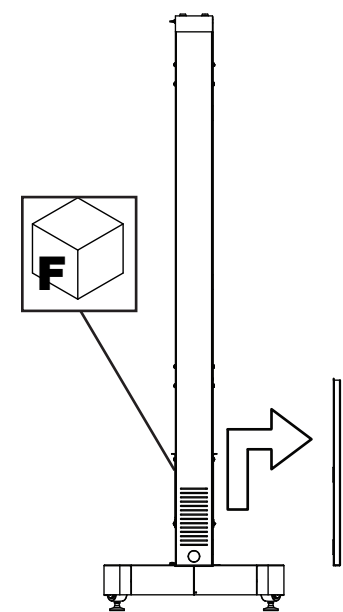
5-2

ENG Remove



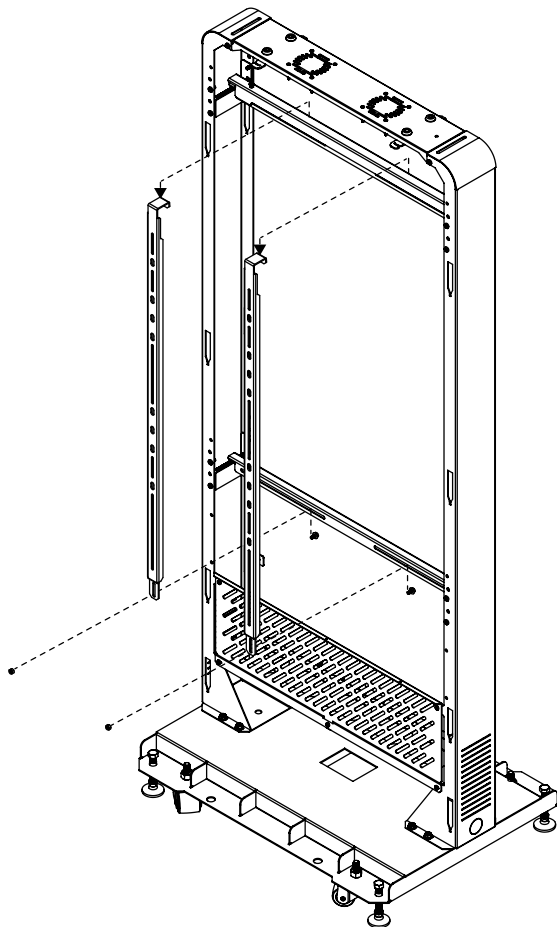
5-4

ENG Remove

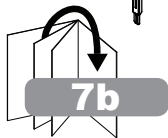
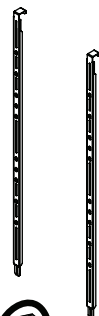
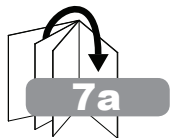
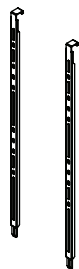


6

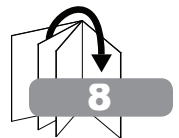
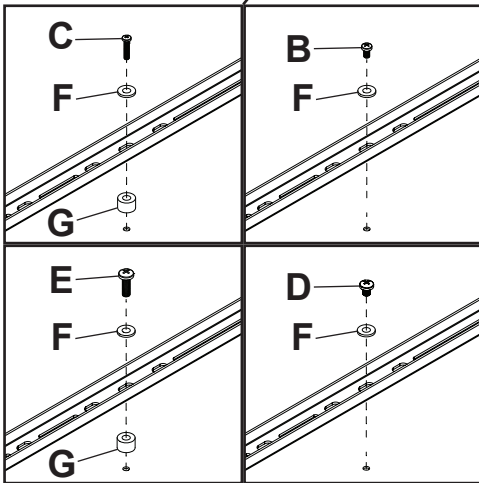
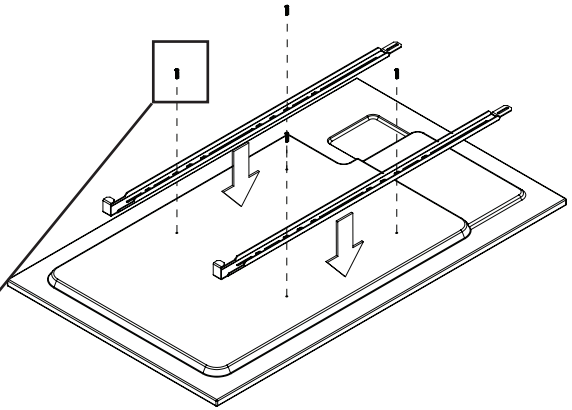
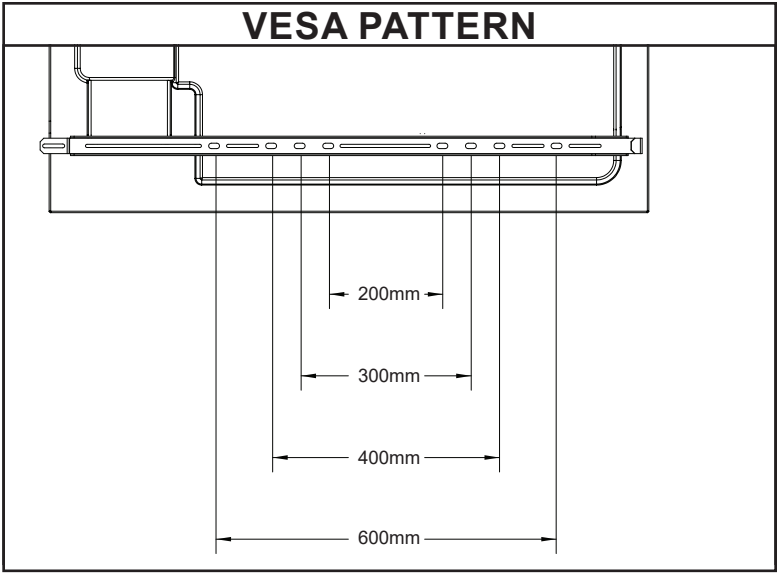
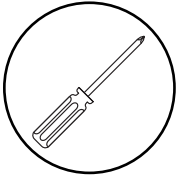
ENG Remove



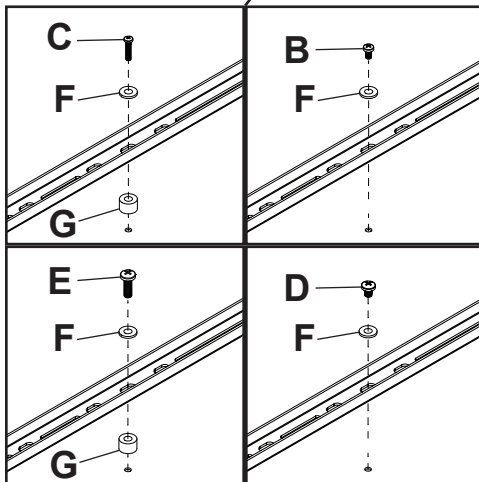
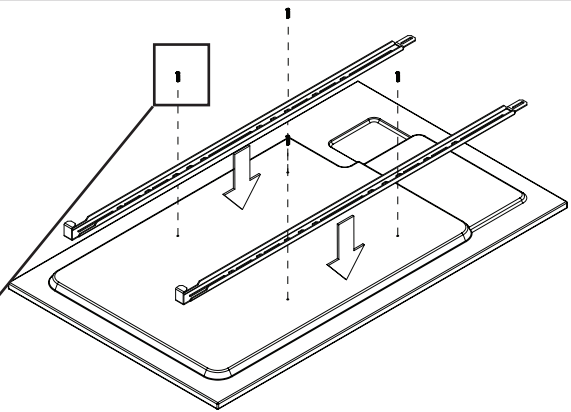
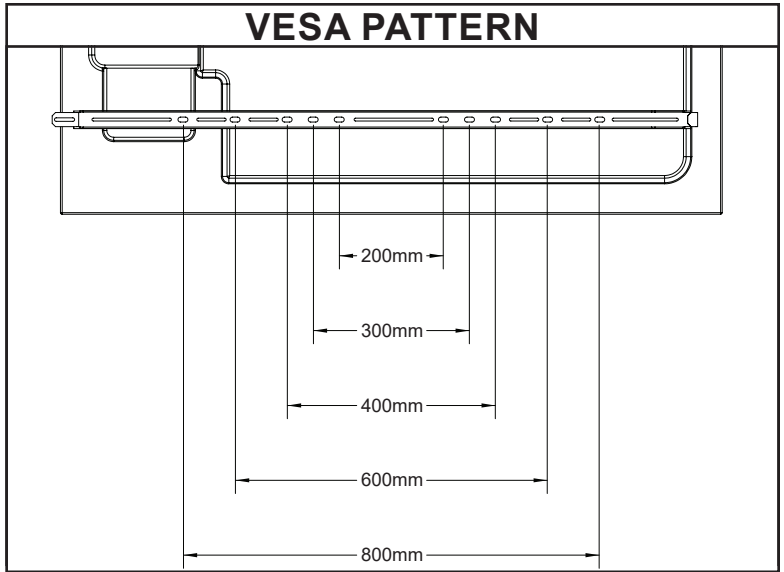
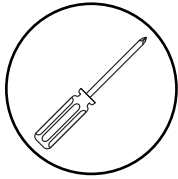
7

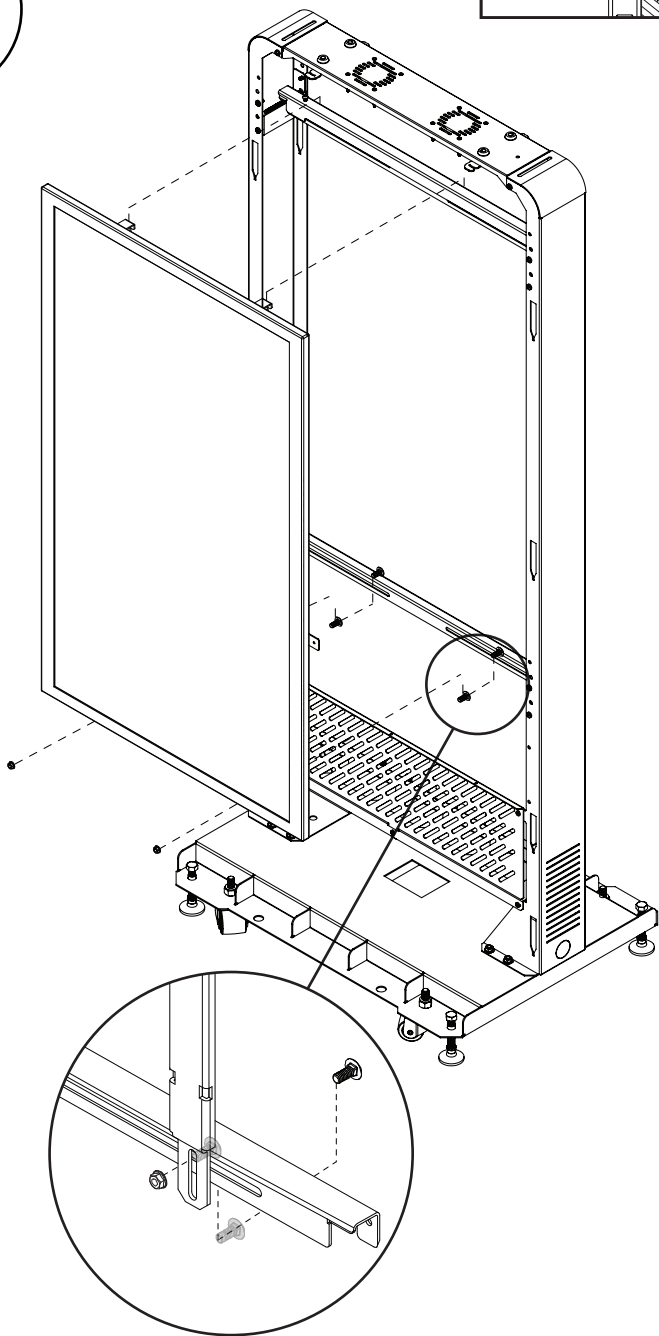
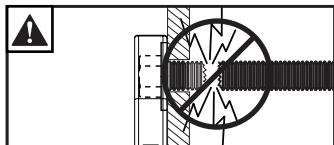


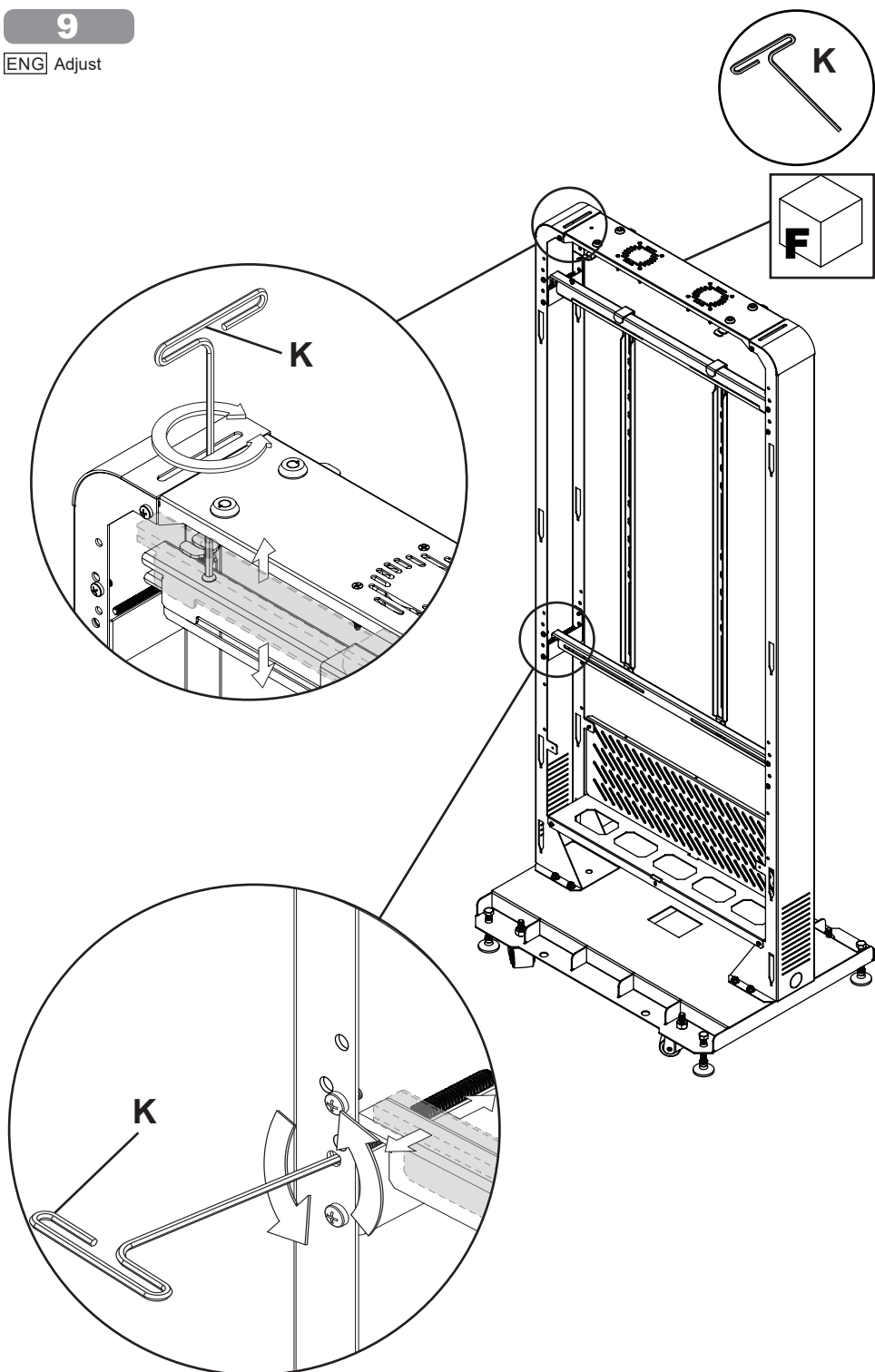
7a



7b

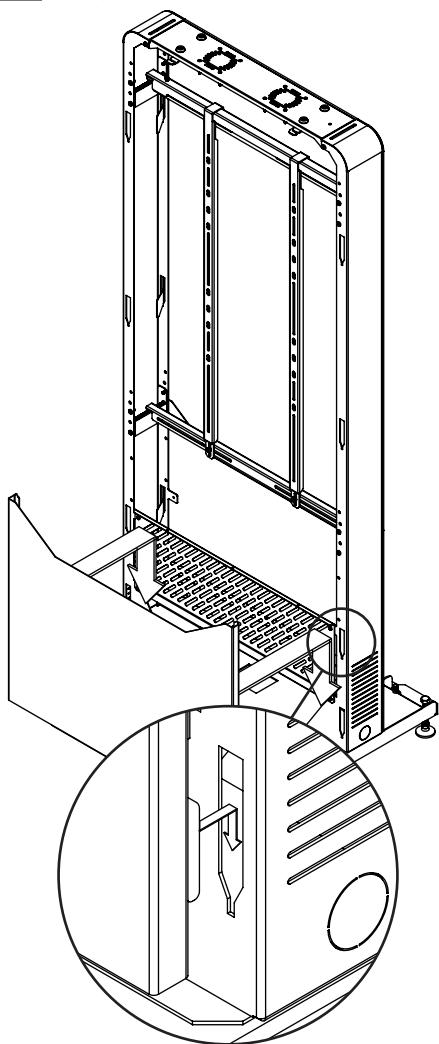




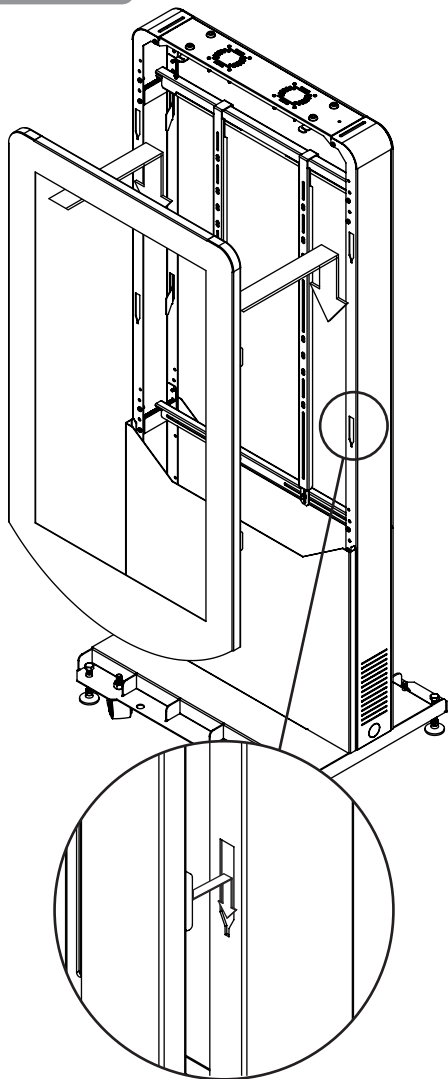


10-1

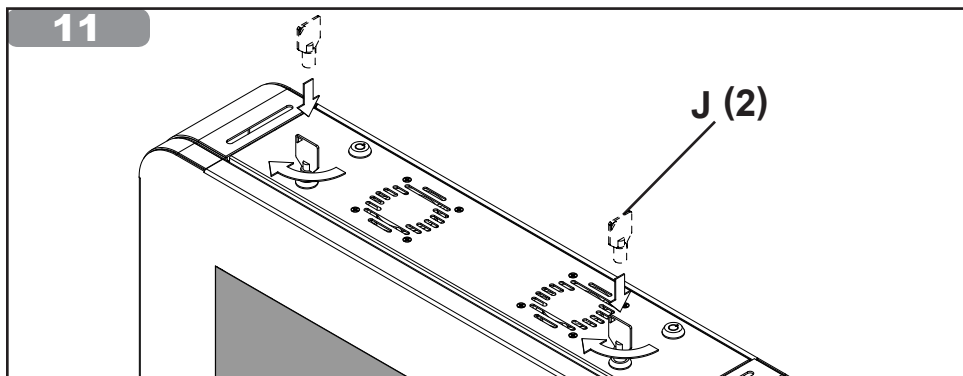
ENG Display not shown



10-2

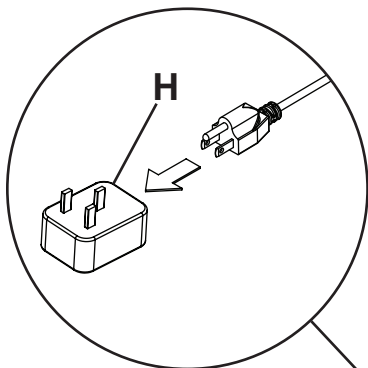
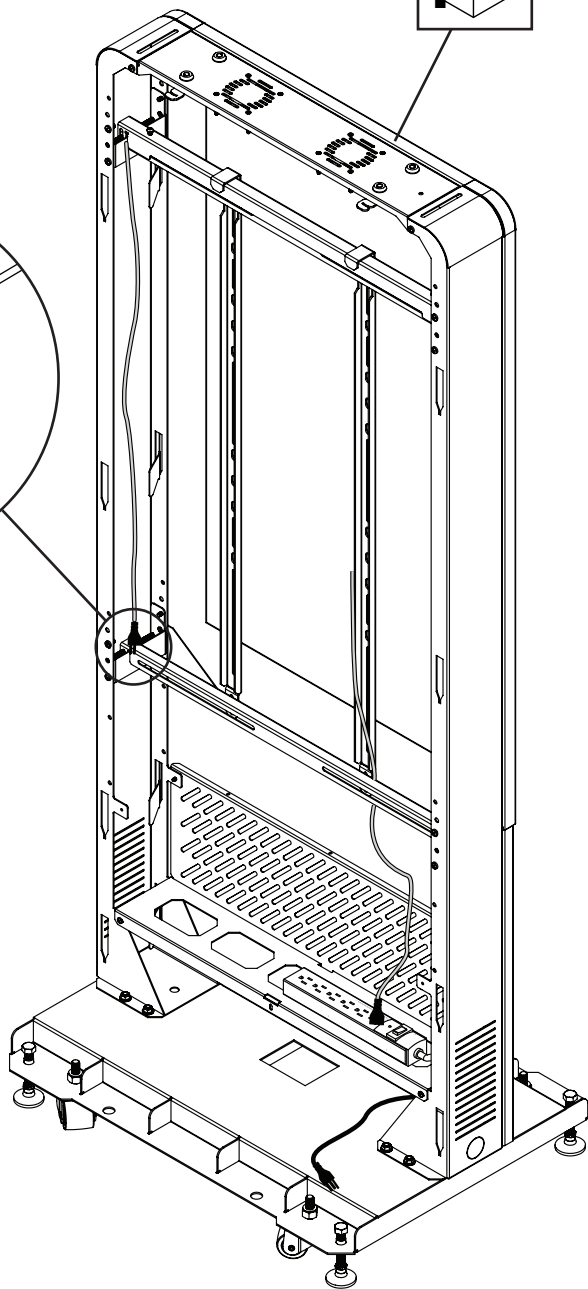


11



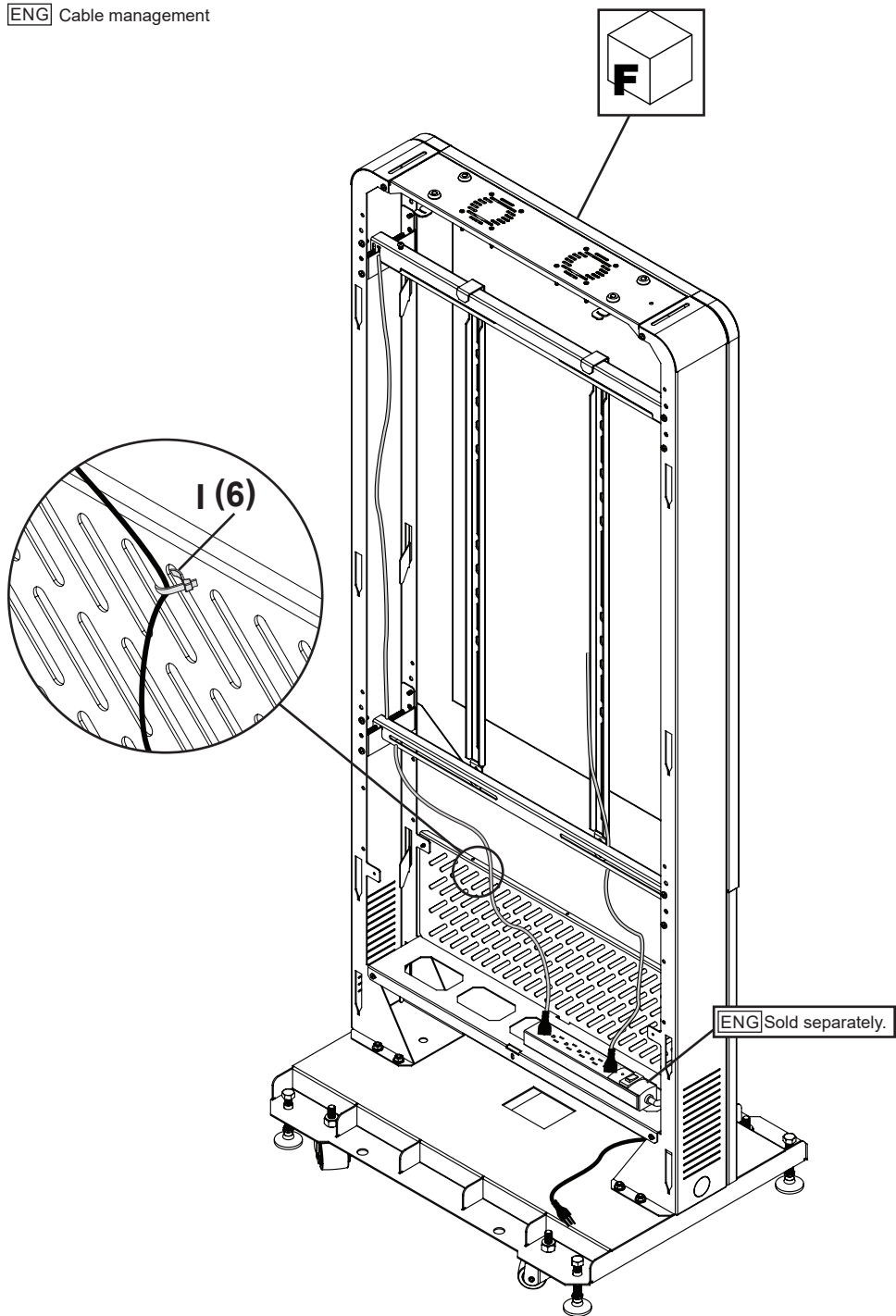
12-1

ENG Cable management

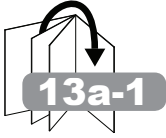
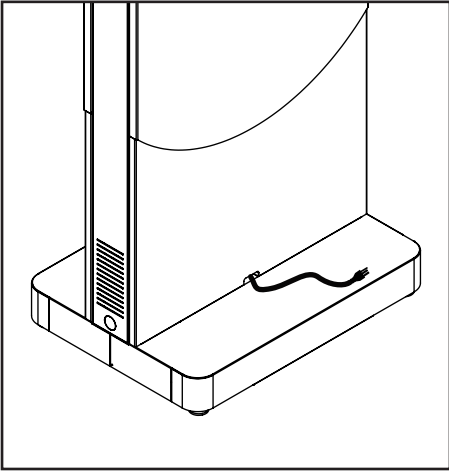


12-2

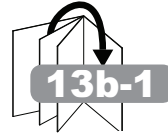
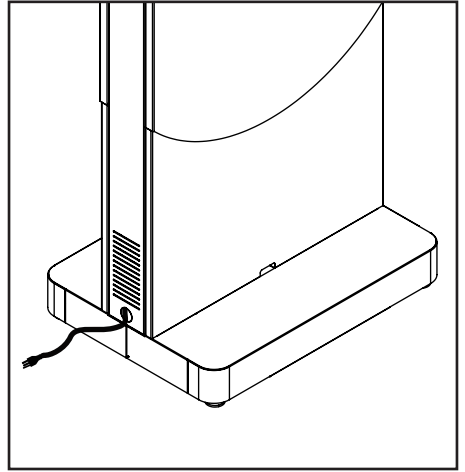
ENG Cable management



13

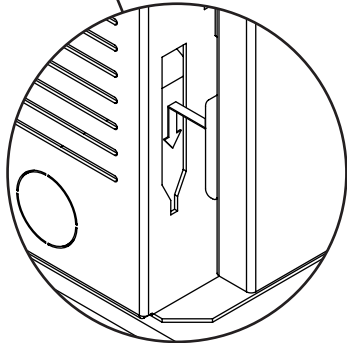
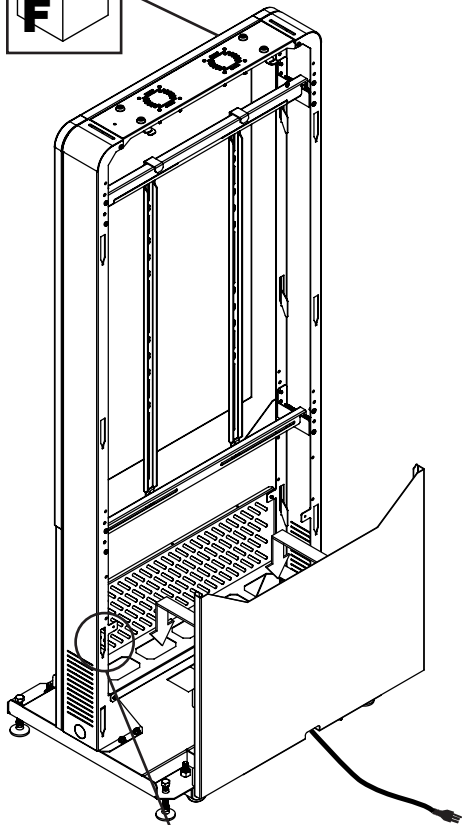


13a-1

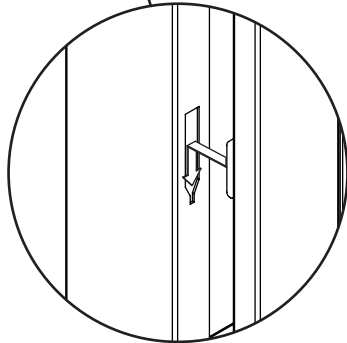
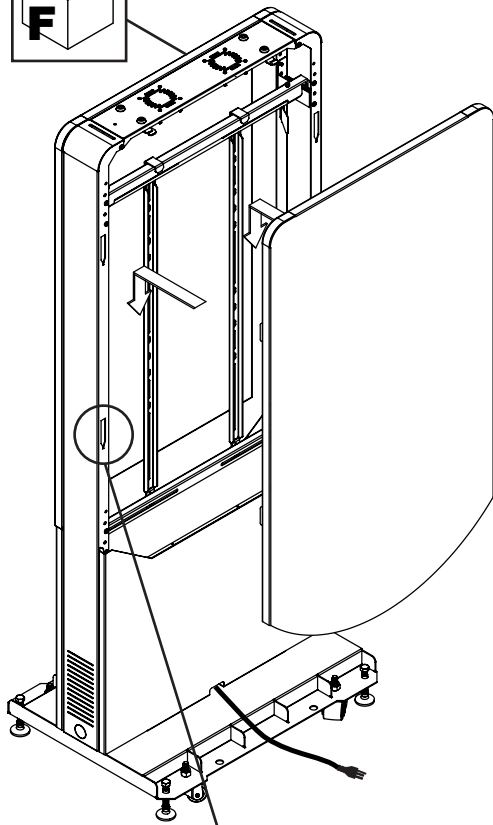
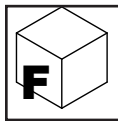


13b-1

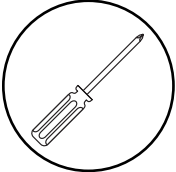
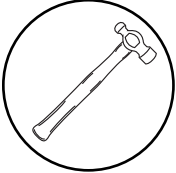
13a-1



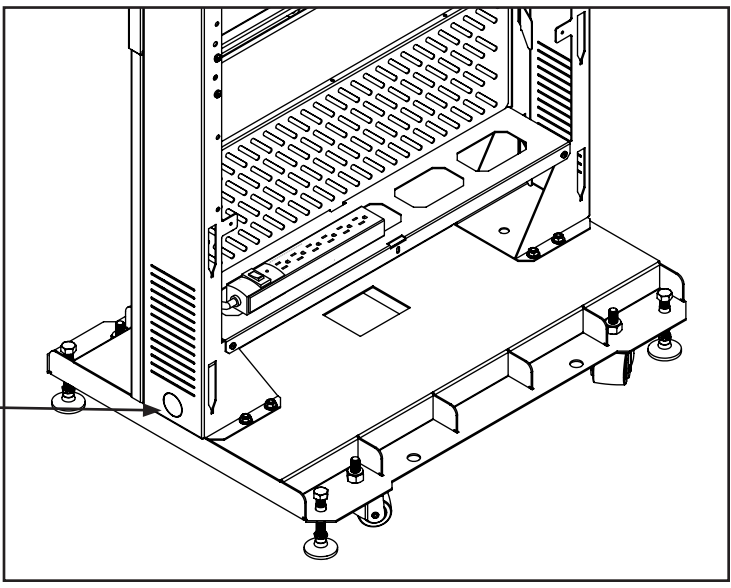
13a-2



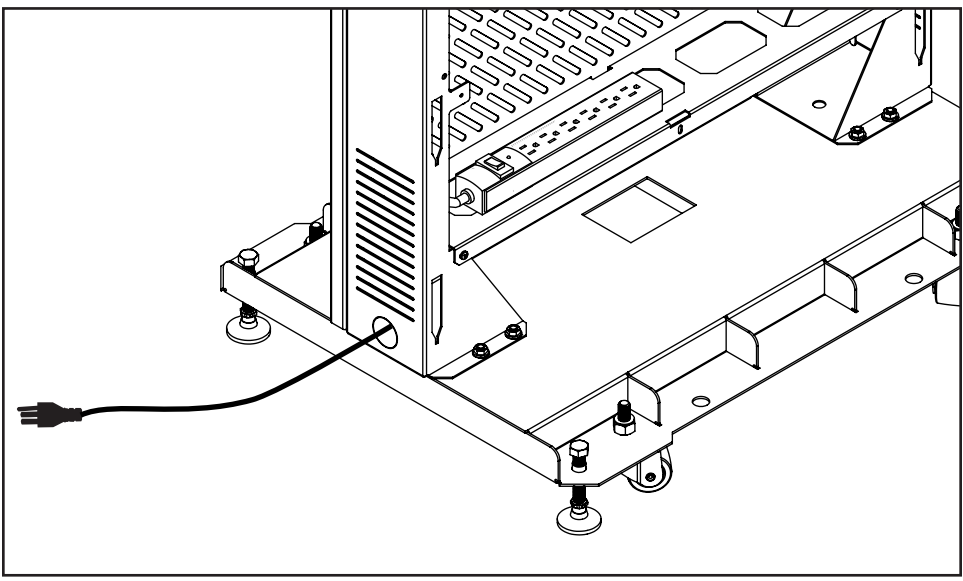
13b-1



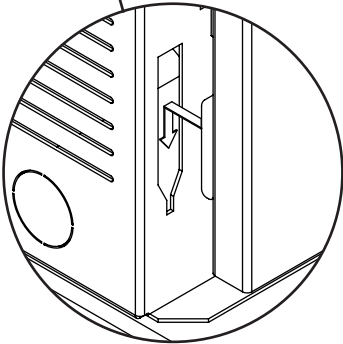
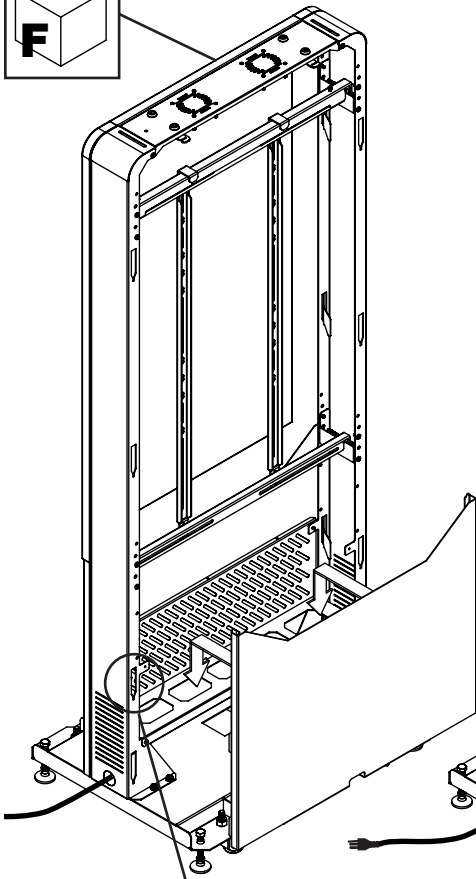
ENG Remove



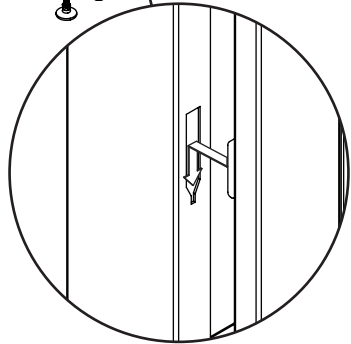
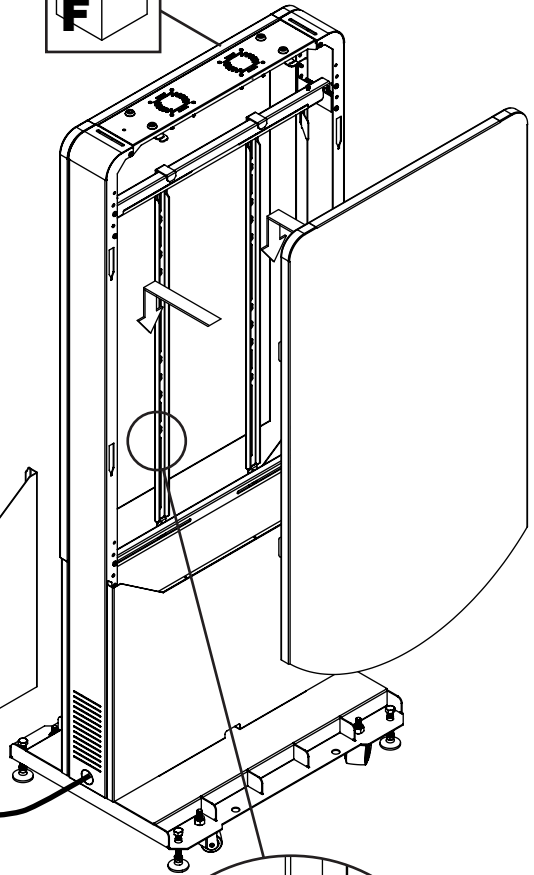
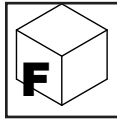
13b-2



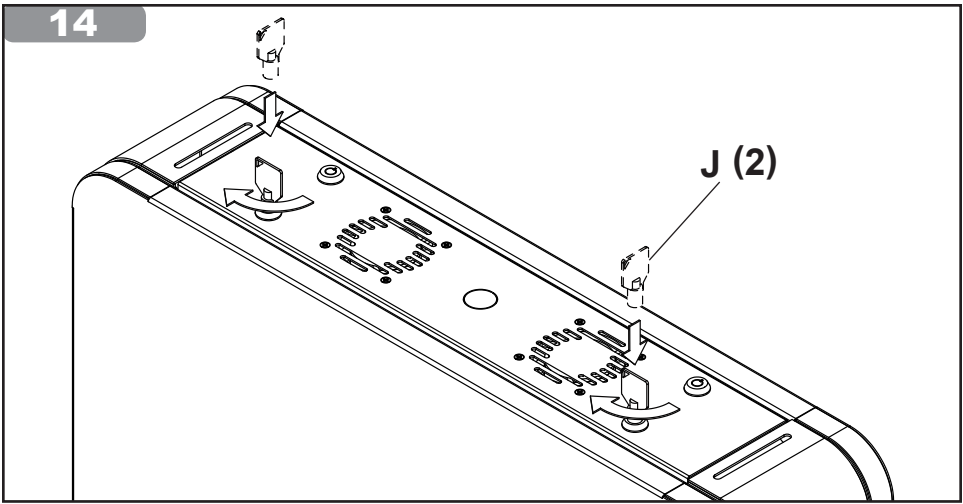
13b-3



13b-4

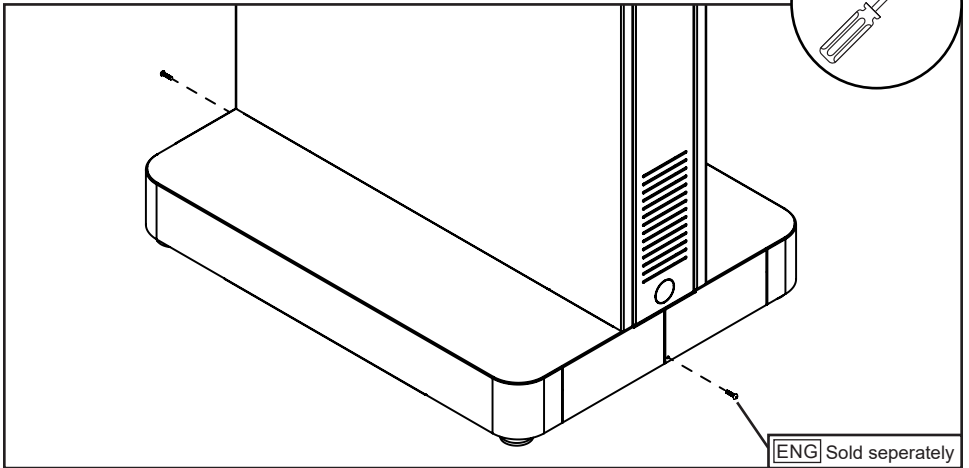
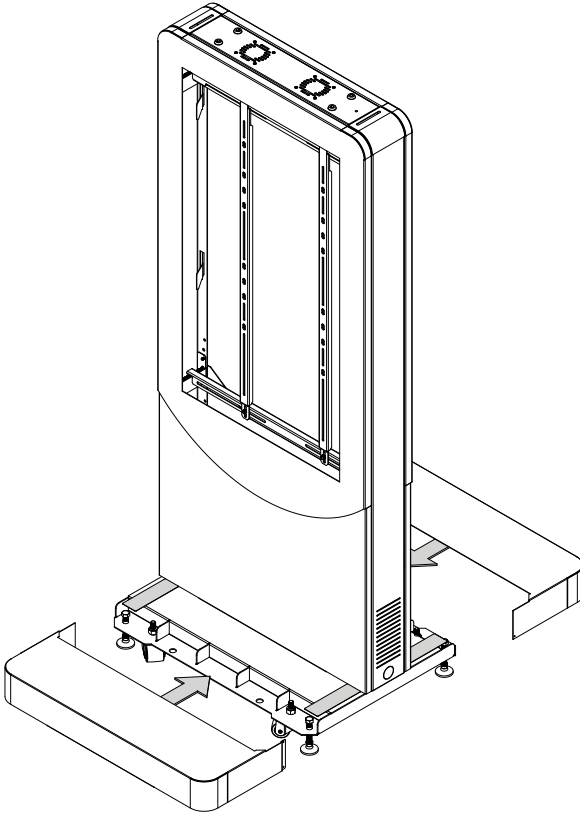


14



15

ENG Reattach kiosk covers with velcro strips.



KIPC2540-WHL-EUK, KIPC2542-WHL-EUK, KIPC2543-WHL-EUK, KIPC2546-WHL-EUK, KIPC2547-EUK-WHL,
KIPC2548-WHL-EUK, KIPC2549-WHL-EUK, KIPC2550-WHL-EUK, KIPC2555-WHL-EUK



Peerless-AV
2300 White Oak Circle
Aurora, IL 60502
Email: tech@peerlessmounts.com
Ph: (800) 865-2112
Fax: (800) 359-6500
www.peerless-av.com

© 2019, Peerless Industries, Inc.

Peerless-AV Europe
Unit 3 Watford Interchange,
Colonial Way, Watford, Herts,
WD24 4WP, United Kingdom
Customer Care
44 (0) 1923 200 100
www.peerless-av.com

© 2019, Peerless Industries, Inc.

Peerless-AV de Mexico
Ave de las Industrias 413
Parque Industrial Escobedo
Escobedo N.L. Mexico 66062
Servicio al Cliente
01-800-849-65-77
www.peerless-av.com

© 2019, Peerless Industries, Inc.