

EPT650



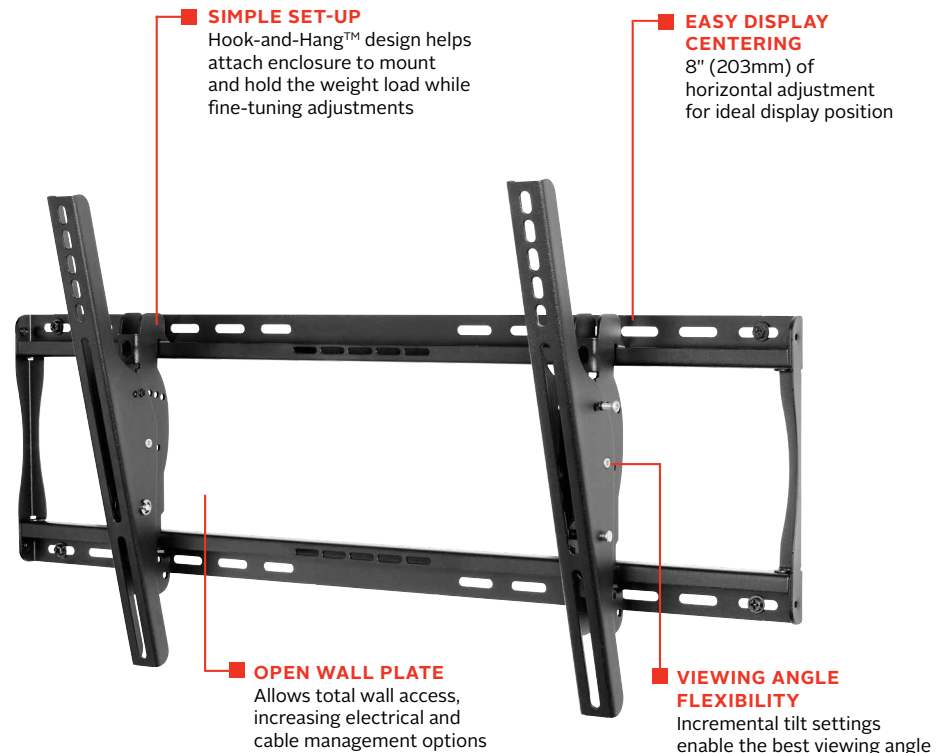
	Mounting Pattern Up to 732 x 405mm (28.84" x 15.94")	 Max Load 175lb (79kg)
--	---	--

Outdoor Universal Tilt Wall Mount

FOR 32" TO 75" DISPLAYS

Peerless-AV's Outdoor Universal Tilt Wall Mount provides a sure way to mount flat panel displays outdoors with its corrosion resistant E-Coat finish and stainless steel hardware. In addition to simple installation with its Hook-and-Hang™ design, this mount offers tilt functionality while keeping the display a mere 2.64" (67mm) from the wall. The IncreLok™ tilt technology allows you to lock the tilt angle in 5° increments for your ideal viewing experience and to prevent tampering or undesired adjustment. Tamper-resistant hardware deters theft, offering peace-of-mind with every installation and for additional security, the mount has accommodations for optional padlocks.

- Made of corrosion resistant materials for weather resistance
- Universal mount fits displays with mounting patterns up to 732 x 405mm (28.84"W x 15.94"H) and up to 600 x 400mm VESA® compliant
- Lock the tilt angle in 5° increments for the perfect view and also prevent tampering or undesired adjustment with the IncreLok™ tilt technology
- Horizontal display adjustment up to 8" (203mm) for better display placement
- 2.64" (67mm) from the wall
- Double stud mounting with 16", 20" & 24" stud placements
- Tamper-resistant hardware is standard and also has accommodations for optional padlocks
- Wood, concrete or cinder block mounting hardware included



IncreLok™ Tilt Technology



Please visit peerless-av.com/en-us/patents for patent information.

✉ info@peerless-av.com
🌐 peerless-av.com

peerless-AV®
Driving Technology Through Innovation

EPT650	Outdoor Universal Tilt Wall Mount for 32" to 75" Displays				
--------	---	--	--	--	--

Product Specifications

	DIMENSIONS (W x H x D)	PRODUCT WEIGHT	LOAD CAPACITY	FINISH	AVAILABLE COLORS
EPT650	30.87" x 16.89" x 2.64"-5.51" (784 x 429 x 67-140mm)	8.5lb (4kg)	175lb (79kg)	E-Coat Covered with Outdoor Powder Paint	Black

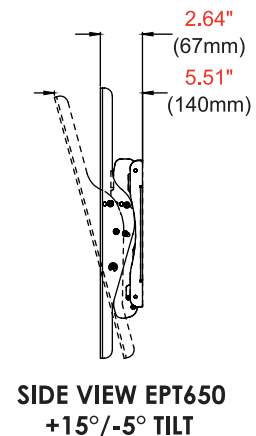
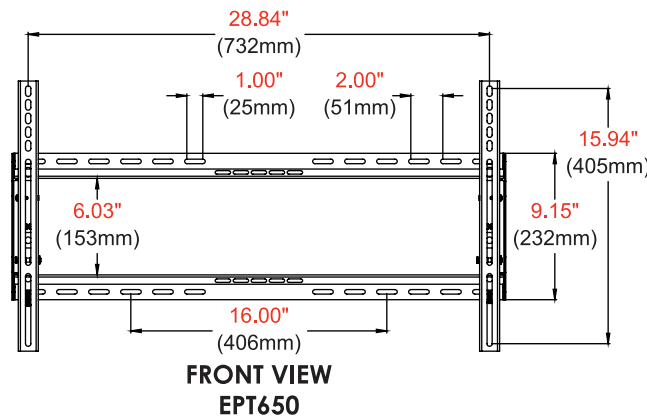
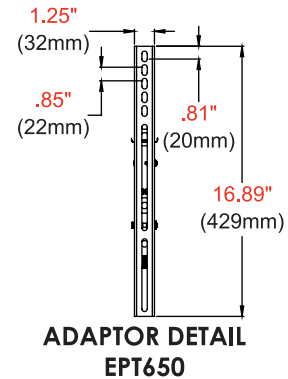
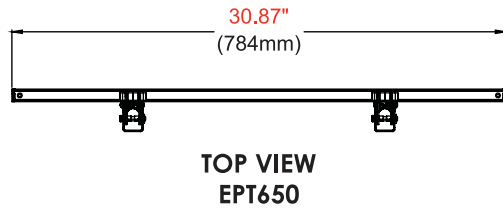
Package Specifications

	PACKAGE SIZE (W x H x D)	PACKAGE SHIP WEIGHT	PACKAGE UPC CODE	PACKAGE CONTENTS	UNITS IN PACKAGE
EPT650	32.00" x 3.63" x 10.25" (813 x 92 x 260mm)	10.5lb (5kg)	735029275640	Mount and Mounting Hardware	1

Accessories HDS-OWRE-300: Wireless Outdoor Module

Compatible with Neptune™ Shade Series Outdoor TVs
 Neptune™ Partial Sun Outdoor Smart TVs
 Xtreme™ High Bright Outdoor Displays

All dimensions = inch (mm)



Architect Specifications

The Outdoor Universal Tilt Wall Mount shall be a Peerless-AV model EPT650 and shall be located where indicated on the plans. Assembly and installation shall be done according to instructions provided by the manufacturer.

Visit peerless-av.com to see the complete line of AV solutions from Peerless-AV, including outdoor displays, kiosks, display mounts, projector mounts, carts/stands, and a full assortment of accessories.

Peerless-AV
 2300 White Oak Circle
 Aurora, IL 60502 USA
(800) 865-2112
(630) 375-5100
Fax: (800) 359-6500

Peerless-AV EMEA
 Unit 3 Watford Interchange
 Colonial Way, Watford
 Herts, WD24 4WP
 United Kingdom
+44 (0) 1923 200100
Fax: +44 (0) 1923 200101

Peerless-AV Latin America
 Av. de las Industrias 413
 Parque Industrial Escobedo
 General Escobedo, N.L.,
 México, 66062
+52 (81) 8384-8300
Fax: +52 (81) 8384-8360

