

DS-LEDFLAAF-3X3

# SEAMLESS Flat Wall Mount

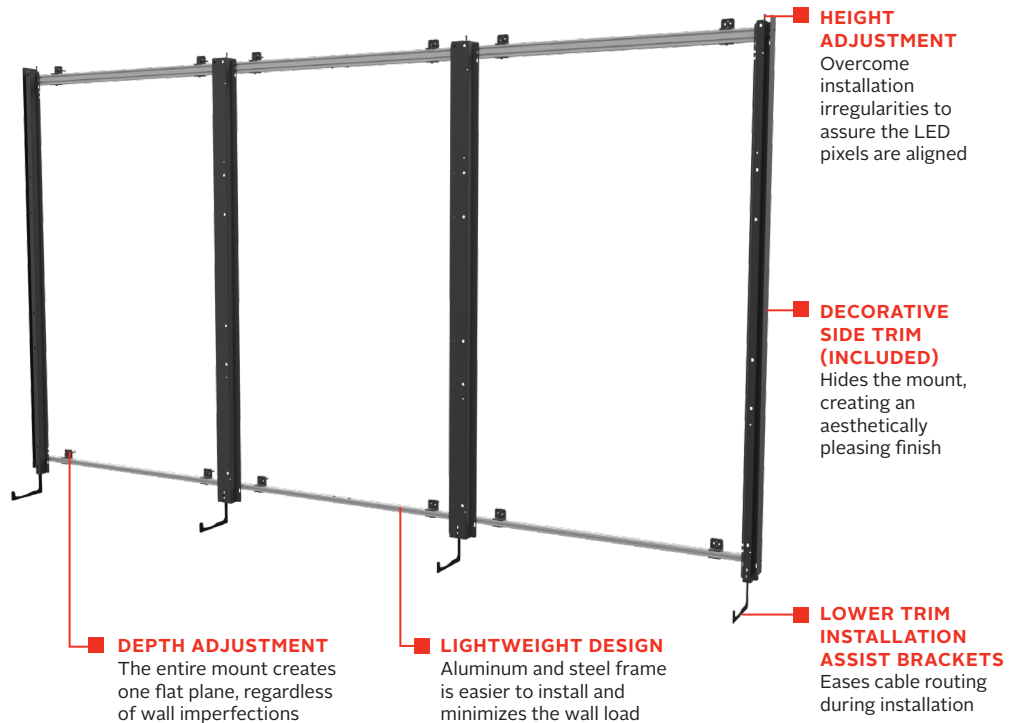
FOR LG 130" ALL-IN-ONE LED SCREEN (LAA015F)



Peerless-AV's SEAMLESS Flat Wall Mount is designed exclusively for the LG 130" All-in-one LED Screen (LAA015F), offering a slim, space-saving, and aesthetically appealing design. With a lightweight aluminum/steel frame and a design that focuses on ease of cable management, integrators can quickly and easily mount the large LED display configuration to a wall. Peerless-AV® also offers start to finish support through the SEAMLESS dvLED Video Wall Integration Program. The Peerless-AV dvLED Solutions Team is there every step of the way to ensure every customer receives SEAMLESS product support and service.

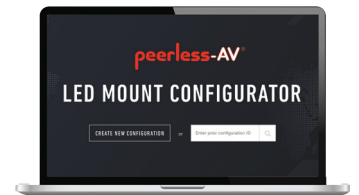


- Modular display installation lowers cost by reducing the amount of labor required
- Tested by Peerless-AV® to UL2442 standard to provide a trusted level of safety
- Mount depth of only 60mm holds LED display close to the wall for a slim, space saving appearance
- Compatible with LG bezel finishing kit (ACC-LAAMF15) to create a sleek and stylish appearance ideal for any professional application



## SEAMLESS by Peerless-AV® - dvLED Video Wall Integration Program offers:

 EXPERT TEAM	 MARKETING SUPPORT	 CUSTOM CAPABILITY	 DEDICATED LED MOUNTING SOLUTIONS
 PRECISION ENGINEERING	 LIGHTWEIGHT DESIGN	 INSTALLER FRIENDLY	 CERTIFIED TRAINING



Visit [Peerless-AV.com/SEAMLESS](http://Peerless-AV.com/SEAMLESS) to get your project started!

DS-LEDFLAAF-3x3 SEAMLESS Flat Wall Mount for LG 130" All-in-one LED Screen (LAA015F)

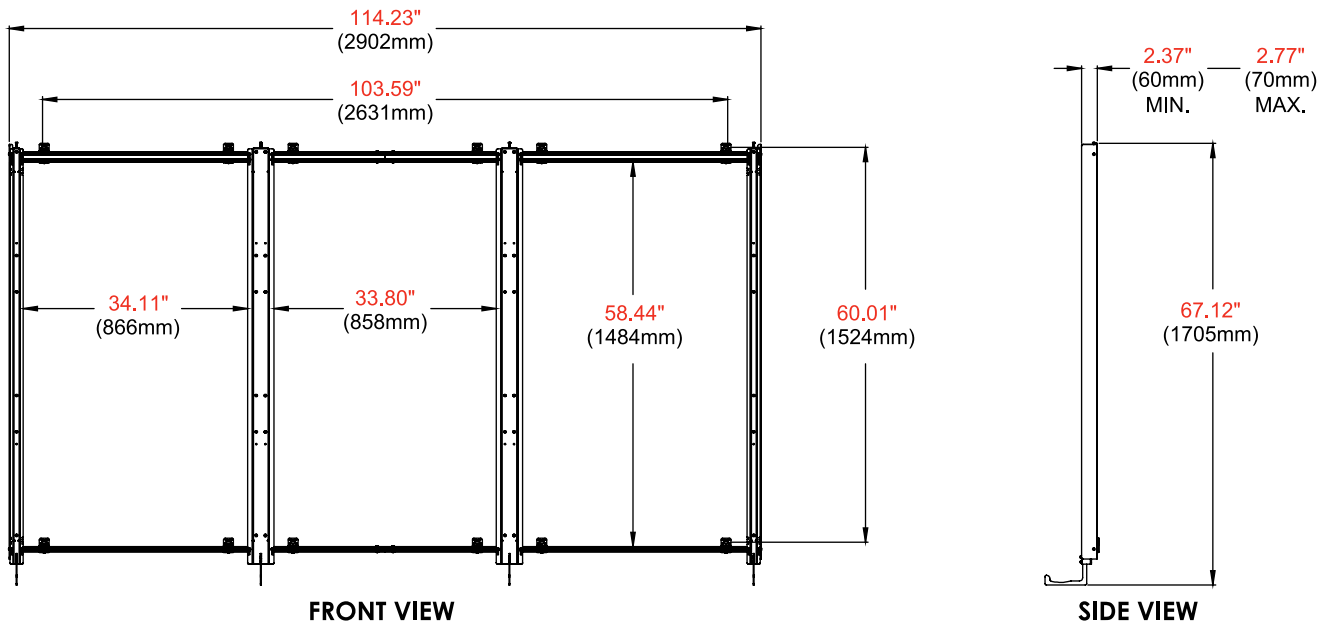
**Product Specifications**

	DIMENSIONS (W x H x D)	PRODUCT WEIGHT	LOAD CAPACITY	FINISH	COLOUR
DS-LEDFLAAF-3x3	114.23" x 67.12" x 2.37"-2.77" (2902 x 1705 x 60-70mm)	68.4lb (31kg)	425lb (193kg)	Powder Coat & Clear Anodized Finish	Black & Silver

**Package Specifications**

	PACKAGE SIZE (W x H x D)	PACKAGE SHIP WEIGHT	PACKAGE UPC CODE	PACKAGE CONTENTS	UNITS IN PACKAGE
DS-LEDFLAAF-3x3	66.50" x 29.00" x 8.00" (1689 x 737 x 203mm)	85lb (38.6kg)	735029334415	Wall Plate, Mounting Bracket, Spacer & Hardware	1

All dimensions = **inch** (mm)



**Architect Specifications**

The SEAMLESS Flat Wall Mount shall be a Peerless-AV model DS-LEDFLAAF-3x3 and shall be located where indicated on the plans. Assembly and installation shall be done according to instructions provided by the manufacturer.

Visit [peerless-av.com](http://peerless-av.com) to see the complete line of AV solutions from Peerless-AV, including outdoor displays, kiosks, digital audio, display mounts, projector mounts, carts/stands, and a full assortment of accessories.

**Peerless-AV**  
2300 White Oak Circle  
Aurora, IL 60502 USA  
**(800) 865-2112**  
**(630) 375-5100**  
**Fax: (800) 359-6500**

**Peerless-AV EMEA**  
Unit 3 Watford Interchange  
Colonial Way, Watford  
Herts, WD24 4WP  
United Kingdom  
**+44 (0) 1923 200100**  
**Fax: +44 (0) 1923 200101**

**Peerless-AV Latin America**  
Av. de las Industrias 413  
Parque Industrial Escobedo  
General Escobedo, N.L.,  
México, 66062  
**+52 (81) 8384-8300**  
**Fax: +52 (81) 8384-8360**

