

ACCD-ALS



# Ambient Light Sensor Extender Accessory

FOR PEERLESS-AV® OUTDOOR TVS AND DISPLAYS

Peerless-AV's Ambient Light Sensor (ALS) Extender automatically adjusts the brightness of the display/TV based on ambient lighting conditions. The ALS Extender overrides the built-in ambient light sensor, when it is connected, allowing flexibility for installations where the built-in ALS may have shadows being cast on it by surrounding structures or vegetation. The ALS Extender can be placed in a location that is more representative of the actual ambient light conditions.

Compatible with the following  
Peerless-AV® Solutions:

- UltraView™ UHD Outdoor TVs  
(UV862)
- Xtreme™ High Bright Outdoor  
Displays (XHB432, XHB492,  
XHB552, XHB652)
- Outdoor Digital Menu Boards  
(KOF549-1XHB/-2XHB/-3XHB,  
KOF555-1XHB/-2XHB/-3XHB)
- Smart City Kiosks  
(KOP2549(-S)-XHB,  
KOP2555(-S)-XHB)



## Model Numbers

Warranty: 1 Year

ACCD-ALS Ambient Light Sensor Extender Accessory for Peerless-AV® Outdoor TVs and Displays

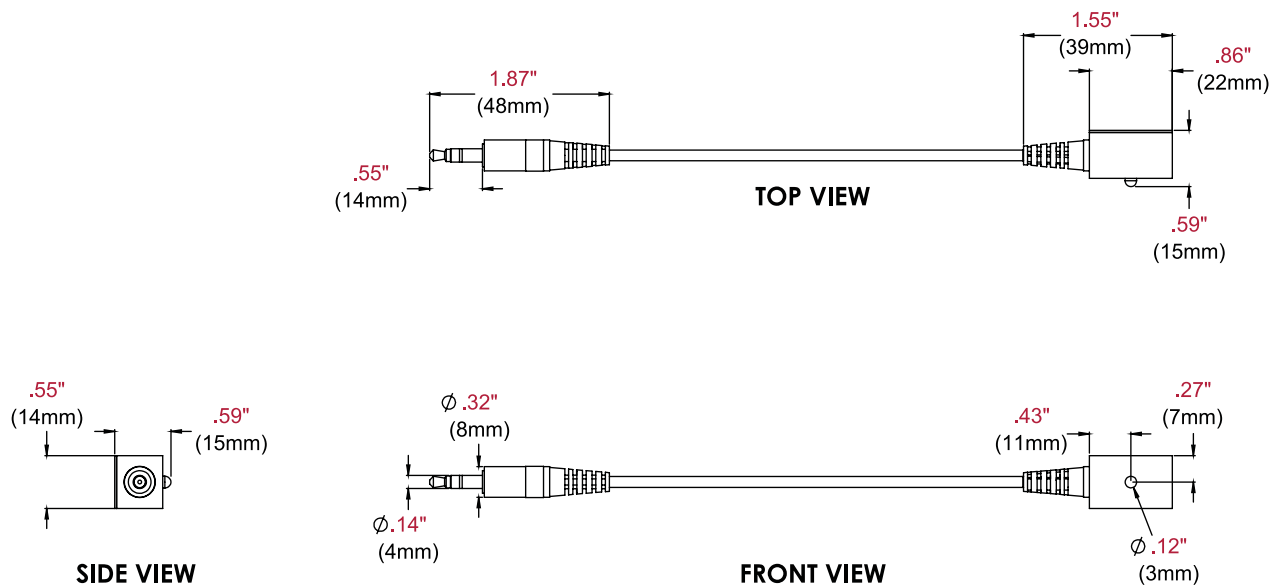
## Product Specifications

MODEL NUMBERS	CABLE LENGTH (L)	AVAILABLE COLORS
ACCD-ALS	72" (1829mm)	Black

## Package Specifications

MODEL NUMBERS	PACKAGE SIZE (W x H x D)	PACKAGE SHIP WEIGHT	PACKAGE UPC CODE	PACKAGE CONTENTS	UNITS IN PACKAGE
ACCD-ALS	5.62" x 3.25" x 2.50" (142.87 x 82.55 x 63.5mm)	0.18lb (0.08kg)	735029323457	ALS Extender and Instructions	1

All dimensions = inch (mm)



## Architect Specifications

The Ambient Light Sensor Extender Accessory shall be a Peerless-AV® model ACCD-ALS and shall be located where indicated on the plans. Assembly and installation shall be done according to instructions provided by the manufacturer.

Visit [peerless-av.com](http://peerless-av.com) to see the complete line of AV solutions from Peerless-AV, including outdoor displays, kiosks, digital audio, display mounts, projector mounts, carts/stands, and a full assortment of accessories.

**Peerless-AV**  
2300 White Oak Circle  
Aurora, IL 60502 USA  
**(800) 865-2112**  
**(630) 375-5100**  
**Fax: (800) 359-6500**

**Peerless-AV EMEA**  
Unit 3 Watford Interchange  
Colonial Way, Watford  
Herts, WD24 4WP  
United Kingdom  
**+44 (0) 1923 200100**  
**Fax: +44 (0) 1923 200101**

**Peerless-AV Latin America**  
Av. de las Industrias 413  
Parque Industrial Escobedo  
General Escobedo, N.L.,  
México, 66062  
**+52 (81) 8384-8300**  
**Fax: +52 (81) 8384-8360**

**peerless-AV®**  
Driving Technology Through Innovation