



8

insólito

insólito

Insolito is an Ecuadorian-based lifestyle brand inspired by the fluidity of patterns. We believe design should be decadent. Uniformity creates formity and vibrancy creates life.

Built on the foundation of bold graphics, rich colors and femininity, we take our global perspective to create artful clothing, home and textile products. Our process begins by using IDEM, our method for creation. Here, our original photographs are manipulated to create new patterns ownable to the brand.

Conscious of the the materials we use, many of our products are made from recycled plastics and textiles.

Since launching in 2016, we have been commissioned for custom furniture, the design or interiors for both residential and commercial spaces along with home accessories.

Insolito was founded by sisters Camila and Veronica Burbano.

Camila, the creative, focuses on design and operations. A graduate of Pratt Institute in New York, she studied graphic design and worked with Jonathan Adler and famed Bauhaus ceramicist Eva Zeisel during her five year tenure in the United States.

Veronica handles the business side. Her international education from George Washington University and a global perspective from living abroad in Florence and Spain where she received her MBA in entrepreneurship in ESADE Business School in Barcelona, is the perfect compliment.

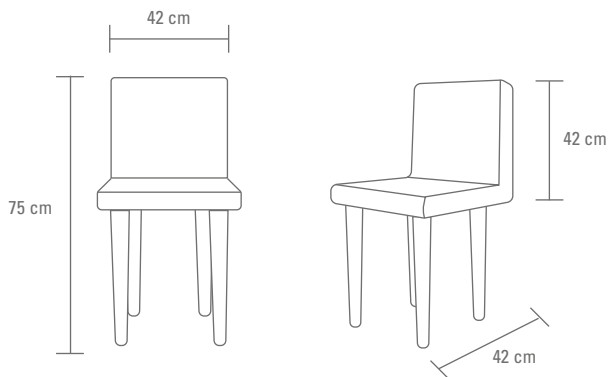












Petite Chair

Style/type: Chair (Decorative)

General dimensions: 75cmheightx42x42cmseatxseatheight42cm

Seat Height: 42 cm (16'inches)

Seat Width: 42x42 cm (16x16'inches)

Total Height: 75 cm (29'inches)

Weight: 2 KG

Upholstery: Satin Fabric 100% polyester

Print: Wild Orchids

Description: This decorative chair is inspired by rock furniture and thrones of the manteño huancavilcan culture. This chair is light and comfortable and perfect for a nook in a room. It is easy to move and can work in the bedroom as a side chair, or even a chair you can use to put on your shoes.

Materials: Ply wood for strccuture, 100% polyester foam cushion, satin fabric 70% Polyester-30% cotton, and Laurel wood for chair legs.

Fabric Base:



velvet



satin



linen

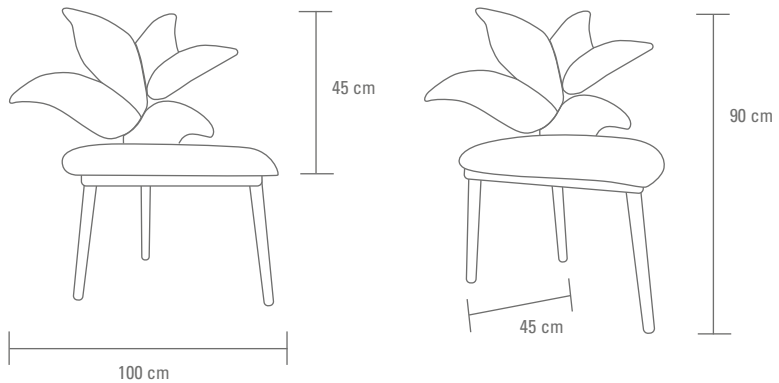












Heliconia

Style/type: Sculptural Furniture Chair

General dimensions: 90cmheightx45x100cmseatxseatheight45cm

Seat Height: 45 cm (17'inches)

Seat Width: 45x100 cm (17x39'inches)

Total Height: 90 cm (35'inches)

Weight: 3 KG

Upholstery: Printed Canvas Fabric

Print: Jungle Leaves Dark Plumb

Description: This sculptural chair is inspired by a colorful plant in the amazon called heliconia. This chair can be used for a living room or as a statement piece for the home and or commercial spaces. The canvas fabric is very resistant and it can come in a variety of prints and colors. The chair is very functional even though it has three legs the seat is very comfortable and can be used as a reading chair.

Materials: Ply wood for structure, pine wood for the chair legs, printed canvas fabric 100% polyester and foam 8 cm 100% polyester.

Fabric Base:



velvet



satin



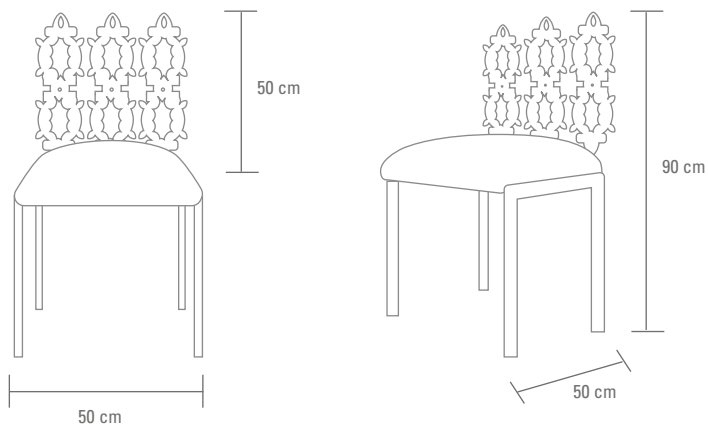
linen











Idem hrone

Style/type: Sculptural Furniture Dinning Chair

General dimensions: 90cmheightx50x50cmseatxseatheight50cm

Seat Height: 50 cm (19'inches)

Seat Width: 50x50 cm (19x19'inches)

Total Height: 90 cm (35'inches)

Weight: 10 KG

Finish: Rose Gold Finish

Upholstery: Rabbits Fur

Print: None

Description: This dinning Chair is inspired by the reflections the plants create against the rivers in the amazon. The fretwork on the back of the chair is mimicking in a graphic way the reflections that form from the plants against the river. This sculptural piece can be used as a statement piece for your home as well as a chair for your dinning room or commercial spaces. Even though the chair is iron made it fretwork on the back makes it lighter and easy to move around and use daily. Available in silver, gold, rose gold and electric blue chrome plated finish.

Materials: Metallic iron structure chrome plated rabbits fur.

Rabbits Fur:

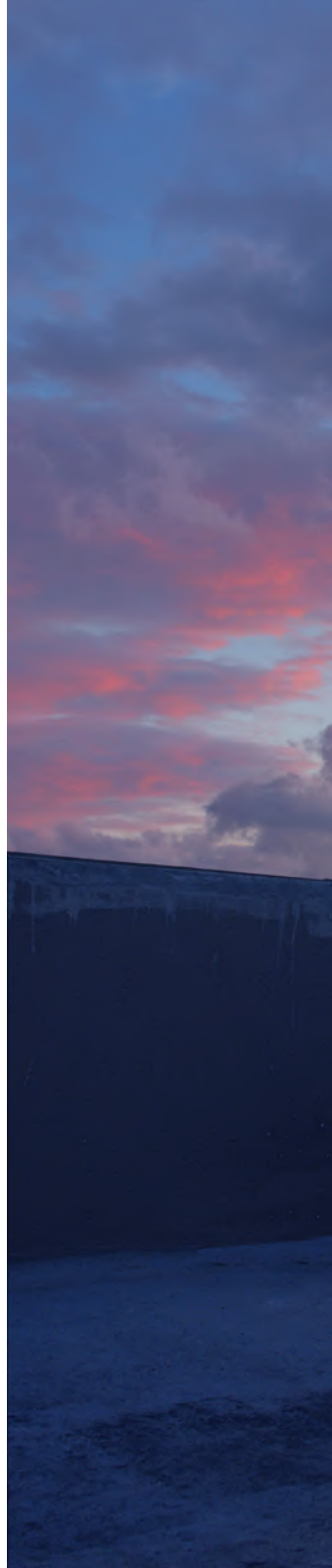


white



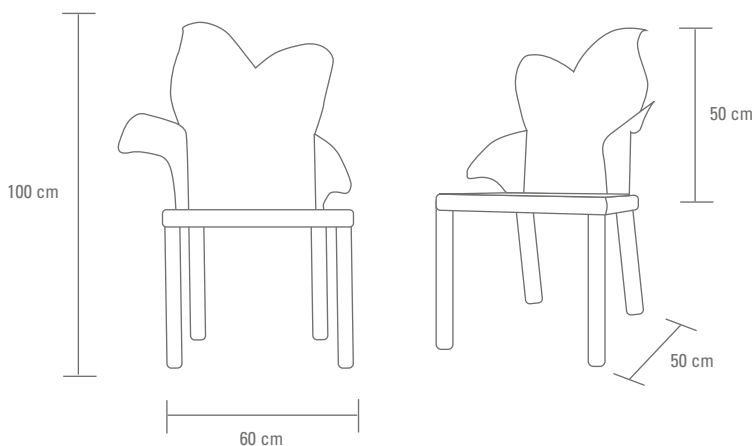
blue











Bromeliads Armchair

Style/type: Sculptural Furniture (Armchair)

General dimensions: 100cmheightx50x60cmseatxseatheight50cm

Seat Height: 50 cm (19'inches)

Seat Width: 50x60 cm (19x23'inches)

Total Height: 100 cm (39'inches)

Weight: 19 KG

Finish: Rose Gold Finish

Print: None

Description: This armchair is inspired in the 8000 species of wild orchids that inhabit the Ecuadorian Amazon. This is a piece of sculptural furniture; it can work for both an inside or outside setting. It can be used as a statement piece in both a home or a commercial setting. The materials are noble and make it easy to clean and age beautifully. It is a decorative piece but it is also functional and comfortable to sit in. Available in silver, gold, rose gold and electric blue chrome plated finish.

Materials: Metallic iron structure chrome plated.

Fabric Base:



none

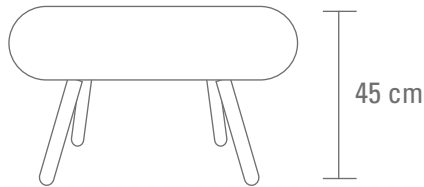
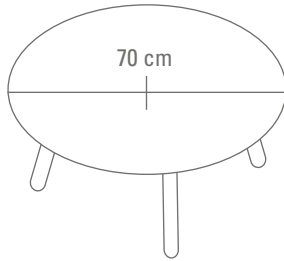








insólito



Shrooms

Style/type: Ottoman

General dimensions: 70cmdiax45cmheight

Seat Height: 45 cm (17' inches)

Diameter: 70 cm (27'inches)

Weight: 5 KG

Upholstery: Printed Velvet (Yellow)

Print: Wild Palm Print

Description: This ottoman is inspired by the wild mushrooms of the highlands in Ecuador. Its design is functional and can work as a foot rest, coffee table or as an alternative chair for the living room. It is a great piece to give a touch of color and funk to your interiors.

Materials: Laurel wood, 100% polyester foam cushion, velvet fabric 100% Polyester.

Fabric Base:



velvet



satin



linen







Contact

Camila Burbano de Lara
mail: camila@q-insolito.com
phone: +593 999 7222 08
Address: Amazonas N20-45 y Jorge
Washington
Quito-Ecuador

Veronica Burbano de Lara
mail: veronica@q-insolito.com
phone: +593 999 9098 36
Address: Amazonas N20-45 y Jorge
Washington
Quito-Ecuador

For general inquires:

info@q-insolito.com
Facebook: Insolito
Instagram: @q_insolito

www.q-insolito.com

