



**WILDCAT
POWER GEN**

FRONTIER

OFFGRID AC GENERATORS

FR0951240NG-LPG

FR1251240NG-LPG

Key Features

- Handmade in Hutchinson, Kansas, USA.
- Heavy duty generator system designed for prime power operation in remote applications.

Skidbase and Enclosure

- Available ONLY AS open skid
- Package frame is a heavy duty, field-ready base designed to withstand the harsh of environments
- Wet Spray frame
- Package is lite and able to be loaded into the back of trucks; lifting eyes designed for safe, well-balanced hosting with a 5-x safety factor for the weight of the unit.

Generator

- Output Voltage 240V/120V, 1/Ø
- Brushless Alternator with capacitor regulation, single voltage AC generator
- High efficiency with steady voltage delivery
- Minimal electronics

Fuel System

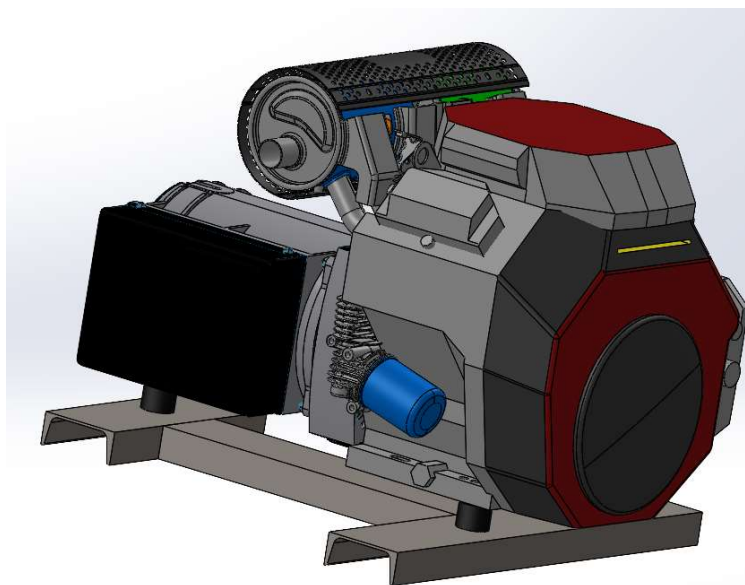
- Available in Natural Gas (NG), Liquid Petroleum Gas/Propane (LPG).
- Fuel consumption based on engine and load configurations

○ NG-LPG (13kWe Ratings)

- 50% load – 50,660 BTU/ hr.
- 75% load – 76,000 BTU/ hr.
- 100% load – 111,500 BTU/ hr.

Warranty

- All models are covered by a comprehensive limited warranty up to 1 year or 8,760 hours



**WILDCAT
POWER GEN**

eNGines-LPG, LLC
120 E 3rd Ave
Hutchinson, KS 67501
620.500.5111
WildcatPowerGen.com

Frontier OffGrid AC Generators

Generator Ratings and Specs

GX690		
Engine Type	4 Stroke Air-Cooled OHV V-Twin	
HP Output (Hp) @3600 RPM	17.4Hp	
Direct Injection	Electrical	
Bore x Stroke (in)	3.07" x 2.83"	
Displacement (cm ³)	688	
Compression Ratio	9.3:1	
Speed Control	Digital CDi with variable ignition timing	
Dimensions: (Weight, L x W X H) [lbs/in]	98.3, 16.88 x 16.14 x 17.25	
S20W/S20F		
VAC output (VAC)	240V/120V 1/Ø	240V/120V 1/Ø
Power Outlet (kW)	10.2kW	15.5kW
Max DC output (A)	Up to 50A	Up to 80A
Max Efficiency	86%	
RPM	3600 RPM	
Rating	2Pole, 1/Ø, 1P23, 60 HZ	

