



Portable Air Cooler Manual

VS001-PAC - EAN: 5060663690265



Before using your unit, please read these instructions and keep them for future reference

Vybra Solutions Ltd, 5 Kingsway, Andover, UK
sales@vybrasolutions.co.uk +44(0) 330 100 5206

1. Important Safety Information

WARNING

When using electrical appliances, basic precautions should always be followed to reduce the risk of fire, electrical shock and injury.

1. Only use this appliance for the purposes described in the instruction manual.
2. Only connect this product to main power compliant with the information on the power plate.
3. Do not cover this product with objects, to avoid overheating or fire.
4. Do not plug in before properly installed.
5. Check that the power cord is not damaged.
6. Do not fold or pull the power cord hard.
7. Changing the power cord must be performed by professionals.
8. Do not use this product in bathroom or near a pool.
9. Keep children away from this product while it is working.
10. Unplug when moving this product or power supply breaks.
11. Unplug when cleaning the water tank or any part of the product.
12. Unplug the unit when adding water or ice packs.
13. Empty the water tank before moving the product.
14. Do not use this product for too long in confined spaces.
15. Ensure the inside of this product is dry before re-use.
16. Do not exceed the maximum water level when adding water into tanks.
17. Do not use this product in wet, dusty or extreme heat conditions.
18. Do not use this product near curtains or any material which could be sucked into the air intake.
19. Do not insert fingers or objects into the product.
20. Do not unplug the plug with wet hands.
21. Never submerge the product, power cord or plug into water.

Important Notice:

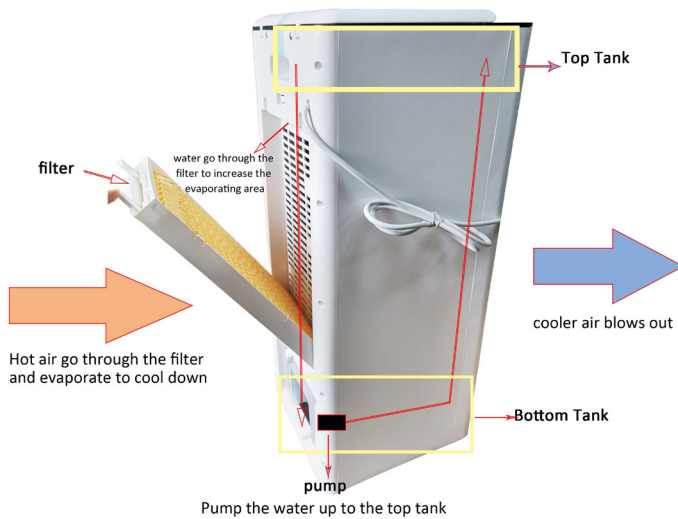
The control panel should not get wet under any circumstances.
Disconnect from the power source before cleaning this product.



CORRECT DISPOSAL OF THE PRODUCT

This marking indicates that this product should not be disposed of with other household waste throughout the UK. To prevent possible harm to the environment or human health from uncontrolled waste disposal, recycle it responsibly to promote the sustainable reuse of material resources.

2. Product Diagram



3. Installation Instructions

Please follow these instructions when using this product:

1. Carefully unpack the product and all accessories.
 - *Keep the package materials out of reach of children.
 - *Carefully check for any external damage.
2. Place the product on a sturdy, flat surface and make sure there is enough space all around for sufficient ventilation.
 - *Open the top cover of the product and check if all accessories are there.
 - *Clean the outside of this product with a slightly damp cloth.
 - *Install the castors in the 4 holes at the bottom of the product.
3. Fill the ice packs with water and freeze, then close. Note the ice pack never needs to be replaced.



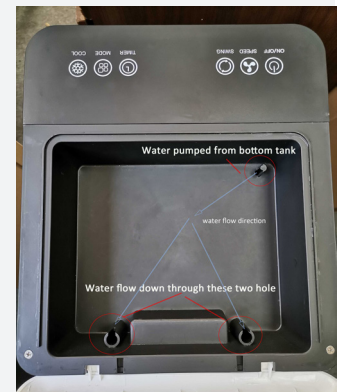
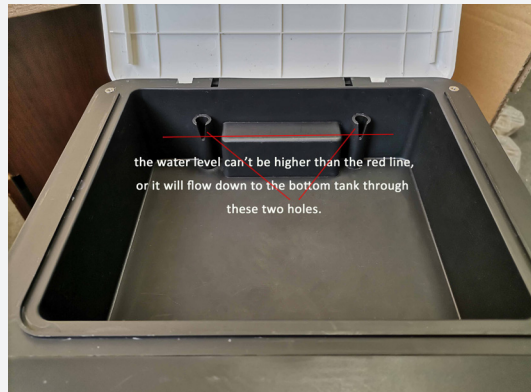
Caution:

- The water in the ice packs is not suitable for consumption and is for use in this product only.
- The cooling elements in the ice packs are not substitutable for water and are not for other purposes.

4. Before connecting the product, please check that:
 - *The main power source corresponds with the information on the power plate.
 - *The socket and power cord are suitable for this product.
 - *The product is placed on a stable and flat surface.

5. Filling the water tank with water

The water tank should be filled with water via the reservoir on the top cap or straight into the bottom water tank.



Option 1: Straight into the bottom water tank

Step 1: Turn the lock lever of the tank to a horizontal position and pull the water tank partly out.

Step 2: Fill the water tank with fresh cold water and ensure the water does not exceed the maximum level - shown both on the front viewing window and the fill line on the rear of tank. (If you place the ice packs in the tank, also make sure the water level does not exceed the maximum level)

Step 3: Place the water tank back to its original position and turn the lock lever to vertical position to lock it.

Option 2: Via the top cap

Step 1: Open the top cap.

Step 2: Place the three ice blocks in the top reservoir then fill with fresh cold water. The water will flow to the bottom water tank - ensure the water level does not exceed the maximum level.

6. Emptying the bottom tank

Step 1: Using a cup or similar utensil, remove all of the water.

Step 2: For the last drops of water, use a sponge or towel and dry the inside of the unit.

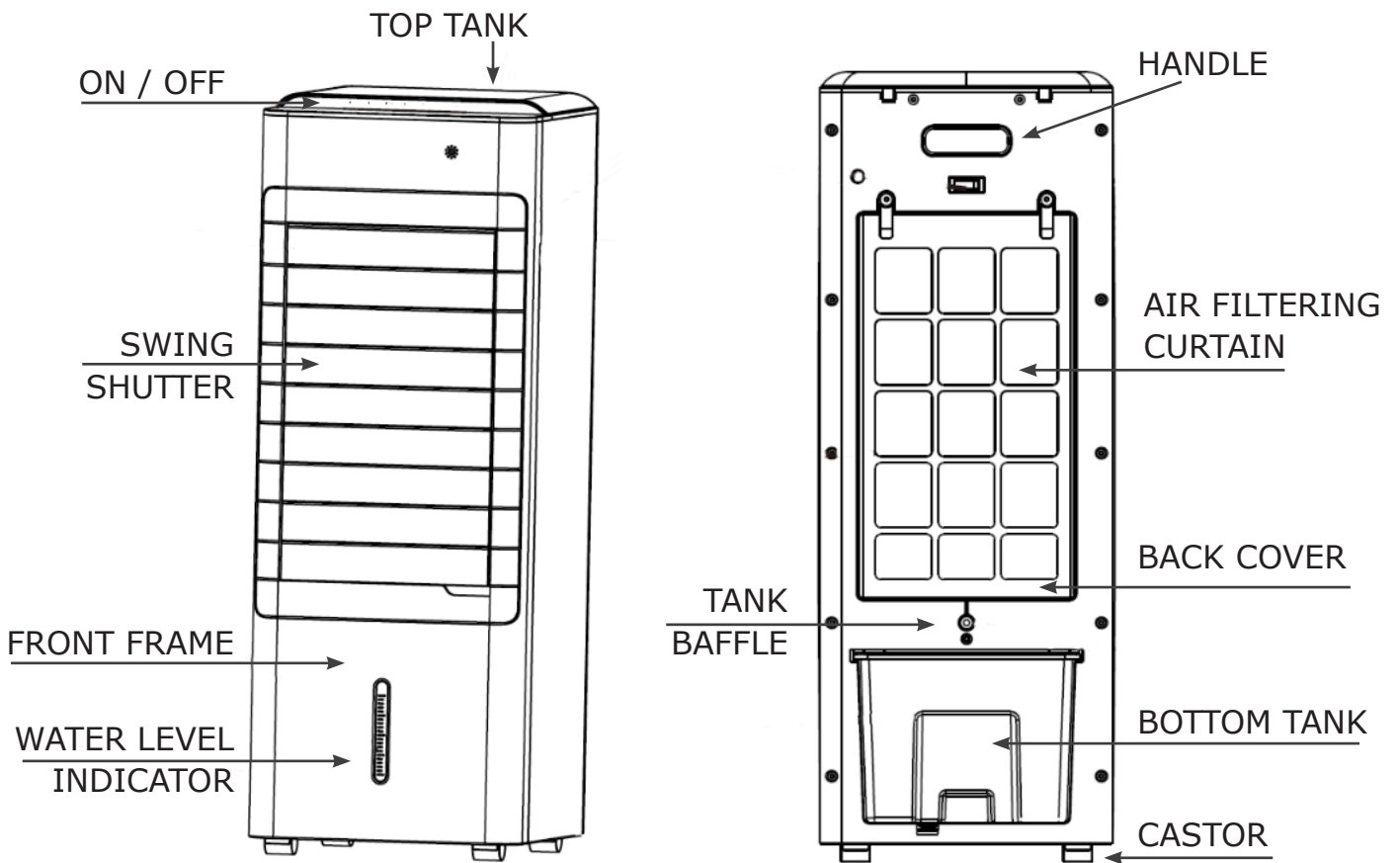
NOTE: Do not tip-up the unit or pour the water out of the unit.

7. Once the three ice blocks have been placed in the top reservoir, with the water to fill line, the Cooler is now ready to use, via the control panel or remote.

3. Technical Information

Part no	Voltage	Power	Tank Volume	Control	Dimensions
VS001-PAC - 5060663690265	220-240V, 50Hz	80W	7 litres	Remote	270x305x730

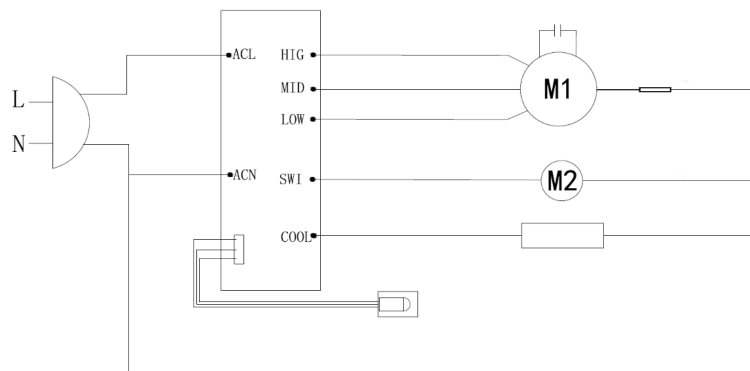
4. Structural Diagram



5. Control Panel

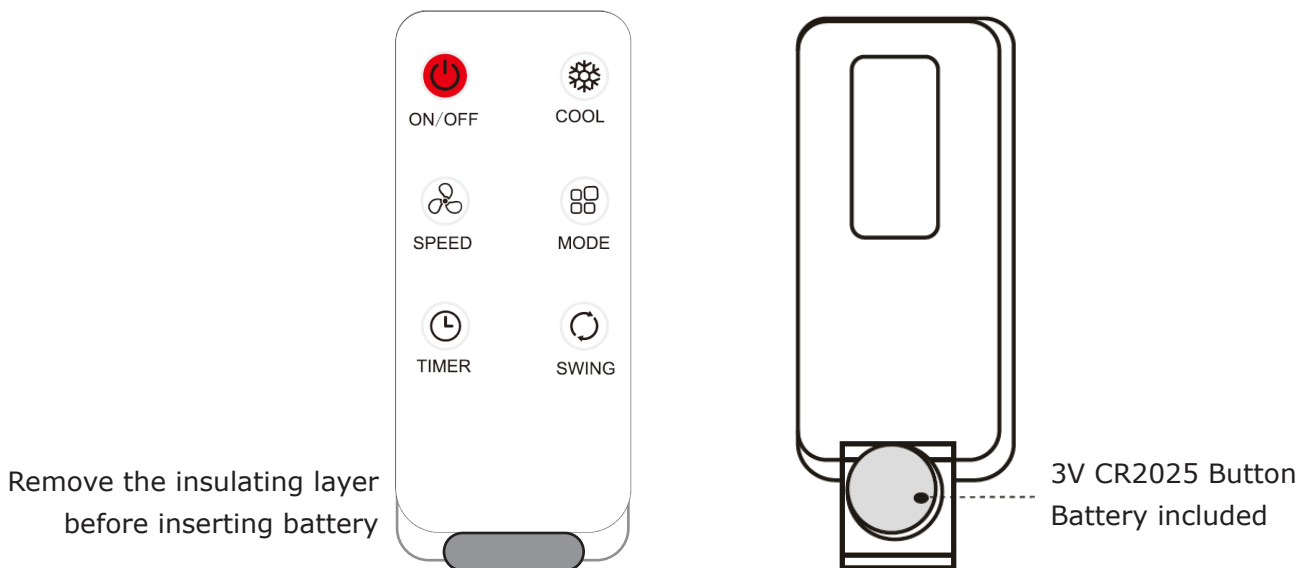


6. Electrical Diagram



7. Remote Control

- 1. Plug** the power into the power socket, press the '**ON/OFF**' button.
After the product beeps, the indicator lights up and the product starts working.
- 2. ON/OFF key:**
The product turns **ON** when pressing this key, and **OFF** by re-pressing it.
- 3. Speed key:**
The default speed is '**Medium**' when first turning on the product.
The speed increases one level by pressing this key once. There are 3 speed levels '**Low**' '**Medium**' and '**High**' turns successively.
- 4. Mode key:**
There are 3 modes: '**Normal**' '**Natural**' and '**Sleeping**' in one cycle, pressing mode key the mode changes accordingly with indicator on.
- 5. Timer key:**
Press this key when power is **ON**. The timer increases one hour by one pressing.
When the timer is set, it counts down per hour and the product turns off when timer is up and all functions stop.
- 6. Swing key:**
Air outlets swing turns **ON** and **OFF** when pressing this button. The indicator turns on and off accordingly.
- 7. Cool Key:**
Cooling turns **ON** and **OFF** when pressing this button. The indicator lights on and pump starts pumping water.



- Functions on the Remote are the same as the manual control panel on the unit.
- The control distance of the Remote is about 5 meters.
- Remove batteries when not in use for a long period of time.

8. Cleaning and Maintenance

Turn **OFF** the product and unplug from the socket before cleaning or maintenance.

Cleaning the exterior:

- Use a clean, soft cloth with neutral solvent to clean the exterior.
- Do not use corrosive or alkaline solvent to clean this product.
- Do not clean the inside of this product (circuit board, motor, etc.) with any solvent
- Ensure no water gets into the control circuit as this will cause a short circuit.
- Dry the exterior of this product.
- Do not submerge the product, power cord or plug into water in any circumstances.

Cleaning the air filtering curtain:

Regular cleaning of the air filtering curtain is recommended to avoid the curtain getting clogged with dust or dirt. We would recommend to cleaning the air filtering curtain every 2 months.

- Unscrew and remove the filtering curtain at the rear of the product.
- Remove the Back Air Intake Mesh from the holder and clean it immediately if possible.
- Clean the filtering curtain with a mild detergent in lukewarm water (approx. 40° C).
- Rinse clean the filtering curtain properly with clean water and dry it in the air cooling mode and keep it fanning for another 15 minutes is able to dry the filtering curtain.

Cleaning the Back

- **Air Intake Mesh:** Clean it with clean water and a soft brush and then carefully place it back in the holder. Do not use detergent as they will affect the life span of the mesh.
- **Air Filtering Curtain:** Clean the filtering curtain with a vacuum cleaner with a soft brush nozzle.
- **Water Tank:** Remove the water tank from the bottom and carefully disconnect the pump from the water tank. Remove any water that is still in the tank, and clean the tank with a soft detergent and warm water.

Properly rinse with water and dry it. Fasten the pump in the holder again and place the water tank back in the bottom.

Seasonal Maintenance

Clean the product at the end of the season before storing it.

Empty the water tank and clean it in accordance with above instructions.

Clean the air filtering curtain and dry it properly.

Store the ice pack in the water tank.

Cover the product and store it upright on a dry and cool location.

9. Product Features

1. Three levels of wind speeds.
2. **Directional Cooling / Swing Mode:** This product is equipped with internal vertical air outlets redirecting wind directions to expand the wind range. Fix preferred wind direction by turning off automatic swing when direction swings to the preferred one.
Adjust horizontal air outlet manually according to your own needs.
3. **Cooling function:** When the cooling function is on, water is pumped to the top and flow through wet curtain to the button tank. The fan drives wind to evaporate the wet curtain to cool down the air.

This product has a large volume of water tank, which provides cooling for long periods of time.

10. Troubleshooting

Product does not work:

- check if the plug is plugged into the socket;
- check if the timer switch is on
- check if the power is on.

Difficult to move the product:

- check if the brake on the wheels is on;
- check if the wheels are damaged.

Cooling does not work:

- check if the water pump works;
- check if the water tank has water in it (ensure the water in the tank DOES NOT go below the minimum water level).

Vybra

Vybra Solutions Ltd, 5 Kingsway, Andover, UK
sales@vybrasolutions.co.uk +44(0) 330 100 5206