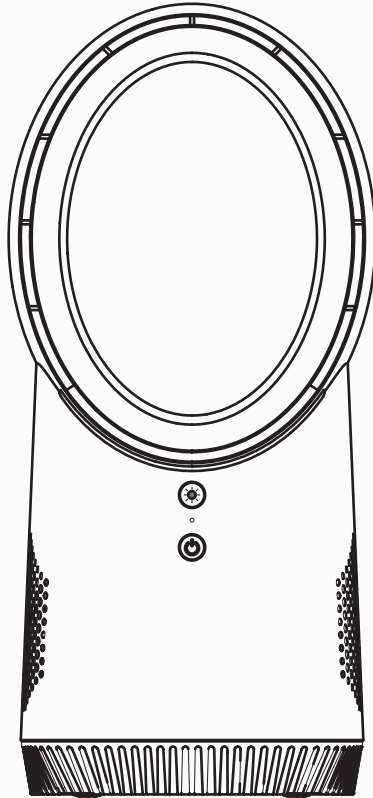


Vybra

SOLO

RECHARGEABLE PORTABLE FAN Instruction Manual



MODEL: VS001SD-B
VS001SD-W
RATING: DC5V 10W

t: 0330 100 5206
e: sales@vybrasolutions.co.uk
w: vybrasolutions.co.uk

1 | IMPORTANT SAFEGUARDS

Please read all instructions before using this product and keep these safety instructions for future reference.

When using electrical appliances, basic precautions should always be followed to reduce the risk of fire, electrical shock and injury to persons, including the following:

1. This product is suitable for indoor use only, do not use outdoors if the weather is wet;
2. For safety reasons, competent persons only should use this appliance;
3. Before plugging in the power supply, please check the rated voltage matches the voltage in your home;
4. Ensure the fan is switched off and unplugged before cleaning, moving or servicing;
5. Before use, check the power cord and the plug. If the power cord is damaged, please do not switch on, but contact the seller;
6. Do not place any objects on the fan and do not cover the air inlet or outlet;
7. Do not use the fan on a wet surface, but set up on a dry, horizontal platform away from heat sources, corrosive air and moisture;
8. Ensure the ventilation openings are free of dust, lint, hair or any other obstacles that could impair the flow in/out;
9. Do not immerse the fan power cord, or plug in water or other liquid;
10. Do not move the fan when it is connected to the power supply;
11. Do not insert any wire or other foreign matter into any hole of the machine;
12. Do not use the fan in the bathroom, or near water;
13. This fan uses lithium-ion batteries with no memory function, overcharge or overdischarge will affect the service life of the product. Please disconnect the power supply after charging.

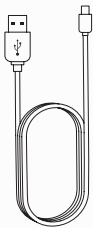
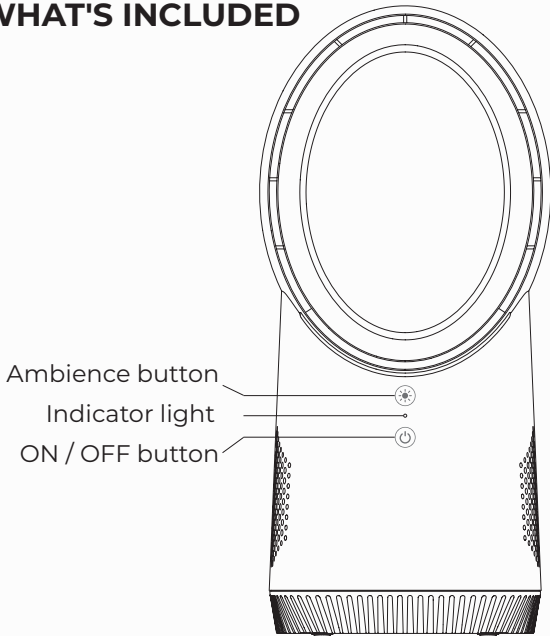
2 | PRODUCT SPECIFICATIONS

Product Name	SOLO RECHARGEABLE PORTABLE FAN		
Model	VS001SD-B VS001SD-W	Rated Voltage	DC5V
Charging Time	2 hours	Rated capacity	10W
Working hours	2 - 5 hours depending on useage	Motor Speed	3 x fan speeds
Size	140 x 130 x 303 (mm)	Net Weight Gross Weight	0.8 kg 1.1 kg

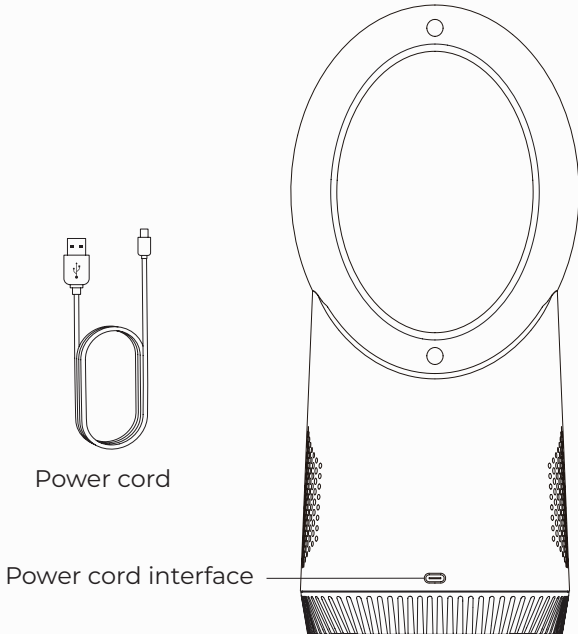


Scan to download
Vybra Solo
User Manual

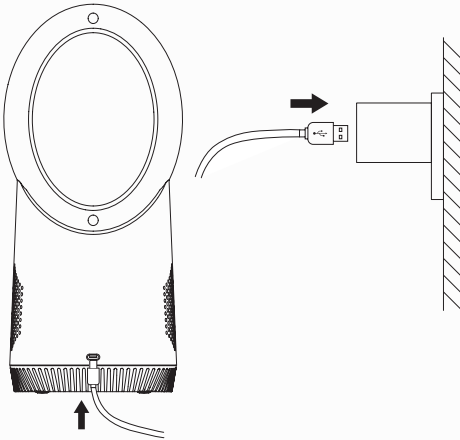
3 | WHAT'S INCLUDED



Power cord

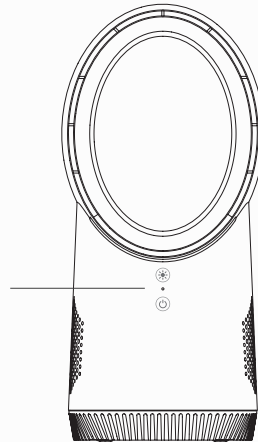


4 | OPERATING INSTRUCTIONS



- Insert the output end of the USB charging cable into the fan interface
- Insert the USB charging cable into the national standard output

- When the battery gets low, it will automatically shut down.
- When the battery is charged through the USB charging cable, the green indicator blinks and turns off when the battery is fully charged.



5 | INSTRUCTIONS FOR USE

Standby mode

1. Connect the fan with a power cord and power on the 5V adapter;
2. The fan will enter the standby mode;
3. A short signal tone sounds and the indicator light flashes green three times.

ON / OFF button

1. Press the power button on the fan, wait for the sound, the power indicator; will light up white and you will be in the first fan speed mode;
2. Press a second time for the next fan speed - the power indicator will be blue;
3. Press a third time and the third fan speed - the power indicator will be green;
4. Press it a fourth time to turn the fan OFF.

Ambient light button

1. Press the ambience light button to start the atmospheric light function;
2. Press repeatedly to obtain the desired colour - white, blue, green, red, purple, gradient;
3. Continue through the cycle to reach the end and turn the light OFF;

NOTE: the buttons have a beep feedback and work best with a light touch.

6 | MAINTENANCE, CLEANING & STORAGE

- Please ensure the fan is unplugged before cleaning;
- Regular cleaning of will keep your fan in safe and proper working order;
- Never immerse the fan in water or any other fluid, do not rinse under a tap;

CARE AND CLEANING

- Wipe the fan surface with a dry, soft cloth;
- If the fan is dirty, use a diluted detergent and then wipe carefully with a soft cloth, followed by a soft, dry cloth;
- Do not use spray cleaners;
- Use a soft brush or vacuum cleaner to lightly vacuum dust from the air inlet and outlet.

STORAGE

- After cleaning, the fan can be stored in a plastic bag;
- Keep out of direct sunlight;
- Keep out of reach of children.

7 | DISPOSAL AND BATTERY REMOVAL

- The battery inside the fan may contain substances that pollute the environment, and the battery cannot be disposed of as domestic waste.
- If you want to dispose of the fan, remove the battery and take it to a battery recycling location;
- Before removing the battery, power off to ensure that the battery is free. If there is surplus power, let the fan run until the power is exhausted. Do not short circuit the battery contact strip.

Removing the battery:

1. Remove the silicone and screws at the bottom and back of the fan (Figure 1);
2. Remove the plastic shell of the chassis and remove 2 screws (Figure 2);
3. Take out the rear shell, remove the battery terminal, and remove the battery (Figure 3).

NOTE: Do not reconnect the fan to the power supply after removing the battery.

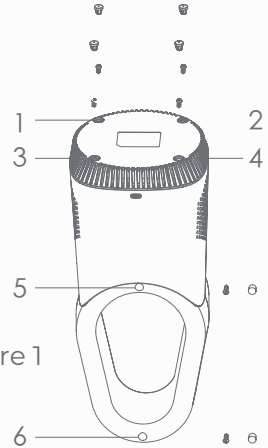


Figure 1

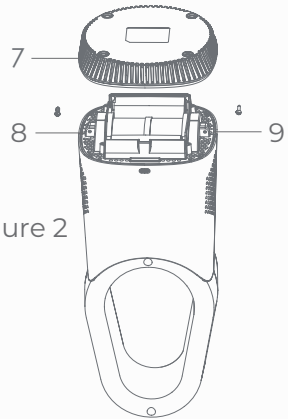


Figure 2

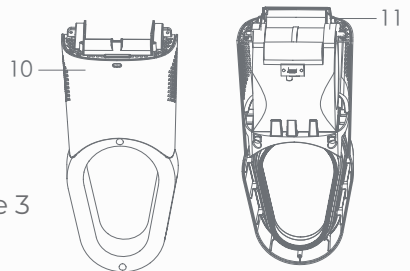


Figure 3

Vybra

e: sales@vybrasolutions.co.uk

w: vybrasolutions.co.uk