

MM815 Motorized Drop Down TV Mount

► **Read this entire manual before you begin.**

► **Do not unpack box contents until verifying the requirements listed on page 2.**

⚠ **WARNING!**

This product contains small parts that can be a choking hazard. Do not let children play with any of these small parts! Keep children away from the work area during installation.

⚠ **Caution**

This product is intended to be installed by professional installation contractors, or persons familiar with the tools and methods required for this installation. If you are not sure about your ability to perform this installation, you must contact a professional. MantelMount is not responsible for damage or injury caused by incorrect installation or improper use.

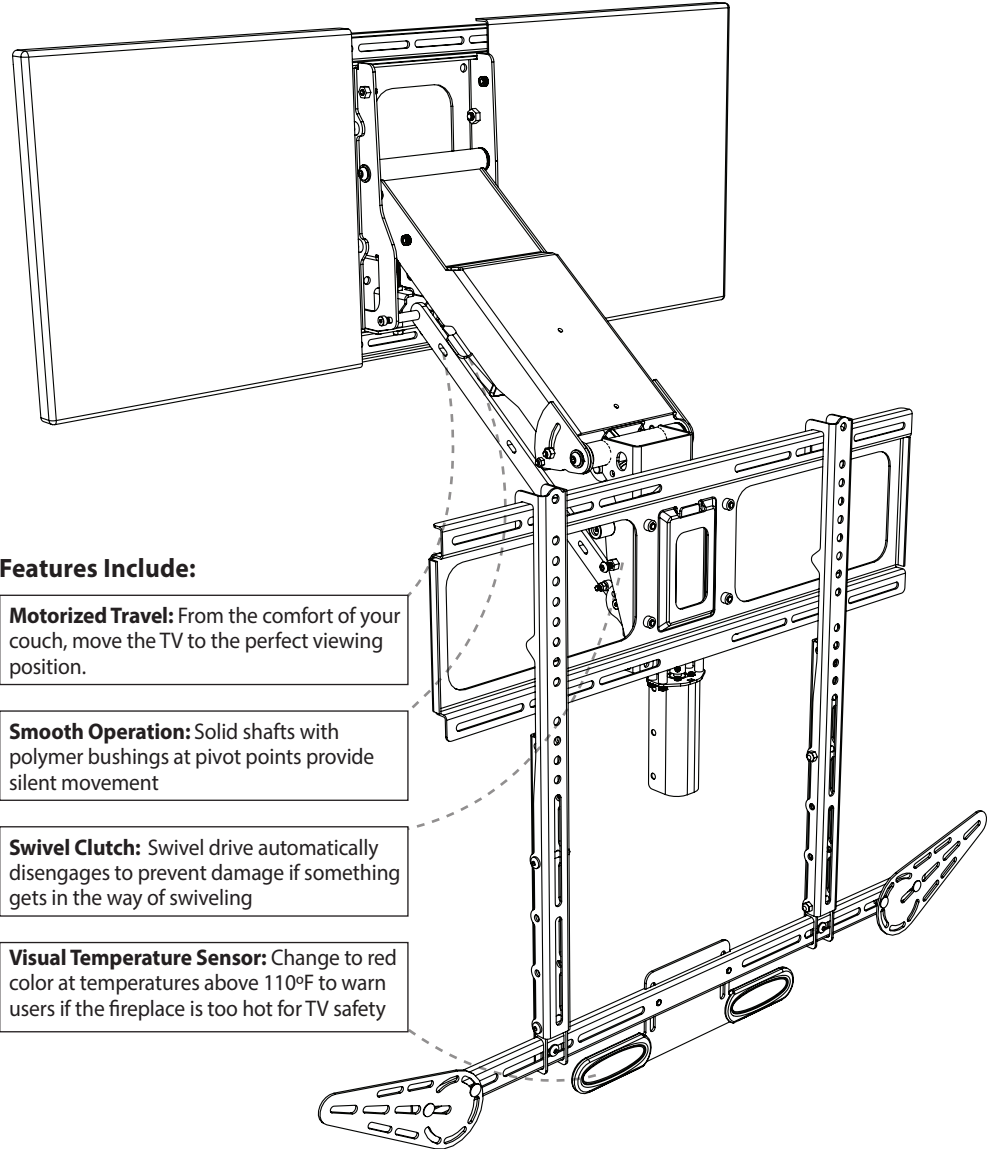
⚠ **Caution**

Do not let children operate, pull on, or hang from MantelMount.

⚠ **Caution**

Do not use this product in any way, or for any purpose, that is not specifically described in these instructions. MantelMount is not responsible for damage or injury caused by incorrect installation or improper use.

INSTALLATION INSTRUCTIONS



Features Include:

Motorized Travel: From the comfort of your couch, move the TV to the perfect viewing position.

Smooth Operation: Solid shafts with polymer bushings at pivot points provide silent movement

Swivel Clutch: Swivel drive automatically disengages to prevent damage if something gets in the way of swiveling

Visual Temperature Sensor: Change to red color at temperatures above 110°F to warn users if the fireplace is too hot for TV safety

If you need help, call 1.800.897.9755 ext.1

For missing/damaged parts or questions during installation, contact our Customer Support team at **1.800.897.9755 ext.1** or **support@mantelmount.com**.

Customer satisfaction is our highest priority!

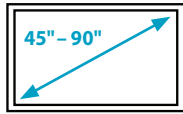
Access a PDF of this manual at **MantelMount.com/FAQs/Specs and Manuals**.

For more information on MantelMount patented technology visit:
www.mantelmount.com/pages/patents

Contains important safety information – please save! MantelMount.com

BEFORE INSTALLATION

1 Verify TV and mount space meet these criteria:



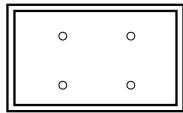
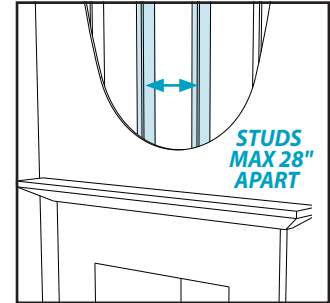
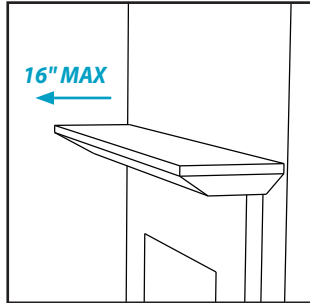
SCREEN SIZE
45" to 90"
(Diagonally)

MANTEL DEPTH 16" MAXIMUM
For TVs Shorter than 24.7" without a soundbar, mount will be visible in top position.

WOOD STUDS FOR MOUNTING
Studs Maximum 28" apart;
Wall Covering Maximum 5/8"



WEIGHT CAPACITY
20 to 115 LBS.
(Including Sound Bar)



VESA COMPLIANT
Up to
600 X 600mm

2 Verify MantelMount will fit the wall space.

A. Use the reference diagram (right) and chart (below) to write down the following measurements (in inches):

Wall Space Height: _____ (Distance from mantel to ceiling/crown molding.)

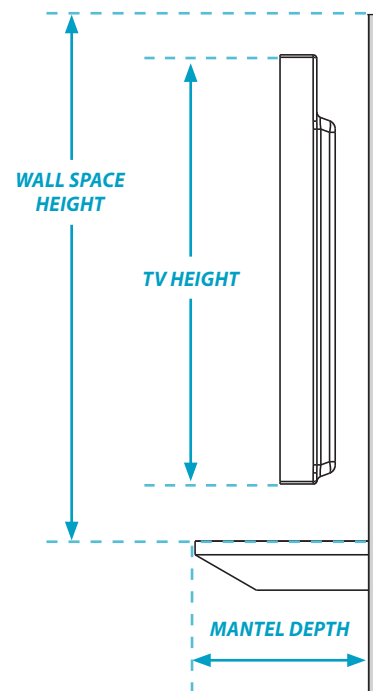
TV Height: _____ (Include sound bar height if placing below TV.)

Mantel Depth: _____ (Distance mantel extends away from the wall.)

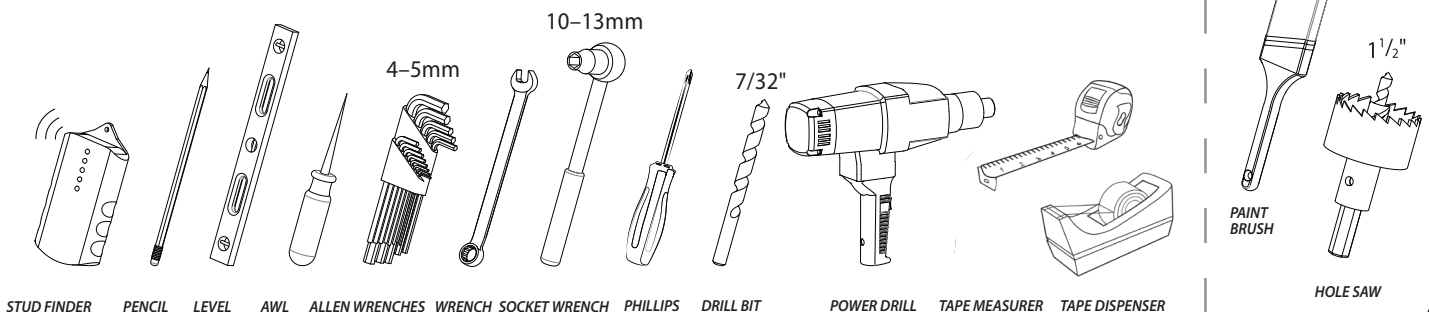
Required Vertical Space: _____ (Calculation from chart below.)

B. If the Required Vertical Space is less than or equal to the Wall Space Height, then MantelMount will fit the wall space.

If Mantel Depth is:	Required Vertical Space is:
Less than 8"	TV height + 2"
8" – 10"	TV height + 4"
10" – 12"	TV height + 6"
12" – 15"	TV height + 9"
16"	TV height + 11"



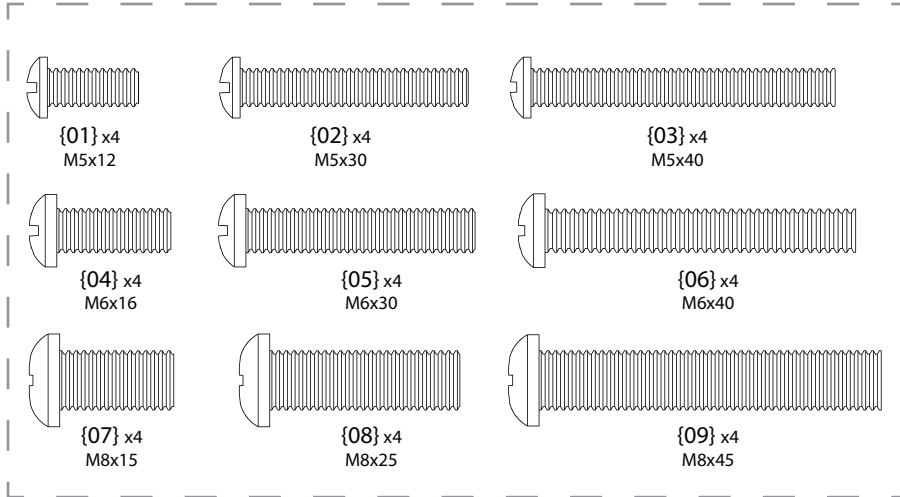
3 Verify you have the required tools.



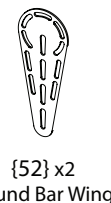
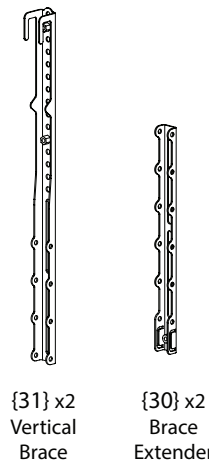
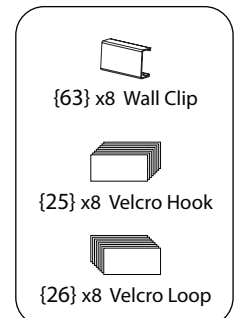
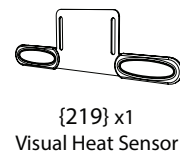
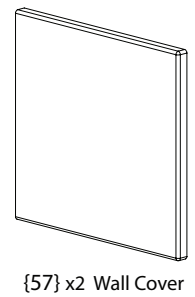
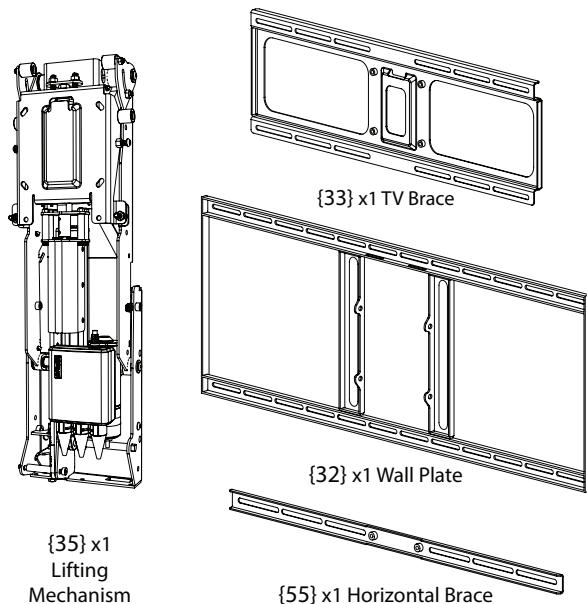
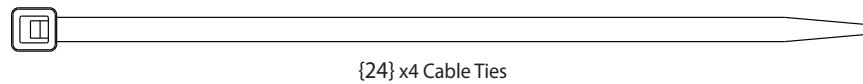
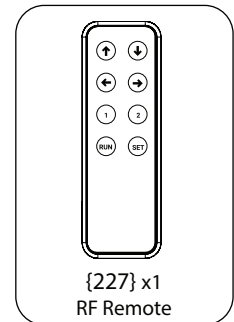
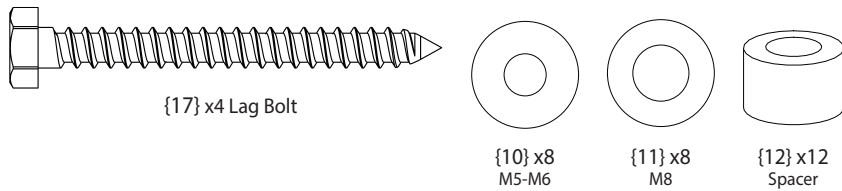
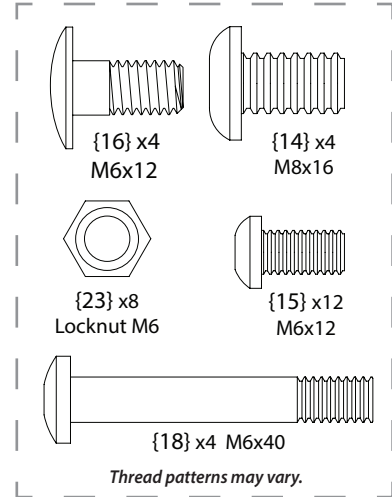
BEFORE INSTALLATION

4 Verify all parts are included.

SILVER SCREWS FOR BACK OF TV

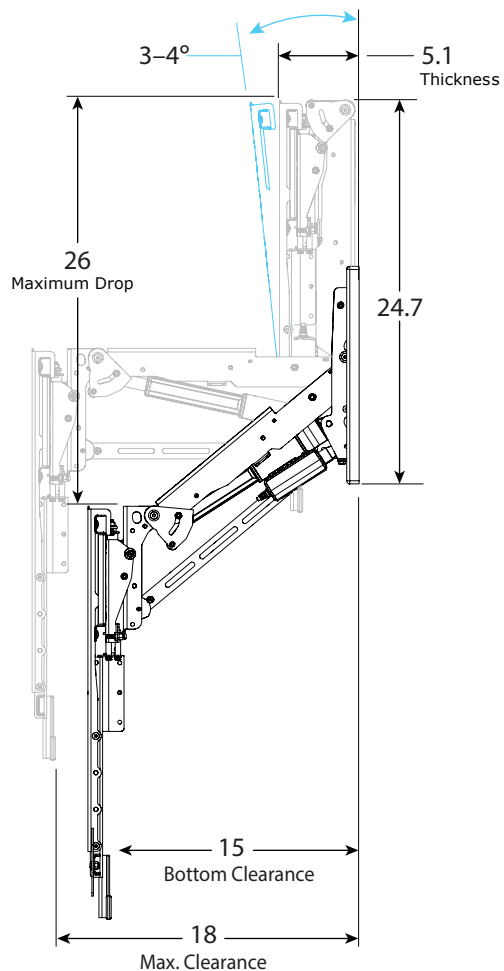
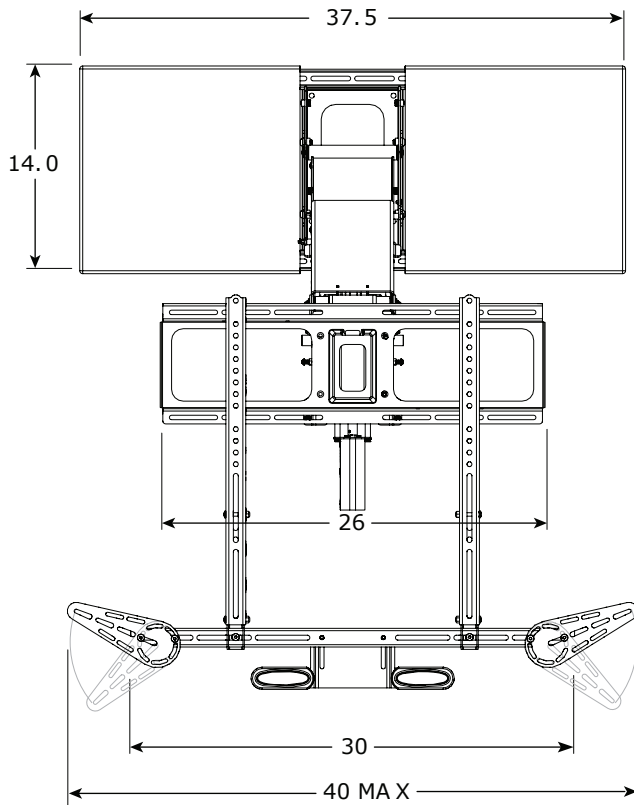


BLACK PARTS FOR MOUNT



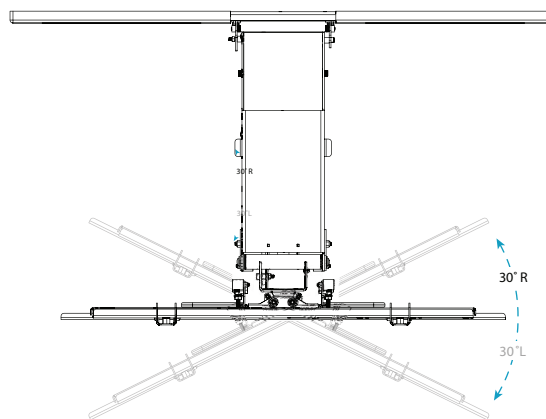
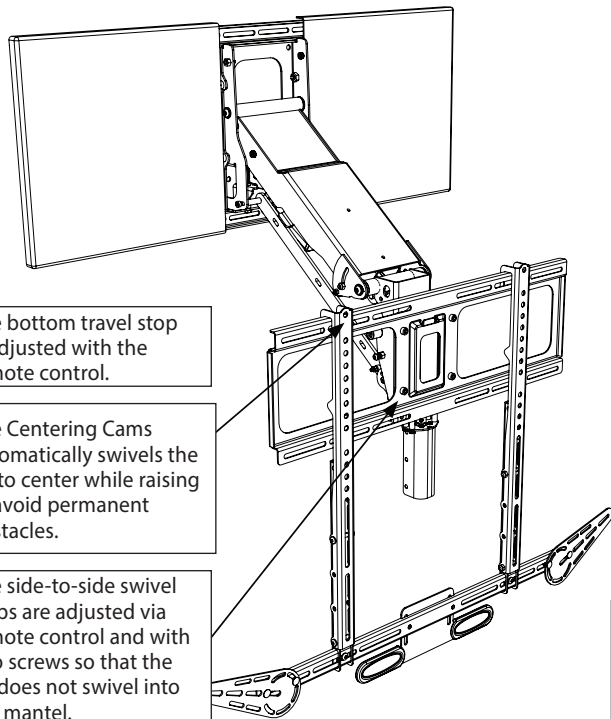
If any parts are missing or damaged, contact Customer Support at 1-800-897-9755 x1 before installing.

MM815 Pull Down TV Mount



MantelMount has three different adjustments that must be made after the installation is complete in order to operate properly.

Note: As the mount lowers, first it tilts down. As it keeps lowering, it normalizes, becoming vertical about 6 inches down.

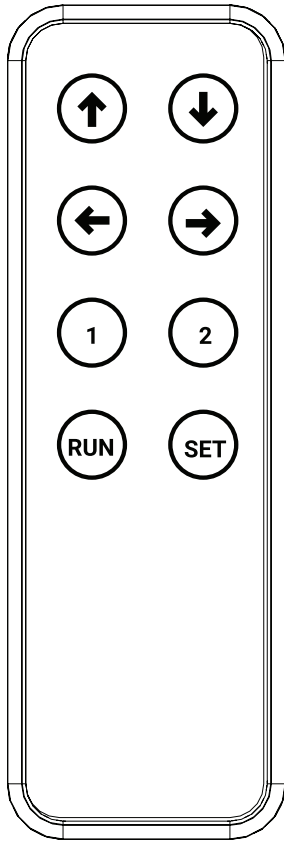


Ask us about our new
* **Recess Box Kit** *
that hides MantelMount
inside the wall !



BEFORE INSTALLATION

1 Learning Your Remote Functions.



Remote Buttons

- ↑ Up Button
- ↓ Down Button
- Swivel Right
- ← Swivel Left
- 1 Memory 1
- 2 Memory 2
- RUN** Run Button
- SET** Set Button

Pairing RF Remote

- Controller should be already paired out of the box.
- Unplug Power to mount for 30 seconds
 - Hold the ↓ button while plugging in power.
 - keep holding ↓ button for 10 seconds

The RF remote requires a CR2032 battery

Quick Note: To return mount to the home position press: Run then ↑ arrow. This will Auto-Swivel and move mount to the topmost position.

Remote Control Buttons

- ↑ Move the mount up to the top most position
 - Hold to drive to position
- ↓ Move the mount down to the bottom most set position
 - Mount cannot be driven lower than set limit
 - Comes set for lowest bottom position
 - Hold to drive to position
- Swivel the mount to the right most set position
 - Mount cannot be driven past set right limit
 - Comes set for 30 degrees of swivel to the right
 - Hold to drive to position
- ← Swivel the mount to the left most set position
 - Mount cannot be driven past set left limit
 - Comes set for 30 degrees of swivel to the left
 - Hold to drive to position

- 1 Move the mount to the set 1 position
 - Mount will drive to this position from either direction
 - Does not come set out of the box
 - Hold to drive to position

- 2 Move the mount to the set 2 position
 - Mount will drive to this position from either direction
 - Does not come set out of the box
 - Hold to drive to position

- Run** Automatically move to the position selected (↑ ↓ → ← 1 2)
- Press Run
 - Press one of (↑ ↓ → ← 1 2) within 3 seconds
 - The mount will move to the limit automatically
 - Press any button to stop movement
 - For Auto-Moving, the mount will first swivel to center position (0 degrees), adjust height, then swivel.

- Set** Used to Set and Clear Positions.

Remote Control Functions

Home Position: To return mount to the home position press: Run then ↑ arrow. This will Auto-Swivel mount to center position and raise mount to the topmost position.

Stop: Press any button to stop movement

Set Memory Position: To Set Positions 1, 2

- Drive the mount to the desired Position
- Press Set
- Press the Memory button (1, 2)

System Reset: If the mount is not working as expected, updates calibration while keeping set limits

- Press Set
- Press Run
- Press/Hold Set
- Mount will move to the top position
- Keep holding for 5 seconds after mount reaches top position

Set Left/Right/Bottom Limit: The Mount will not drive past

- Drive Mount to desired limit
- Press Set
- Press one of (↓ → ←)
- Press/Hold Set for 4 to 8 Seconds
- Check it was correctly done by trying to move the mount past limit

Clearing Any Memory Position: A position does NOT need to be cleared to change it.

- From any Position
- Press Set
- Press button to clear (↓ → ← 1 2)
- Press/Hold Set for at least 11 Seconds

Automatically Move to Position

The mount can be automatically moved to any set position without having to hold the button. To do this, press Run and then the Position Button (↑ ↓ → ← 1 2). To stop movement, simply push any button on the remote.

When Auto-moving, the mount will center the swivel, go to the required height, then swivel to position.

Note: Press each button firmly; a quick tap probably will not work.

MM815 INSTALLATION STEPS

STEP 1 Attach Braces to TV	PAGE 5
STEP 2 Determine Wall Placement	PAGE 8
STEP 3 Attach Mount to Wall	PAGE 11
STEP 4 Attach TV to Mount	PAGE 13
STEP 5 Make Final Adjustments	PAGE 16

⚠ WARNING
Keep children away from the work area during installation. This product contains small parts, please keep out of reach from children.

⚠ WARNING
Do not remove any bolts that hold the Lifting Arm together.

⚠ WARNING
Moving the mount before all limits are set may result in damage. Complete all steps in the manual before using the mount.

⚠ WARNING
Do not let small children pull on or hang from MantelMount.

⚠ WARNING
Pinching and Crushing Hazard: The wall mount actuation is very strong, do NOT run the mount when anyone is near the mount. Do NOT have any part of the body in the mount or between the TV and Wall. The Mount will keep driving until someone pushes another button on the remote to stop it. When working on the mount unplug the power.

⚠ CAUTION
This product is intended to be installed by professional contractors or persons familiar with the tools and methods required for this installation.

If you are uncertain about your ability to perform this installation, please contact a professional.

Do not use this product in any way or for any purpose that is not specifically described in these instructions.

⚠ CAUTION
Do not use this product for purposes not specifically described in these instructions.

MantelMount is not responsible for damage or injury caused by incorrect installation or improper use.

MantelMount is not responsible for damage or injury caused by incorrect installation or improper use.

WARRANTY: MantelMount offers a Lifetime Limited Warranty for all TV mounts and accessories. This Lifetime Limited Warranty covers all mechanical parts but excludes lifetime coverage for gas springs or electrical parts which are warranted for five (5) years from the original purchase price.

Symbols Used in this Manual



CAUTION / WARNING



HELPFUL INFORMATION



DO NOT



SPECIAL NOTE



REQUIRES TWO PEOPLE

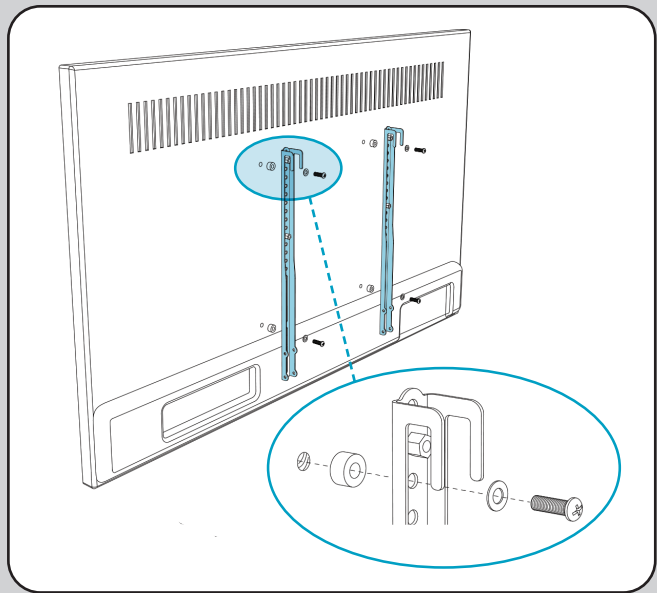
- ▶ **Two people required for parts of this installation.**
- ▶ **Installation Tips & Videos:** <http://mantelmount.com/install-tips>
- ▶ **Questions during installation?** Contact Customer Support:
Monday – Friday, 7am – 4pm PST 1.800.897.9755 x1 or support@mantelmount.com

STEP 1

Attach Braces to TV*

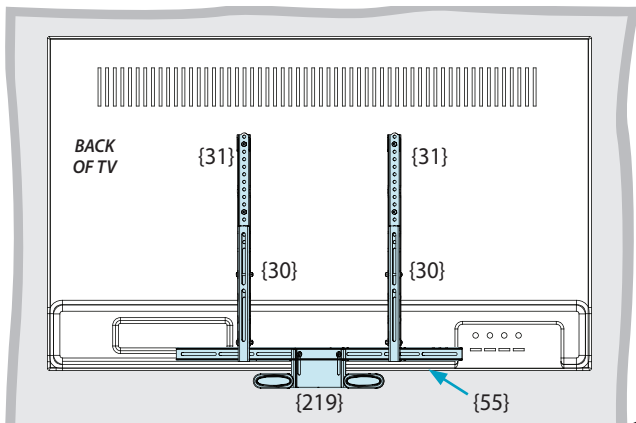
In order for the TV to hide the Mount on the wall, the Braces must be at least 3" higher than the bottom of TV (or Soundbar if one is installed).

If you are using an RB100 Recess Box then they must be 6" higher to hide the Recess Box.



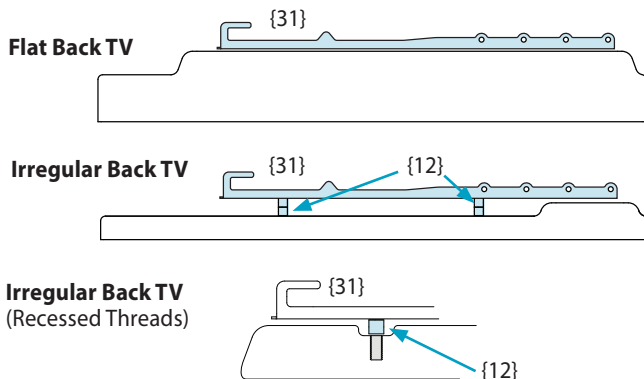
1.1 Test-fit Brace components on back of TV.

Place TV screen-side down on a flat, blanketed surface. Lay out components to check assembly configuration. If installing a sound bar, refer to STEP 1.8.



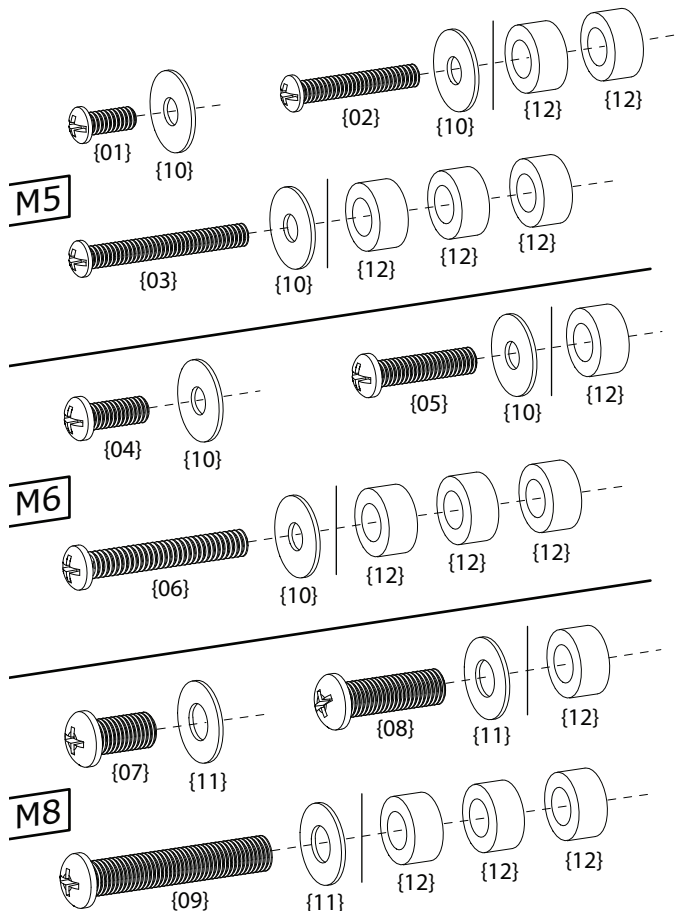
1.2 Determine if TV has a flat or irregular back.

An irregular back will require Spacers {12} and longer Screws to fill spaces between the Vertical Brace {31} and the TV. The Braces must be parallel to television screen.



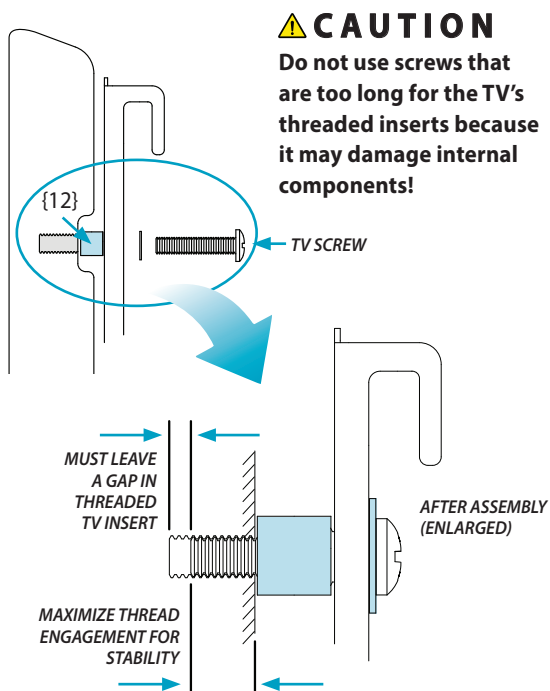
1.3 Select Screws and Spacers.

If Spacers {12} are required, choose one of these Screw combinations shown with maximum Spacer usage.



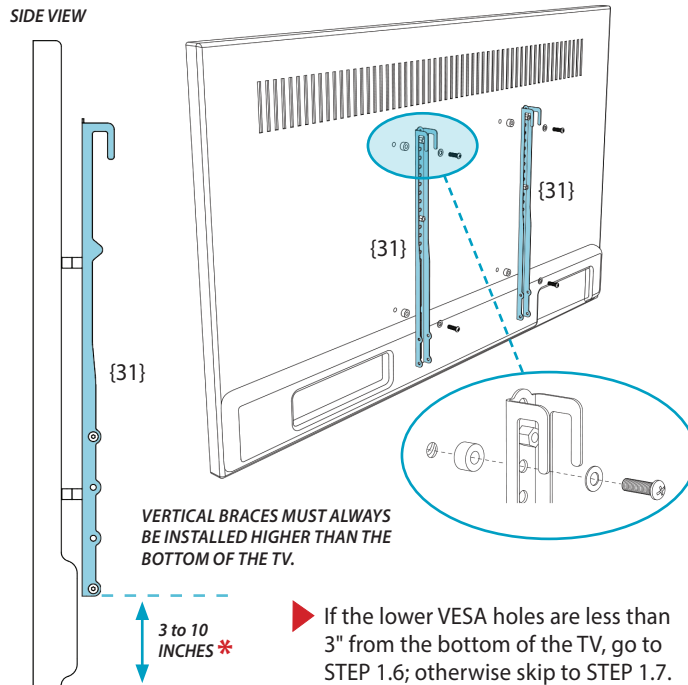
1.4 Hand-thread screw combination into the TV.

Ensure there is adequate thread engagement without hitting the bottom of threaded insert.



1.5 Attach the Vertical Braces to the back of TV.

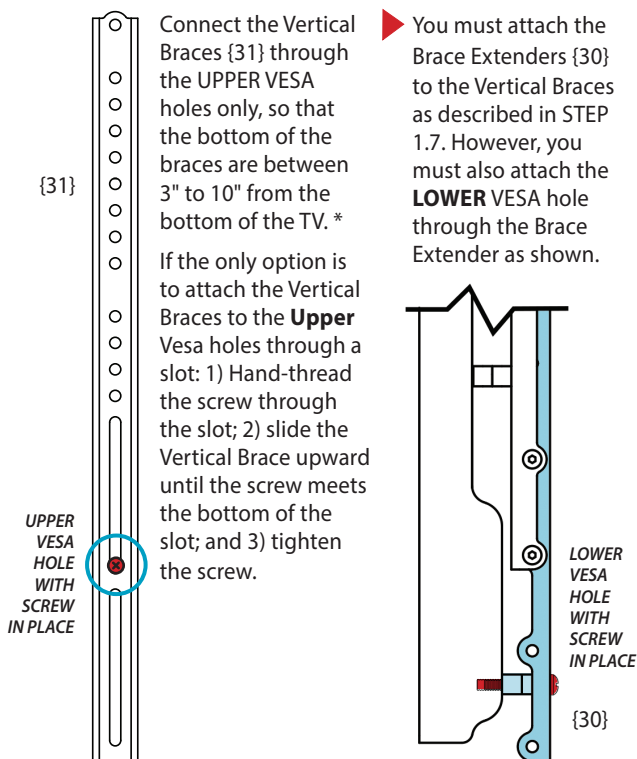
Install the Vertical Braces {31} so that the bottoms of the braces are between 3" to 10" from the bottom of TV, (*or Soundbar if one is installed) centering the braces vertically as much as possible.



**If installing this mount with a MantelMount RB100 Recess Box, the bottom of the Vertical Brace must be 6"-10" from the bottom of TV (or 6" from the bottom of the Soundbar if one is installed).*

1.6 If the lower VESA holes are less than 3" from the bottom of the TV:

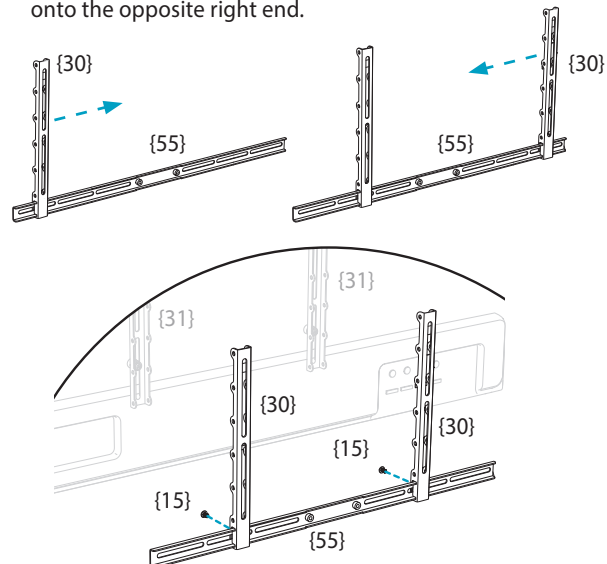
OPTIONAL



**If installing this mount with a MantelMount RB100 Recess Box, the bottom of the Vertical Brace must be 6"-10" from the bottom of TV (or 6" from the bottom of the Soundbar if one is installed)..*

1.7 Attach the Horizontal Brace to Brace Extenders.

Slide one Brace Extender {30} onto the left end of the Horizontal Brace {55}, then slide the other Brace Extender onto the opposite right end.



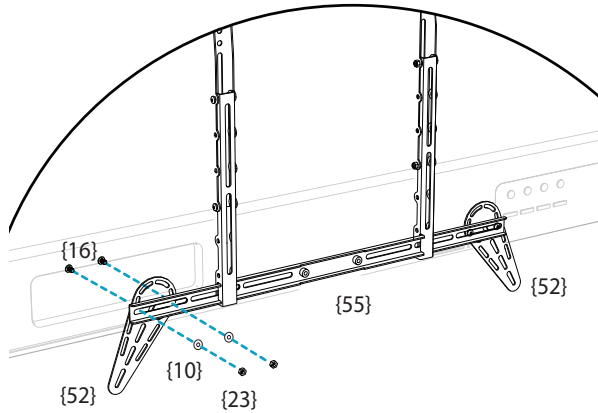
Align the Brace Extenders with the Vertical Braces (that are already mounted to the back of the TV) while positioning the Horizontal Brace so that it extends an equal amount on either side of the Brace Extenders.

Attach Horizontal Brace to Brace Extenders w/Screws {15}.

1.8

OPTIONAL

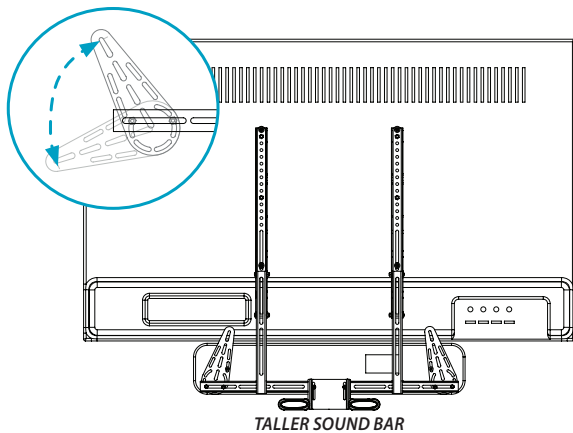
Use Screws {16}, M6 Washers {10}, and Nuts {23} to attach the Sound Bar Wings {52} to the Horizontal Brace {55}. Position the Wings to fit the mounting holes of the sound bar. Install sound bar. See below for Sound Bar Wing installation information.



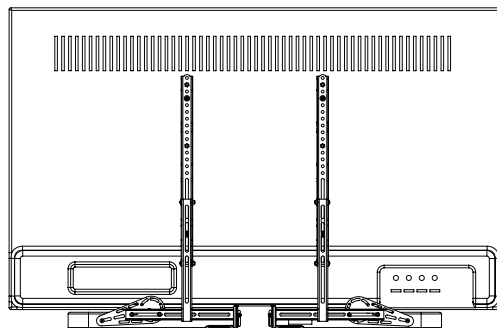
Arrange Sound Bar Wings and sound bar to work with the Visual Heat Sensor.

The Sound Bar Wings may be positioned and rotated so that the Visual Heat Sensor {219} will reach below the sound bar.

For example, if a sound bar is tall, the Brace Extenders {30} and Horizontal Brace can be attached lower down on the Vertical Braces toward the bottom of the sound bar while the Wings point upwards in order to align with the sound bar's installation holes.



TALLER SOUND BAR

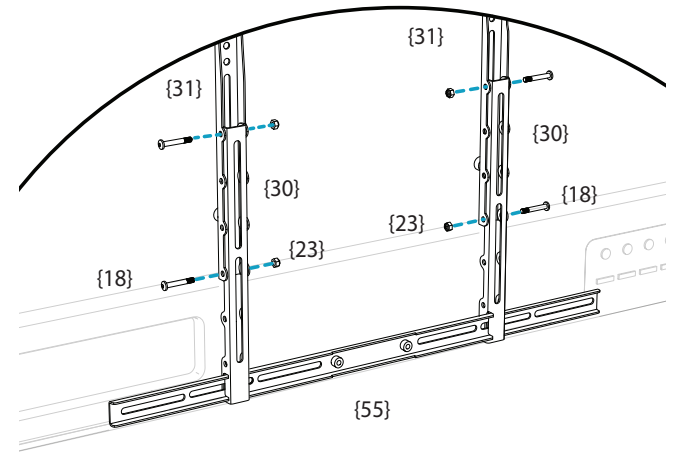


WIDER SOUND BAR

1.9

Attach Brace Extenders to the Vertical Braces.

Slide the Brace Extenders {30} (with the Horizontal Brace {55} now attached to them) onto the Vertical Braces {31}. Position it so that the Horizontal Brace will be hidden by the TV. Use Screws {18} and Nuts {23} to attach.

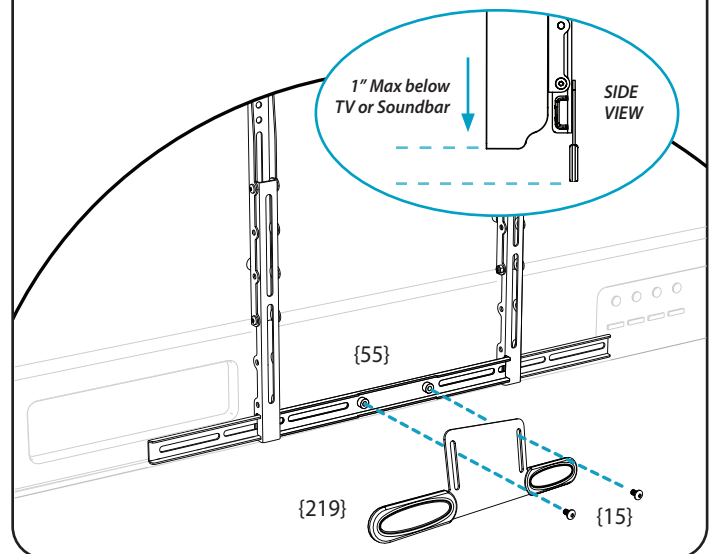


1.10

Attach Visual Heat Sensor to the Horizontal Brace.

Attach the Visual Heat Sensor {219} with Screws {15} to the Horizontal Brace {55}. Set the height so the Visual Heat Sensor is as visible as desired.

Note: If using the minimum height from chart in Step 2.2, keep the exposed heat sensor pad no more than 1" below the TV or soundbar. When first moving the mount down ensure the visual heat sensor clears the mantel.

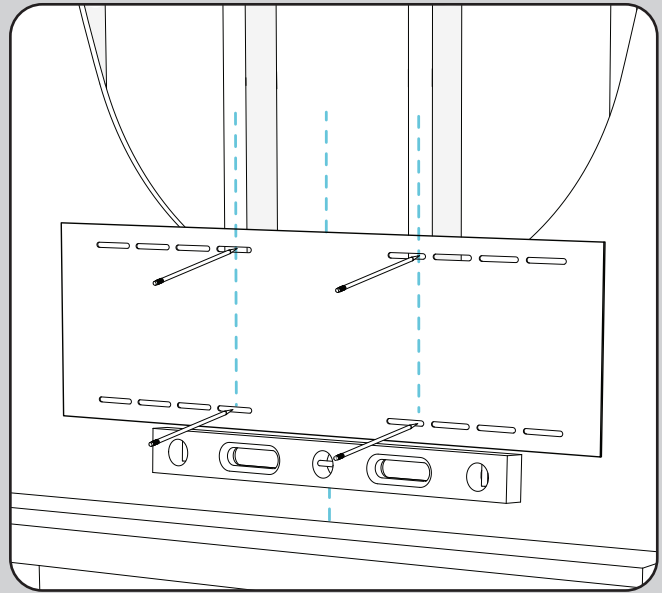


Protect the TV with the Visual Heat Sensor.

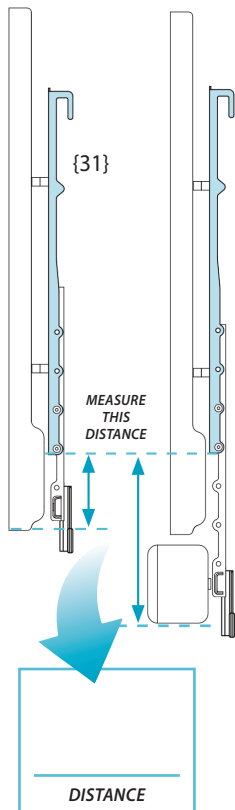
The Visual Heat Sensor turns red if the temperature above the fireplace exceeds a safe 110° F – a visual cue that either the TV needs to be raised to the UP position or the fireplace needs to be turned off.

STEP 2

Determine Wall Placement



2.1 Measure the distance from the bottom of the Vertical Braces {31} (not the Extenders) to the bottom of the TV/ sound bar.*

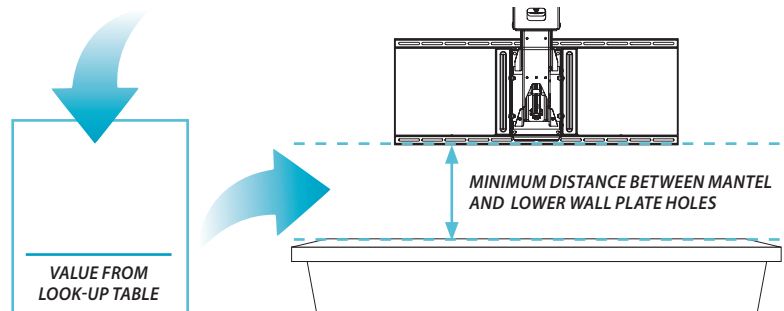


*If installing this mount with a MantelMount RB100 Recess Box, the bottom of the Vertical Brace must be 6"-10" from the bottom of TV (or 6" from the bottom of the Soundbar if one is installed).

2.2 Determine the minimum vertical position of the Wall Plate.

Use the Look-up Table below to find the minimum distance between the mantel and the bottom of the lower Wall Plate {32}. This will be the intersection of the distance from STEP 2.1 and the mantel depth. Write the minimum distance in the box below.

DISTANCE FROM 2.1	DEPTH OF MANTEL								
	8" OR LESS	9"	10"	11"	12"	13"	14"	15"	16"
3"	3.50	3.75	4.00	4.75	5.50	6.50	7.75	9.25	11.50
4"	4.50	4.75	5.00	5.75	6.50	7.50	8.75	10.30	12.50
5"	5.50"	5.75	6.00	6.75	7.50	8.50	9.75	11.30	13.50
6"	6.50"	6.75	7.00	7.75	8.50	9.50	10.80	12.30	14.50
7"	7.50"	7.75	8.00	8.75	9.50	10.50	11.80	13.30	15.50
8"	8.50"	8.75	9.00	9.75	10.50	11.50	12.80	14.30	16.50
9"	9.50"	9.75	10.00	10.80	11.50	12.50	13.80	15.30	17.50
10"	10.50"	10.75	11.00	11.80	12.50	13.50	14.80	16.30	18.50



► Most customers want their TV mounted as close to the mantel as possible. If this describes you, go directly to STEP 2.4.

However, if you want the TV higher on the wall (such as centered between the mantel and ceiling) e.g. for extra space on the mantel for pictures or a center speaker, continue to STEP 2.3.

2.3

Determine a higher vertical position of the Wall Plate.

OPTIONAL

Some customers want the TV centered between the mantel and the ceiling or crown molding. Others want enough space below the TV for pictures or a center speaker.

The TV's position on the wall is directly related to the placement of the lower Wall Plate. To determine exactly where to place the lower Wall Plate, choose an option below that best describes your scenario and fill in the boxes.

► **NOTE: Distance "E" below must always be at least the minimum distance in STEP 2.2**

Option 1: I want the TV centered between the mantel and ceiling/crown molding.

1. Record measurements already taken:

Wall Space Height (from pg. 2)

TV Height (from pg. 2)

Distance from STEP 2.1 (from pg. 8)

2. Subtract the TV Height (B) from the Wall Space Height (A), then divide by 2.

$$\frac{(A) - (B)}{2} = \text{$$

3. Add (C) and (D) to determine how many inches above the mantel to place the **lower** Wall Plate holes.

$$(C) + (D) = \text{$$

OR

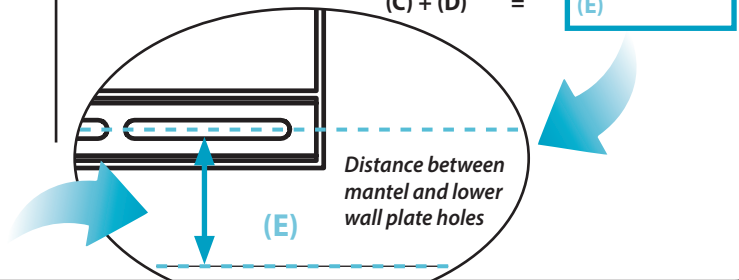
Option 2: I want the TV a specific distance above the mantel.

1. Record distance from STEP 2.1 (from pg. 8)

2. Write the specific number of inches you want between the mantel and the TV (or TV with sound bar):

3. Add (C) and (D) to determine how many inches above the mantel to place the **lower** Wall Plate holes.

$$(C) + (D) = \text{$$



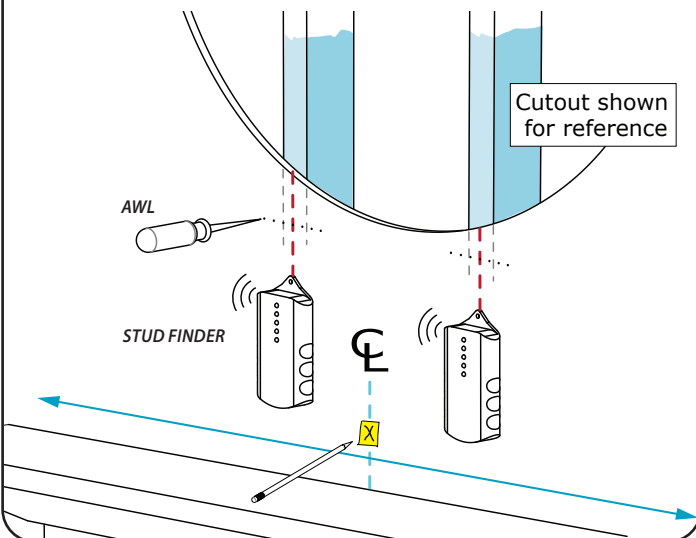
2.4

Find the center of your mantel and the centers of two studs.

Measure and mark the center line of the mantel onto the wall with tape.

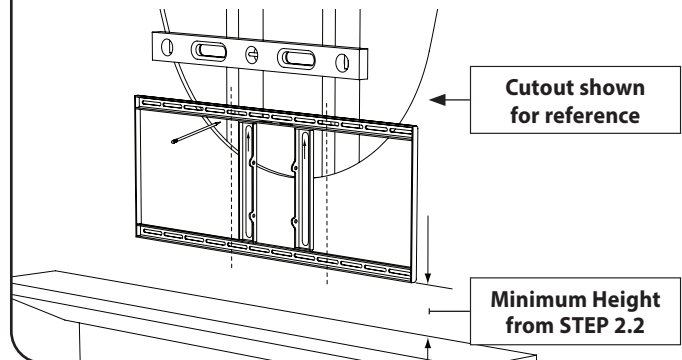
Next, use a stud finder to locate two studs, one on each side of the centerline. (If you prefer to use one center stud alone, see "Mount Space" in the Troubleshooting Tips on page 22.)

Then, at the height from either Step 2.2 or 2.3, locate the center of the stud(s) by poking a sharp awl or finish nail through the drywall to find each stud edge. Mark these center spots on the wall. Lag Bolts must be installed into the CENTER of the studs in STEP 3.1.



2.5

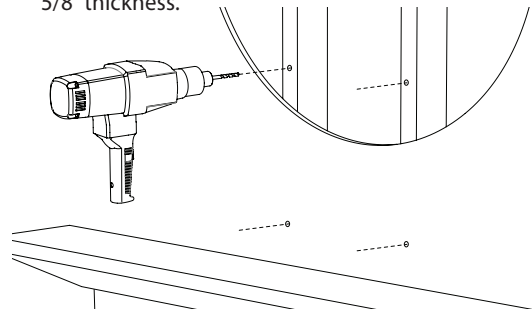
the arrows on the Wall Plate {32} pointing upward. Center level the plate above the mantle and position the height using the table in STEP 2.2. Mark the 4 spots for lag bolts directly on center of the studs.



2.6

Pre-drill the 4 holes with 7/32" drill bit to a depth of 2.5 inches (65mm) including wall covering.

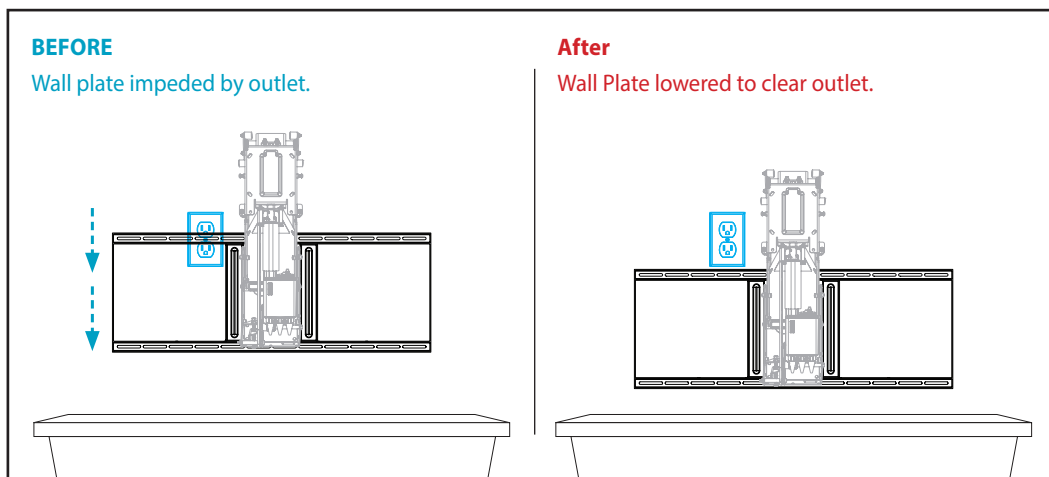
► Note: Wall covering (drywall) must not exceed 5/8" thickness.



If necessary, move Wall Plates to clear an outlet.

If a Wall Plate installation is impeded by an electrical outlet (or other) and professionally relocating the outlet is impossible, try one of these two options:

Move Wall Plates up or down to clear the outlet. As long as you don't place the LOWER Wall Plate below the Minimum Distance (Step 2.2) or above the Maximum Distance (step 2.3), MantelMount will still function properly.

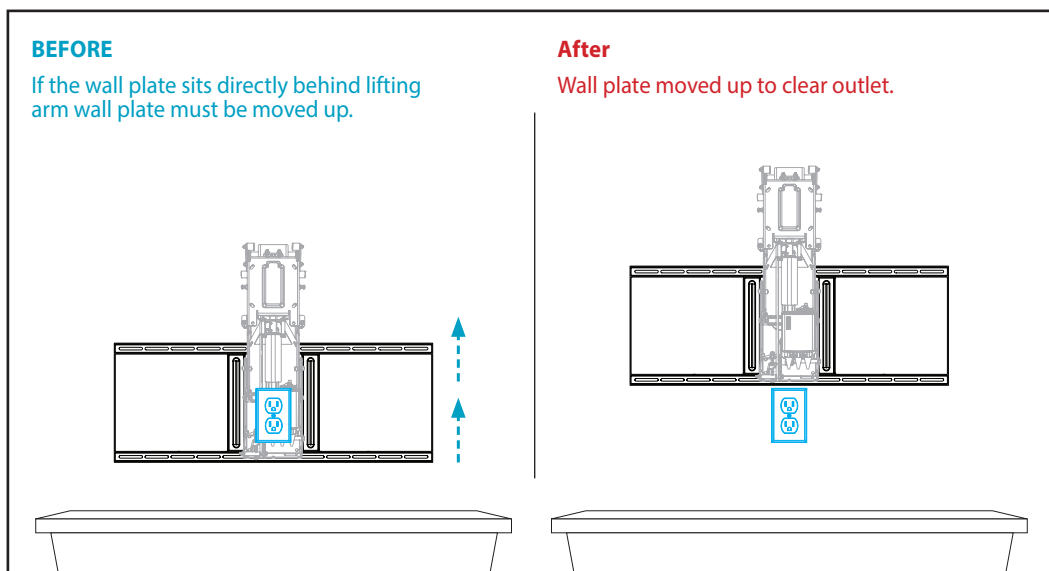


Simply move the Wall Plates up or down enough to clear the outlet, leaving them as close as possible to the originally planned vertical positions.

IMPORTANT: You must now move the Vertical Braces {31} on the back of the TV using the same number of inches used to move the Wall Plates (e.g., move the Vertical Braces down 2" if the Wall Plates were moved down by 2"). The bottom of the Vertical Braces must remain between 3 to 10 inches from the bottom of the TV.

OPTIONAL: If you prefer to drill an access hole in your wall plate cover, the outlet may be placed within the footprint of the wall plate.

► **NOTE:** If outlet is directly behind the Lifting Arm, the only solution is to move the Wall Plates up.

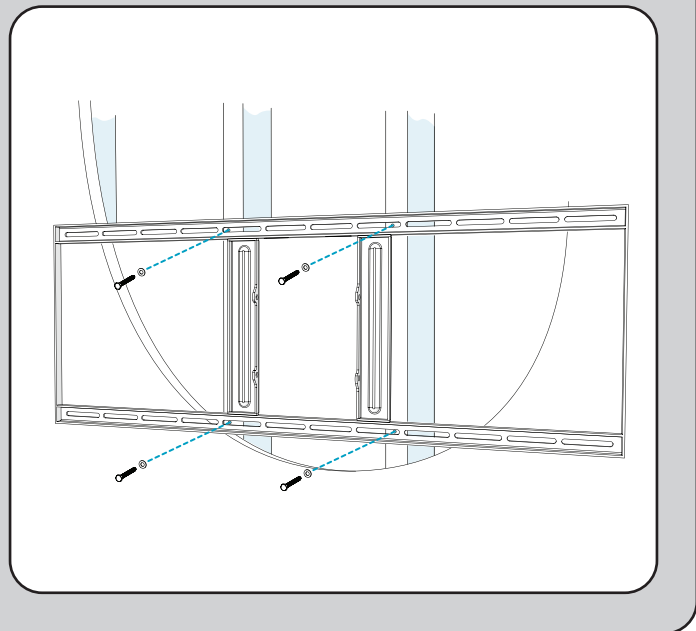


Move the Wall Plates up enough to clear the outlet, leaving them as close as possible to the originally planned vertical positions.

IMPORTANT: You must now move the Vertical Braces {31} on the back of the TV using the same number of inches used to move the Wall Plates (e.g., move the Vertical Braces up 2" if the Wall Plates were moved up by 2"). The bottom of the Vertical Braces must remain between 3 to 10 inches from the bottom of the TV.

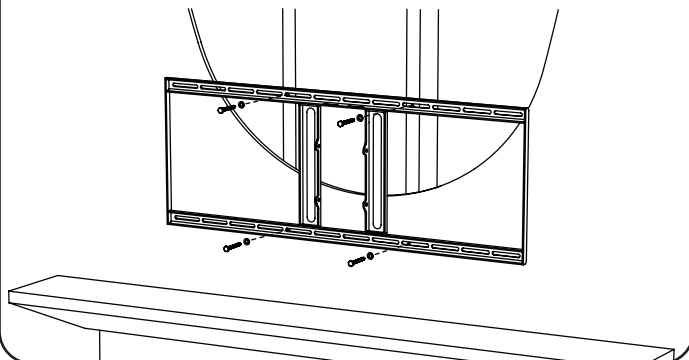
STEP 3

Attach Mount to Wall



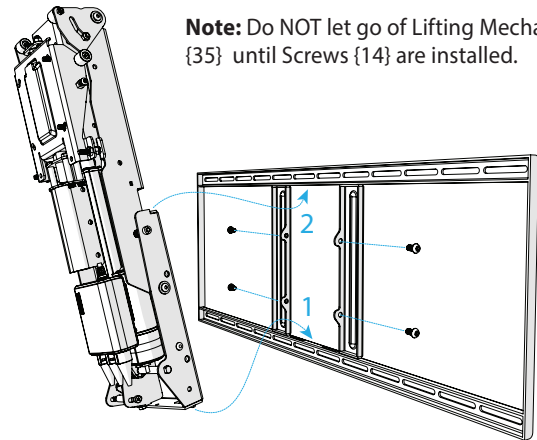
3.1 Attach the Wall Plate {32} with arrows up, using Lag Bolts {17} and Washers {11} directly into the centers of the studs. With a 13mm wrench.

⚠ CAUTION: Do Not overtighten Lag Bolts {17}. Tighten only until the washers are firmly against the wall plate. Damage due to overtightening can cause property damage or injury.



3.2 Insert bottom tabs of Lifting Mechanism {35} into the slots of Wall Plate {32} then slide the top into position. Align all four holes and install Screws {14}. Tighten Securely.

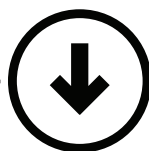
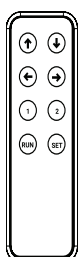
Note: Do NOT let go of Lifting Mechanism {35} until Screws {14} are installed.



3.3 **Power up the mount.** Plug Power Supply into mount then into wall socket. The TV remote should work out of the box. Move Mount Down 2 Inches by holding ↓. If TV remote does not work it needs to be paired.

To Pair Remote:

1. Unplug Power to mount for 30 seconds
2. Hold the (DOWN) button while plugging in power
3. Keep holding (DOWN) button for around 10 seconds until mount moves down



Press and hold DOWN button for 10 seconds.

3.4 **Run System Reset** – System reset ensures software is running correctly. Press Set. Press Run. Press/Hold Set. Mount will move to the top position. Keep holding for 5 seconds after mount reaches top position.



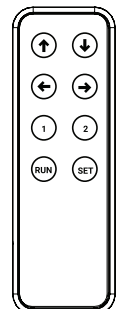
Press



Press



Press and hold.



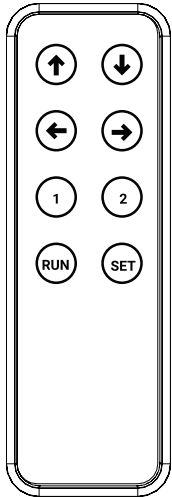


3.5

Programming Bottom Stop

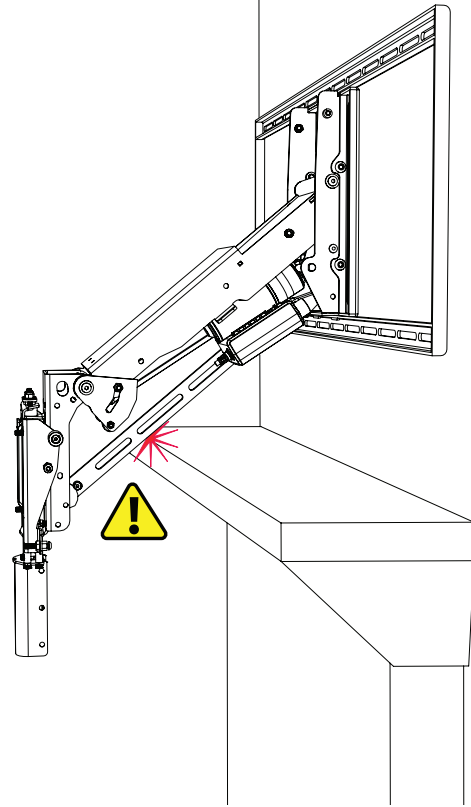
Warning: Damage will occur if the Mount can drive down into something, the bottom stop needs to be set.

If the mount would hit the Mantel or some other object in the bottom position. You can easily reduce the bottom most (↓) position so that the mount cannot move past that point.



1. Drive mount to the desired Bottom-most Position by holding ↓
2. Do **NOT** allow the mount to run into anything
3. Press Set
4. Press ↓
5. Press/Hold Set for 4 to 8 Seconds
6. Check it was correctly done by trying to move the mount down farther

Note: To delete the bottom stop follow steps 3 to 6 but hold the set button for more than 10 seconds in step 5.



3.6

Swivel Safety Clutch

The Swivel on the mount has a friction clutch that automatically disengages to avoid damage if the mount swivels into something, or someone swivels the mount manually. If that happens the swivel will be out of position and the swivel will not work as expected. The swivel needs to be recalibrated right away to avoid damage.

To recalibrate Auto-move the mount to the top position:

Press Run

Press ↑ within 3 seconds

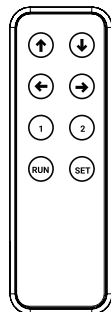
The mount will automatically move to the top position and recalibrate. You can also run Reset Function to recalibrate.



Press



Press within 3 Seconds

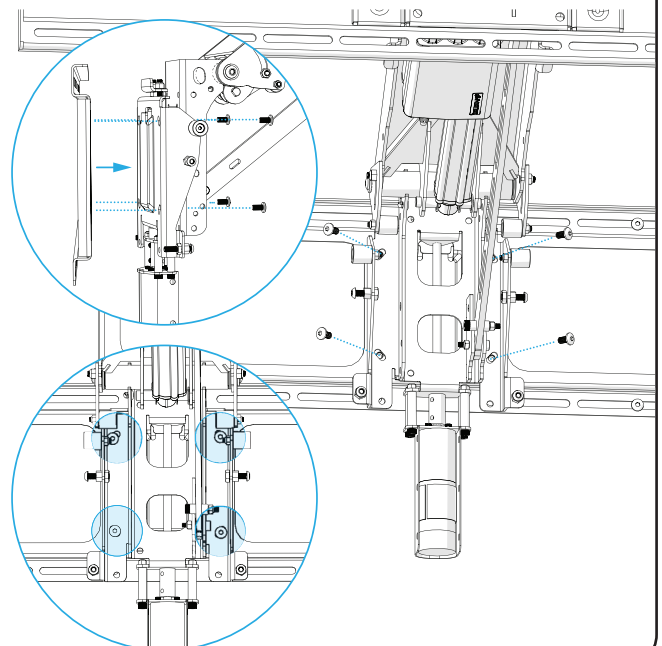


Note: If clutch is engaged the mount may swivel a little when coming down, to fix this; manually center mount at zero degree swivel by rotating TV with hands and over-riding clutch. Mount is at zero degrees swivel after you recalibrate (drive the mount to the top position), then move the mount straight down.

3.7

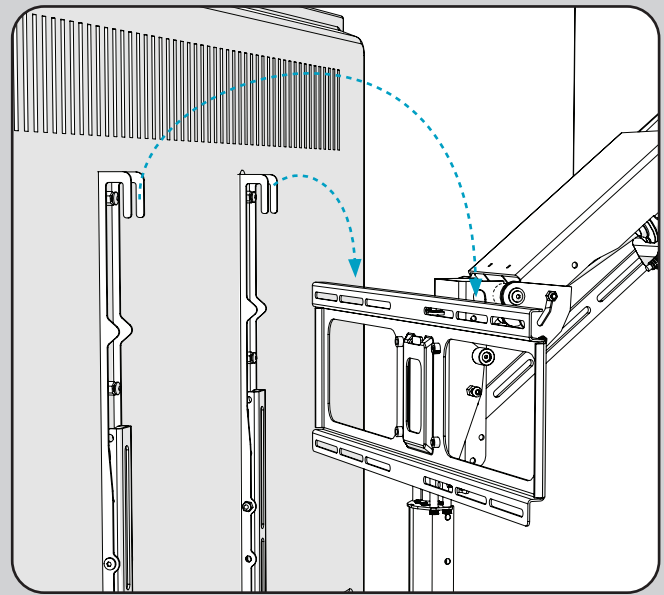
Attach the TV Brace {33} to the lifting arm {35}. Manually Swiveling the Swivel Plate will make accessing the screw holes easier. Level the TV Brace and tighten the 4 screws {15}.

► **NOTE:** After TV is mounted to bracket you may need to adjust these screws to make final Post-Leveling adjustments (Step 5.6).



STEP 4

Attach TV to Mount



NOTE: These Next Steps Will Require Two People

4.1

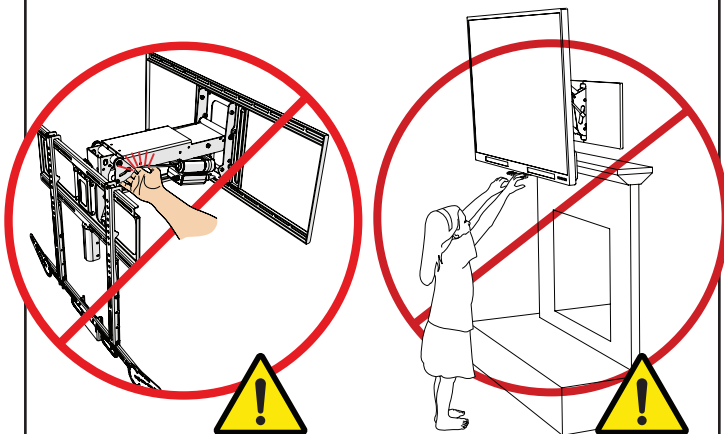
⚠ WARNING!

Do Not put hands into Lifting Mechanism. The power of the Lifting Mechanism can cause bodily injury!

⚠ Pinching and Crushing Hazard.

The wall mount actuation is very strong, do NOT run the mount when anyone is near the mount. Do NOT have any part of the body in the mount or between the TV and Wall. The Mount will keep driving until someone pushes another button on the remote to stop it. When working on the mount unplug the power.

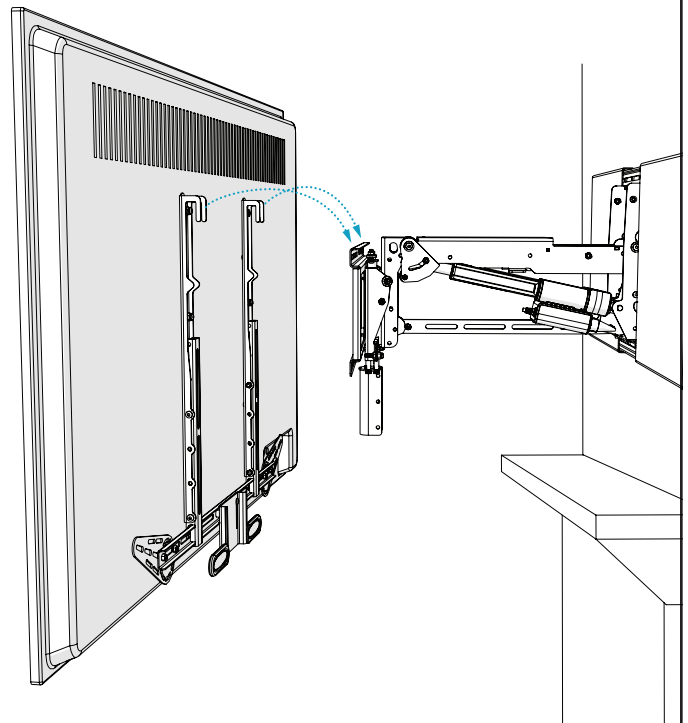
Never allow small children to play around or operate the MantelMount. Property damage or personal injury can occur.



4.2

This step requires two people.

Carefully hang the Television onto the TV Brace making sure that both hooks on the Vertical Braces {31} engage the TV Brace {33}.

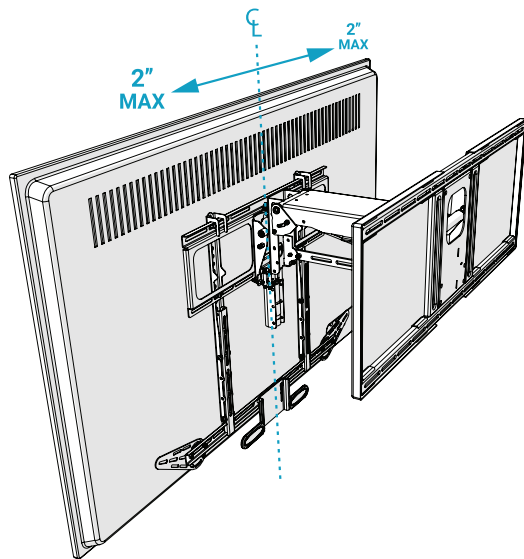


4.3

Center the TV on the TV Frame and check it with a level. Carefully slide the TV sideways, if required, until it is balanced and horizontal, up to a **MAXIMUM OF 2 INCHES** left or right.

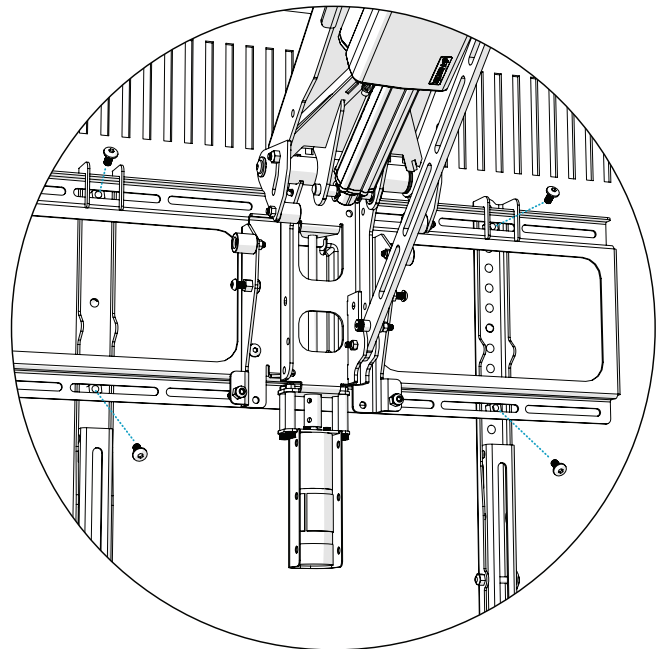
The TV would only need to be moved off-center if it has an unbalanced weight. These are usually older, heavier TVs.

If the TV needs to be moved sideways and is visually too much off-center above the mantel, remove the TV and relocate the Wall Plate {32} an equal distance but in the opposite direction of the TV to compensate.



4.4

Install 4 Screws {15} through the TV Brace {33} and into the Vertical Braces {31}.

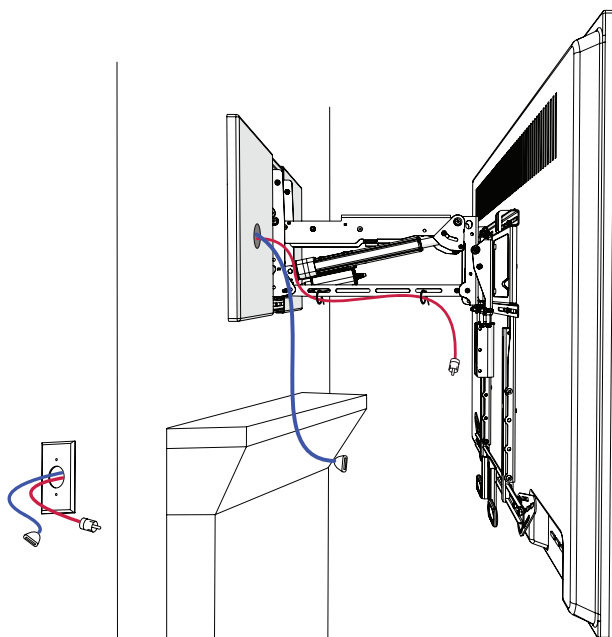


4.5

Attach cable ties to lower arm.

Shown below is the easiest way to attach cables. Use the included Cable Ties {24} to attach cables so they attach to the underside of the Lower Arm, making a gentle loop.

Cables should be long enough to accommodate the extension and swivel of MantelMount. Check all ranges of motion before tightening the Cable Ties.



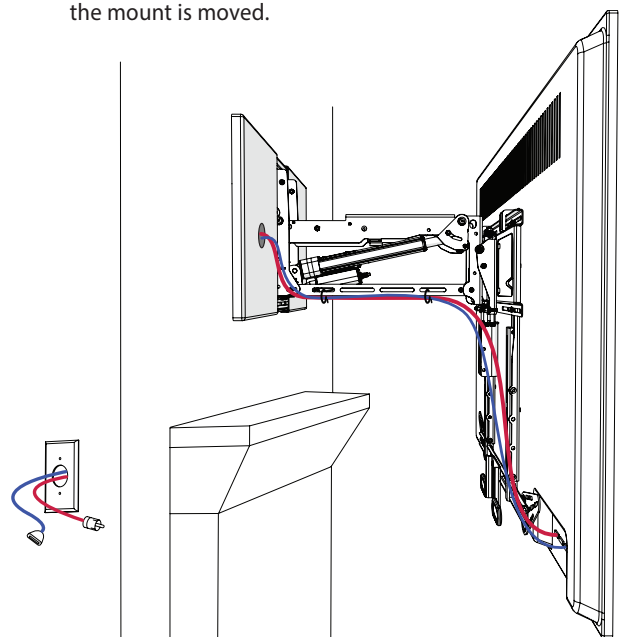
4.6

Attach the electrical and signal cables to the TV.

Run signal cables through open loop. Give each segment of the cables extra length so that they are not stressed or kinked when the mount moves.

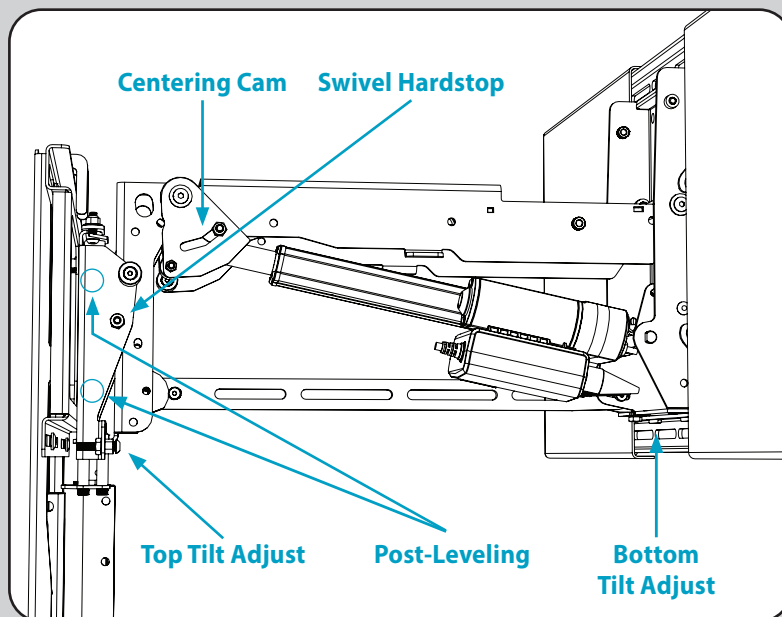
Ensure that cables do not get pinched within the Lifting Arm when the TV is raised.

▶ **Reference Only:** This is one possible configuration for the signal cables. Each segment of the cables has extra length so that the cables are not stressed or kinked when the mount is moved.



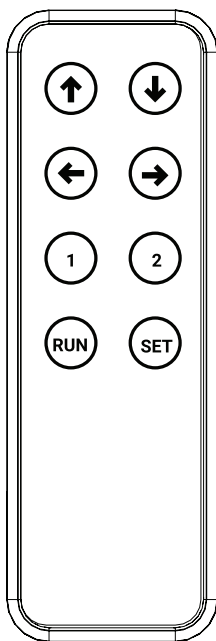
STEP 5

Make Final Adjustments



5.1 Programming Left/Right Stop

If the mount would swivel into the Mantel or some other object in the bottom position. You can easily reduce the right and left swivel limits so that the mount cannot move past them.

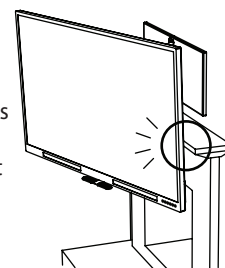


1. Press Run then **↑** to calibrate (Mount should move all of the way to the Top Position).
2. Drive mount to the Bottom Position
3. Press and hold **←** or **→** to swivel mount as far as wanted
4. Press Set.
5. Press **→** or **←**.
6. Press/Hold Set for 4 to 8 Seconds.
7. Check it was correctly done by trying to move the mount past set swivel.

Note: To delete the swivel soft stop follow steps 3 to 6 but hold the set button for more than 10 seconds in step 6

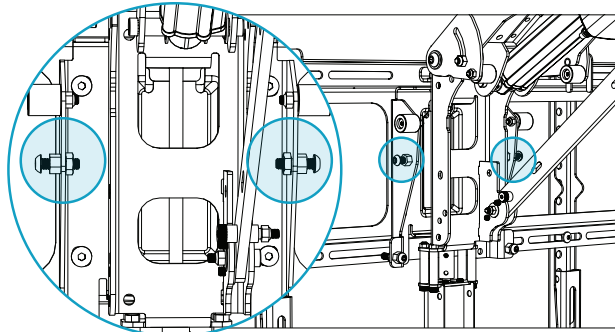
5.2 Adjust the Side Swivel Stop positions, if necessary.

To keep the TV from bumping the mantel or wall, loosen the Locknuts {23} and adjust the Swivel Stop Screws to the desired stopping left and right positions. Tighten both Locknuts after the adjustments are made. Mechanical Swivel Stops should be just past the programmed swivel stop



- ▶ If a small amount or no swivel is desired, it may be necessary to remove the Screw and/or Locknuts and reattach them on the other side of the Swivel Bracket.

NOTE: To better access swivel stop adjustments screws swivel the mount to the left or right to gain better access.



5.3 Centering Cam Adjustment.

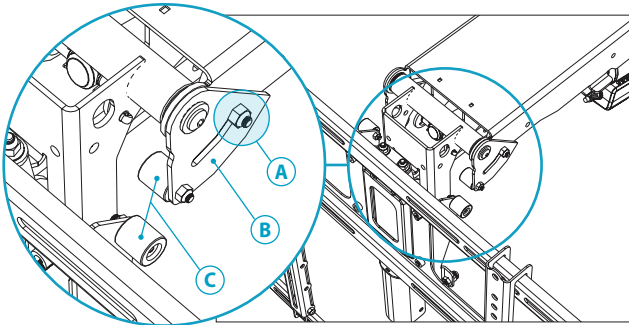
The Centering Cam automatically swivels the TV to center while raising to avoid permanent obstacles.

Out of the Box they are set for max protection, to get more possible swivel follow below steps.

Warning: ensure Cams are set to avoid damage.

Steps to Set Cam:

1. Move TV to Out Position.
2. Swivel TV so that it is near the wall or mantel.
3. Swing Centering Cam forward until Cam Rollers Contact.
4. Tighten Cam Nut.
5. Repeat on other side.
6. Swivel the TV and Hold the UP button to ensure it is set so that the TV can swivel as much as possible in either direction without it hitting.

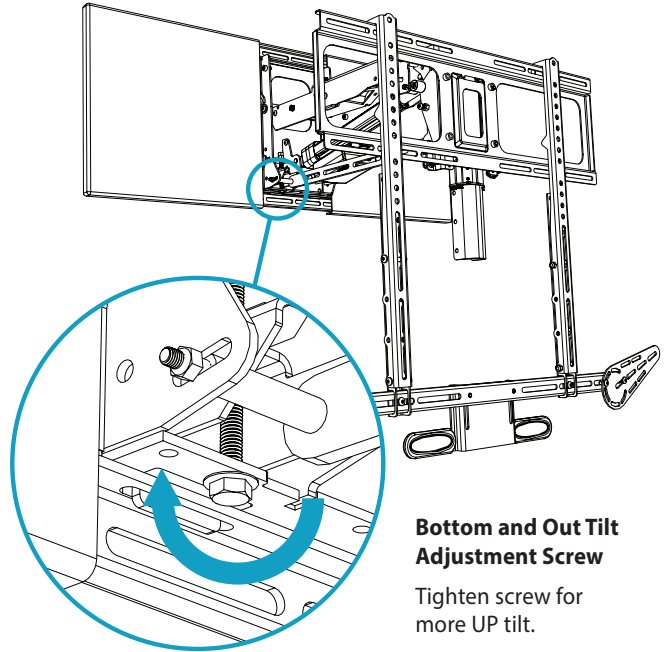


A.) Cam Nut B.) Centering Cam C.) Cam Contact Rollers

5.4 Bottom and Out Tilt Adjustment.

To adjust the tilt in all positions besides the Top Position.

1. Adjust Tilt Adjustment Screw with a 10mm Wrench.
 - Tighten (Clockwise) to tilt TV up
 - Loosen (Counterclockwise) to tilt TV down



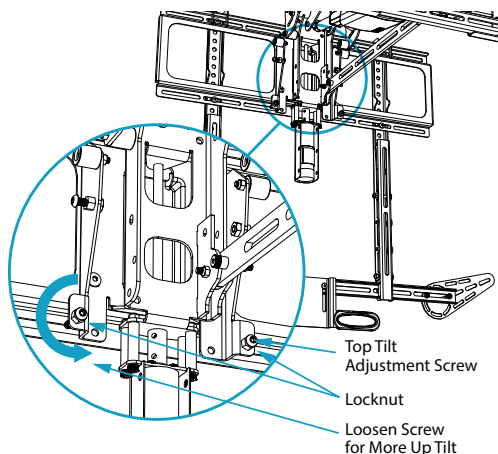
Bottom and Out Tilt Adjustment Screw

Tighten screw for more UP tilt.

5.5 Top Position Tilt Fine Adjustment

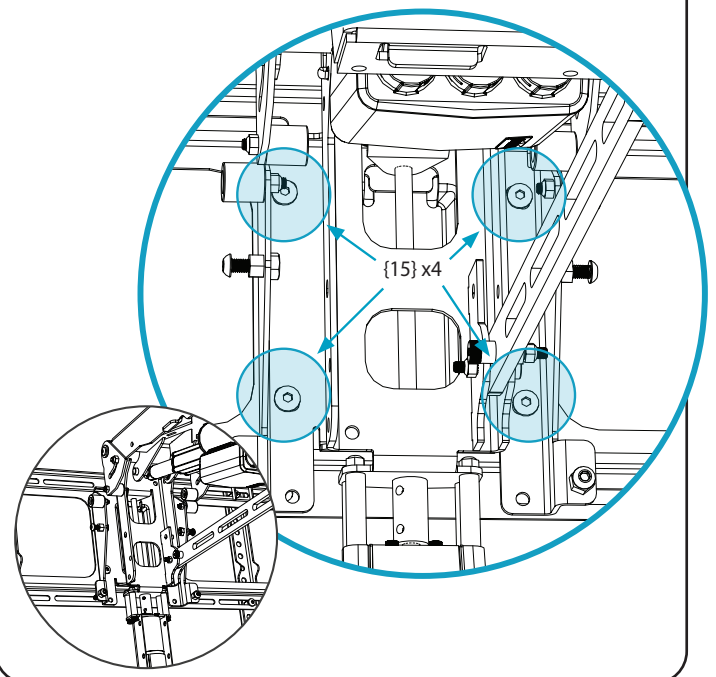
TV Tilt in the Top Position can be fine tuned:

1. Drive the Mount to the Topmost Position to check Tilt
2. Drive the Mount down to Access Adjustment Screws
3. Adjustments must be done the same on each side of the mount
4. Loosen the Lock Nuts
5. Adjust Tilt Adjustment Screws
6. Tighten (Clockwise) to tilt TV down
7. Loosen (Counterclockwise) to tilt TV up
8. Check the settings are the same on both sides
9. Drive Mount to Topmost Position to check Tilt
10. Repeat steps 2-9 until satisfied
11. Tighten Lock Nuts



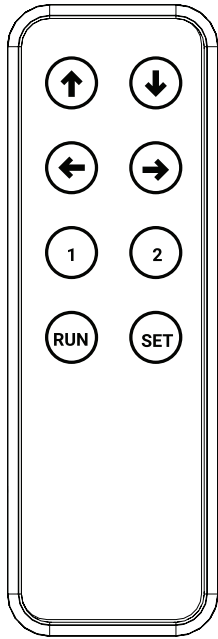
5.6 Make Post-Leveling adjustments, if necessary.

Place a level on top of the TV while it's in the UP position. If it's level, the installation is complete! If not, slightly loosen all four Leveling Screws {15} and rotate the TV until it's level and then tighten all the Screws.



5.7 Set Memory Position

To Set Positions 1, 2. There are 2 settable Positions which can be set.



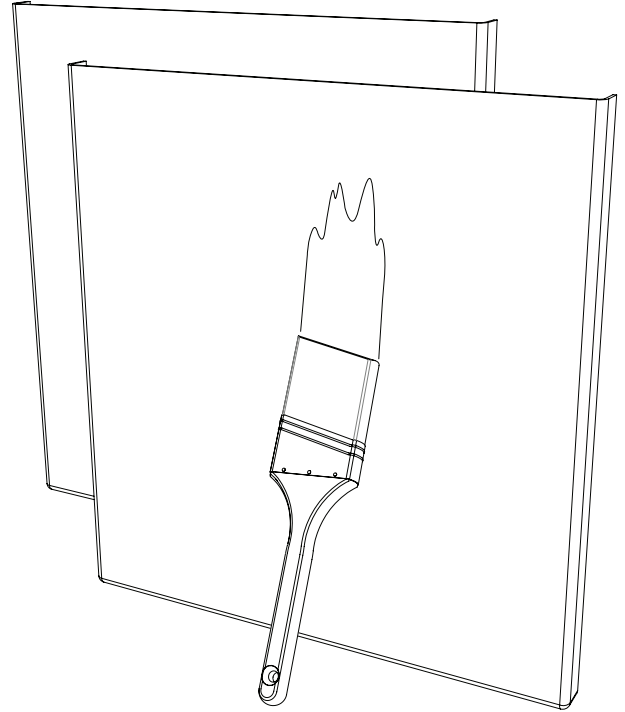
1. Drive the mount to the desired Position.
2. Press Set
3. Press the Memory (Button 1 or 2) Button within 3 seconds

Quick Note:

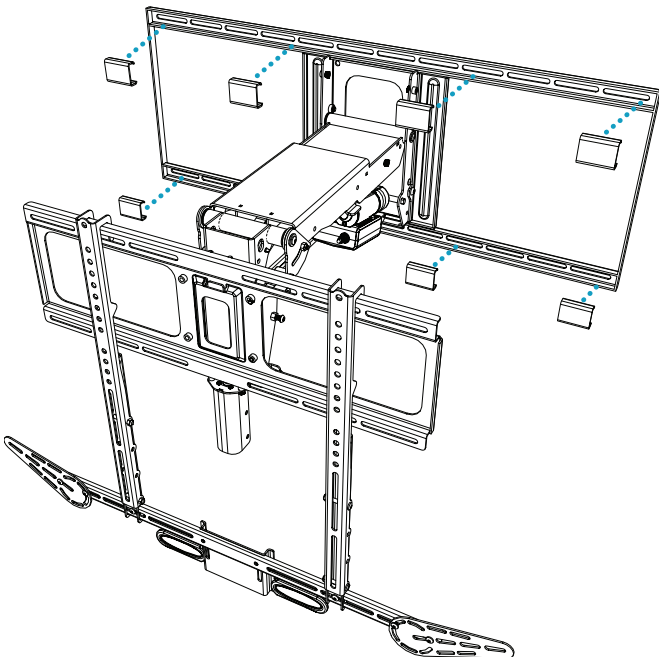
To return mount to the home position press: **Run** then **↑** arrow.

This will Auto-Swivel and move mount to the topmost position.

5.8 Paint the Wall Covers {29} if desired.



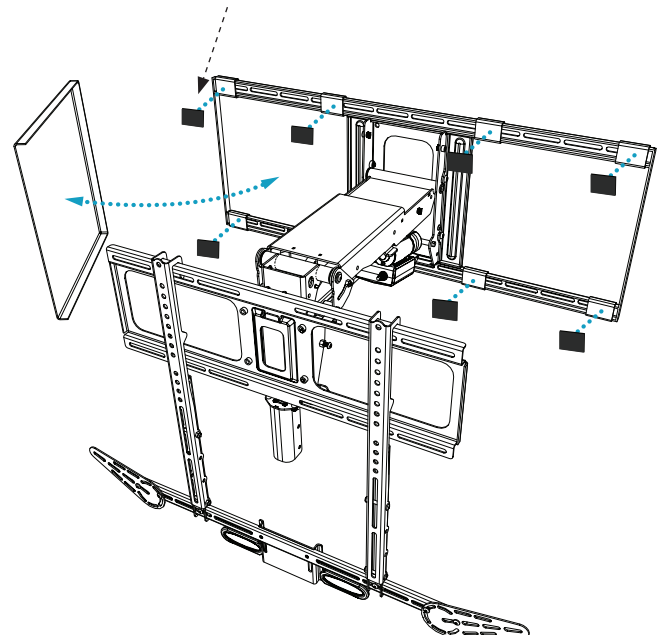
5.9 Attach the eight Wall Cover Clips to the wall frame as shown below. These will be used to attach the adhesive Velcro strips that hold the wall covers to the wall frame.

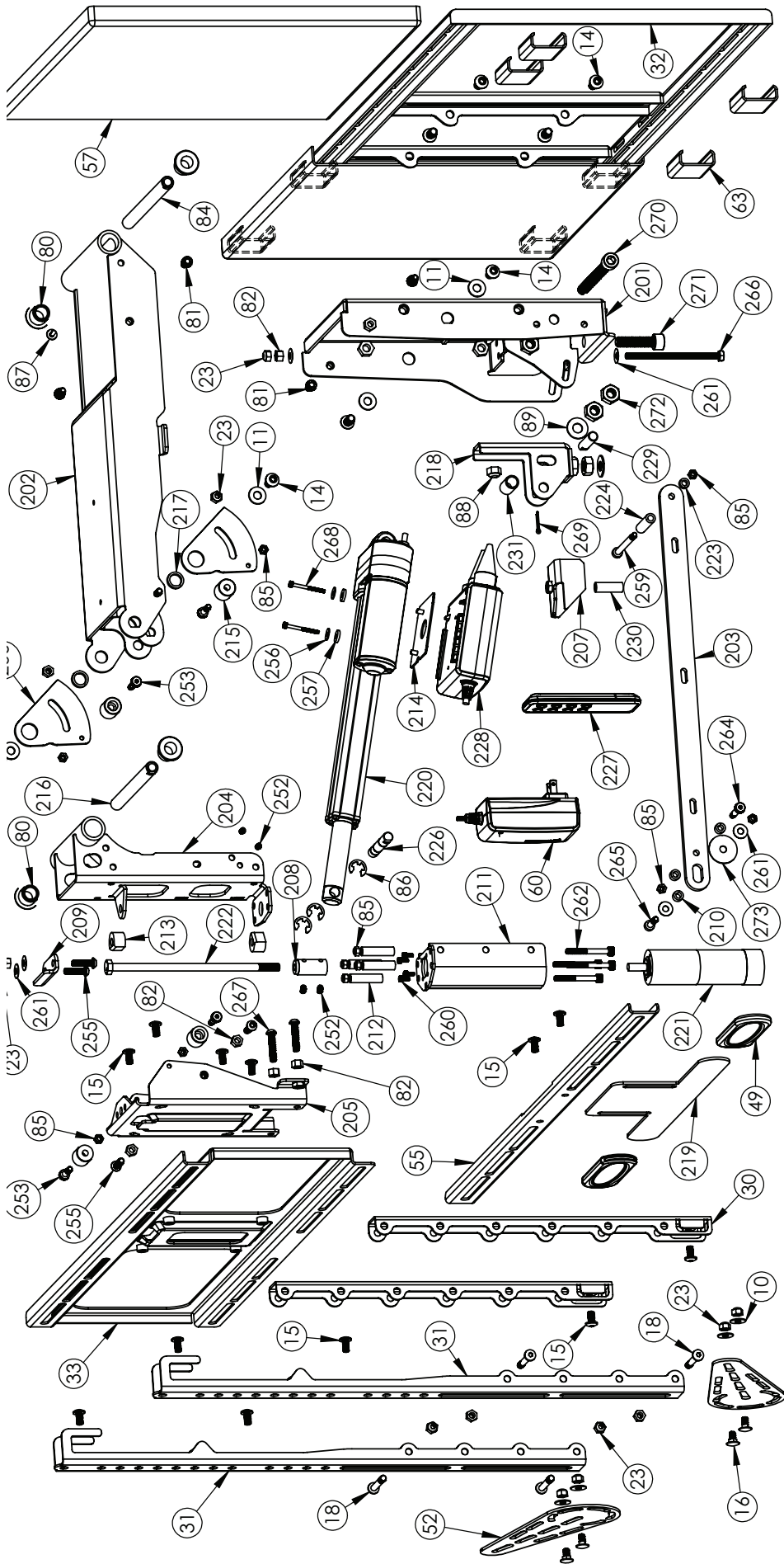


5.10 Install the Wall Covers using the included adhesive Velcro strips.

Attach the Hook {25} and Loop {26} strips together onto the Wall Cover Clips, and then press the Wall Covers into the correct position onto the Wall Plate. This will properly align the velcro onto the Wall Covers.

Hook and Loop Together





INSTRUCTION MANUAL

Additional Installation Parts

- 01
- 02
- 03
- 04
- 05
- 06
- 07
- 08
- 09
- 10
- 11
- 12
- 17
- 20
- 24
- 25
- 26

ITEM #	PART #	DESCRIPTION	QTY
1	12189	M5 x 12	4
2	12190	M5 x 30	4
3	12191	M5 x 40	4
4	12195	M6 x 16	4
5	12194	M6 x 30	4
6	12193	M6 x 40	4
7	12197	M8 x 15	4
8	12198	M8 x 25	4
9	12199	M8 x 45	4
10	12166	Washer M6	8
11	14126	Washer M8 x 2	12
12	12122	Spacer	12
14	12176	BHCS M8x16	8
15	12178	Round Head Screw M6 x 12	12
16	15083	CARRIAGE BOLT M6 X 12	4
17	12154	Lag Bolt M8 x 60	4
18	12255	Round Head Screw M6 x 40	4
20	MM815 Manual	MM815 Instruction Manual	1
23	12183	Locknut M6	13
24	12162	Cable Tie	16
25	12139	Velcro Strip Hook	8
26	12141	Velcro Strip Loop	8
30	14056	Brace Extender	2
31	14038	TV Vertical Brace	2
32	13011	Wall Frame	1
33	24030	TV Frame	1
49	12222	Handle Rubber, Temp Change	2
52	15010	Sound Bar Wing	2
55	14060	TV Horizontal Brace	1
57	12113	Wall Cover	2
60	24127	TP7 Plug	1
80	12115	Bushing	4
81	12174	M6x10 SHCS	4
82	12185	Nut M6	5
84	13064	Shaft 164	1
85	21191	Locknut M5	11
86	24142	M10 External Retain Ring	3
87	24153	Cable Tie Mount	1
88	12187	Locknut M8	1
89	14128	M10 Washer	2
63	25000	Wall Cover Clip	8
219	24219	MM815 Temp Display	1
201	24201	MM815 Wall Bracket	1
202	24202	MM815 Upper Arm	1
203	24203	MM815 Lower Arm	1
204	24204	MM815 Swivel Plate	1

ITEM #	PART #	DESCRIPTION	QTY
205	24205	MM815 Swivel TV Plate	1
206	24206	MM815 Centering Cam	2
207	24207	MM815 Bottom Tilt Adjust	1
208	24208	MM815 Motor Coupling	1
209	24209	MM815 Clutch Preload	1
210	24210	MM815 M6 Bushing	3
211	24211	MM815 Motor Attach	1
212	24212	MM815 Motor Spacer	4
213	24213	MM815 Swivel Spacer	2
214	24214	MM815 Controller Holder	1
215	24215	MM815 Centering Roller	4
216	24216	MM815 TV Side Shaft	1
217	24217	MM815 TV Shaft Spacer	2
218	24218	MM815 Actuator Adjust	1
220	24220	MM815 TA16 Actuator	1
221	24221	MM815 Swivel Motor	1
222	24222	MM815 Custom M8 HHCS	1
223	24223	MM815 Bot Tilt Spacer Short	1
224	24224	MM815 Bot Tilt Spacer Long	1
226	24226	MM815 Actuator Pin TV Side	1
227	24227	MM815 TFH22 RF Remote	1
228	24228	MM815 TC7 Controller	1
229	24229	MM815 Actuator Adjust Pin	1
230	24230	MM815 Bot Tilt Spacer Med	1
231	24231	MM815 Actuator Adjust Spacer	1
232	24232	MM815 Swivel Wire	1
252	24252	M5x8 Set Screw, McM 91390A117	4
253	24253	M6x12 Shoulder Bolt, McM 92981A101	4
255	24255	M6x22 BHCS	4
256	24256	M4 ID 22 OD, McM 91100A130	2
257	24257	M4 Rubber Washer, McM 90133A017	2
259	24259	M6x60 Shoulder Bolt, McM 92981A109	1
260	24260	M3x8 SHCS	4
261	24261	M6 15OD Belleville, McM 96445K294	4
262	24262	M5x45 SHCS	4
264	24264	M6x20 Shoulder Bolt, McM 92981A103	1
265	24265	M6x15 Shoulder Bolt, McM 92981A751	1
266	24266	M6x100 SHCS Fully Threaded	1
267	24267	M6x30 BHCS	2
268	24268	M3x35 SHCS	2
269	24269	M2.5x16 Cotter Pin, McM 98350A621	1
270	24270	M10x110 Full Thread SHCS	1
271	24271	M10x40 SHCS	1
272	24272	M10 Nut, McM 90592A024	3
273	24273	M6 Washer 30 OD 1 Thick	1

TROUBLESHOOTING TIPS

Customer satisfaction is our top priority!

Following are solutions for the most common installation challenges. For further assistance, visit www.mantelmount.com/troubleshooting or contact Customer Support at 1-800-897-9755 ext.1 or support@mantelmount.com, Monday through Friday, 7am to 4pm PST.

► **NOTE:** In rare cases, one troubleshooting adjustment may create the need for another. Be prepared for some trial and error.

MOUNT SPACE	
ISSUE	SOLUTION
The wall covering is made of brick or stone.	It's possible to install MantelMount by using concrete anchors (included) with the Lag Bolts {17}, PROVIDED the brick/stone/wall is structurally sound, several inches thick, and can handle four times the weight of the TV and mount. Working with a concrete/masonry professional for this type of installation is recommended.
The drywall/stucco wall covering is thicker than 5/8".	Please contact Customer Support for guidance before attempting installation.
A single wood stud is centered on my wall.	MantelMount recommends adding more support so mount can attach to the equivalent of 2 studs.
MOUNT PERFORMANCE	
ISSUE	SOLUTION (May require some trial and error to reach optimal performance.)
Swivel is off	<p>Swivel needs to be recalibrated</p> <ol style="list-style-type: none"> 1. Press Run 2. Press ↑ Within 3 seconds to allow Mount to move all of the way to the top position. Mount should be recalibrated. You can also run Reset Function to recalibrate. See page 5. <p>► NOTE: The Swivel on the mount has a friction clutch that automatically disengages to avoid damage if the mount swivels into something, or someone swivels the mount manually. If that happens the swivel will be out of position and the swivel will not work as expected. The swivel needs to be recalibrated right away to avoid damage. To recalibrate Auto-move the mount to the top position:</p>
TV isn't vertical in out and bottom positions	See step 5.4 to adjust the Bottom/Out Position tilt
TV isn't vertical in the Top Position	See step 5.5 to adjust the Top Position tilt
TV is not returning to same memory position	<ol style="list-style-type: none"> 1. Press Run 2. Press within 3 seconds ↑ 3. Allow Mount to move all of the way to the top position and wait 5 seconds 4. Mount should be recalibrated 5. Or run System reset, See page 5.
Mount does not move	<p>There are a few things to try</p> <ol style="list-style-type: none"> 1. Run System Reset, see page 5 2. Check that power is getting to the mount by making sure there is a green light shining on the plug. 3. Replace the CR2032 battery in the remote. 4. Check that the wires in the mount are plugged in and not damaged. 5. Pair the RF remoted, see Step 3.3 6. Maybe the Bottom Limit got set too high, clear the Bottom Travel Limit, see Page 5. <p>Warning: The mount can now travel all of the way down and the Bottom Limit will have to be redone, see section 3.5.</p>

CONTINUED ON NEXT PAGE 

TROUBLESHOOTING TIPS

← CONTINUED FROM PREVIOUS PAGE

MOUNT PERFORMANCE

ISSUE	SOLUTION (May require some trial and error to reach optimal performance.)
Mount is acting weird	Run System Reset, see Page 5
Mount swivels a little when coming down	Manually center mount at zero degree swivel by rotating TV with hands and over-riding clutch. Mount is at zero degrees swivel after you recalibrate (drive the mount to the top position), then move the mount straight down.

TV LEVELING

ISSUE	POSSIBLE CAUSE	HOW TO CHECK	SOLUTION
TV is not level in the UP and/or DOWN positions.	The mantel, ceiling or floor may not be level.	Compare TV level with that of the mantel and floor.	<ol style="list-style-type: none"> 1. Adjust until visibly satisfactory. 2. Move the TV down. 3. Make Post Leveling adjustments (Step 5.6) and match the level readings of the mantel with the TV. 4. Ensure Top Tilt Adjustment is the same on each side of the mount, see Step 5.5
	Vertical Braces aren't evenly attached to the back of the TV.	Look at the back of the TV and ensure that the top of the Vertical Braces are offset from the top of the TV the same distance.	<ol style="list-style-type: none"> 1. Remove electrical and signal cables (Step 4.5). 2. Detach the TV Brace from the Vertical Braces (Step 4.4). 3. Remove the TV from the TV Brace (Step 4.2) and lay TV face down on a blanketed surface (Step 1.1). 4. Remove the Vertical Brace(s) as necessary. 5. Reposition the Vertical Braces so that they are properly parallel to one another, then repeat Step 1, Step 4 and if necessary, Step 5.
	Wall Plates aren't level.	Use a level on top of Wall Plates to verify that it's not level.	<ol style="list-style-type: none"> 1. Remove electrical and signal cables (Step 4.5). 2. Detach TV Brace from Vertical Braces (Step 4.4). 3. Remove the TV from the TV Brace (Step 4.2) and lay TV face down on a blanketed surface (Step 1.1). 4. Slightly loosen all four Lag Bolts (Step 3.1). 5. Adjust Wall Plates so that they are level. 6. Hold Wall Plates in level position and firmly tighten the four Lag Bolts. Heed warning in Step 3.1. 7. Once the Wall Plates are level, repeat Steps 3, 4 and 5.
TV is level in the UP position, but unlevel in the DOWN position, or vice versa.	The Top Stops aren't evenly set.	Use a level to verify the TV is level in the UP position but not in the DOWN position, or vice versa.	Follow the instructions in Step 5.5 . Be prepared for some trial and error. If adjusting the Top Stops doesn't solve the problem, try the solution below for when a TV is heavier on one side.
	TV is heavier on one side.	Use a level to verify the TV is level in the UP position but not in the DOWN position, or vice versa.	Attach a counterweight to the back of the TV. Contact Customer Support for assistance.



For missing/damaged parts or questions during installation,
please contact our Customer Support team at **1.800.897.9755 ext.1**
or **support@mantelmount.com**. Customer satisfaction is our highest priority!

MAILING ADDRESS: 2647 Gateway Road Ste. 105-435 Carlsbad, CA 92009
mantelmount.com

U.S. Pat. No. 8,864,092 , No. 8,724,037 - For more information on MantelMount patented technology visit: www.mantelmount.com/pages/patents