

# PIC18F16Q20 Curiosity Nano Dev Kit

## Revision Log

| Rev | Date       | Description   | Author      |
|-----|------------|---|-------------|
| A   | 26/12/2023 | Initial SCH Draft   | S. Pinheiro |
| A   | 11/03/2024 | Removed Caps that interfered with programming and LED that gave no useful feedback. | P. Alonso   |
|     |            |   |             |

## Mechanical & Miscellaneous

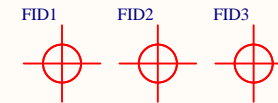
### ERC reference

✘ Net with only one pin

### Disclaimer

In order to see the overlay, in the Layout, correctly is MANDATORY to download the 'Acumin pro condensed' font  
The font should be available in the "INSTALL THIS FONT" folder inside this project.  
It can be downloaded from here: [https://www.onlinewebfonts.com/fonts/Acumin\\_Pro\\_Condensed](https://www.onlinewebfonts.com/fonts/Acumin_Pro_Condensed)

### Fiducial Markers

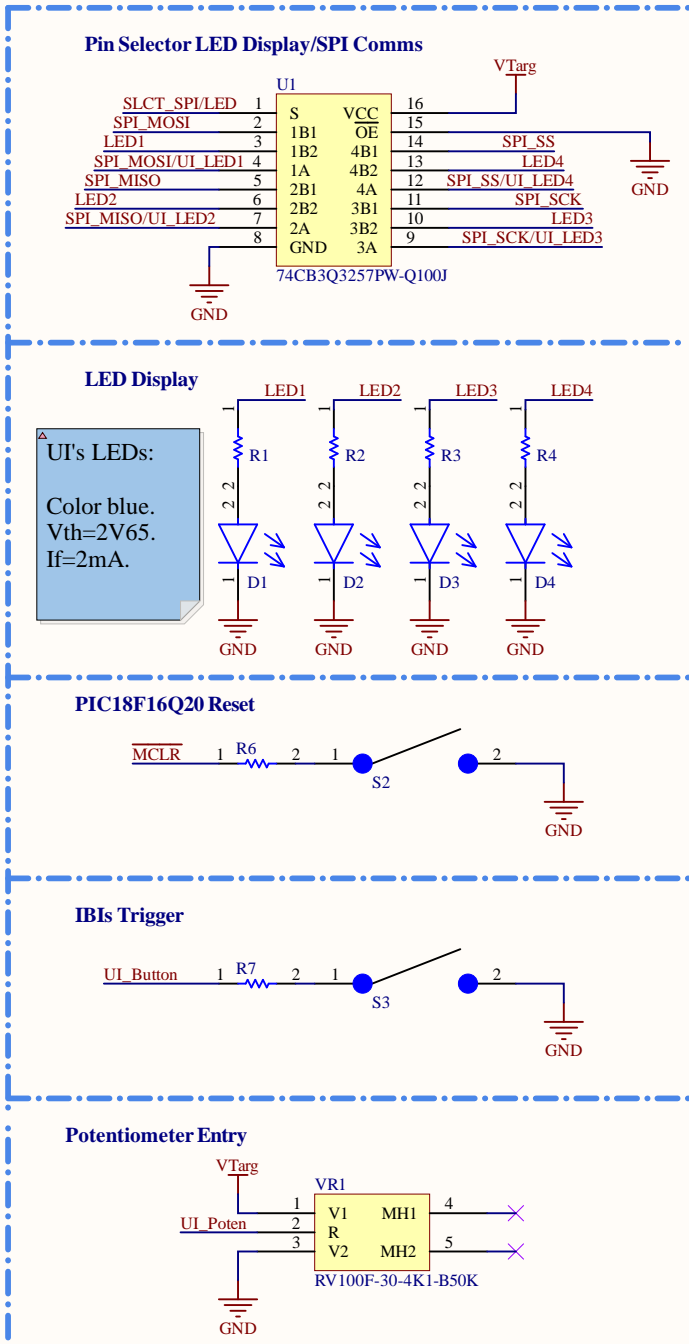


## Configuration Notes

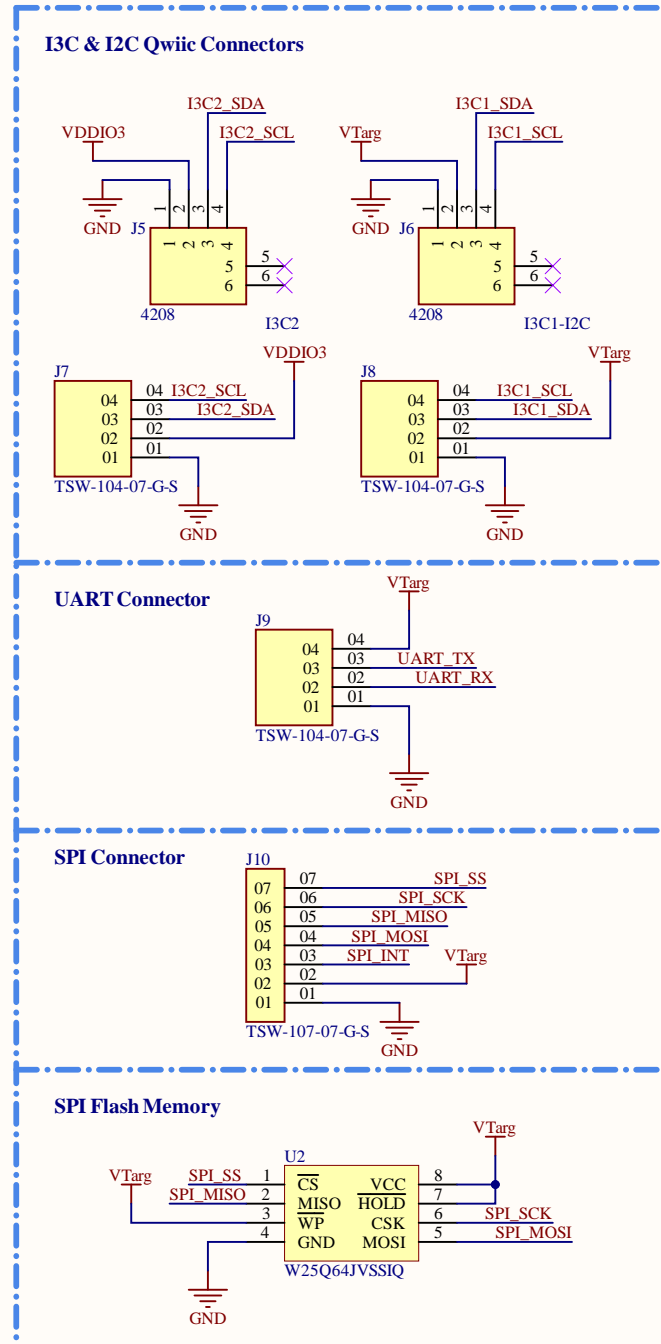
|  |  |              |
|--|--|--------------|
| TITLE<br><i>Curiosity Nano Dev Kit</i> |  | <b>binho</b> |
| SHEET<br><i>1 of 2</i>                 | DATE<br><i>4/26/2024</i>                               |              |
| DRAWN BY<br><i>S. Pinheiro</i>         | REV<br><i>RevB</i>                                     |              |
| ITEM #                                 | ITEM NAME<br><i>PIC18F16Q20 Curiosity Nano Dev Kit</i> |              |

# Cursiosity Nano Dev Kit

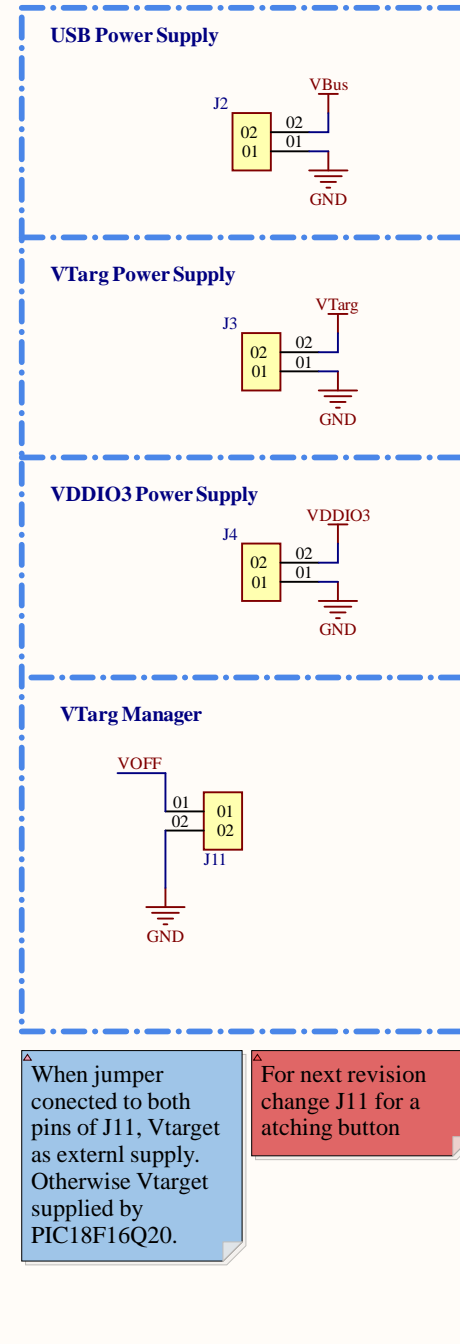
## User Interface



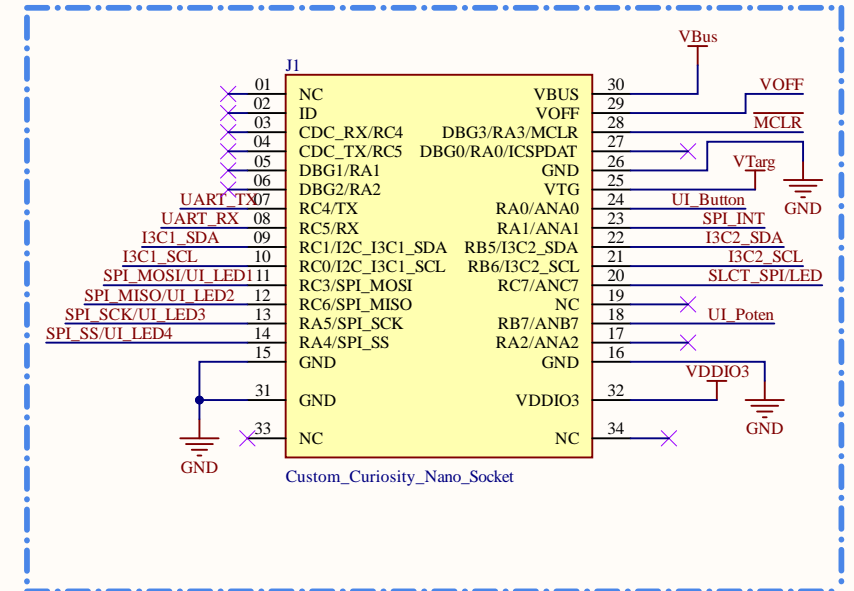
## Comms Connectors



## Power Management



## Cursiosity Nano Socket



**PIC18F16Q20 Curiosit Nano placed at J1:**

V<sub>Bus</sub> fixed at 5V.  
VDDIO3 fixed at 1V2.  
V<sub>Targ</sub> adjustable, set at 3V3 by default. PIC18F16Q20 Curiosity Nano pins at V<sub>Targ</sub> when high.

**Multiplexor U1:**

When S = LOW, pins used for SPI comms.  
When S = HIGH, pins used for UI's LEDs display.