

Warranty

Product Name	FRAIS AROMA DESK FAN
Product Number	HOE-M044
※Purchase Date	
Warranty Period	6 Months after purchase date
※Purchase Shop	Address
	Shop Name
	Tel
※Customer Information	Address
	Tel
	Name

※ If the item "※" is not filled in, the warranty card will be invalid. Therefore, please make sure that the item has been filled in. If this is the case, please show information such as the store purchased or the date of purchase.

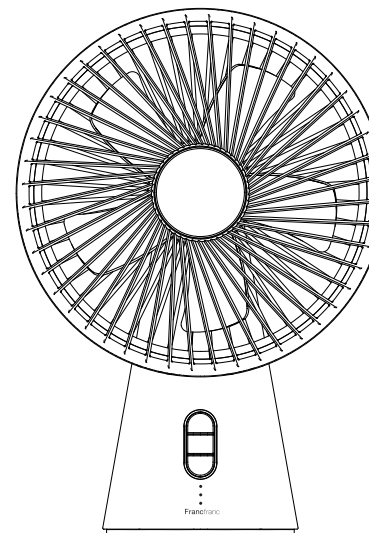
hk.francfranc.net

Cut here

Francfranc

Instruction manual

FRAIS AROMA DESK FAN



WARNING

Lithium-ion batteries are only suitable for use at 60 ° C or below.
Therefore, do not place it in a hot environment or in a hot place such as the car in summer.

Thank you for purchasing this product.

Please read this instruction manual carefully before use and use the product correctly. After reading, be sure to keep it and re-read it if you have any questions.

Product specification

Product number	HOE-M044
Product name	FRAIS AROMA DESK FAN
Battery	Lithium Ion Battery 3.7V 4000mA
Charging time (approx.)	6 hours 30 mins
Charging cable (approx.)	USB power cord: 2M
Fan Blade Size (approx.)	5.1inch (approx.13cm)
Wind direction adjustment	Left and right total 60°C (automatic), upward 90°C (manual)
Wind volume adjustment	3-stage wind volume
Rhythm function	Yes
Swing function	Yes
Lighting adjustment	3 levels of light intensity
Automatic stop	7 hours
Continuous use time (approx.)	7 hours (low) to 4.5 hours (high) 5.5 hours to 2.5 hours [When using swing mode]
Size (approx.)	181×126×265mm
Weight (approx.)	570g
Material	Main body: ABS Aroma chip storage tray and blades: PP
Set Includes	Main Body (built-in lithium ion battery, USB power cord, manual (with warranty card), Aroma chip × 3 (Aroma chip storage tray × 1 piece, additional × 2 pieces)

※ There will be no further notice if product specifications are subject to change.

Continuous use time only applies to fan operation.

When connected to a USB power supply, if the fan is operated with the LED light or the swing function at the same time, the power consumption will be greater than the power supply, which will cause the backup power in the lithium ion battery to be consumed. Therefore, it may stop working within 30 minutes to 2 hours after fully charged.

Cut here

Warranty Service Terms

1. In case of any malfunction with normal usage and within the warranty period, we provide a replacement based on the condition stated on this warranty.
2. Bring this warranty card and invoice / receipt for services within the warranty period.
3. In case of sending item for replacement, the customer bears the shipping cost.
4. This warranty does not cover any damage of any appliances including but not limited to computer and the loss of data due to the USB connection to this product.
5. Warranty is not covered under the following circumstances:
 - (a) Lost or not presenting this warranty.
 - (b) The warranty card is not filled or falsification is found.
 - (c) Malfunction or damage caused by inappropriate usage, remodeling, or responsibility of the user.
 - (d) Malfunction or damage caused by natural disaster, such as fire, thunder, earthquake, flood, abnormal voltage, etc.
 - (e) Not for household use.
 - (f) Malfunction or damage caused by transportation or fall after purchase.
 - (g) Destruction of consumables and accessories is not covered under the warranty.
6. We do not reissue the warranty card, please keep it safe.
7. Warranty is only valid in Hong Kong.
8. After the end of the sale period, please note that replacement may not be possible even within the warranty period.

*When purchased at Francfranc online store and have no shop stamp, keep the invoice with the purchase date and bring it with this warranty card to enjoy the same warranty service.

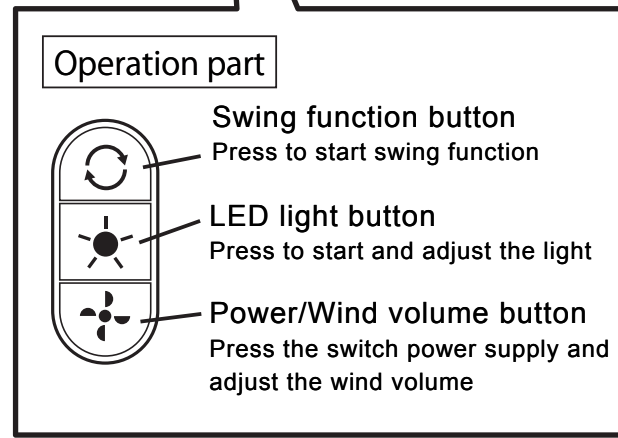
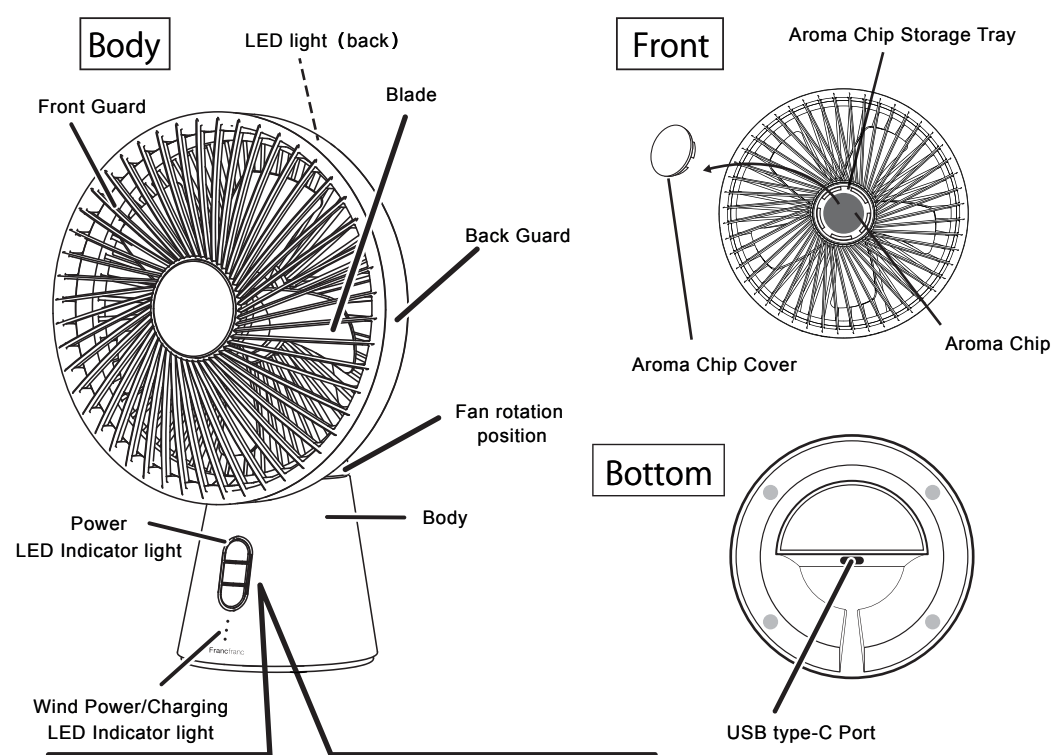
Index

Basic introduction	Feature	P.1
	Name of each part	P.2
	Safety Precautions	P.3~5
	Precautions for use	P.5
Instructions	How to charge	P.6
	How to use	P.7
	Using with Aroma Oil	P.8
Cleaning and maintenance	Daily cleaning and maintenance	P.9
Others	Trouble Shooting	P.10

Feature

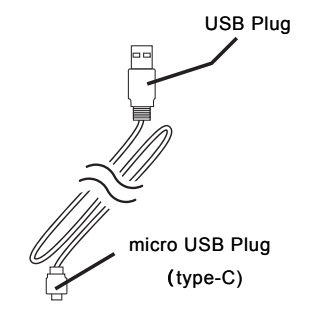
- Equipped with LED lights for lighting at night
With 3 levels of light and darkness, it can be placed next to the bed as a table lamp.
- Can be used all year round.
The fan angle can be adjusted up and down 90°. It can be used as a convection fan to improve air circulation in a kitchen etc,
- Automatic swing function
The fan is equipped with an automatic swing function. Apart from using it in the living room, it can also speed up the indoor clothes drying.
- Rechargeable wireless use
Rechargeable and wireless fan is compact and can be stored in small space. It is also easy to move around anywhere in a house.
- Energy-saving DC
The use of DC and 5 fan blades design made it powerful enough with rechargeable power. Energy-saving and generate powerful wind.

Name of each part



⇒For operation details, please refer to P.7

Charging USB Cable



Safety Precautions



Li-ion

Warning

Built-in lithium ion battery

- Do not disassemble the body to remove the battery by yourself.
- Please dispose of it directly in the special recycling bin without disassembling the boot

For safety, please read this manual carefully before use, and make sure that you have fully understood the content before you start using it. This product is for home use only.

Warning	Handling or using the product improperly and in disregard of the instructions with this mark may result in serious bodily injury or death.
Caution	Handling or using the product improperly and in disregard of the instructions with this mark may result in serious bodily injury or material damage.

Tag example

This mark means "Forbidden"	This mark means "Must follow"
-----------------------------	-------------------------------

Warning

Except for professional repair personnel, do not dismantle, modification and repair. Otherwise, it may cause fire or malfunction. No modification	Do not soak or splash water. Do not wash with water. It may cause electric shock, short circuit or fire. Forbidden
Do not damage, modify, bend or pull the USB power cable. It may damage the USB power cable. Using it while it is damaged may cause a fire or electric shock. Forbidden	Please use the attached USB power cable. It may cause fire or electric shock. Must follow

Safety Precautions

Warning

Do not use within the reach of small children. To avoid fingers or hair get caught in the fan blades, causing physical injury, electric shock, and burns or swallowed parts. Forbidden	Avoid having dust or metal pieces attached on USB plug. And ensure that the connector is fully inserted before use. If dust or dirt accumulates on the USB connector, the USB connector cannot be fully inserted and becomes unstable. Using it in this situation may cause abnormal heat generation, dissolve and deform the USB connector, and cause electric shock or fire. Must follow
Do not handle USB connector with a wet hand. It may cause electric shock, malfunction or damage. Forbidden	Do not use or store in places with high humidity such as bathroom. It may cause fire, electric shock. Forbidden
Clean the dust on the USB connector regularly. It may cause fire or over heating. Must follow	Do not let pets and other animals approach. To prevent the USB power cord from being bitten or contaminated by excrement, it may cause leakage, electric shock or malfunction. Forbidden
Do not charge in a place where heat is trapped. Do not cover with a blanket while charging. The battery may be heated abnormally, causing overheat and ignition, and in the worst case, blankets may burn. Forbidden	Do not charge in a hot place. Do not charge in hot places such as near the stove or inside a car under the scorching sun. It may cause liquid leakage, overheat, explosion, or ignition. Forbidden
If the battery leaks, keep it away from fire. If the lithium ion battery leaks or has a strange odor, immediately keep it away from fire. The leaked electrolyte may ignite, causing it to explode or fire. Must follow	If you notice any abnormality, stop using it. If you notice any strange odor, overheat, discoloration, deformation, or any other abnormalities, stop using it immediately. Continuing to use it may cause the battery to overheat, explode, or ignite. Must follow
Do not subject the product to strong impact. Do not subject the product to strong impact, such as dropping from a high place or throw it. The lithium ion battery may be deformed or the protection mechanism built into the lithium ion battery may be damaged, causing overheat, explosion, or ignition. Forbidden	Be sure to unplug the USB plug and turn off the power before cleaning. There is a risk of electric shock or injury. Unplug

Safety Precautions

Warning

When plugging in the USB connector, If there is any obstruction from foreign objects and cannot insert it smoothly, do not force it.



To avoid causing electric shock, malfunction or damage.

Forbidden

Do not charge for a long time. And do not place near flammable materials.



It may cause fire or bodily injury due to malfunction or damage.

Forbidden

When unplugging the USB plug, be sure to hold the plug at the tip without holding the cable.



It may cause electric shock or short circuit.

Forbidden

If you need to use an AC power adapter to charge, Please use an AC power converter of 1A or more.



Since a current of 1A or more flows during charging, using an AC adapter with a rated capacity of less than 1A may cause the AC adapter to malfunction.

Must follow

Do not subject the product to strong impact.



To avoid causing electric shock, malfunction or damage.

Must follow

Do not expose your body to the wind for a long time.



It may harm your health.

Forbidden

Do not use when the usage time becomes extremely short.



Lithium ion batteries have a limited life. When the usage time of the battery is shortened, do not take it out or disassemble it. Throw it in dedicated box.

Forbidden

If the product cannot be disposed in the dedicated collection box, such as when liquid leaks, dispose it according to the instructions of each local government.



Must follow

Do not put it in an unstable place or where excess debris place.



Be careful not to let curtains, potted plants, etc. get caught in the fan blades, and let any objects obstruct the front grille or rear grille, otherwise it may cause the main body to overheat and cause a malfunction or fire. In addition, if the product is placed on the table and used, please ensure that the position is stable and will not fall.

Prohibited placing locations

About placement



If it is placed on a plastic floor such as a cushion, there are very few cases where the ground may become discolored. Therefore, to avoid this situation, please place a layer of board on the plastic floor as a barrier.

Must follow

Do not put your fingers or any foreign objects into the fan guard.



In order to avoid physical injury or malfunction, and if there are young children, please pay extra attention.

Forbidden

Do not place in front of warm air outlet of heaters and use it.



It may cause malfunction or fire.

Prohibited placing locations

Do not place near heating equipment, etc. where hot air is emitted.



In order to avoid failure and fire.

Forbidden

About charging time

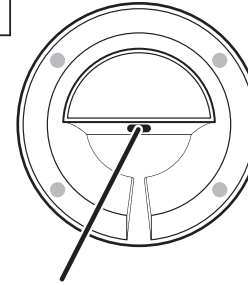


If the power is as low as zero, please charge it about 1 hour before starting the power again, otherwise the protection circuit of the battery will be affected and the operation will be unstable.

Must follow

How to charge

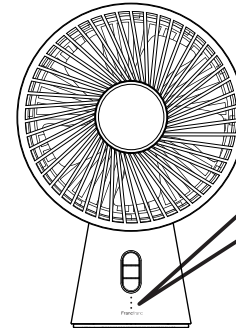
Bottom



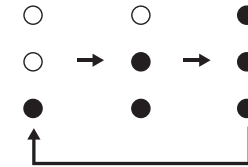
USB type-C port

Please use the included USB power cable to connect to a AC adaptor or a computer, etc. for charging.

Wind Power / Charging LED indicator during charging



When charging, the wind power / charge LED indicator will flash orange in the following order.



After the charging is completed, the wind power / charge LED indicator lights will all light up in

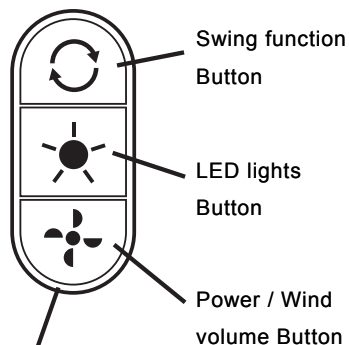


About Charging

If the power is as low as zero and the "USB power supply" or "AC power converter" is used to start the power supply immediately, It may cause the protection circuit of the battery to be affected and make the operation unstable, so please charge it about 1 hour before starting the power again.

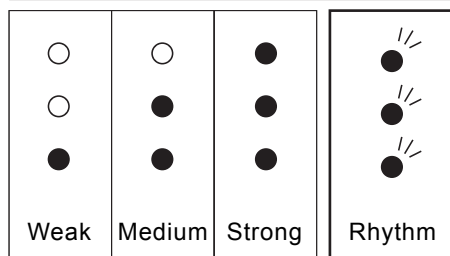
How to use

Operation section



Power LED indicator

Wind power / charging LED indicator



The orange light will flash during charging; after fully charged, the wind power / charging LED indicator lights will all light up.

Set the rhythm wind function, the wind power / charging LED indicator light will flash in sequence within 5 seconds, and then the faint light will come on.

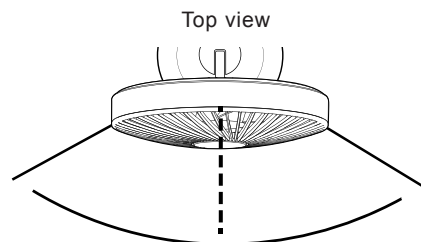
When using the fan

Press the power / wind volume adjustment button once, the power LED indicator will light up in orange, and the wind power will start from "weak".

After starting, every time you press the power / wind volume button, the wind volume can be operated in the order of "weak → medium → strong → rhythm wind → power OFF".

When using the swing function

When the fan is running, press the swing function button to start the swing function. Press again to stop the swing function. The swing function can only be activated when the fan is running.



Total of right and left sides Approx. 60°C

When using LED light

Press the LED light button once, the power LED indicator will light up orange, and the light will start from "weak".

After the light is turned on, each time you press the LED light button, you can change the light intensity in the order of "weak → medium → strong → LED light OFF".

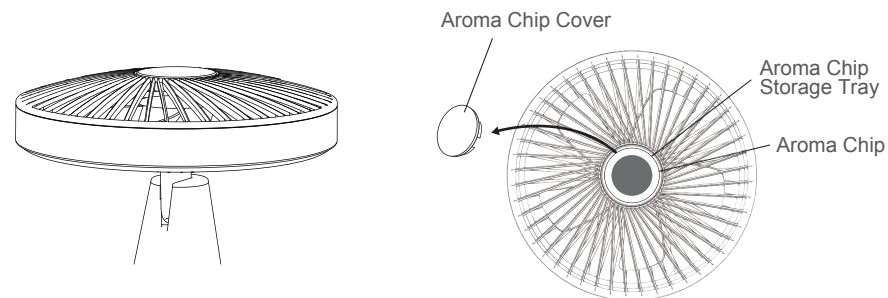
※ The LED light can be activated without running the fan.



Caution

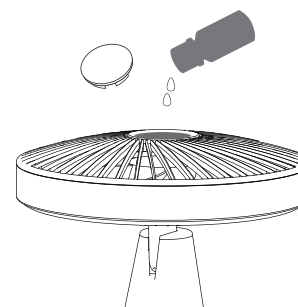
When the USB power supply is connected, if the fan is operated simultaneously with the LED light or the swing function, the power consumption will be greater than the power supply, so that insufficient power will be supplied from the lithium battery. Therefore, it may stop working within 30 minutes to 2 hours with fully charged battery.

Using with Aroma Oil



Please adjust the fan head to 90 ° upward, and then open the aroma chip cover on the front fan guard.

Top View



Add 3 to 5 drops of aroma oil to the aroma chip. After the aroma oil has completely absorbed into the aroma chip, close the cover.

After the cover is closed, a clicking sound indicates that the cover is fixed, and the fan head can be adjusted back to the desired angle.

※Before using different types of aroma oil, please change and replace the aroma chips.



Caution

Please use 100% pure essential oils. If the aroma oil accidentally get on the fan's main unit, please clean it with a soft cloth immediately. In case the aroma oil has penetrated into the fan blades or the grille, please refer to P.9 "Cleaning and Maintenance Method" to remove the guard and use a soft cloth to clean. Please be careful not to add too much aroma oil.

Do not add aroma oil to any place other than "Aroma Chip Storage Holder" to avoid its location to dissolve and deteriorate. Absorbent cotton or sponge can also be used instead of aroma chips.

Daily Cleaning and Maintenance methods

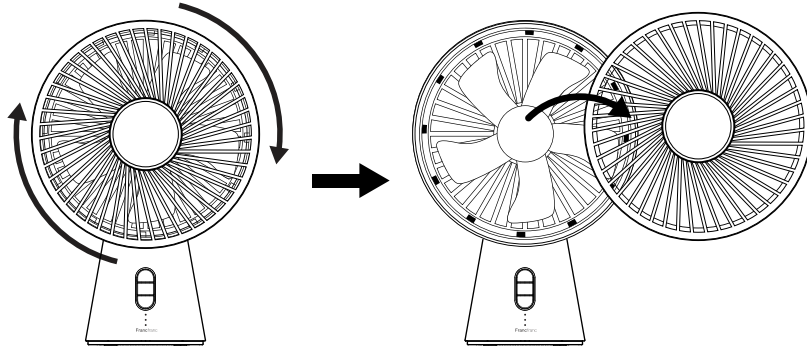


Caution

1. Make sure the power is off. Remove from power source and use up all charged battery.
Do not apply any maintenance while charging battery.
2. Use a fabric with neutral detergent diluted with water and wipe off to clean.
* Do not use volatile organic solvent, such as thinner, alcohol, etc. It may cause deformation or malfunction.

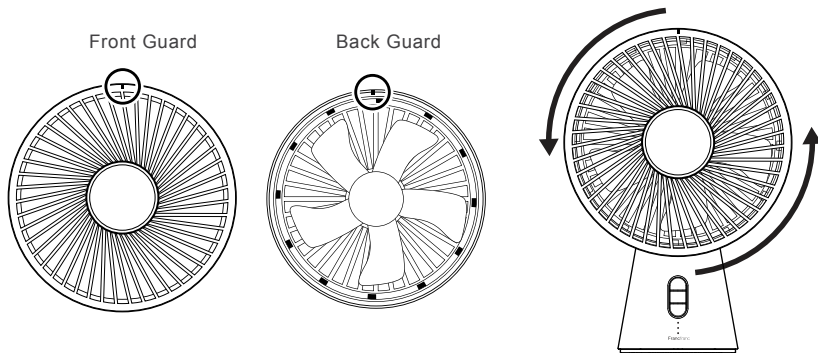
Cleaning method

Please use a soft cloth that has been wrung out to clean.



1. Grasp the rear grille first, and turn the front grille to the right to remove it.

※ If you only grasp the main body, it will increase the burden of the fan rotation position, so when removing the front grille, please hold the rear grille tightly.



2. Use a soft cloth that has been wrung out to clean the fan blades and the main unit.

3. Align the upper part of the rear grille with the mark on the front of the front guard (refer to part o in the above figure), and then turn to the left to fix the guard until the click sound is heard, the front guard can no longer be shaken, which means that the guard has been fixed.

Trouble Shooting

Situation	Reason	Solution
Unable to start power	<ul style="list-style-type: none"> • Out of battery? • USB power supply not fully inserted? 	<ul style="list-style-type: none"> • Please charge. • Please make sure the USB power cord is fully plugged in.

If you have any enquiries, please contact us after confirming the following items:

- Product number ■ Product name ■ Purchase date
- Purchase store ■ Inquiry content

hk.francfranc.net