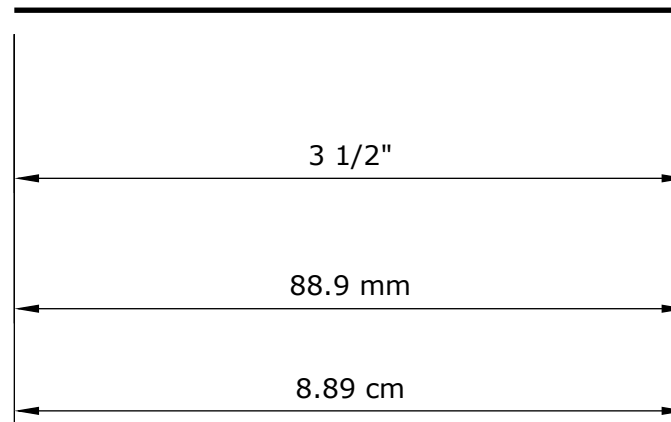


Cut along these lines.

Printable Ring Sizer



Measure this line for reference.

Instructions

Step 1: Using the reference line above use a ruler to make sure the reference line measures exactly 3.5 inches , 88.9mm or 8.89cm.

Step 2: Print this paper on US LETTER SIZED PAPER in LANDSCAPE orientation, then cut out the sizer along the dashed lines.

VERY IMPORTANT: Do NOT check "Fit to Page" or use scaling. Select "Actual Size" as your print layout option.

Step 3: Cut a slit on the sizer where its marked "read size here".

Step 4: Take the pointed end and wrap around your finger tightly but not so tight that it cant move around a little. Insert the pointed end through the slit that you cut.

Step 5: Your approximate ring size should be read through the slit. Remember it's an approximate reading.

Tips

Remember that the best way to get an accurate ring sizing is to use a proper jewelers ring sizer. Most local jewelry shops will measure you for free. We do not guarantee the complete accuracy of this printable guide as there are too many variables such as paper size, and printer settings.

Its best to measure your finger when it is warm.

Any of our products labeled as "nail rings" should be sized taking into account that they sit below the knuckle. Read our sizing guide on our website for product specific information.

If the reference line above does not measure correctly on a ruler, then do not use this guide.

RING SIZE COMPARISON CHART

INSTRUCTIONS:

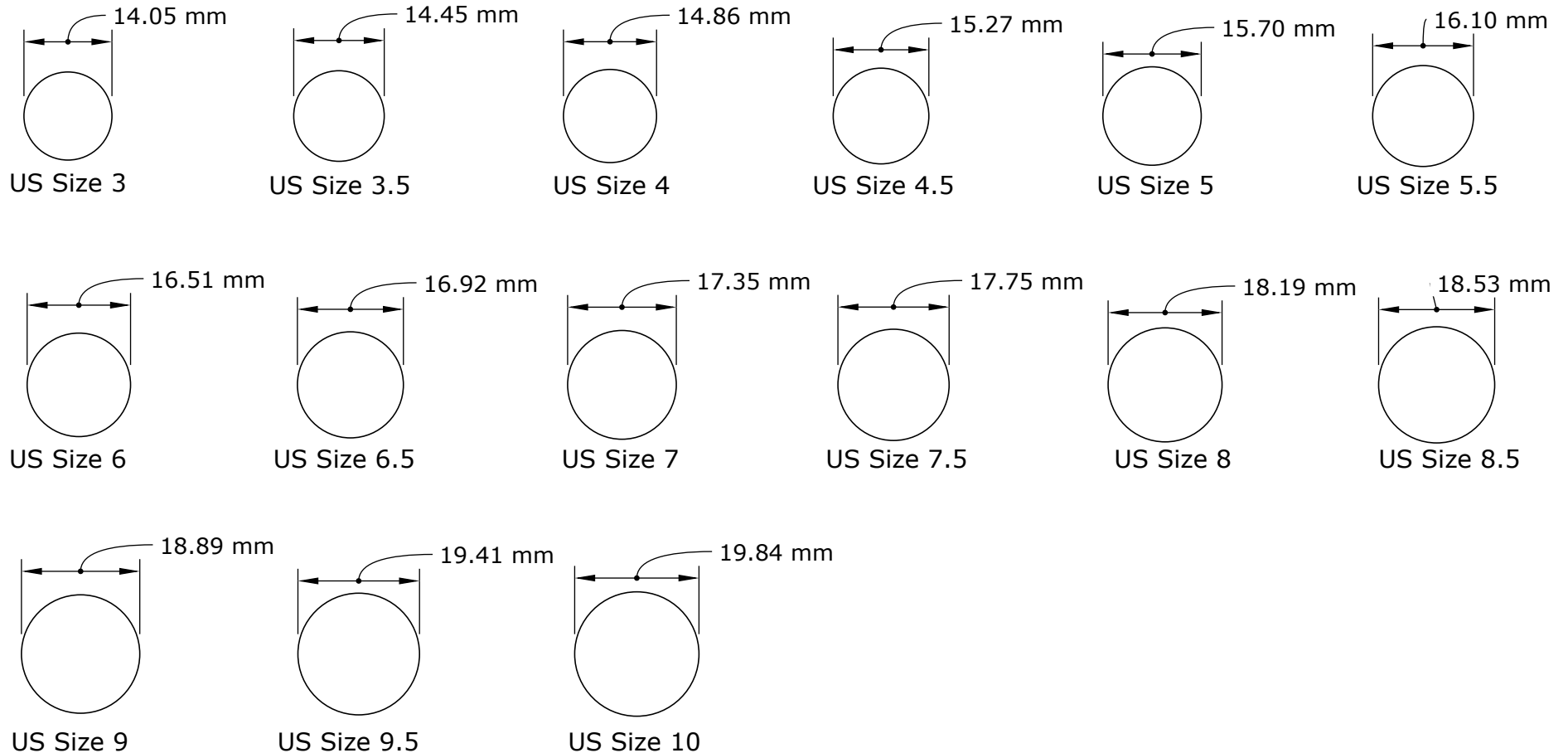
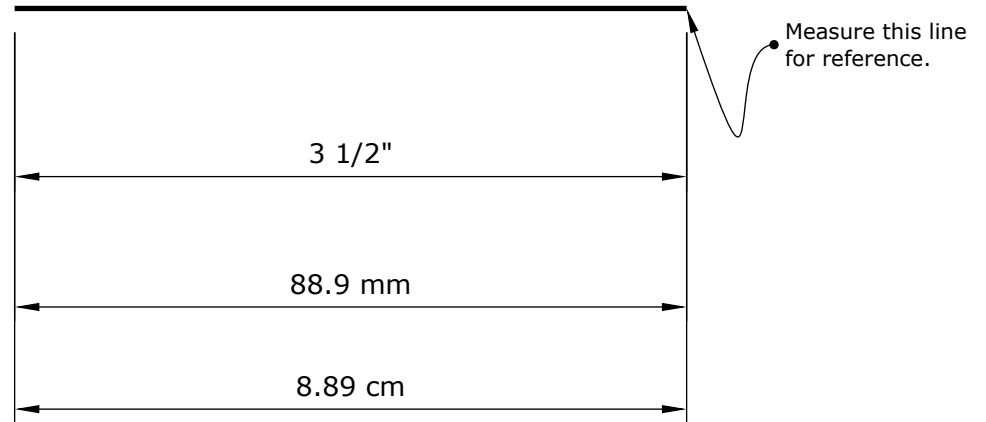
Step 1: Print this paper on US LETTER SIZED PAPER in LANDSCAPE orientation.

VERY IMPORTANT: Do NOT check "Fit to Page" or use scaling. Select "Actual Size" as your print layout options. DO NOT USE ANY OTHER PAPER SIZE.

Step 2: **VERY IMPORTANT:** Measure the reference line to the right of the page with a ruler to ensure the page has scaled correctly.

Step 3: Using a ring which you already own, place it atop the circle that best matches your inside dimension of the ring. The black circle should not be visible when looking inside your ring.

Please remember this sizing chart is approximate, the best way to have your finger sized is to have a jeweler size you.



INTERNATIONAL RING SIZE CONVERSION CHART

US & Canada	UK, Europe & Australia	China, Singapore, Japan	Hong Kong	Switzerland
2	D	2	-	1 1/2
2.5	E	3	-	2 3/4
3	F	4	6	4
3.5	G 1/4	-	7.5	-
4	H	7	9	-
4.5	I	8	10	-
5	J 1/2	9	11	-
5.5	K 1/2	10	12	-
6	L 1/2	11	13	12 3/4
6.5	M 1/2	13	14.5	14
7	N 1/2	14	16	15 1/4
7.5	O 1/2	15	17	16 1/2
8	P 1/2	16	-	17 3/4
8.5	Q 1/2	17	19	-
9	R 1/2	18	20.5	-
9.5	S 1/2	19	22	-
10	T 1/2	20	23	-