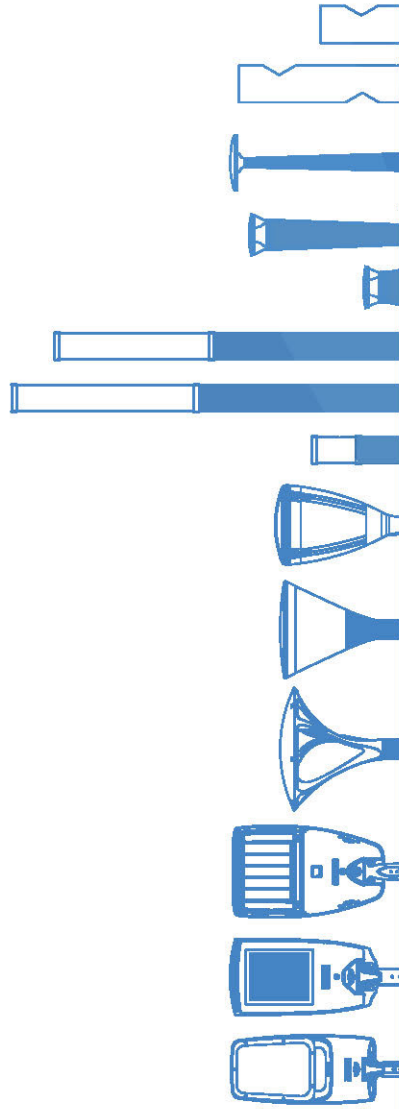


nct

2021

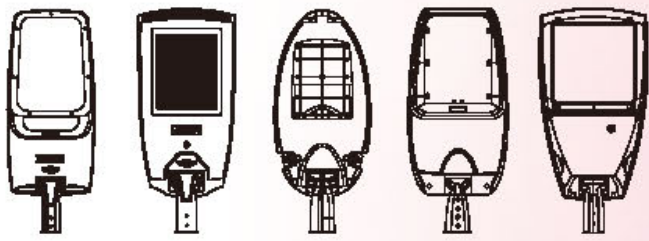
STREET LIGHT



www.nctled.com

STREET LIGHT





Street Light Series



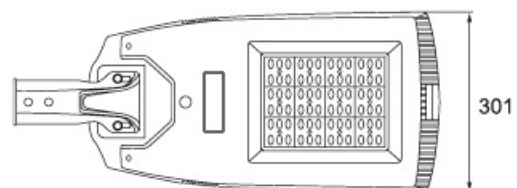
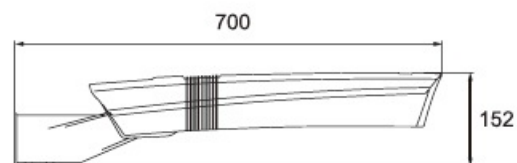
TECHNICAL SPECIFICATIONS

Product Name:	Acura
Power:	Mini:100w/120w maxi:150w
Supply voltage range:	100-305VAC
Temperature range:	-25°C / +55°C
Light guiding system:	PC lenses
Light source:	LUXEON 3030
Luminous intensity class:	Asymmetrical: G1
Glare index class:	D6
Colour temperature:	2700K-6500K
Colour Rendering Index:	CRI>80
System efficacy:	≥110 lm/W
LED Lifetime:	MIN 50,000 hours
Power Efficiency:	≥92%
Lightning protection:	10KV
Housing material:	Die-cast aluminum
Sealing material:	Silicone rubber
Cover material:	Tempered glass
Housing colour:	Light Grey,Dark Grey,Black(or specified color)
Wind resistance:	Mini : 0.0617 m ² / Maxi : 0.0691 m ²
Protection class:	IP66
Shock protection:	IK10
Corrosion resistance:	C5
Mounting diameter option:	Ø60mm
Suggested mounting height:	5-12m
Dimension (L x W x H):	Mini :700x301x152mm / Maxi :784x341x152mm
Net weight:	Mini: 7.7kg Maxi:9.3kg

Acura



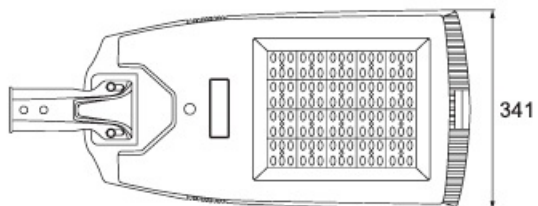
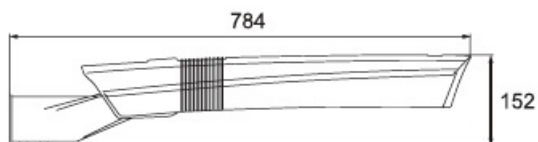
Acura-mini



Luxeon 3030

Order code	No.LED	Connected load (W)	Temperature color	Luminous flux of the luminaire(lm) -4000k(Tj=85°C)	CRI	Input voltage	IK	IP
12001	144	50	2700-6500K	6250	>80	00-305Vac	IK10	IP66
		75		9000				
		100		11500				
		120		13200				
12002	192	75		9375				
		100		12000				
		120		13800				
		150		16500				

Acura-maxi



Luxeon 3030

Order code	No.LED	Connected load (W)	Temperature color	Luminous flux of the luminaire(lm) -4000k(Tj=85°C)	CRI	Input voltage	IK	IP
12003	288	100	2700-6500K	12500	>80	00-305Vac	IK10	IP66
		120		14400				
		150		17250				
		200		22000				
12004	384	180		22500				
		200		24000				
		220		25300				
		250		27500				



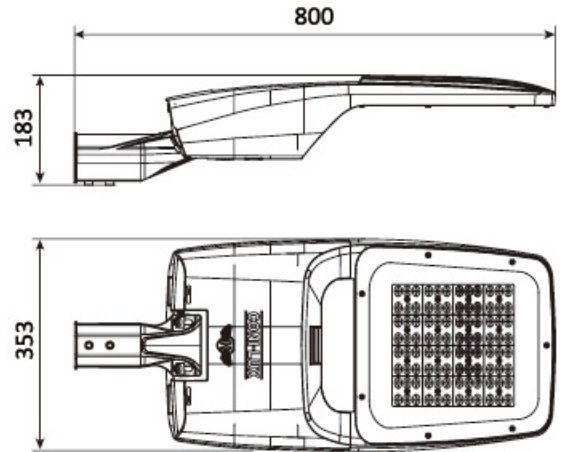
TECHNICAL SPECIFICATIONS

Product Name:	CONILUX
Power:	Mini:150w / maxi:200w
Supply voltage range:	100-305VAC
Temperature range:	-25°C / +55°C
Light guiding system:	PC lenses
Light source:	LUXEON 3030
Luminous intensity class:	Asymmetrical: G1
Glare index class:	D6
Colour temperature:	2700K-6500K
Colour Rendering Index:	CRI>80
System efficacy:	≥110 lm/W
LED Lifetime:	MIN 50,000 hours
Power Efficiency:	≥92%
Lightning protection:	10KV
Housing material:	Die-cast aluminum
Sealing material:	Silicone rubber
Cover material:	Tempered glass
Housing colour:	Light Grey,Dark Grey,Black(or specified color)
Wind resistance:	Mini : 0.0612 m ² / Maxi : 0.0631 m ²
Protection class:	IP66
Shock protection:	IK09
Corrosion resistance:	C5
Mounting diameter option:	Ø60mm
Suggested mounting height:	5-12m
Dimension (L x W x H):	Mini :800x353x183mm / Maxi :900x353x183mm
Net weight:	Mini : 5.2 KG / Maxi : 6.4 KG

Conilux



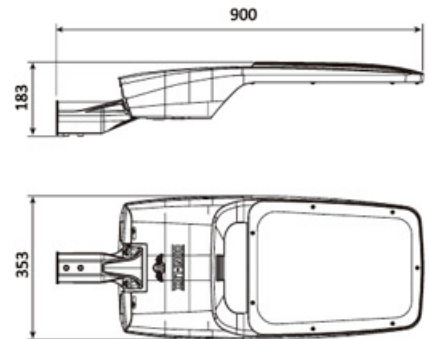
Conilux-mini



Luxeon 3030

Order code	No.LED	Connected load (W)	Temperature color	Luminous flux of the luminaire(lm) -4000k(Tj=85°C)	CRI	Input voltage	IK	IP
12001	144	50	2700-6500K	6250	>80	00-305Vac	IP66	IP66
		75		9000				
		100		11500				
		120		13200				
12002	192	75		9375				
		100		12000				
		120		13800				
		150		16500				

Conilux-maxi



Luxeon 3030

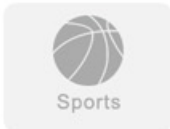
Order code	No.LED	Connected load (W)	Temperature color	Luminous flux of the luminaire(lm) -4000k(Tj=85°C)	CRI	Input voltage	IK	IP
12003	288	100	2700-6500K	12500	>80	00-305Vac	IP66	IP66
		120		14400				
		150		17250				
		200		22000				
12004	384	180		22500				
		200		24000				
		220		25300				
		250		27500				



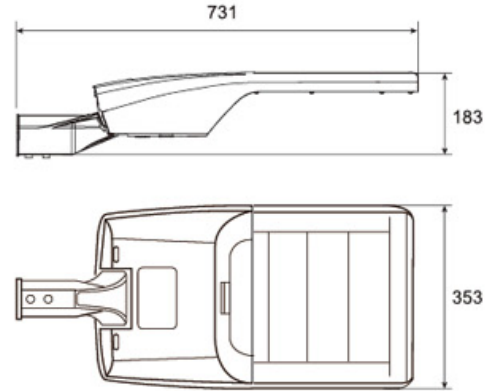
TECHNICAL SPECIFICATIONS

Product Name:	CONILUX 3&5
Power:	3 Module:100w / 5 Module:150w
Supply voltage range:	100-305VAC
Temperature range:	-25°C / +55°C
Light guiding system:	PC lenses
Light source:	LUXEON 3030
Luminous intensity class:	Asymmetrical: G1
Glare index class:	D6
Colour temperature:	2700K-6500K
Colour Rendering Index:	CRI>80
System efficacy:	≥110 lm/W
LED Lifetime:	MIN 50,000 hours
Power Efficiency:	≥92%
Lightning protection:	10KV
Housing material:	Die-cast aluminum+Stretch aluminum profile
Sealing material:	Silicone rubber
Housing colour:	Light Grey,Dark Grey,Black(or specified color)
Wind resistance:	3 Module : 0.0638 m ² / 5 Module : 0.0728 m ²
Protection class:	IP66
Shock protection:	IK09
Corrosion resistance:	C5
Mounting diameter option:	Ø60mm
Suggested mounting height:	5-12m
Dimension (L x W x H):	3 Module :731x353x183mm / 5 Module :872x353x183mm
Net weight:	3 Module : 5.4 KG / 5 Module : 6.2 KG

Conilux 3&5

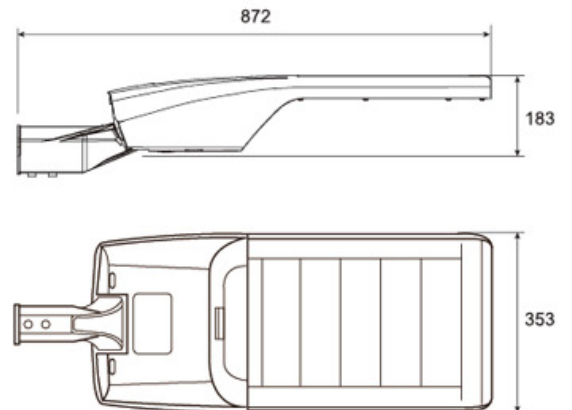


Conilux 3

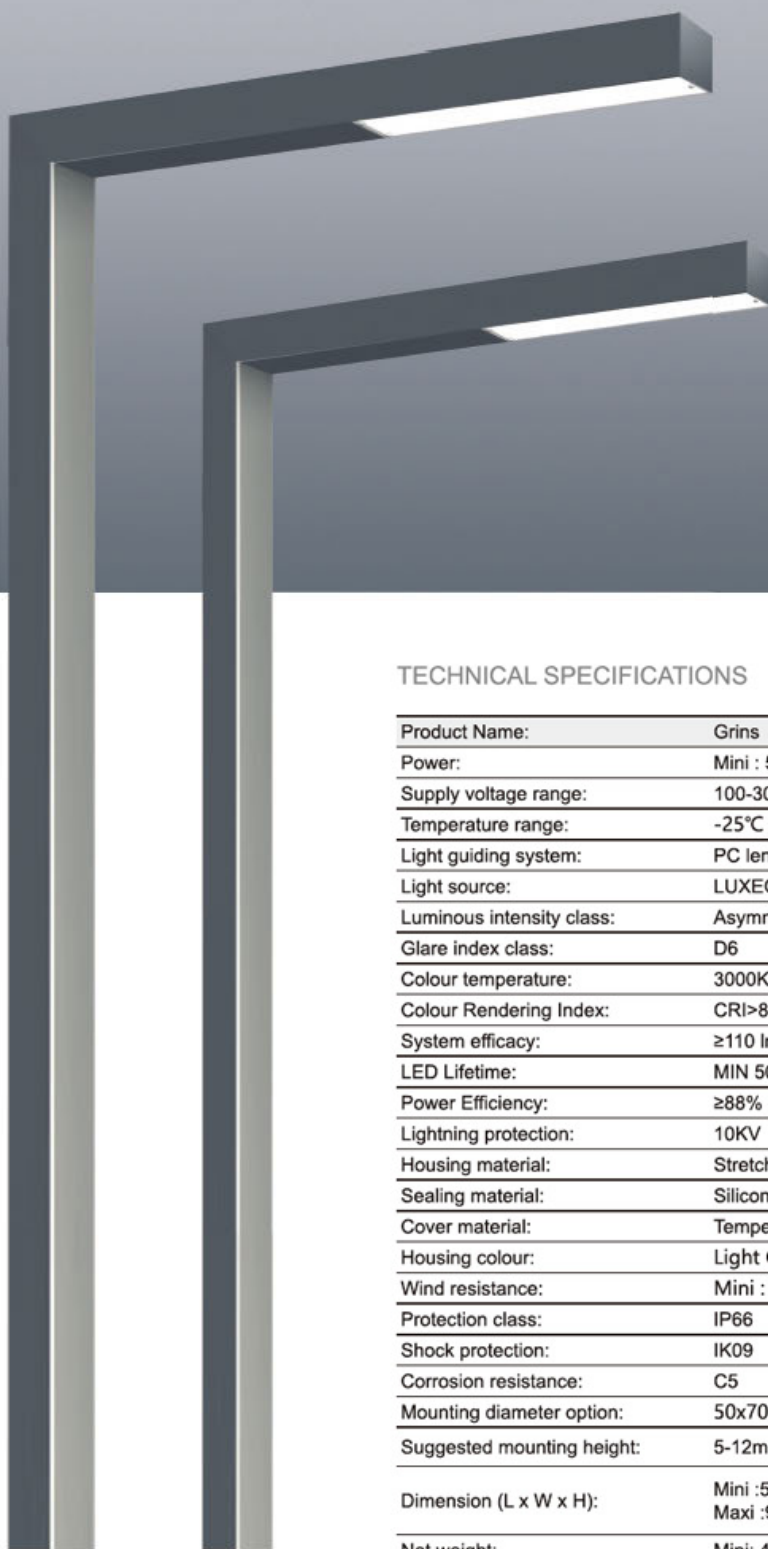


Order code	No.LED	Connected load (W)	Temperature color	Luminous flux of the luminaire(lm) -4000k(Tj=85°C)	CRI	Input voltage	IK	IP
14001	108	60	2700-6500K	7500	>80	100-305Vac	IK09	IP66
		75		9000				
		100		11500				
14002	120	75		9375				
		100		12000				
		120		13800				
14003	150	100		12500				
		120		14400				
		150		17250				

Conilux 5



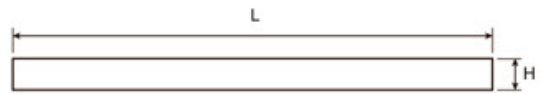
Order code	No.LED	Connected load (W)	Temperature color	Luminous flux of the luminaire(lm) -4000k(Tj=85°C)	CRI	Input voltage	IK	IP
14011	150	100	2700-6500K	12500	>80	100-305Vac	IK09	IP66
		125		15000				
		150		17250				
14012	200	75		9375				
		100		12000				
		120		13800				
14013	250	75		9375				
		100		12000				
		120		13800				



Grins

TECHNICAL SPECIFICATIONS

Product Name:	Grins
Power:	Mini : 50w / Midi:100w / Maxi:150w
Supply voltage range:	100-305VAC
Temperature range:	-25°C / +55°C
Light guiding system:	PC lenses
Light source:	LUXEON 5050
Luminous intensity class:	Asymmetrical: G1
Glare index class:	D6
Colour temperature:	3000K,4500K,6000K
Colour Rendering Index:	CRI>80
System efficacy:	≥110 lm/W
LED Lifetime:	MIN 50,000 hours
Power Efficiency:	≥88%
Lightning protection:	10KV
Housing material:	Stretch aluminum profile
Sealing material:	Silicone rubber
Cover material:	Tempered glass
Housing colour:	Light Grey,Dark Grey,Black(or specified color)
Wind resistance:	Mini : 0.078 m ² / Midi : 0.105 m ² / Maxi : 0.1413 m ²
Protection class:	IP66
Shock protection:	IK09
Corrosion resistance:	C5
Mounting diameter option:	50x70 (Square tube)
Suggested mounting height:	5-12m
Dimension (L x W x H):	Mini :520x150x90mm /Midi:700x150x90mm/ Maxi :942x150x90mm
Net weight:	Mini: 4.3kg Midi:5.4 Maxi:6.75kg



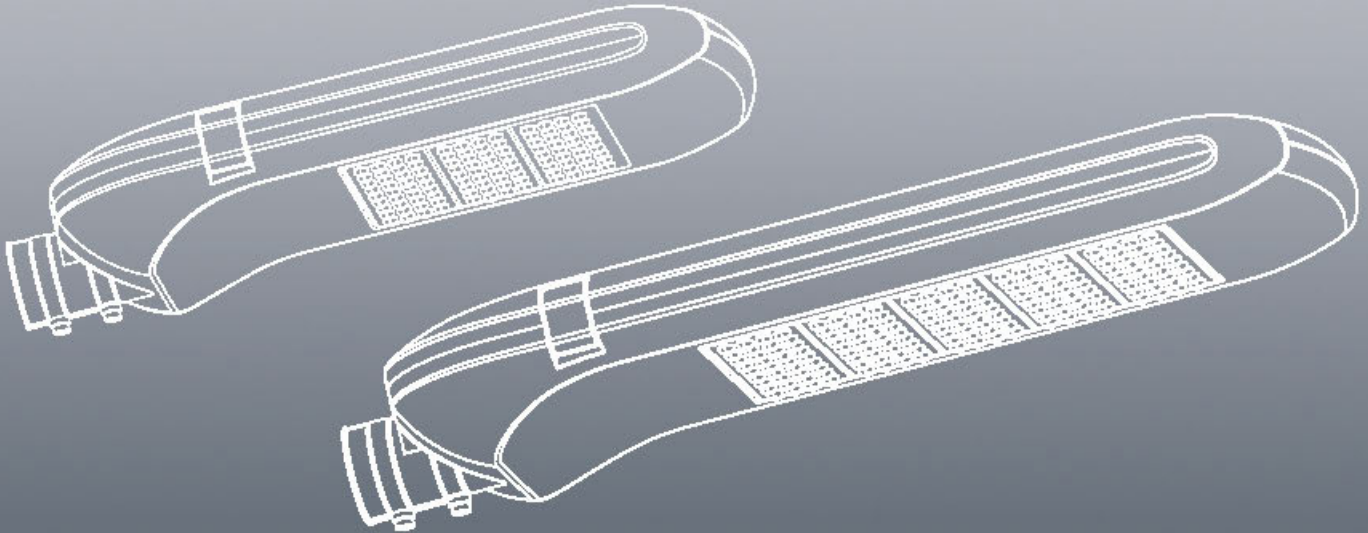
Model	L	W	H
A	520	150	90
B	700	150	90
C	942	150	90

Luxeon 3030

Order code	No.LED	Connected load (W)	Temperature color	Luminous flux of the luminaire(lm) -4000k(Tj=85°C)	CRI	Input voltage	IK	IP
13001	16	25	2700-6500K	3250	>80	100-305Vac	IK09	IP66
		50		6250				
		75		9000				
13002	36	50		6500				
		75		9375				
		100		12000				
13003	48	75		9750				
		120		15000				
		150		18000				

Luxeon 5050

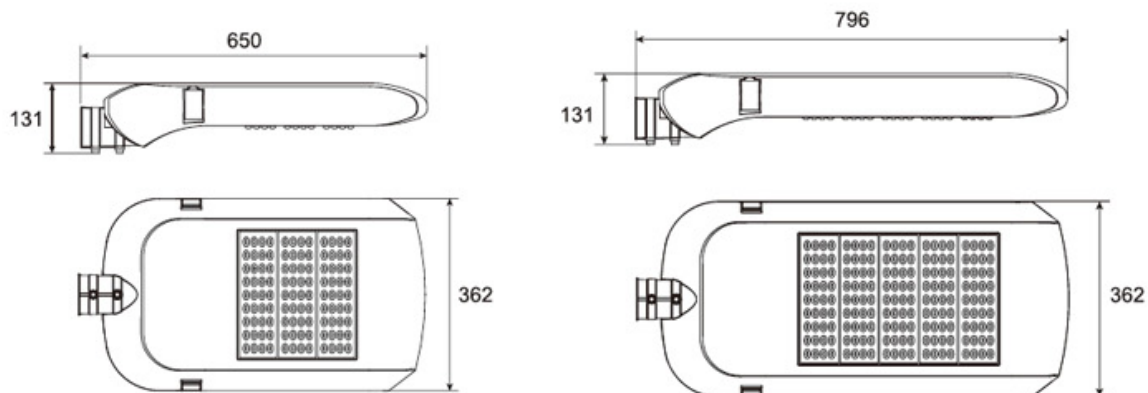
Order code	No.LED	Connected load (W)	Temperature color	Luminous flux of the luminaire(lm) -4000k(Tj=85°C)	CRI	Input voltage	IK	IP
13011	48	20	2700-6500K	2400	>80	100-305Vac	IK09	IP66
		30		3450				
		45		4950				
13012	64	30		3600				
		50		5750				
		60		6600				
13013	108	50		6000				
		75		8625				
		100		11000				
13014	144	75		9000				
		100		11500				
		120		13200				
13015	192	100		12000				
		150		17250				
		180		19800				



TECHNICAL SPECIFICATIONS

Product Name:	LARK
Power:	MINI:100w / MAXI:150w
Supply voltage range:	100-305VAC
Temperature range:	-25°C / +55°C
Light guiding system:	PC lenses
Light source:	LUXEON 3030
Luminous intensity class:	Asymmetrical: G1
Glare index class:	D6
Colour temperature:	2700K-6500K
Colour Rendering Index:	CRI>80
System efficacy:	≥110 lm/W
LED Lifetime:	MIN 50,000 hours
Power Efficiency:	≥92%
Lightning protection:	10KV
Housing material:	Die-cast aluminum
Sealing material:	Silicone rubber
Housing colour:	Light Grey,Dark Grey,Black(or specified color)
Wind resistance:	MINI : 0.0545 m ² / MAXI : 0.0667 m ²
Protection class:	IP66
Shock protection:	IK09
Corrosion resistance:	C5
Mounting diameter option:	Ø60mm
Suggested mounting height:	5-12m
Dimension (L x W x H):	MINI :650x362x131mm / MAXI :796x362x131mm
Net weight:	MINI : 5.4 KG / MAXI : 7.3 KG

Lark



Order code	No.LED	Connected load (W)	Temperature color	Luminous flux of the luminaire(lm) -4000k(Tj=85°C)	CRI	Input voltage	IK	IP
15001	40	20	2700-6500K	2500	>80	100-305Vac	IK09	IP66
		30		3600				
		40		4600				
15002	60	30		3750				
		45		5400				
		60		6900				
15003	80	40		5000				
		60		7200				
		80		9200				
15004	120	60		7500				
		75		9000				
		100		11500				
		120		13200				
15006	150	75		9375				
		120		14400				
		150		17250				
15007	200	100		12500				
		150		18000				
		200		23000				
15008	250	125		15625				
		180	21600					
		250	28750					



TECHNICAL SPECIFICATIONS

Product Name:	Sunlite
Power:	Mini:100w/maxi:200w
Supply voltage range:	100-305VAC
Temperature range:	-25°C /+55°C
Light guiding system:	PC lenses
Light source:	LUXEON 3030/CREE-XTE
Luminous intensity class:	Symmetrical:G2/Asymmetrical:G1
Glare index class:	D6
Colour temperature:	3000K-6500K
Colour Rendering Index:	CRI>80
System efficacy:	Luxeon:113lm/w Cree-XTE:119.8lm/w
LED Lifetime:	MIN 50,000hours
Power Efficiency:	92%
Current Adjustment Range:	350mA-700mA
Lightning protection:	10KV
Housing material:	Die-cast aluminum
Sealing material:	Silicone rubber
Cover material:	Tempered glass
Housing colour:	Light Grey.Dark Grey.Black(or specified color)
Wind resistance:	Mini:0.174m ² Maxi:0.198m ²
Protection class:	IP66
Shock protection:	IK09
Corrosion resistance:	C5
Mounting angle adjustment:	+/-15
Mounting diameter option:	Ø60mm
Suggested mounting height:	5-12m

Sunlite



Street



Urban

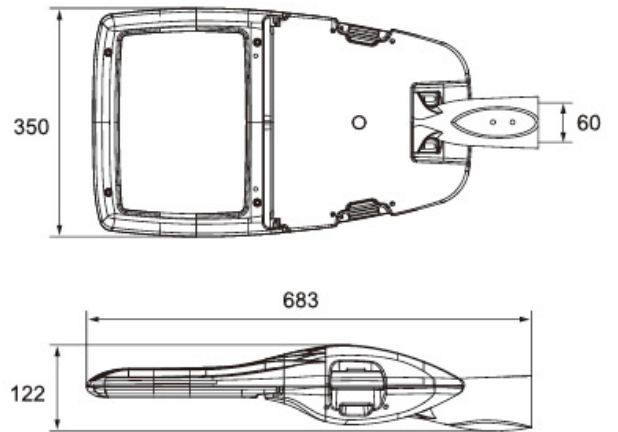


Industrial



Sports

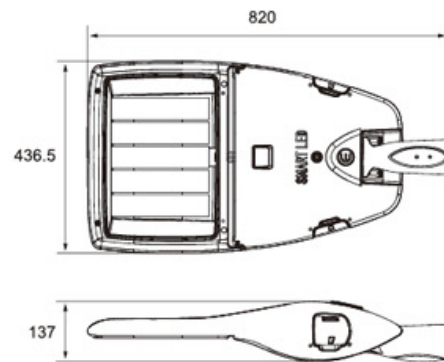
Sunlite-mini



LED chips: 3030

Order code	No.LED	Current	Connected load (W)	Temperature color	Luminous Flux of the luminaire(lm) -4000k(T=85 C)	CRI
1101	72	350ma	25	2700K-6500K	≥2750	>80
		700ma	50	2700K-6500K	≥5500	>80
		800ma	60	2700K-6500K	≥6600	>80
1102	108	350ma	38	2700K-6500K	≥4180	>80
		700ma	75	2700K-6500K	≥8250	>80
		800ma	90	2700K-6500K	≥9900	>80

Sunlite-maxi



LED chips: 3030

Order code	No.LED	Current	Connected load (W)	Temperature color	Luminous Flux of the luminaire(lm) -4000k(T=85 C)	CRI
1103	144	350ma	50	2700K-6500K	≥5500	>80
		700ma	100	2700K-6500K	≥11000	>80
		800ma	120	2700K-6500K	≥13200	>80
1104	180	350ma	63	2700K-6500K	≥6930	>80
		700ma	125	2700K-6500K	≥13750	>80
		800ma	150	2700K-6500K	≥16500	>80
1105	240	350ma	84	2700K-6500K	≥9240	>80
		700ma	165	2700K-6500K	≥18150	>80
		800ma	200	2700K-6500K	≥22000	>80



TECHNICAL SPECIFICATIONS

Product Name:	Superlux
Power:	Mini:100w/maxi:150w
Supply voltage range:	100-305VAC
Temperature range:	-25°C /+55°C
Light guiding system:	PC lenses
Light source:	LUXEON 3030/CREE-XTE
Luminous intensity class:	Symmetrical:G2/Asymmetrical:G1
Glare index class:	D6
Colour temperature:	3000K-6500K
Colour Rendering Index:	CRI>80
System efficacy:	Luxeon:113lm/w Cree-XTE:119.8lm/w
LED Lifetime:	MIN 50,000hours
Power Efficiency:	92%
Current Adjustment Range:	350mA-700mA
Lightning protection:	10KV
Housing material:	Die-cast aluminum
Sealing material:	Silicone rubber
Cover material:	Tempered glass
Housing colour:	Light Grey.Dark Grey.Black(or specified color)
Wind resistance:	Mini:0.174m ² Midi:0.198m ²
Protection class:	IP66
Shock protection:	IK09
Corrosion resistance:	C5
Mounting angle adjustment:	+/-15
Mounting diameter option:	Ø60mm
Suggested mounting height:	5-12m

Superlux



Street



Urban

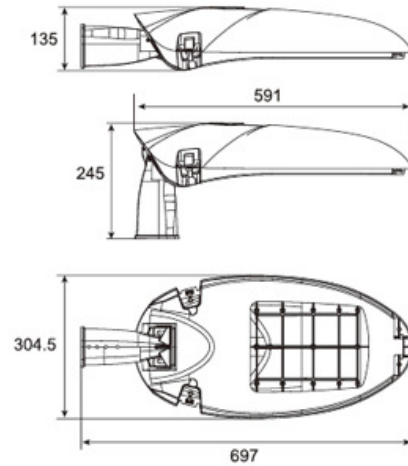


Industrial



Sports

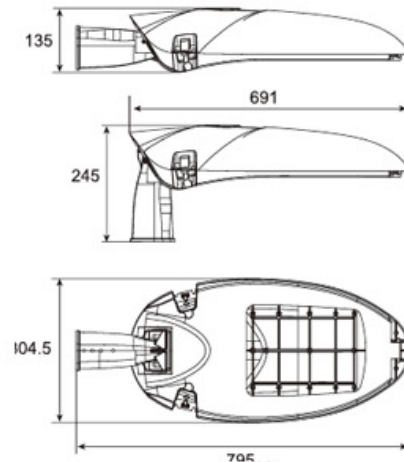
Superlux-mini



LED chips: 3030

Order code	No.LED	Current	Connected load (W)	Temperature color	Luminous Flux of the luminaire(lm) -4000k(T=85 C)	CRI
1201	72	350ma	25	2700K-6500K	≥2750	>80
		700ma	50	2700K-6500K	≥5500	>80
		800ma	60	2700K-6500K	≥6600	>80
1202	108	350ma	38	2700K-6500K	≥4180	>80
		700ma	75	2700K-6500K	≥8250	>80
		800ma	90	2700K-6500K	≥9900	>80

Superlux-maxi



LED chips: 3030

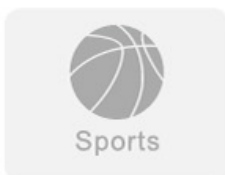
Order code	No.LED	Current	Connected load (W)	Temperature color	Luminous Flux of the luminaire(lm) -4000k(T=85 C)	CRI
1203	144	350ma	50	2700K-6500K	≥5500	>80
		700ma	100	2700K-6500K	≥11000	>80
		800ma	120	2700K-6500K	≥13200	>80
1204	180	350ma	63	2700K-6500K	≥6930	>80
		700ma	125	2700K-6500K	≥13750	>80
		800ma	150	2700K-6500K	≥16500	>80



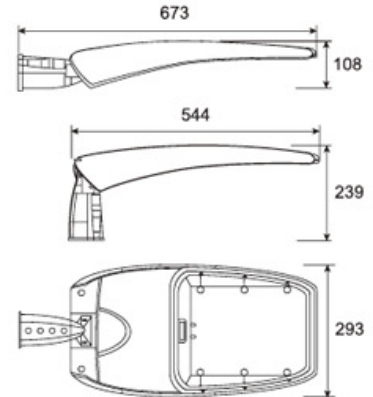
TECHNICAL SPECIFICATIONS

Product Name:	Paladin
Power:	Mini:100w/maxi:150w
Supply voltage range:	100-305VAC
Temperature range:	-25°C /+55°C
Light guiding system:	PC lenses
Light source:	LUXEON 3030/CREE-XTE
Luminous intensity class:	Symmetrical:G2/Asymmetrical:G1
Glare index class:	D6
Colour temperature:	3000K-6500K
Colour Rendering Index:	CRI>80
System efficacy:	Luxeon:113lm/w Cree-XTE:119.8lm/w GREE XP-G3:122.9lm/w
LED Lifetime:	MIN 50,000hours
Power Efficiency:	92%
Current Adjustment Range:	350mA-700mA
Lightning protection:	10KV
Housing material:	Die-cast aluminum
Sealing material:	Silicone rubber
Cover material:	Tempered glass
Housing colour:	Light Grey.Dark Grey.Black(or specified color)
Wind resistance:	Mini:0.727m ² Midi:0.11m ²
Protection class:	IP66
Shock protection:	IK09
Corrosion resistance:	C5
Mounting diameter option:	Ø60mm
Suggested mounting height:	5-12m

Paladin



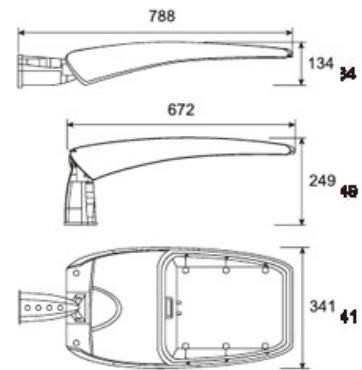
Paladin-mini



LED chips: 3030

Order code	No.LED	Current	Connected load (W)	Temperature color	Luminous Flux of the luminaire(lm) -4000k(T=85 C)	CRI
1301	72	350ma	25	2700K-6500K	≥2750	>80
		700ma	50	2700K-6500K	≥5500	>80
		800ma	60	2700K-6500K	≥6600	>80
1302	108	350ma	38	2700K-6500K	≥4180	>80
		700ma	75	2700K-6500K	≥8250	>80
		800ma	90	2700K-6500K	≥9900	>80

Paladin-maxi



LED chips: 3030

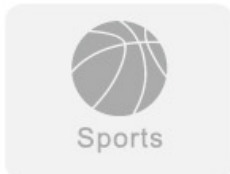
Order code	No.LED	Current	Connected load (W)	Temperature color	Luminous Flux of the luminaire(lm) -4000k(T=85 C)	CRI
1303	144	350ma	50	2700K-6500K	≥5500	>80
		700ma	100	2700K-6500K	≥11000	>80
		800ma	120	2700K-6500K	≥13200	>80
1304	180	350ma	63	2700K-6500K	≥6930	>80
		700ma	125	2700K-6500K	≥13750	>80
		800ma	150	2700K-6500K	≥16500	>80



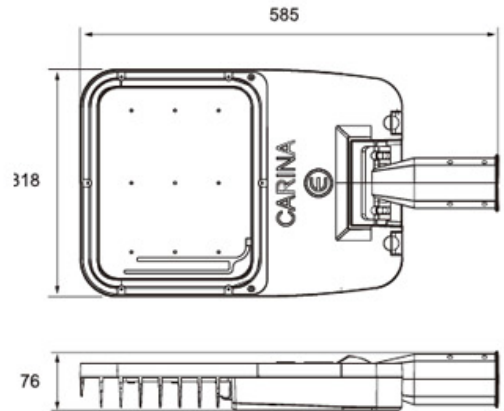
TECHNICAL SPECIFICATIONS

Product Name:	Carina
Power:	Mini:100w/maxi:150w
Supply voltage range:	100-305VAC
Temperature range:	-25°C /+55°C
Light guiding system:	PC lenses
Light source:	LUXEON 3030/CREE-XTE
Luminous intensity class:	Symmetrical:G2/Asymmetrical:G1
Glare index class:	D6
Colour temperature:	3000K-6500K
Colour Rendering Index:	CRI>80
System efficacy:	Luxeon:113lm/w Cree-XTE:119.8lm/w GREE XP-G3:122.9lm/w
LED Lifetime:	MIN 50,000hours
Power Efficiency:	92%
Current Adjustment Range:	350mA-700mA
Lightning protection:	10KV
Housing material:	Die-cast aluminum
Sealing material:	Silicone rubber
Cover material:	Tempered glass
Housing colour:	Light Grey.Dark Grey.Black(or specified color)
Wind resistance:	Mini:0.045m ² Midi:0.052m ²
Protection class:	IP66
Shock protection:	IK09
Corrosion resistance:	C5
Mounting diameter option:	Ø60mm
Suggested mounting height:	5-12m
Dimension(L*W*H):	Mini:585*318*76mm Midi:685*318*81mm

Carina



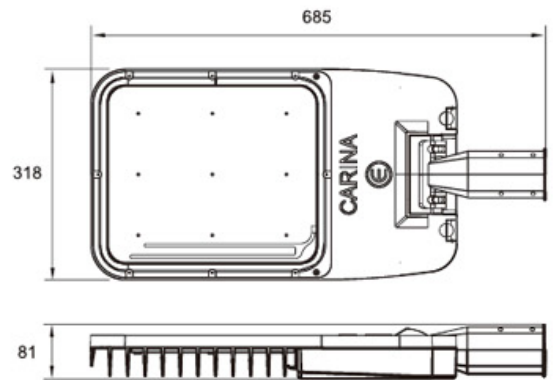
Carina-mini



LED chips: 3030

Order code	No.LED	Current	Connected load (W)	Temperature color	Luminous Flux of the luminaire(lm) -4000k(T=85 C)	CRI
1401	36	350ma	13	2700K-6500K	≥2750	>80
		700ma	25	2700K-6500K	≥5500	>80
		800ma	30	2700K-6500K	≥6600	>80
1402	72	350ma	25	2700K-6500K	≥4180	>80
		700ma	50	2700K-6500K	≥8250	>80
		800ma	60	2700K-6500K	≥9900	>80
1403	108	350ma	38	2700K-6500K	≥5500	>80
		700ma	75	2700K-6500K	≥11000	>80
		800ma	90	2700K-6500K	≥13200	>80

Carina-maxi



LED chips: 3030

Order code	No.LED	Current	Connected load (W)	Temperature color	Luminous Flux of the luminaire(lm) -4000k(T=85 C)	CRI
1404	144	350ma	50	2700K-6500K	≥6930	>80
		700ma	100	2700K-6500K	≥13750	>80
		800ma	120	2700K-6500K	≥16500	>80
1405	180	350ma	63	2700K-6500K	≥9240	>80
		700ma	125	2700K-6500K	≥18150	>80
		800ma	150	2700K-6500K	≥22000	>80



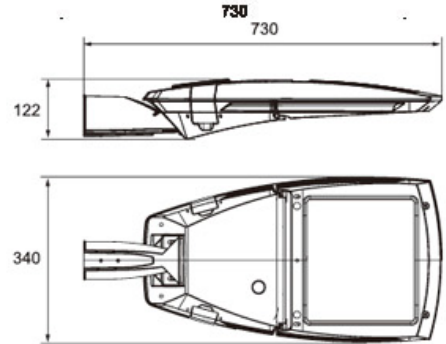
TECHNICAL SPECIFICATIONS

Product Name:	Sakhalin
Power:	MINI 100W/MAXI 200W
Supply voltage range:	100-305VAC
Temperature range:	-25°C /+55°C
Light guiding system:	PC lenses
Light source:	LUXEON 3030/CREE-XTE
Luminous intensity class:	Symmetrical:G2/Asymmetrical:G1
Glare index class:	D6
Colour temperature:	3000K-6500K
Colour Rendering Index:	CRI>80
System efficacy:	Luxeon:113lm/w Cree-XTE:119.8lm/w GREE XP-G3:122.9lm/w
LED Lifetime:	MIN 50,000hours
Power Efficiency:	92%
Current Adjustment Range:	350mA-700mA
Lightning protection:	10KV
Housing material:	Die-cast aluminum
Sealing material:	Silicone rubber
Cover material:	Tempered glass
Housing colour:	Light Grey.Dark Grey.Black(or specified color)
Wind resistance:	0.11m ²
Protection class:	IP66
Shock protection:	IK09
Corrosion resistance:	C5
Suggested mounting height:	5-12m

Sakhalin



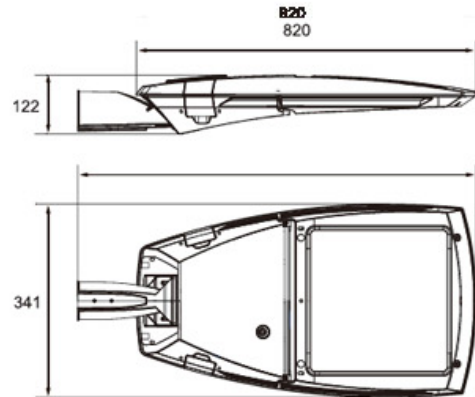
Sakhalin -mini



LED chips: 3030

Order code	No.LED	Current	Connected load (W)	Temperature color	Luminous Flux of the luminaire(lm) -4000k(T=85℃)	CRI
1501	72	350ma	25	2700K-6500K	≥2750	>80
		700ma	50	2700K-6500K	≥5500	>80
		800ma	60	2700K-6500K	≥6600	>80
1502	108	350ma	38	2700K-6500K	≥4180	>80
		700ma	75	2700K-6500K	≥8250	>80
		800ma	90	2700K-6500K	≥9900	>80

Sakhalin -maxi



LED chips: 3030

Order code	No.LED	Current	Connected load (W)	Temperature color	Luminous Flux of the luminaire(lm) -4000k(T=85℃)	CRI
1503	144	350ma	50	2700K-6500K	≥5500	>80
		700ma	100	2700K-6500K	≥11000	>80
		800ma	120	2700K-6500K	≥13200	>80
1504	180	350ma	63	2700K-6500K	≥6930	>80
		700ma	125	2700K-6500K	≥13750	>80
		800ma	150	2700K-6500K	≥16500	>80
1505	240	350ma	84	2700K-6500K	≥9240	>80
		700ma	165	2700K-6500K	≥18150	>80
		800ma	200	2700K-6500K	≥22000	>80

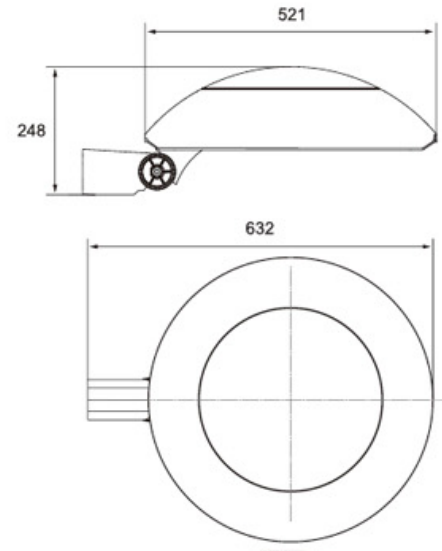


TECHNICAL SPECIFICATIONS

Product Name:	Ston
Power:	100W/120W/150W
Supply voltage range:	100-305VAC
Temperature range:	-25°C /+55°C
Light guiding system:	PC lenses
Light source:	LUXEON 3030
Luminous intensity class:	Symmetrical:G2/Asymmetrical:G1
Glare index class:	D6
Colour temperature:	3000K-6500K
Colour Rendering Index:	CRI>80
System efficacy:	Luxeon:113lm/w Cree-XTE:119.8lm/w GREE XP-G3:121lm/w
LED Lifetime:	MIN 50,000hours
Power Efficiency:	92%
Current Adjustment Range:	100W 1.33-2.66A /150W 2.1-4.17A
Lightning protection:	10KV
Housing material:	Die-cast aluminum
Sealing material:	Silicone rubber
Cover material:	Tempered glass
Housing colour:	Light Grey.Dark Grey.Black(or specified color)
Wind resistance:	0.144m ²
Protection class:	IP66
Shock protection:	IK09
Corrosion resistance:	C5
Mounting diameter option:	Ø60mm
Suggested mounting height:	5-12m
Dimension(L*W*H):	Ø521mm,L*H:632*228mm

Ston A





LED chips: 3030

Order code	No.LED	Current	Connected load (W)	Temperature color	Luminous Flux of the luminaire(lm) -4000k(T=85℃)	CRI
1601	108	350ma	38	2700K-6500K	≥4180	>80
		700ma	75	2700K-6500K	≥8250	>80
		800ma	90	2700K-6500K	≥9900	>80
1602	144	350ma	50	2700K-6500K	≥5500	>80
		700ma	100	2700K-6500K	≥11000	>80
		800ma	120	2700K-6500K	≥13200	>80
1603	192	350ma	67	2700K-6500K	≥6930	>80
		700ma	133	2700K-6500K	≥13750	>80
		800ma	160	2700K-6500K	≥16500	>80



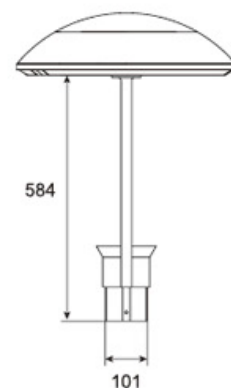
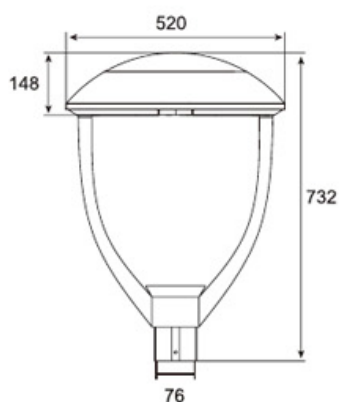


TECHNICAL SPECIFICATIONS

Product Name:	Ston B
Power:	100W/120W/150W
Supply voltage range:	100-305VAC
Temperature range:	-25°C /+55°C
Light guiding system:	PC lenses
Light source:	LUXEON 3030
Luminous intensity class:	Symmetrical:G2/Asymmetrical:G1
Glare index class:	D6
Colour temperature:	3000K-6500K
Colour Rendering Index:	CRI>80
System efficacy:	Luxeon:113lm/w Cree-XTE:119.8lm/w GREE XP-G3:121lm/w
LED Lifetime:	MIN 50,000hours
Power Efficiency:	92%
Current Adjustment Range:	100W 1.33-2.66A/150W 2.1-4.17A
Lightning protection:	10KV
Housing material:	Die-cast aluminum
Sealing material:	Silicone rubber
Cover material:	Tempered glass
Housing colour:	Light Grey.Dark Grey.Black(or specified color)
Wind resistance:	0.144m ²
Protection class:	IP66
Shock protection:	IK09
Corrosion resistance:	C5
Mounting diameter option:	Ø76mm
Suggested mounting height:	5-12m
Dimension(L*W*H):	Ø521mm, L*H:732*520mm

Ston B





LED chips: 3030

Order code	No.LED	Current	Connected load (W)	Temperature color	Luminous Flux of the luminaire(lm) -4000k(T=85 C)	CRI
1701	108	350ma	38	2700K-6500K	≥4180	>80
		700ma	75	2700K-6500K	≥8250	>80
		800ma	90	2700K-6500K	≥9900	>80
1702	144	350ma	50	2700K-6500K	≥5500	>80
		700ma	100	2700K-6500K	≥11000	>80
		800ma	120	2700K-6500K	≥13200	>80
1703	192	350ma	67	2700K-6500K	≥6930	>80
		700ma	133	2700K-6500K	≥13750	>80
		800ma	160	2700K-6500K	≥16500	>80

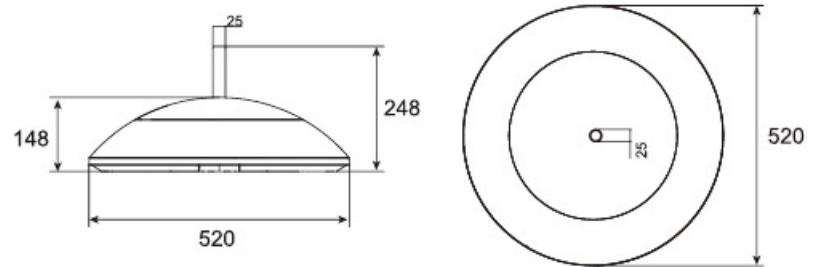


TECHNICAL SPECIFICATIONS

Product Name:	Ston C
Power:	100W/120W/150W
Supply voltage range:	100-305VAC
Temperature range:	-25°C /+55°C
Light guiding system:	PC lenses
Light source:	LUXEON 3030
Luminous intensity class:	Symmetrical:G2/Asymmetrical:G1
Glare index class:	D6
Colour temperature:	3000K-6500K
Colour Rendering Index:	CRI>80
System efficacy:	Luxeon:113lm/w Cree-XTE:119.8lm/w GREE XP-G3:121lm/w
LED Lifetime:	MIN 50,000hours
Power Efficiency:	92%
Current Adjustment Range:	100W 1.33-2.66A /150W 2.1-4.17A
Lightning protection:	10KV
Housing material:	Die-cast aluminum
Sealing material:	Silicone rubber
Cover material:	Tempered glass
Housing colour:	Light Grey.Dark Grey.Black(or specified color)
Wind resistance:	0.144m ²
Protection class:	IP66
Shock protection:	IK09
Corrosion resistance:	C5
Mounting diameter option:	Ø25mm,Ø33mm
Suggested mounting height:	5-12m
Dimension(L*W*H):	Ø521mm,H:248mm

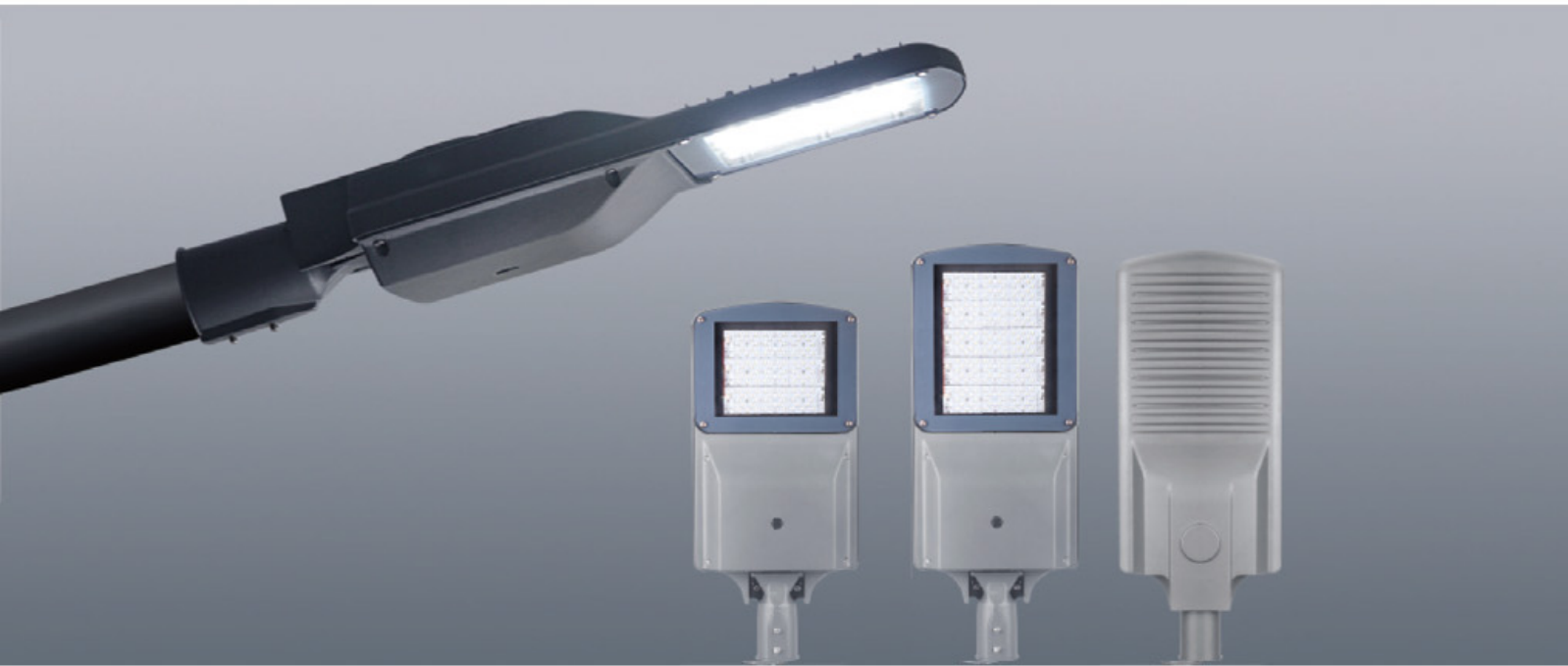
Ston C





LED chips: 3030

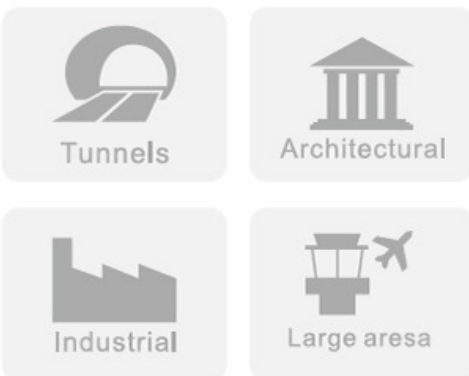
Order code	No.LED	Current	Connected load (W)	Temperature color	Luminous Flux of the luminaire(lm) -4000k(T=85 C)	CRI
1801	108	350ma	38	2700K-6500K	≥4180	>80
		700ma	75	2700K-6500K	≥8250	>80
		800ma	90	2700K-6500K	≥9900	>80
1802	144	350ma	50	2700K-6500K	≥5500	>80
		700ma	100	2700K-6500K	≥11000	>80
		800ma	120	2700K-6500K	≥13200	>80
1803	192	350ma	67	2700K-6500K	≥6930	>80
		700ma	133	2700K-6500K	≥13750	>80
		800ma	160	2700K-6500K	≥16500	>80



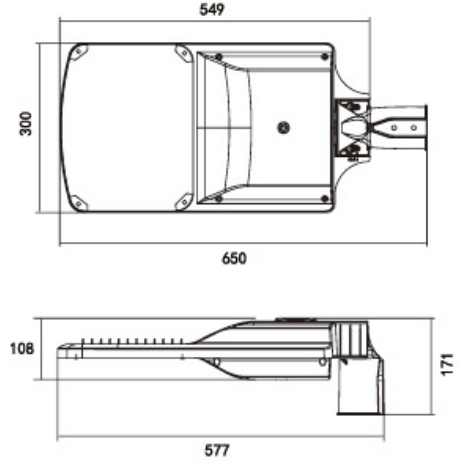
TECHNICAL SPECIFICATIONS

Product Name:	Cloud
Power:	Mini:120w/maxi:200w
Supply voltage range:	100-305VAC
Temperature range:	-25°C / +55°C
Light guiding system:	PC lenses
Light source:	LUXEON 3030/CREE-XTE
Luminous intensity class:	Symmetrical: G2
Glare index class:	D6
Colour temperature:	3000K-6500K
Colour Rendering Index:	CRI>80
System efficacy:	Luxeon:113lm/w Cree-XTE: 119.8lm/w CREE XP-G3:122.9lm/w
LED Lifetime:	MIN 50,000 hours
Power Efficiency:	92%
Current Adjustment Range:	350mA-700mA
Lightning protection:	10KV
Housing material:	Die-cast aluminum
Sealing material:	Silicone rubber
Cover material:	Tempered glass
Housing colour:	Light Grey,Dark Grey,Black(or specified color)
Wind resistance:	Mini:0.0405m ² Maxi:0.043m ²
Protection class:	IP66
Shock protection:	IK09
Corrosion resistance:	C5
Mounting angle adjustment:	+/- 15°
Mounting diameter option:	Ø60mm
Suggested mounting height:	5-12m

Cloud



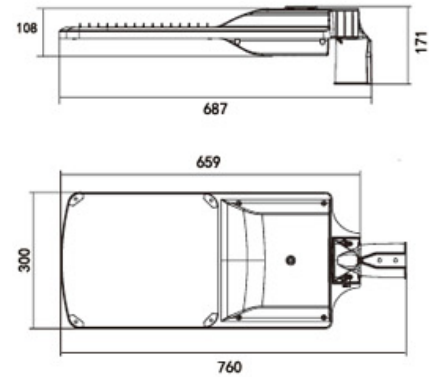
Cloud-mini



LED chips: 3030

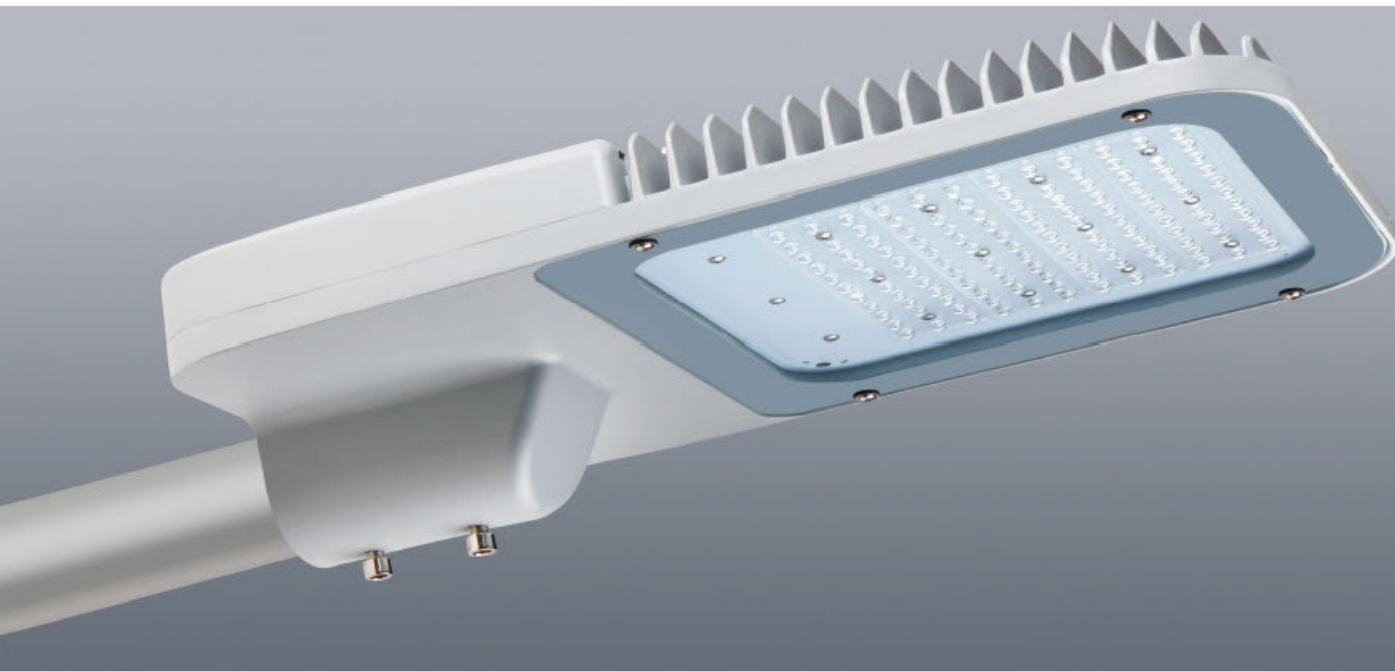
Order code	power(W)	Temperature color	Luminous Flux of the luminaire(lm) -4000k(T=85°C)	CRI	Input voltage	IK	IP
11001	80	2700K-6500K	≥8800	>80	100-305Vac	IK09	IP66
11002	90	2700K-6500K	≥9900	>80	100-305Vac	IK09	IP66
11003	120	2700K-6500K	≥13200	>80	100-305Vac	IK09	IP66

Cloud-maxi



LED chips: 3030

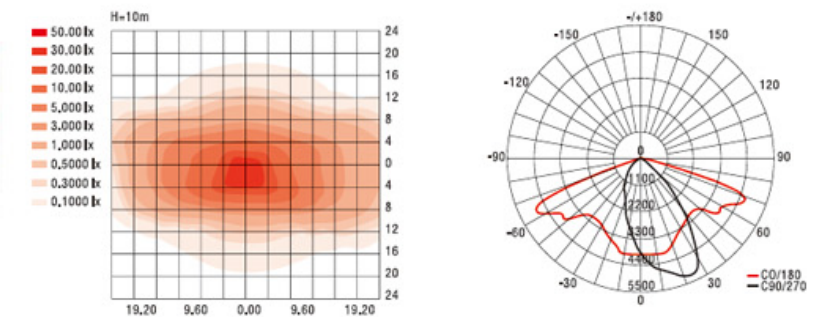
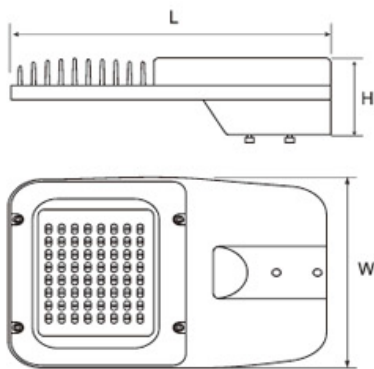
Order code	power(W)	Temperature color	Luminous Flux of the luminaire(lm) -4000k(T=85°C)	CRI	Input voltage	IK	IP
11004	133	2700K-6500K	≥14630	>80	100-305Vac	IK09	IP66
11005	150	2700K-6500K	≥16500	>80	100-305Vac	IK09	IP66
11006	200	2700K-6500K	≥22000	>80	100-305Vac	IK09	IP66



TECHNICAL SPECIFICATIONS

Model	A	B	C	D	E
LED Power	30W~100W	100W~150W	150W~180W	180W~240W	240W~400W
Light Source	Philips,Cree 3030				
Supply voltage range	100~305VAC				
Frequency Range	50~60Hz				
Power Factor	>0.95				
LED Junction Temperature	<60°C (Ta=25°C)				
Lamp Body Temperature	<50°C (Ta=25°C)				
Color Temperature	2700-6500k				
Color Rendering Index	CRI>70				
Lamp Luminous Flux	120lm/w				
System Efficiency	>90%				
Work Temperature	-25°C ~50°C				
Light guiding system	PC Lenses				
Housing material	Die-cast aluminum				
Safety class	Class II				
Shock protection	IK10				
Life	>50000H				
IP Rating	IP65				
N.G(kg)	5.0	6.2	5.7	7.0	11.0
W.G(kg)	5.5	6.8	6.3	7.6	12.0
Carton Size(mm)	440*335*180	550*335*180	620*335*180	720*335*180	880*335*180

VENUS



AC85~265V	CRI >75	PF >0,95	10%~90%	+50°C -35°C	50,000h
-----------	-------------------	--------------------	---------	----------------	---------

SIZE	L	W	H
A	422	320	140
B	522	320	140
C	600	320	140
D	700	320	140
E	853	320	140

APPLICATION AREAS

Urban main roads,secondary roads,commercial squares,industrial areas,large and medium-sized palygrounds.

Highway and other outdoor road,station,pier and other places lighting

PRODUCT DESCRIPTION

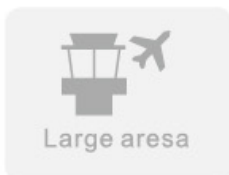
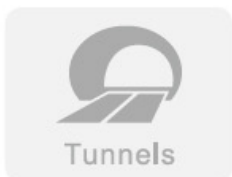
High strength aluminum alloy die casting shell,impact level can reach IK09;High-performance patent potical lens,light transmittance was 95%,no glare.A full set of stainless steel fasteners,convenient installation,free maintenance;Adopted quick plug type electrical connection in the design,maintenance more convenient and safe.

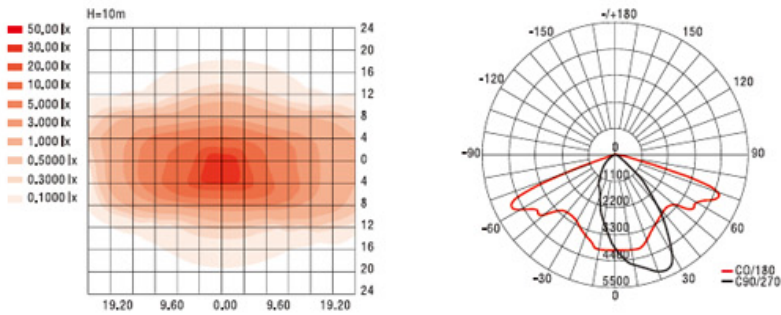


TECHNICAL SPECIFICATIONS

Product Name:	MINI	MIDI	MAXI
LED Power	60W~90W	100W~150W	180W~300W
Light Source	Philips,Cree 3030		
Supply voltage range	100~305VAC		
Frequency Range	50~60Hz		
Power Factor	>0.95		
LED Junction Temperature	<60°C (Ta=25°C)		
Lamp Body Temperature	<50°C (Ta=25°C)		
Color Temperature	2700-6500k		
Color Rendering Index	CRI>70		
Lamp Luminous Flux	120lm/w		
System Efficiency	>90%		
Work Temperature	-25°C ~50°C		
Light guiding system	PC Lenses		
Housing material	Die-cast aluminum		
Safety class	Class II		
Shock protection	IK10		
Life	>50000H		
IP Rating	IP65		
N.G(kg)	3.6	4.4	8.0
W.G(kg)	4.1	5.0	8.8
Carton Size(mm)	530*275*155	530*360*155	900*360*155

ROSA





APPLICATION AREAS

Urban main roads, secondary roads, commercial squares, industrial areas, large and medium-sized playgrounds.

Highway and other outdoor road, station, pier and other places lighting



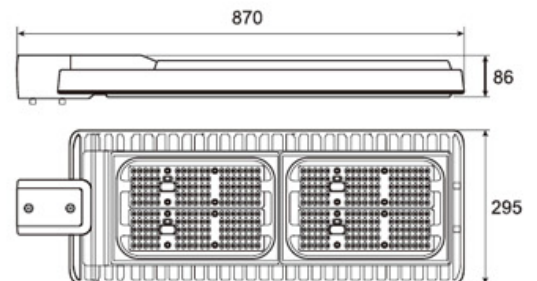
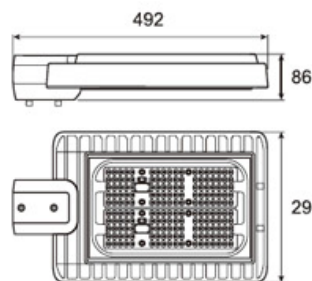
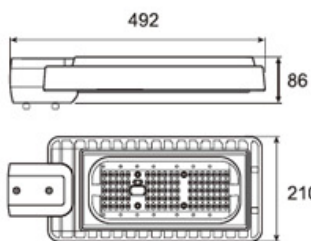
MINI



MIDI



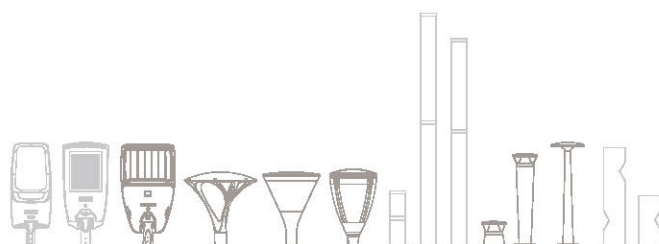
MAXI



PRODUCT DESCRIPTION

High strength aluminum alloy die casting shell, impact level can reach IK09; High-performance patent optical lens, light transmittance was 95%, no glare. A full set of stainless steel fasteners, convenient installation, free maintenance; Adopted quick plug type electrical connection in the design, maintenance more convenient and safe.

nct



www.nctled.com