

EM|5



Batch freezer

Emerymark's most compact batch freezer, this machine is ideal for small-scale production or kickstarting your frozen dessert business. This is a viable option for even the smallest of spaces, requiring only 3 square feet of counter top space. A variety of color options are available to match your look*.

In approximately 12 minutes, 5 liters or 5.3 quarts are produced. The machine is easy to operate as it works just by turning a knob.

The product is easy to extract and leaves minimal residue inside the barrel. The blades of Emerymark beaters have a unique helical design, which prolongs the life of both the beater and of the freezing cylinder.



High-capacity compressor provides energy-efficient cooling



Cylinder with 5 liter/5.3 quart /1.3 gallon capacity of the finished product



Simple operation with a knob



Easy extraction of the product leaving minimal residue inside



Knob to increase or decrease the beater speed from 117 to 175 RPM to make some products.



Warranty: 2-year parts & 5-year compressor, with lifetime support.



Color machines with additional charge

*This data may vary without prior notice.



Intertek



Intertek

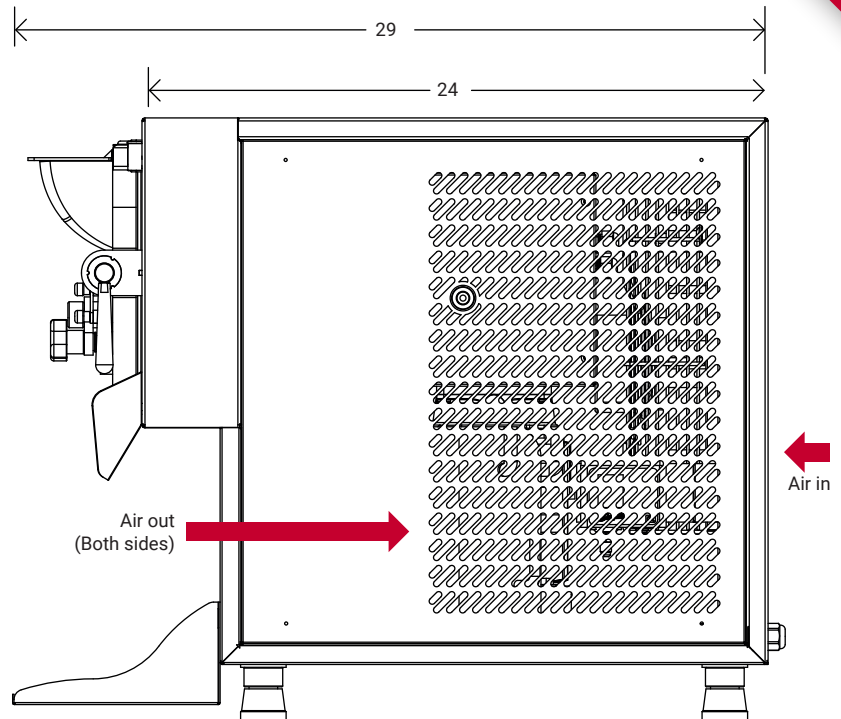
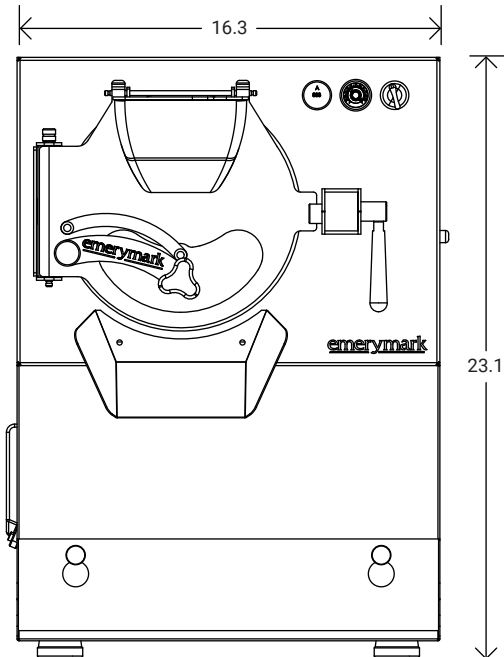
emerymark[®]
USA

Emerymark USA
Gainesville, Florida
www.emerymarkusa.com
775-283-8274 (English) 775-682-0763 (Spanish)
sales@ices.cool ventas@ices.cool

EM|5



*Inch sizes



*This equipment requires ventilation. The minimum free space around is 7.8 inch / 20 cm.

Dimensions

Width	16.3" / 41.5 cm
Depth	29" / 73.8 cm
Height	23.1" / 58.9 cm
Weight	228.1 lb / 103.5 kg

Cylinder

Capacity	5 lt. / 5.3 qt. / 1.32 gal
Production	5 lt. / 5.3 qt. / 1.32 gal. in 12 min.

Refrigerant

Type	404 A
------	-------

Installation

Fuse size	25 AMPS
Power cord	12 AWG
Voltage	110 VAC

Compressor

Quantity	Single-phase
Power	1
Consumption	1 HP
	0.66 KW

Beater shaft

Quantity	Single-phase
Power	1
Consumption	1 HP
RPM Range	0.75 KW
	117 - 175 RPM

Fan (air)

Quantity	Single-phase
Power	1
Consumption	0.5 HP
	0.22 KW

Air cooled

Single phase

*This data may vary without prior notice.

*Labor not included. See detailed warranty terms.

emerymark[®]
USA

Emerymark USA
Gainesville, Florida
www.emerymarkusa.com
775-283-8274 (English) 775-682-0763 (Spanish)
sales@ices.cool ventas@ices.cool