

4

3

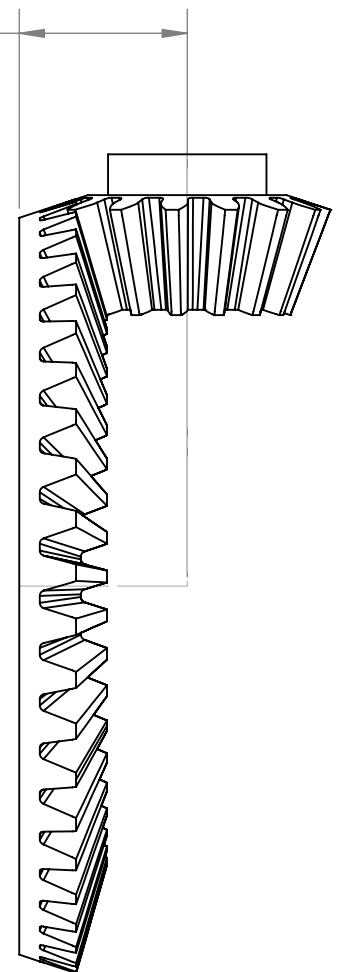
2

1

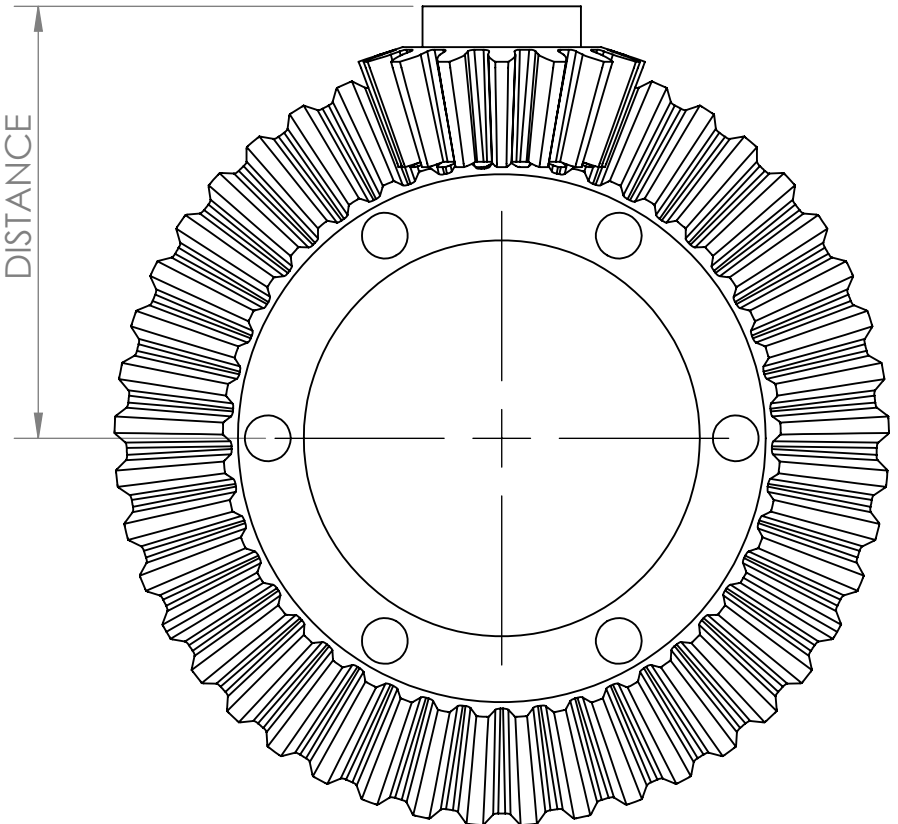
B

B

0.583  
MOUNTING  
DISTANCE



1.500  
MOUNTING  
DISTANCE



A

A

4

3

2

1

4

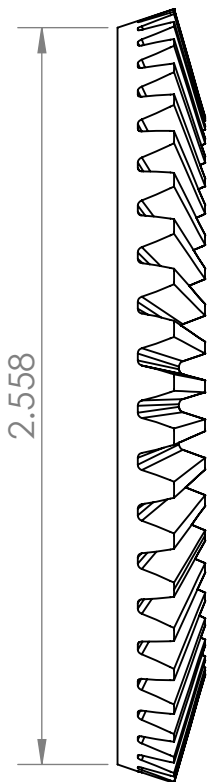
3

2

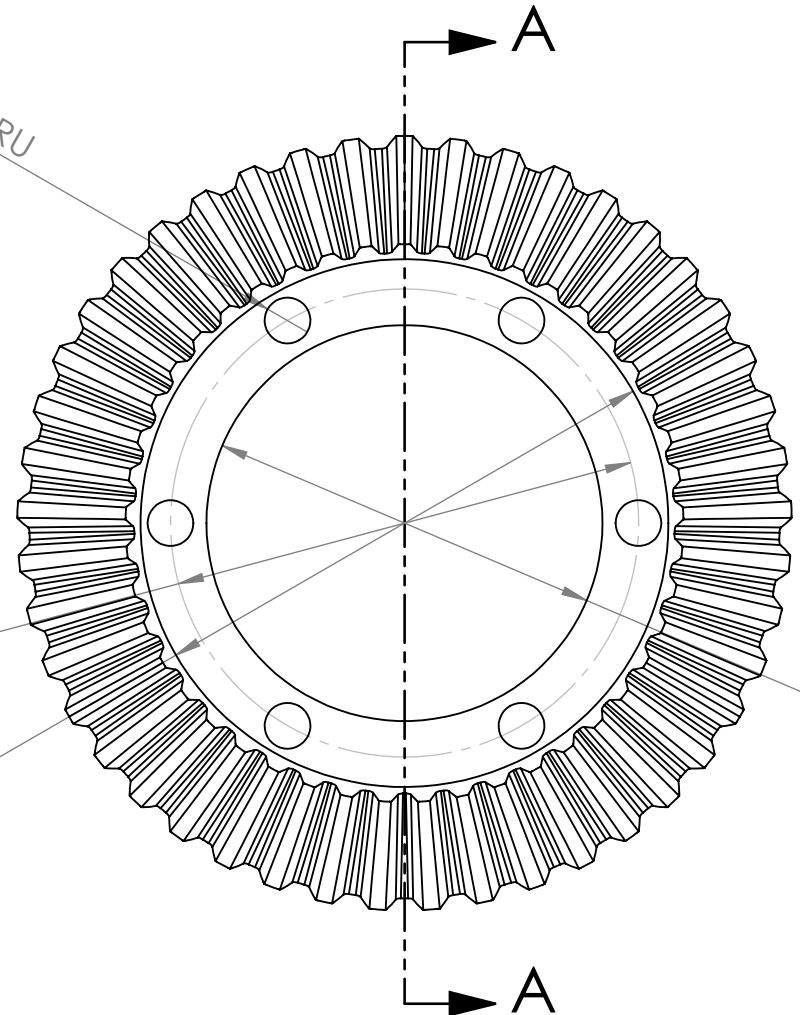
1

B

B



6 X 10-32 THRU



1.625

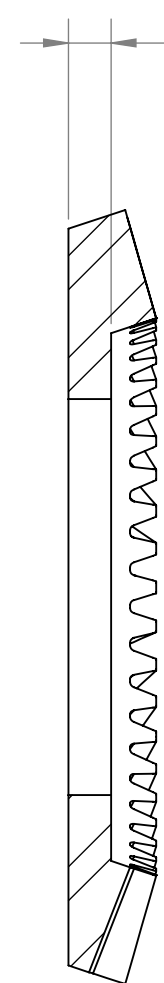
1.833

1.375 LOCATING BORE

A

A

0.148



SECTION A-A

A

A

4

3

2

1

4

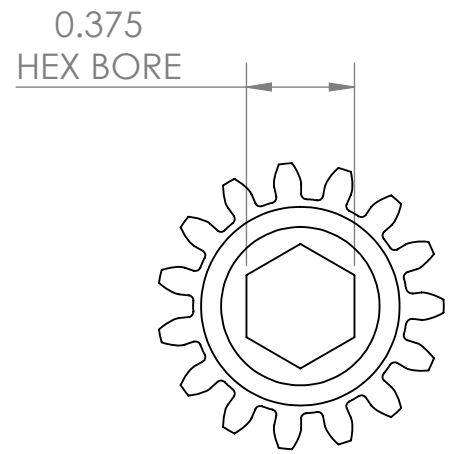
3

2

1

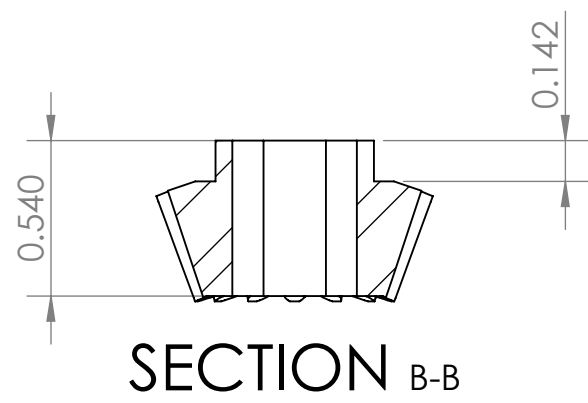
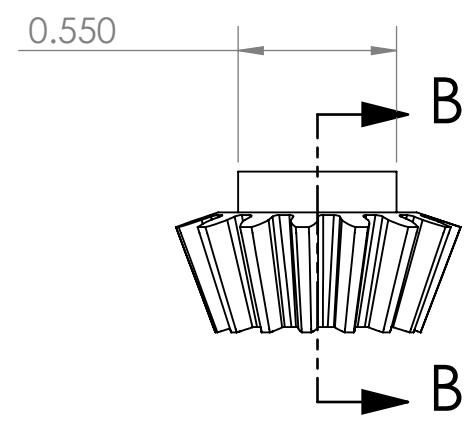
B

B



A

A



4

3

2

1