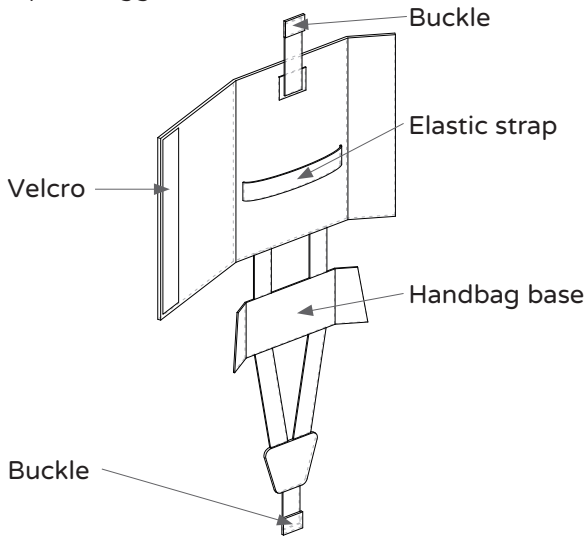
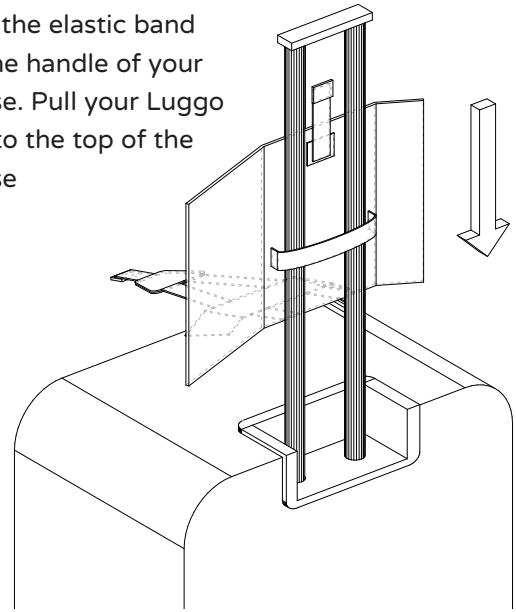


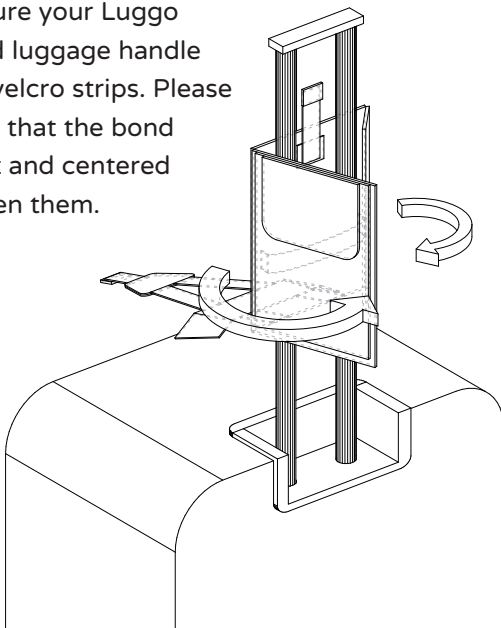
1. Open your Luggo as shown



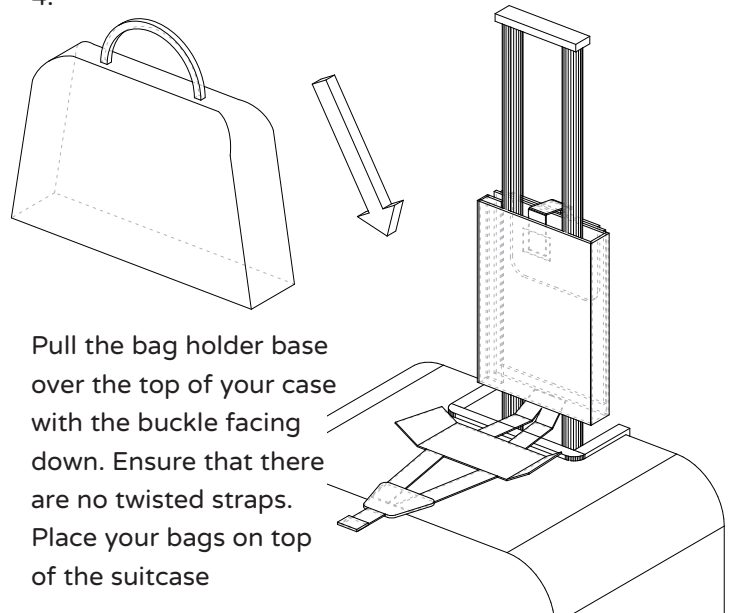
2. Pull the elastic band over the handle of your suitcase. Pull your Luggo down to the top of the suitcase



3. Secure your Luggo around luggage handle using velcro strips. Please ensure that the bond is tight and centered between them.

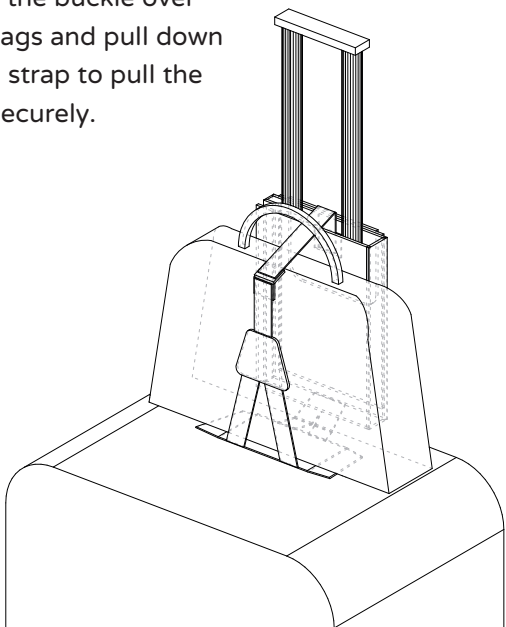


4.



Pull the bag holder base over the top of your case with the buckle facing down. Ensure that there are no twisted straps. Place your bags on top of the suitcase

5. Clip the buckle over your bags and pull down on the strap to pull the bags securely.



6. Travel Comfortably.

