



LUGALL® WEB STRAP RATCHET WINCH HOISTS

The Original Lever Ratchet Hoist Company

Made in the USA

LUG-ALL®

WEB STRAP RATCHET WINCH HOISTS

UTILITY LINEMEN AROUND THE WORLD TRUST LUG-ALL HOISTS TO GET THE JOB DONE QUICKLY AND SAFELY.

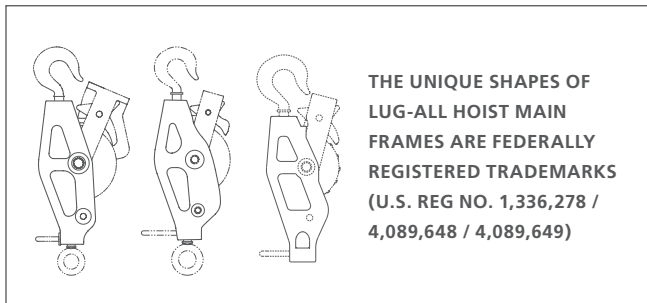
THANK YOU FOR CONSIDERING LUG-ALL, THE ORIGINAL LEVER RATCHET HOIST COMPANY.

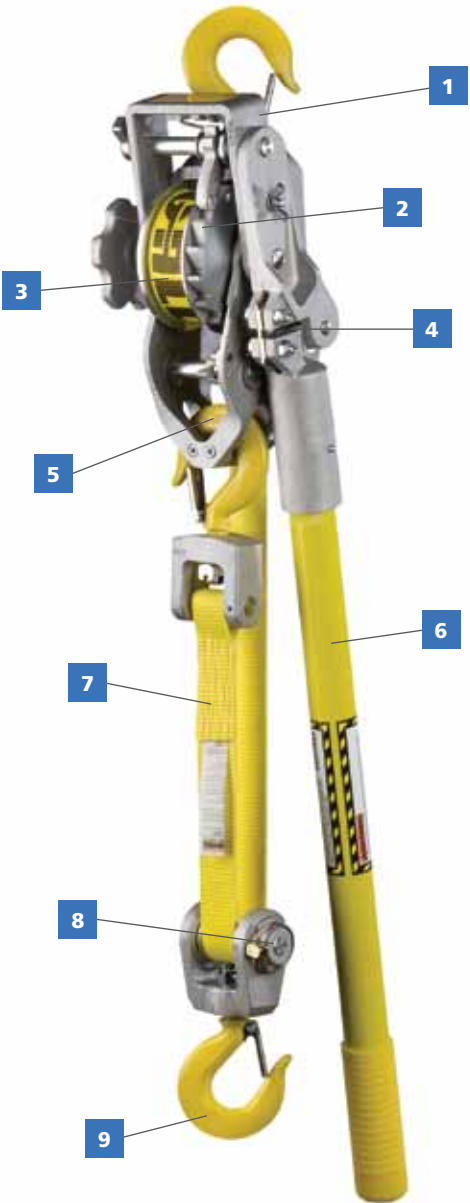
Since the 1960's, LUG-ALL has been the world's leading manufacturer of web strap ratchet winch hoists. With quality and reliability built into every web strap hoist, the LUG-ALL name is unmatched by the competition.

LUG-ALL web strap hoists are instantly recognized by the distinctive shape of their cast aluminum frames which is a proprietary trade-marked shape. LUG-ALL web strap hoists are made with 100% U.S. made high strength aluminum alloy castings and are manufactured in the United States. Our U.S. based manufacturing means LUG-ALL has the capability to constantly improve the usability of our products.

TABLE OF CONTENTS

LUG-ALL WEB STRAP HOIST ADVANTAGES	3
SMALL FRAME HOISTS	4
MEDIUM FRAME HOISTS	4
CONVERTIBLE MODELS	5
WEB STRAP HOIST ACCESSORIES	6
PRODUCTION PROCESSES	7
STRESS LINK/OVERLOAD LINK	7
PRODUCT SUPPORT & WARNINGS	8





LUG-ALL® WEB STRAP HOIST ADVANTAGES

1. Aluminum Alloy Frame
2. Interlocking Pawl System
3. Web Strap Stores on Double Flanged Drum
4. Easily Replaceable Stress Link Gives Warning of Overload
5. Open Construction for Daily Visual Inspection
6. Reversible Fiberglass Handle
7. Nylon Web Strap
8. STANDARD Quick Release Pulley Block Double Reeved for Full Capacity (standard on all models)
9. High Strength Alloy Steel Latching Hooks

DESIGNED FOR OVERHEAD MAINTENANCE AND CONSTRUCTION OF ENERGIZED LINES.

ENGINEERED FOR RELIABLE OPERATION

Meets ANSI B30.21 and has been tested to 125% of rated load. Forged Hooks with latches.

Double flanged drum prevents the web strap from coming in contact with the ratchet teeth.

Exclusive breakable stress link that signals the operator of an overload condition by breaking before the fiberglass handle breaks and/or load-carrying part of the hoist is overloaded.

POSITIVE LOAD HOLDING IN ALL ENVIRONMENTS

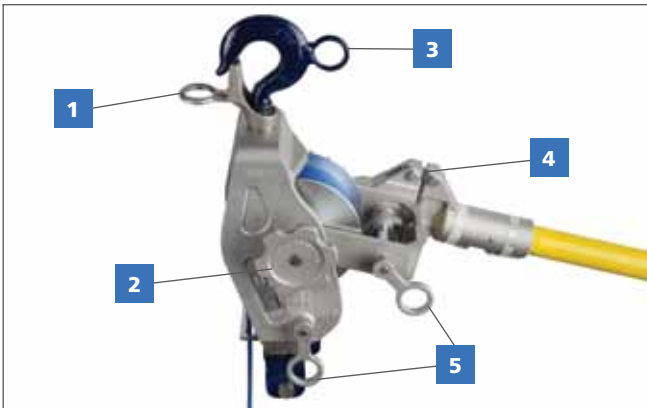
Double interlocking pawl mechanism. No load brakes to slip or fail.

EASE OF OPERATION

Open frame construction allows for cleaning and visual inspection. Self-lubricating bushings throughout the housing and on the pulley assure smooth operation.

USEFUL COST-EFFECTIVE OPTIONS

Five hook styles that are designed to meet your application requirements and work practice standards. Models equipped with hot stick levers, rings, and hot stick latches for remote operation using approved hot line tools. All make for smooth operation with heavy insulated gloves.



1. Hot Stick Hook Latch (optional)
2. Wind Up Wheel
3. Hot Stick Ring (optional)
4. Stress Link
5. Hot Stick Operating Lever (optional)

**1 TON
SMALL FRAME**

**1-1/2 TON
SMALL FRAME**

**1-1/2 TON
MEDIUM FRAME**

**2 TON
MEDIUM FRAME**

SMALL FRAME

Our small frame web strap hoists are lightweight and compact. With their one-hand portability, you can easily work in almost any position. Plus, their compact size gives you more elbow room around live wires. Perfect for tight spots, these pullers have all the features of our medium frame hoists.

MEDIUM FRAME

With longer handles, our medium frame web strap hoists provide you extra pulling strength for capacities from 1-1/2 to 2 tons. Like all LUG-ALL web strap pullers, these precision tools are beautifully crafted to deliver easy, trouble-free pulling of energized power lines.



MODEL #	CAPACITY	DOUBLE PULL DISTANCE		CAPACITY	SINGLE PULL DISTANCE		STRAP LENGTH	HANDLE LENGTH	NET WEIGHT (LBS.)
		Min	Max		Min	Max			
2-A	1 Ton	21"	4'-5"	1/2 Ton	16"	9'-6"	10'	30"	10.25
2-B	1 Ton	21"	4'-5"	1/2 Ton	16"	9'-6"	10'	32"	10.5
2-U	1 Ton	24"	4'-4"	1/2 Ton	18"	9'-6"	10'	30"	10.75
2-UB	1 Ton	24"	4'-4"	1/2 Ton	18"	9'-6"	10'	32"	11
2-HB	1 Ton	24"	4'-4"	1/2 Ton	18"	9'-6"	10'	32"	11
25-A	1-1/2 Ton	21"	3'-5"	3/4 Ton	16"	7'-6"	8'	20"	10
25-B	1-1/2 Ton	21"	3'-5"	3/4 Ton	16"	7'-6"	8'	22"	10.5
25-U	1-1/2 Ton	24"	3'-4"	3/4 Ton	18"	7'-6"	8'	20"	10.5
25-UB	1-1/2 Ton	24"	3'-4"	3/4 Ton	18"	7'-6"	8'	22"	10.75
25-HB	1-1/2 Ton	24"	3'-4"	3/4 Ton	18"	7'-6"	8'	22"	11

5 HOOK STYLES (See Page 6)

- A** - Standard Latching Hooks
- B** - Hot Stick Rings and Latching Hooks
- U** - Gate Type Hooks
- UB** - Gate Type Hooks and Hot Stick Rings
- HB** - Hot Stick Rings and Hot Stick Hook Latches

All models equipped with quick release pulley block LUG-ALL grips, straps, and hooks are color coded by capacity*

MODEL #	CAPACITY	DOUBLE PULL DISTANCE		CAPACITY	SINGLE PULL DISTANCE		STRAP LENGTH	HANDLE LENGTH	NET WEIGHT (LBS.)
		Min	Max		Min	Max			
3-A	1-1/2 Ton	27"	5'-1"	3/4 Ton	19"	11'-3"	11'-5"	30"	14
3-B	1-1/2 Ton	27"	5'-1"	3/4 Ton	19"	11'-3"	11'-5"	32"	14.5
3-U	1-1/2 Ton	30"	5'-0"	3/4 Ton	21"	11'-3"	11'-5"	30"	15
3-UB	1-1/2 Ton	30"	5'-0"	3/4 Ton	21"	11'-3"	11'-5"	32"	15
3-HB	1-1/2 Ton	29"	5'-0"	3/4 Ton	20"	11'-3"	11'-5"	32"	15.25
4-A	2 Ton	27"	4'-1"	1 Ton	19"	9'-4"	10'	36"	15.5
4-B	2 Ton	27"	4'-1"	1 Ton	19"	9'-4"	10'	38"	16
4-U	2 Ton	31"	4'-0"	1 Ton	21"	9'-4"	10'	36"	16
4-UB	2 Ton	31"	4'-0"	1 Ton	21"	9'-4"	10'	38"	16.5
4-HB	2 Ton	29"	4'-0"	1 Ton	20"	9'-4"	10'	38"	16.25

Specifications are subject to change without notice

1-1/2 TON SMALL CONVERTIBLE FRAME



1-1/2 TON MEDIUM FRAME WITH CONVERTIBLE KIT



2 TON MEDIUM FRAME WITH CONVERTIBLE KIT



CONVERTIBLE MODELS

Our convertible web strap hoists quickly change from a single line to a double line rigged capacity without the worry of misplaced parts: all the parts to switch line configurations are on the hoist. With their durable, lightweight frame construction, these web strap pullers start at just 9.5 lbs.

LIGHTER WEIGHT AND MORE HEADROOM ON MEDIUM FRAME CONVERTIBLE MODELS

1. Cast Bracket
2. Formed Bracket



MODEL #	CAPACITY	DOUBLE PULL DISTANCE		CAPACITY	SINGLE PULL DISTANCE		STRAP LENGTH	HANDLE LENGTH	NET WEIGHT (LBS.)
		Min	Max		Min	Max			
2-CA	1-1/2 Ton	18"	3'-6"	3/4 Ton	20"	7'-2"	8'	30"	9.5
2-CB	1-1/2 Ton	18"	3'-6"	3/4 Ton	20"	7'-2"	8'	32"	9.75
2-CU	1-1/2 Ton	20"	3'-5"	3/4 Ton	22"	7'-2"	8'	30"	10
2-CUB	1-1/2 Ton	20"	3'-5"	3/4 Ton	22"	7'-2"	8'	32"	10.25
2-CHB	1-1/2 Ton	20"	3'-5"	3/4 Ton	22"	7'-2"	8'	32"	10.25
3-CA	1-1/2 Ton	21"	5'-4"	3/4 Ton	21"	11'-1"	11'-5"	30"	13.25
3-CB	1-1/2 Ton	21"	5'-4"	3/4 Ton	21"	11'-1"	11'-5"	32"	13.5
3-CU	1-1/2 Ton	23"	5'-3"	3/4 Ton	23"	11'-1"	11'-5"	30"	13.75
3-CUB	1-1/2 Ton	23"	5'-3"	3/4 Ton	23"	11'-1"	11'-5"	32"	14
3-CHB	1-1/2 Ton	23"	5'-3"	3/4 Ton	23"	11'-1"	11'-5"	32"	14
4-CA	2 Ton	21"	4'-5"	1 Ton	21"	9'-2"	10'	36"	14.5
4-CB	2 Ton	21"	4'-5"	1 Ton	21"	9'-2"	10'	38"	14.75
4-CU	2 Ton	23"	4'-4"	1 Ton	23"	9'-2"	10'	36"	15
4-CUB	2 Ton	23"	4'-4"	1 Ton	23"	9'-2"	10'	38"	15
4-CHB	2 Ton	23"	4'-4"	1 Ton	23"	9'-2"	10'	38"	15

5 HOOK STYLES (See Page 6)

- A - Standard Latching Hooks
- B - Hot Stick Rings and Latching Hooks
- U - Gate Type Hooks
- UB - Gate Type Hooks and Hot Stick Rings
- HB - Hot Stick Rings and Hook Latches

MODEL DESIGN

- C - Convertible Model

All models equipped with quick release pulley block*LUG-ALL grips, straps, and hooks are color coded by capacity

Specifications are subject to change without notice

WEB STRAP HOIST ACCESSORIES

THE RIGHT HOOK FOR ANY APPLICATION



(A) - Standard Latching Hook

Forged alloy steel hooks for lasting strength and durability. Latches are standard.

(U) - Swivel Gate Hook

Hook latch revolves on hook shank and locks under spring tension in open or closed position.

(B) - Hot Stick Ring with Standard Latching Hook

Hot stick hooks have a welded 1-inch diameter ring and standard latches for use with approved hot stick tools.

(UB) - Swivel Gate Hook with Hot Stick Ring

Offers the same revolving and locking hook shank features as our standard swivel gate, but incorporates a 1-inch diameter welded hot stick ring.

(HB) - Hot Stick Ring with Hot Stick Hook Latch

Hot stick hook latch models have rings on the hook and latch for use on energized lines. Using holding sticks, the latch and hook can be easily maneuvered.

LUG-ALL MEDIUM FRAME CONVERTIBLE WEB STRAP HOIST CONVERSION KIT

Do you have an old LUG-ALL medium frame (with eye bolt at bottom of main-frame) model web strap hoist but want to take advantage of our new convertible hoist features? Buy the LUG-ALL Convertible Web Strap Hoist Conversion Kit. Now available for any LUG-ALL model web strap hoist made prior to 2009. Small frame models (2-C) have a completely new main frame with cast bracket.

All standard kits include a lynch pin and shaft, convertible bracket, and hex bolt assembly. All pulley blocks supplied after 9/08 are convertible. Hoists purchased prior to 9/08 may require a new pulley block or web strap and they can be purchased separately from the LUG-ALL sales department.



SUPERIOR PRODUCTION PROCESSES

When you purchase a LUG-ALL hoist, you can be confident that you are purchasing a quality product. For over 60 years, LUG-ALL has been developing and refining superior production processes for our lever ratchet winch-hoists. Here at LUG-ALL we are dedicated to working with customers in the field and making innovative changes based on their feedback. Our products have held their ground as the easiest to use and most durable lever ratchet hoists on the market.



LUG-ALL products are made through cutting edge manufacturing processes. CNC Horizontal and Vertical Machining Centers machine cast aluminum parts and have high tolerance repeatability. The technology used at LUG-ALL is state of the art, because quality is the heart and soul of our organization.



QUALITY CONTROL

LUG-ALL hoists must also pass hi-tech testing processes before being distributed. A Universal Testing Machine is used for testing peak load capacity and web strap and wire rope stretching. It has accuracy that measures to within a tenth of a pound for capacity. A Cyclical Testing Machine is used to conduct CE testing at 110% of rated capacity for the certification of LUG-ALL hoists in European markets.

LUG-ALL®

WEB STRAP RATCHET WINCH HOISTS



CNC Horizontal and Vertical Machining Centers machine cast aluminum parts.

LUG-ALL IS ISO 9001-2008 CERTIFIED

LUG-ALL is also ISO 9001-2008 certified, so you can be sure that LUG-ALL's quality control procedures and customer service are monitored and updated regularly. LUG-ALL remains the leader in product commitment and quality. LUG-ALL is the original lever ratchet hoist company.

LUG-ALL'S BREAKABLE STRESS LINK

LUG-ALL web strap hoists feature our breakable stress link. The stress link, next to the overload link, snaps when the hoist is overloaded, warning the operator to back off the load before injury or damage. The overload link has elongated holes which allows enough movement for the stress link to snap, while still holding the handle socket assembly together. The stress link must then be replaced immediately.



WARNING

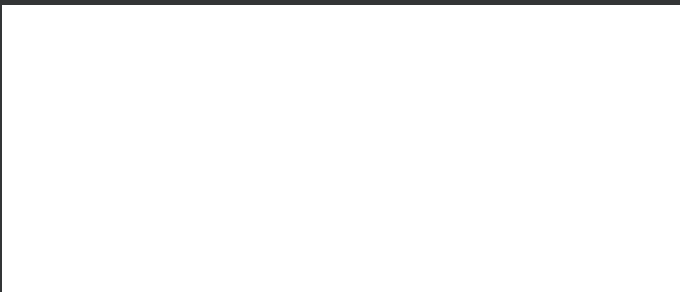
LUG-ALL web strap hoists are NOT insulating live-line tools. When the hoist's strap is clean and dry, it may have dielectric properties typical of nylon or polyester fibers; however, when it becomes wet and/or dirty, the strap loses these dielectric properties.

Use appropriate insulating hot sticks in series with web strap hoist hot-stick rings when necessary to achieve proper working distance per OSHA Regulation Subpart V, 1926.950 or company work practices. When the hoist handle swings closer to an energized conductor than OSHA working distances or company work practices permit, use rubber gloves rated for appropriate voltage.

TO AVOID PERSONAL INJURY OR EQUIPMENT DAMAGE

- Do not use if web strap is twisted, kinked, frayed, or damaged.
- Do not use to lift people, or loads over people.
- Do not leave an unattended load suspended in the air.
- Do not lengthen, or make any substitution for the LUG-ALL reversible handle.
- Do not remove or obscure warning labels.
- Do not use hoist as a load binder.
- Do not snag or pull the strap over edges, as serious weakening may result.
- Do not use a LUG-ALL hoist as a tow line.
- Close latches on hook before using.
- Use only LUG-ALL replacement parts.

The use of the web strap hoist on or around energized lines may result in serious injury or death.



RAPID, CONTINUOUS, CUSTOMER-DRIVEN IMPROVEMENTS

Your professional feedback drives our process of rapid, continuous improvements of our hoist designs. Our world-class manufacturing facilities enable us to take your suggestions from the field and manufacture them in as soon as a week.

And our team culture — deeply rooted and nurtured by 3rd generation owners and workers — allows us to consistently deliver unmatched quality, operation and durability in every hoist we make.

LUG-ALL®...Raise Your Expectations™

WARRANTIES, PARTS & REPAIRS

We guarantee that your LUG-ALL hoist is free from defects in material and workmanship for one year from your date of purchase. In addition to a comprehensive online Parts Store at LUG-ALL.com, we also offer factory repairs and reconditioning. We want you to be satisfied for the life of your hoist!



For inquires, call us at:
877-658-4255 toll free

650 Lincoln Road
Birdsboro, PA 19508

Local: 610-286-9884
Fax: 610-286-9661
Web: lug-all.com
Email: sales@lug-all.com

