

# MELROSE II PENDANT



## PRODUCT FEATURES

- Graceful design and cone shaped inner diffuser
- European artisanal crafted shade
- Available in three on-trend finishes
- Ideal for kitchen islands, bedrooms and home offices
- Fully dimmable lamping options to create the desired ambiance
- Protected by a 1-year warranty, please visit [www.techlighting.com](http://www.techlighting.com) for details



## LAMPING

Includes with 35 watt halogen bi-pin or 8 watt, 300 delivered lumen, 3000K, replaceable SORAA® LED module and six feet of field-cuttable cable. Dimmable with low-voltage electronic or magnetic dimmer (based on the transformer).

Smoke



Clear

Smoke

## ORDERING INFORMATION

700	SYSTEM	MLP	COLOR	FINISH	LAMP
	FJ FREEJACK		C CLEAR	Z ANTIQUE BRONZE	12 VOLT HALOGEN (T20)
	MP MONOPOINT		K SMOKE	C CHROME	-24 24 VOLT HALOGEN
	MO MONORAIL			S SATIN NICKEL	-LEDS930 12 VOLT LED 90 CRI 3000K (T20/T24)
	MO2 TWO-CIRCUIT MONORAIL				-24 24 VOLT HALOGEN

Note: MP includes 4" Round Flush Canopy.  
 Chrome not available on Monorail or Two-Circuit Monorail.

700 \_\_\_\_\_ MLP \_\_\_\_\_

JOB NAME \_\_\_\_\_

NOTES \_\_\_\_\_

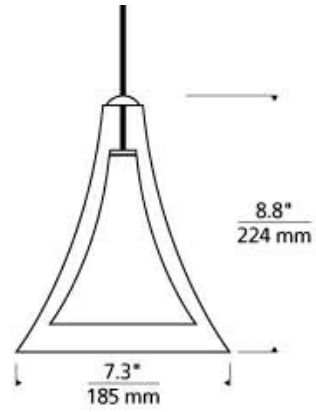


# MELROSE II PENDANT



## SPECIFICATIONS

HARDWARE MATERIAL	Metal
SHADE MATERIAL	Glass
NET WEIGHT	1.09 lbs
HEIGHT	8.8in
WIDTH	7.3in
LENGTH	7.3in
UP LIGHT / DOWN LIGHT / BOTH?	
WET LISTED	
DAMP LISTED	
DRY LISTED	
MIN. HANGING HEIGHT	8.8in
MAX HANGING HEIGHT	72in
SLOPED CEILING ADAPTABLE?	No
GENERAL LISTING	ETL Listed
INCLUDES	



## LAMPING SPECIFICATIONS

	LED LAMP	INTEGRATED LED	NON LED	NO LAMP
DELIVERED LUMENS	300		500	
WATTS	8		50	
MAX WATTAGE PER BULB	8W		50W	
INPUT VOLTAGE	12V 120V		12V 120V	
DIMMING TYPE*	ELV			
CCT	3000K			
CRI	90 CRI			
LED LIFETIME				
L70				
AVERAGE BULB HOURS	25000			
FIELD SERVICEABLE LED				
LAMP BASE	GU5.3			
LAMP SHAPE	LED Bi-Pin			
LAMP INCLUDED?	Y		Y	
WARRANTY**	5 Years			

\* Dimming information available at [www.techlighting.com/Downloads#dimming](http://www.techlighting.com/Downloads#dimming)

\*\* Visit [techlighting.com](http://techlighting.com) for specific warranty limitations and details.

## T20 / T24 INFORMATION

	Integrated LED	Replacement LED Lamp	No Lamp *
This product can be used to comply with California Building Energy Efficiency Standards 2016 Title 24 Part 6.			
This product can be used to comply with California Appliance Efficiency Standards 2016 Title 20 and may be shipped to and sold in California.			

\* If a light fixture or component does not include a lamp or light source, it is the responsibility of the customer to select a lamp that meets the T24 and T20 requirements.

