



WARNING

FALL AND SUFFOCATION HAZARD

FALL HAZARD – Infants can fall through a wide leg opening or out of baby carrier.

- Hold your baby closely at all times until correctly attached.
- Child must face towards you until they can hold head upright.
- Make sure baby's legs are straddling the seat and arms extend through arm holes.
- Small children can fall through a leg opening. Adjust the leg openings to fit the child's legs snugly.
- Before each use, make sure all buckles are secure.
- Take special care when leaning or walking.
- Never bend at waist; bend at knees.
- This baby carrier is designed to be used by adults while walking only.
- Check to assure all buckles, snaps, straps, and adjustments are secure before each use.
- Check for ripped seams, torn straps or fabric and damaged fasteners before each use.
- Ensure proper placement of child in product including leg placement.
- Never use baby carrier when balance or mobility is impaired by exercise, drowsiness, or medical conditions.
- Your balance may be adversely affected by your own or your child's movements.
- Regularly check that your child is comfortably and securely seated in the baby carrier.
- Never use a damaged baby carrier.

SUFFOCATION HAZARD – Infants under 4 months can suffocate in this product if face is pressed tight against your body.

- Do not strap baby too tight against your body.
- Allow room for head movement.
- Keep infant's face free from obstructions at all times.
- Never lie down or sleep with baby in the baby carrier.
- Inspect the baby carrier regularly for any signs of wear and tear.

ASSEMBLED BABY CARRIER



SPECIAL FEATURES



2 IN 1 COOLER

JP Outdoor Company



MAILING ADDRESS

1 CHATSWORTH AVENUE
P.O. BOX 37
LARCHMONT, NY 10538

QUESTIONS?

info@JPOutdoorCo.com

www.JPOutdoorCo.com

Blue/Black



Proud Member of:



JP Outdoor Co.
ACTIVE GEAR FOR
ACTIVE PARENTS



COPILOT

OUTDOOR BACKPACK
BABY CARRIER AND
PARENTING BAG



PRODUCT OF THE YEAR FINALIST
Outdoor Retailer 2020

MEN'S JOURNAL-
COOLEST ADVENTURE GEAR
SNOW SHOW 2020



WORLD'S
FIRST
FRONT-SIDE
BABY
CARRIER
BUILT INTO A
BACKPACK



CONGRATULATIONS on your choice of the CoPilot Backpack and Baby Carrier.

We are honored that you chose JP Outdoor gear for your next adventure.

BEFORE YOU USE YOUR CARRIER:

- Read all instructions before assembling and using the baby carrier.
- Keep instructions for future use.
- Detach all tags, and discard any plastic bags.
- Product Registration: visit www.JPOutdoorCo.com, or fill out and mail the attached registration card.

YOUR CHILD'S SAFETY DEPENDS ON YOU USAGE RECOMMENDATIONS:

- Failure to follow all warnings and instructions can result in serious injury or death. If you have questions, or anything you do not understand, or if instruction manual is missing, email **JP Outdoor's Customer Service** at - info@JPOutdoorCo.com
- Never use baby carrier while engaging in activities such as cooking and cleaning which involve a heat source or exposure to chemicals.
- Never wear baby carrier while driving or as a passenger of a motor vehicle.
- **AGE AND WEIGHT:** Your child must be able to hold head up unassisted (about 5 months) and be between 8 lbs. and 30 lbs. Babies are meant to be carried on your chest only.
- When child can hold head upright unassisted, child may face either inwards or outwards in the carrier.
- **INWARD-FACING (parent-facing):** child should be able to hold head upright unassisted (about 5 months).
- **OUTWARD-FACING:** child should be approximately 12 months old.
- **CLEANING YOUR CARRIER:**
 - Machine-wash the carrier in cold water, delicate cycle; use a mild detergent, do not use bleach, line dry.
 - Spot-clean the carrier by applying a small amount of mild, diluted detergent onto a scrubbing cloth.

BABY CARRIER ASSEMBLING AND LOADING INSTRUCTIONS

Practice loading your baby into the carrier the first few times over a bed, sitting, or with another adult nearby to assist you.



Buckle both **Lower Carrier Buckles** to **Lower Carrier Straps** first. Then buckle one side of the **Mid Carrier Buckles** to **Mid Carrier Strap**. – The Warning Label on the seat of the Carrier should be facing you and the Care Instructions Label on the Lower Carrier Strap should be against your left side.



Load your child into the Carrier either **parent-facing** or **outward-facing**. Taking care to fully support your baby's head, place your baby in the Carrier with their legs straddling the center of the Carrier; each leg on either side of the crotch support.

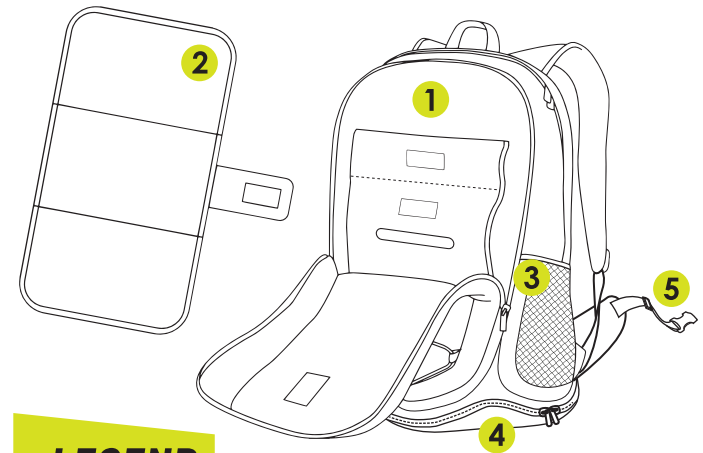


Snap all **remaining Carrier Buckles** (other **Mid Carrier Buckle** and both **Upper Carrier Buckles**) onto **remaining Carrier Straps**. Make sure there is an audible **"click."**

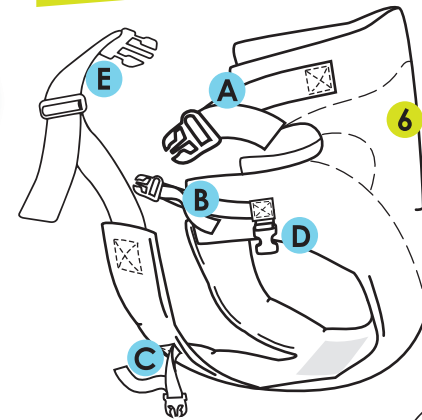
For smaller children connect **Leg Hole Straps** with **Leg Hole Buckles** on both sides. This will reduce the size of the leg holes.

YOU KNOW YOUR CARRIER IS ADJUSTED CORRECTLY WHEN:

- Your baby is centered in the Carrier.
- You hear an audible **"click"** to each snap of each buckle.
- Your baby's arms are underneath the Upper Carrier Straps.
- Your baby fits snugly and does not shift or tilt easily in the Carrier.
- The lower portion of the Carrier is snugly fitted around your baby's thighs, allowing them to be bent in a frog-like position; where the leg holes are not too tight, allowing for proper circulation.



LEGEND



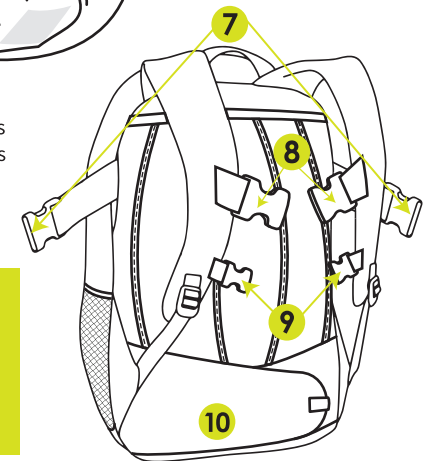
- 1 - Changing Station Compartment
- 2 - Changing Station Mat
- 3 - Extra Large Bottle Holder
- 4 - 2 in 1 Cooler
- 5 - Waist Strap
- 6 - Baby Carrier

- A - Upper Carrier Straps
- B - Mid Carrier Straps
- C - Leg Hole Straps
- D - Leg Hole Buckles
- E - Lower Carrier Straps

- 7 - Lower Carrier Buckles
- 8 - Upper Carrier Buckles
- 9 - Mid Carrier Buckles
- 10 - Waist Belt

STRAP AND BUCKLE CONNECTION

- A connects to 8
- B connects to 9
- C connects to D
- E connects to 7



REMOVING YOUR CHILD FROM CARRIER

1. Hold your child securely with one arm, making sure to support their head.
2. Unbuckle one or both of the Upper Carrier Buckles and one of the Mid Carrier Buckles.
3. Support your child as you lift them out of the Carrier.