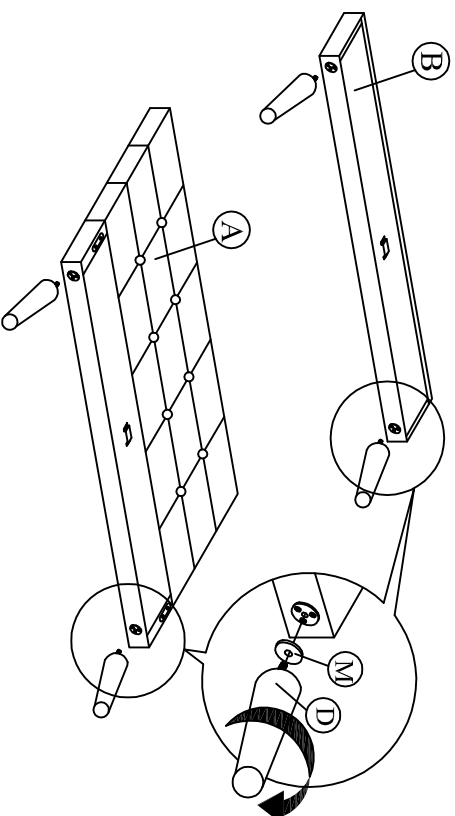


ASSEMBLY INSTRUCTION

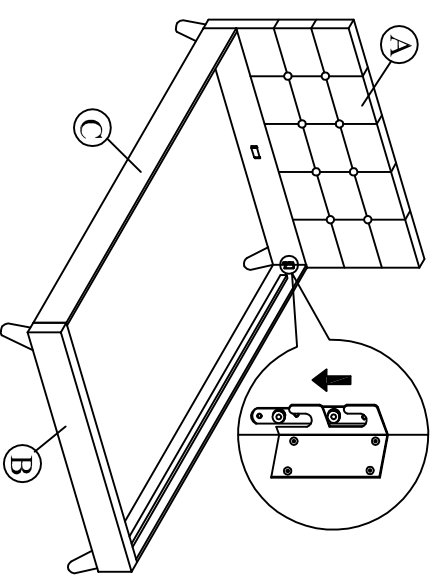
MODEL: CF 8563-E (5')

A	Headboard	1 pc
B	Footboard	1 pc
C	Side Rail	2 pcs
D	Legs	4 pcs
E	Center Rail	1 pc
F	Support Leg	2 pcs
G	JCBC M6 X 40	2 pcs
H	M5 x 70 mm	1 pc
I	M4 x 65 mm	1 pc
J	CSK M4 x 25mm	2 pcs
K	CSK M4 x 32mm	35 pcs
L	16 Pes Slat	1 pc
M	NO 35 Washers	4 pcs
N	Adjuster	2 pcs

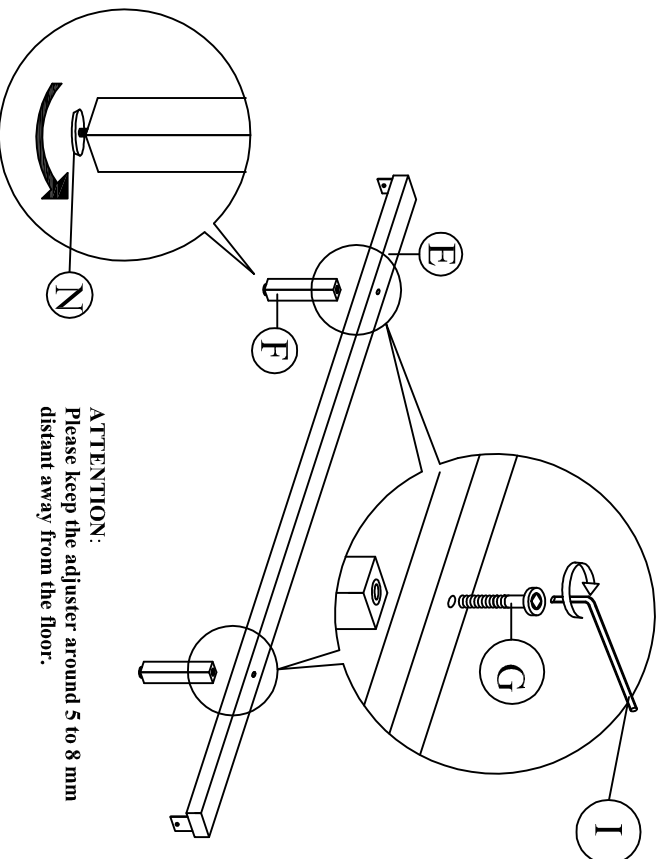
Step 1: Install the legs (D) to footboard (B) and headboard (A). Tighten the legs.



Step 2: Attach side rail (C) to footboard (B) first follow by headboard (A) by pushing the bracket down to fit it.

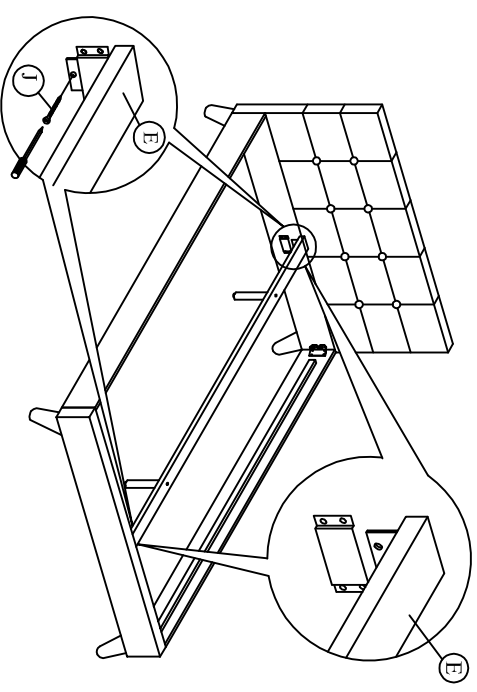


Step 3: Attach the support legs (F) to the center rail (E) of the bed as shown.



ATTENTION:
Please keep the adjuster around 5 to 8 mm distant away from the floor.

Step 4: Slide the center rail (E) to the headboard (A) and footboard (B). Tighten screws (J) using screw driver (not included) to the headboard (A) and footboard (B).



Step 5: Affix the Slat (L) to the side rail support wood and the center rail (E) . Tighten all the 4 corner .

