



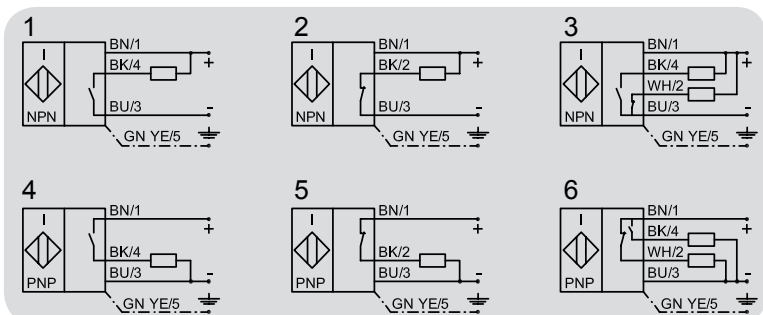
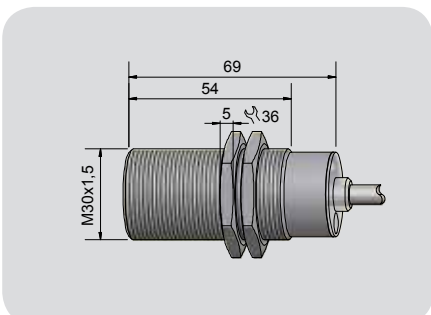
## Inductive Sensors Series 20 - NPN - StEx- ATEX    Series 10 - PNP - StEx - ATEX

- Housing M 30 x 1.5
- Housing material: Brass
  - For use in areas with the risk of dust explosion, zone 20
  - For use in areas with the risk of gas explosion, zone 1
  - Sensing distance  $S_n$  10 mm

DMT 01 ATEX E 157	IECEX BVS 07.0015
II 2 G Ex mb IIC T4 Gb	Ex mb IIC T4 Gb
II 1/2 D Ex ta/tb IIIC T101°C Da/Db	Ex ta/tb IIIC T101°C Da/Db



<b>Technical data</b>	Flush mountable
Operating distance $S_n$	10 mm
Electrical version	4-wire DC
Output	Antivalent
<b>Type NPN</b>	<b>IAS-20-A14-A-StEx</b>
<b>Art.-No.</b>	<b>IA 0137</b>
Connection diagram No.	3
<b>Type PNP</b>	<b>IAS-10-A14-A-StEx</b>
<b>Art.-No.</b>	<b>IA 0109</b>
Connection diagram No.	6
Operating voltage ( $U_B$ )	10...30 V DC
Voltage drop max. ( $U_a$ )	≤ 2.5 V
Permitted residual ripple max.	10 %
Operating current ( $I_a$ )	2 x 0...150 mA
No-load current ( $I_o$ )	Typ. 15 mA
Frequency of operating cycles max.	1 kHz
Permitted ambient temperature	-20...+90 °C
LED-display	Green / yellow
Protective circuit	Built-in
Degree of protection IEC 60529	IP 67
Norm	EN 60 947-5-2
Connection cable	2 m, PVC, 5 x 0.34 mm <sup>2</sup>
Housing material	Brass
Active surface	PTFE (FDA 21 CFR 177.1550)
Lid	PC (FDA 21 CFR 177.1580)
<b>Accessories</b> (delivered with the sensor)	2 nuts M 30 x 1.5



Made in Germany

All specifications are subject to change without notice. (09/2016)