

Rechargeable Torch

Zones: 0, 1, 2, 20, 21 and 22



Product Overview

The Wolf Rechargeable Torch is an ATEX and IECEx certified rechargeable right angle safety torch, using the latest technology to give excellent performance, robustness and reliability for safe use in Zones 1 and 2 potentially explosive gas and 21 and 22 dust atmospheres (R-50). Zones 0 and 20 version available (R-55).

This high strength right-angle torch is extremely robust and reliable, with proven shock protection, even at sub zero temperatures, rubber armoured lens ring and end cap, scratch and chemical attack resistance lens, with a certified IP67 enclosure. The compact, lightweight and ergonomic torch body gives enhanced grip and comfort for the user with easy single-handed switching, even with gloved hands, plus the replaceable high strength clip allows for hands free use.

Unique optics deliver a piercing beam of outstanding light from a high power LED, and using the latest rechargeable battery technology provides a light duration of up to 6.5hrs on low power and 3.5hrs on high power. The low battery power indicator allows a user to monitor the state of battery charge as it diminishes, a bar of high intensity red LEDs go out and finally the beam flashes repeatedly, warning recharging is required. Plus its emergency function illuminates the torch if power to the charger is cut to provide standby escape lighting. Optional primary cell cassette is available for back-up power.

The torch is low maintenance with quick and easy parts replacement, a full spares service is offered for all internal/external fittings, and the LED light source is expected to last the product's lifetime. Vehicle and mains voltage charger options offer a rapid recharge time of only 1.5hrs for 90% capacity, plus the mountable 'quick' charger is configured as a torch holder, with 'snap in/snatch out' function, for quick release but secure retention.

Features & Benefits

- ATEX and IECEx certified for Zones 1 and 21, plus Zones 0 and 20 version available
- High power LED for outstanding light output
- Compact and lightweight ergonomic torch design
- Two power levels of light output give up to 6.5 hours light duration
- Rechargeable battery with low power indicator
- Supplied with wrist strap and clip ring
- Emergency illumination function
- Mains and vehicle charger options
- Suitable for cyclic and short and long term standby applications
- Very low maintenance, quick and easy parts replacement

Certifications



0598

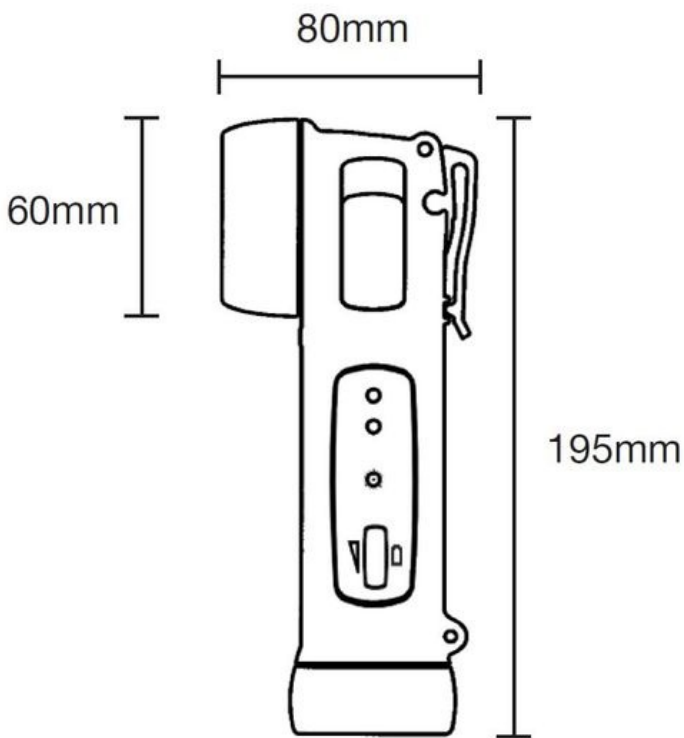
Technical Specification

Product Reference		R-50	R-55
Product Description		Rechargeable Right Angle Safety Torch	
		Zone 1 LED	Zone 0 LED
Code		I M2/II 2GD Ex ib op is I Mb/IIC T4 Gb (-40°C ≤ Ta ≤ +40°C) Ex ib op is IIIB T200°C Db IP67	I M1/II 1GD Ex ia op is I Ma/IIC T4 Ga Ex ia op is IIIB T200°C Da IP67 - 40°C ≤ Ta ≤ 40°C
Type of Protection		'ib' intrinsic safety	'ia' intrinsic safety
Area of Classification (Gas)		Zones 1 & 2 Gas Groups IIA, IIB and IIC	Zones 0, 1 & 2 Gas Groups IIA, IIB and IIC
Temperature Class (Gas)		T4	
Area of Classification (Dust)		Zones 21 & 22 Dust Groups IIIA and IIIB	Zones 20, 21 & 22 Dust Groups IIIA and IIIB
Max. Surface Temp. (Dust)		T200°C	
Ambient Temperature		-40°C to +40°C	
Certificate		Baseefa05ATEX0069X / IECExBAS06.0001X	
Enclosure		Impact Resistant Thermoplastic, Chemical Resistant, Static Dissipative	
Lens		Toughened Glass 4mm	
Beam Type		High Output Spot Beam	
Light Source:	Type	High Power LED	
	Watts	3 Watts	
	Output	High Power - Up to 243lm / Low Power - Up to 135lm	
	Life	25,000hrs+ (Fitted For Life)	
Power Source:	Part No.	R-271	
	Type	Rechargeable Battery, Lithium-Ion	
	Volts	7.4V	
	Capacity / Life	2.4Ah / Up to 500 Recharge Cycles	

Light Duration	High Power - Up to 3.5hrs / Low Power - Up to 6.5hrs
Ingress Protection	IP67
Weight (inc. cells)	0.375 Kg
Chargers	12-24Vdc RC-200L / 100-254Vac RC-200H
Recharge Time	3.0 hrs (90% in 1.5hrs)

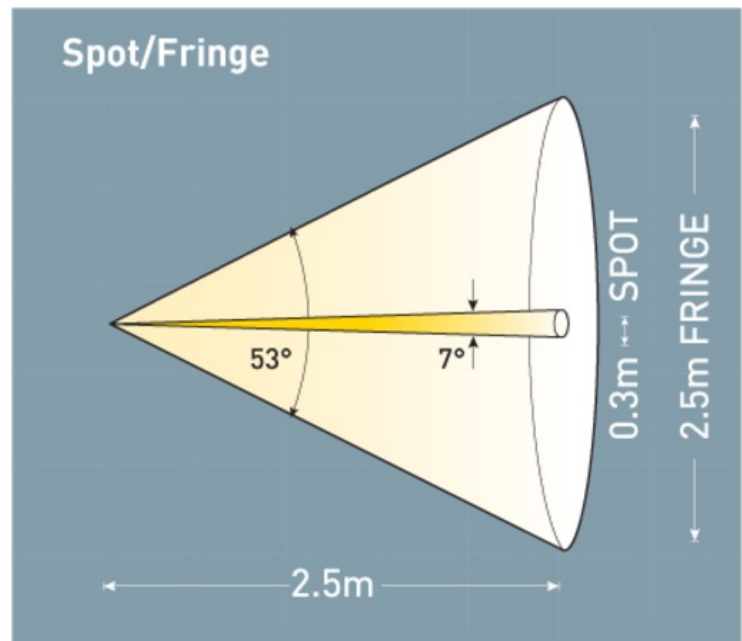
- All information has been gathered under laboratory conditions, the user must regard the values given as approximate.
- Changes may be made to the above specification without notification, details are available on request.

Product Dimensions



Light Output

R-50/R-55 - 3W LED Beam (approx 7°)
 Peak luminous intensity at 2.5m **2,100 lux**



Version: SL007 DF528 Issue 11

