

Marine Signal Lamps



TIDELAND SIGNAL CORPORATION

Tideland provides a wide range of standard marine lamps and specialised lamps.

6- and 12-Volt Lamps

All 6- and 12-volt lamps from Tideland Signal are single-contact, prefocused marine signal lamps used with standard Tideland lampchangers in the ML-300 lantern, RL-125 and RL-355 range lanterns, and TRB-300, TRB-220 and TRB-400 rotating beacons. In ML-155 and ML-140 lanterns, only S-8 and smaller envelope sizes (T-3.5, T-2.6, T-2.4) can be used.

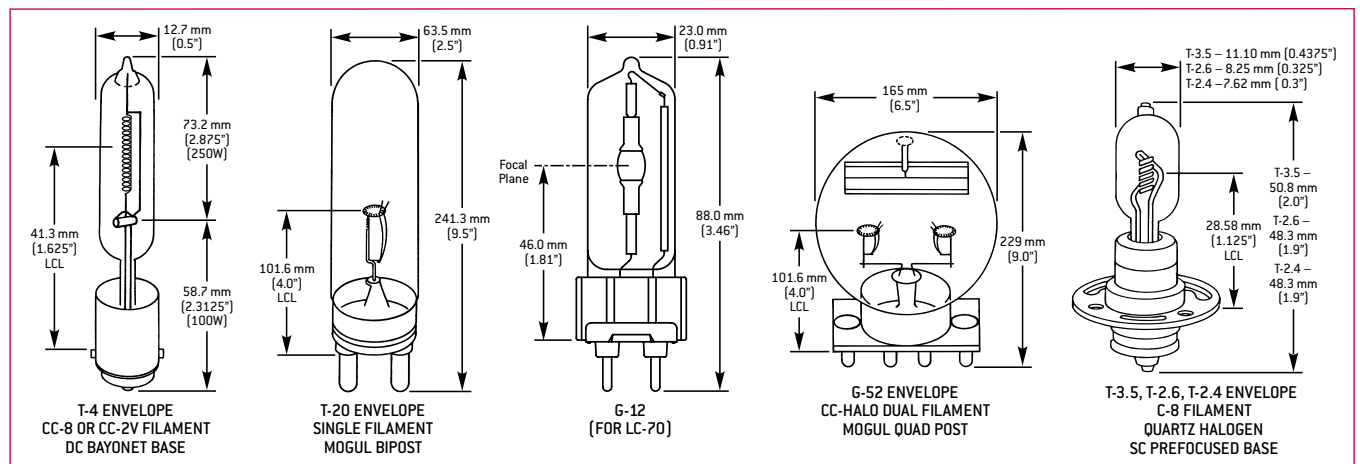
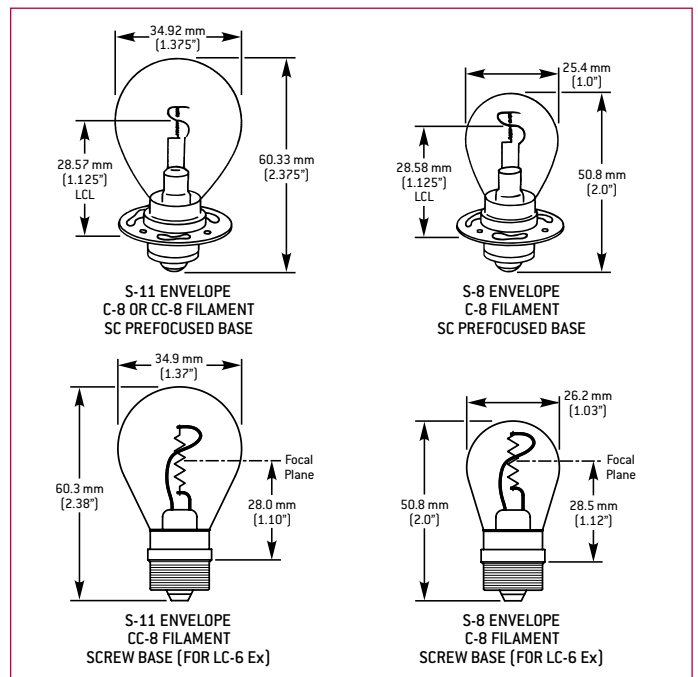
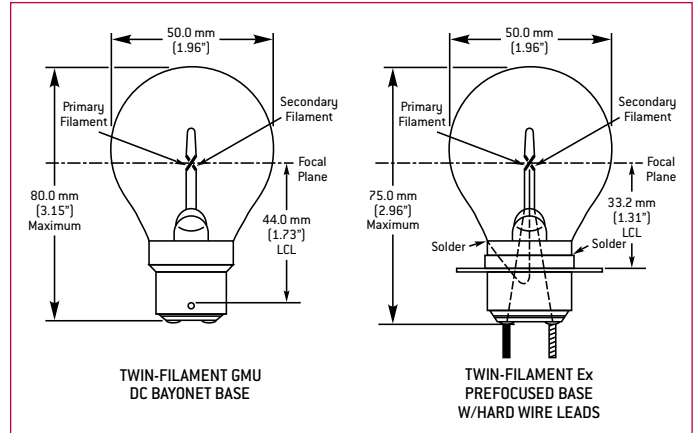
All 6-volt and 12-volt lamps can be used with the TF-3B MicroPower or TF-3B MicroPower OMNIBUS® II flasher/lampchanger. For the TF-3AC flasher/lampchanger (AC input, DC output), however, the largest lamp current allowed is a 12-volt, 0.77 ampere lamp.

120-Volt Lamps

For 120 VAC operation, Tideland supplies lamps compatible with its 120 VAC lampchangers and lamp-holders. The LC-300 lampchanger uses DC Bayonet Base lamps. The TL-1000 lampchanger uses Mogul Base CC-HALO filament lamps (either Mogul Bipost or Mogul Quad Post), but the TL-1000 SL lampholder uses Mogul Bipost lamps only. In a single-lamp ML-155 or ML-140 lantern, a common, medium screw socket holds a medium screw-base lamp.

Twin-Filament Lamps

Tideland supplies twin-filament lamps for use with the DuoFlash® twin-filament flasher. Double Contact Bayonet lamps are used in applications designated for General Marine Use (GMU). Hard Wire Contact Bayonet lamps are used in Zone 1 applications.



LAMP SPECIFICATIONS

6-Volt and 12-Volt Incandescence Lamps

Tideland Part No.	Voltage	Rating (Amp)	Envelope	Filament	Rated Life* (Hr.)
185.1087-00	6.2V	0.125A	S-8	C-8	1000
185.1021-00	6.2V	0.25A	S-8	C-8	1000
185.1020-00	6.2V	0.46A	S-8	C-8	1000
185.1018-00	6.2V	0.70A	S-8	C-8	1000
185.1003-00	6.2V	0.92A	S-8	C-8	1000
185.1023-00	6.2V	1.40A	S-8	C-8	1000
185.1037-00	12V	0.25A	S-8	C-8	1000
185.1016-00	12V	0.55A	S-8	C-8	1000
185.1028-00	12V	0.77A	S-8	C-8	1000
185.1055-00	12V	1.0A	S-11	CC-8	1000
185.1015-00	12V	1.15A	S-8	C-8	1000
185.1014-00	12V	1.35A	S-8	C-8	1000
185.1024-00	12V	2.03A	S-8	C-8	1000
185.1010-00	12V	3.05A	S-11	C-8	1000
185.1115-00	12V	0.50A	S-8	CC-8	1000
185.1115-01	12V	1.15A	S-8	CC-8	1000
185.1048-00	12V	1.9A	S-11	CC-8	1000
185.1057-00	12V	3.0A	S-11	CC-8	1000
185.1058-00	12V	5.0A	S-11	CC-8	1000

12-Volt Halogen and HP Lamps

Tideland Part No.	Voltage	Rating (Watt)	Envelope	Filament	Rated Life* (Hr.)
185.1100-01	12V	10W	T-2.40	C-8	3000
185.1100-02	12V	20W	T-3.50	C-8	2000
185.1100-03	12V	35W	T-3.50	C-8	2000
185.1100-04	12V	50W	T-3.50	C-8	2000
185.1100-05	12V	75W	T-3.50	C-8	2000
185.1100-06	12V	100W	T-3.50	C-8	2000
185.1104-00	12V	20W	T-2.60 HP	C-8	3000
185.1104-01	12V	35W	T-2.60 HP	C-8	3000
185.1104-02	12V	50W	T-2.60 HP	C-8	3000

120-Volt Lamps

Tideland Part No.	Voltage	Rating (Watt)	Envelope/ Base	Filament	Lampchanger Used With	Lantern Used With	Rated Life* (Hr.)
185.1064-00	120V	250W	T-4 DC Bayonet	CC-8	LC-300	ML-300/TRB-300/RL-355	2000
185.1071-00	120V	100W	T-4 DC Bayonet	CC-2V	LC-300	TRB-300/RL-125/RL-355	1000
185.1092-00	125V	100W	T-3.5 DC Bayonet	CC-8	LC-300	ML-140/ML-155	1000
185.1107-00	120V	150W	T-4 DC Bayonet QCL	CC-2V	LC-300	ML-300/TRB-300/RL-355	1000
185.1073-00	120V	375W	T-20 Mogul Bipost	CC-HALO	TL-1000/TL-1000 SL	ML-300 HI/ML-300 HI SL	1000
185.1074-00	120V	750W	T-20 Mogul Bipost	CC-HALO	TL-1000/TL-1000 SL	ML-300 HI/ML-300 HI SL	1000
185.1072-00	120V	375W	G-52 Mogul Quad	CC-HALO	TL-1000	ML-300 HI Ex	1000
185.1075-00	120V	750W	G-52 Mogul Quad	CC-HALO	TL-1000	ML-300 HI Ex	1000
185.1090-00	130V	69W	A 21	C-9	SL-155/140	ML-140/ML-155	8000
185.1106-00	240V	65W	A 21	C-9	SL-155/140	ML-155/ML-140	6000
185.1108-00	120V	400W	G-52 Mogul Quad	CC-HALO	TL-1000	ML-300	1000
185.1097-00	120V	150W	T-4 DC Bayonet	CC-8	LC-300	ML-300/TRB-300/RL-355	2000

Twin-Filament Lamps

Tideland Part No.	Voltage	Rating (Watt)	Rated Life* (Hr.)
185.1089-00	5V	2W/2W	1500
185.1089-01	5V	5W/5W	1500
185.1089-02	10.3V	2W/2W	1500
185.1089-03	10.3V	5W/5W	1500
185.1089-04	10.3V	10W/10W	1500
185.1089-05	10.3V	20W/20W	1500
185.1089-06	10.3V	40W/40W	1500
185.1094-00	10.3V	40W/40W (Ex)	1500
185.1094-01	10.3V	7.3W/7.3W (Ex)	1500

Metal Halide Lamps (G-12 Base)

Tideland Part No.	Rating	Lantern Used With	Rated Life* (Hr.)
185.1111-00	70W / 0.9A	TRB-400	6000-12000

Lamps for Zone 1 Applications

Tideland Part No.	Current Rating	Lantern Used With	Rated Life* (Hr.)
185.1116-19	12V / 1.9A	LC-6 Ex	1000
185.1116-77	12V / 0.77A	LC-6 Ex	1000

- Q Quartz Halogen
- HP High Pressure Halogen
- HG Hard Glass
- SC Single Contact
- DC Double Contact

*Life at rated voltage input



Tideland Signal Corporation maintains ISO 9001:2000 accreditation. It is company policy to provide products and services that meet the highest standards of quality in the industry.

Membership Organisations



PRINTED IN U.S.A.

© Tideland Signal Corporation 2006 – 5MC2R5