

TRANBERG® WINDSOCK

TEF 9968 Windsock with Internal Illumination

Zone 1, Zone 2 & Safe Area



The Tranberg TEF 9968 LED illuminated windsock provides pilots with an indication of the wind direction as required by IMO, CAA CAP 437 and ICAO Annex 14. These regulations require the presence of at least one illuminated windsock.

Application

Wind indication on:

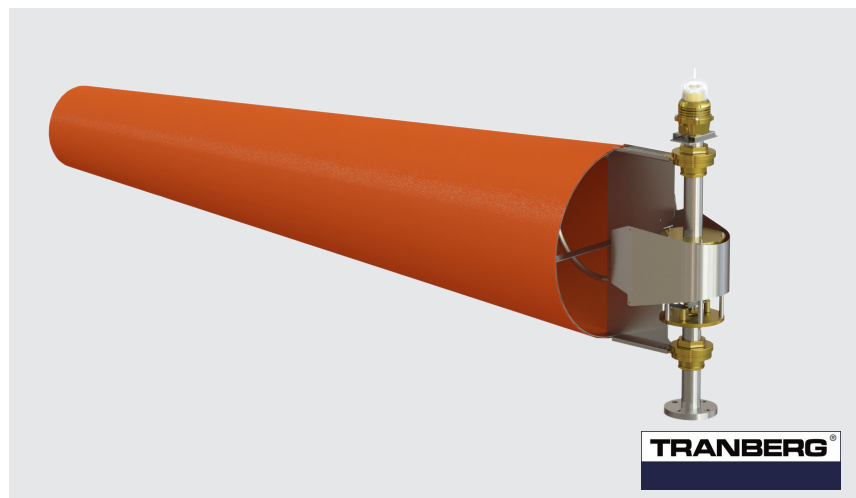
- Helicopter landing areas
- Airports
- Bridges
- Highways

Features and benefits

- NORSOK C-004 Compliant
- Rugged and solid construction
- Easy to install and maintain. Maintenance free lights.
- The windsock is internally lit with red light, causing minimal glare and minimal reduction in pilot's ability to see in the dark.
- Delivered with 10 meter flying lead armored cable $\varnothing 13 \pm 1,5\text{mm}$ (other lengths on request)
- Red + IR (NVG compatible) obstruction lights available
- Resistant to vibrations
- Bearing for the rotating wind vane is encapsulated in solid brass housing
- EN/DIN mounting flange for 60,3mm pipe
- Delivered with one spare windsock kit

The TEF 9968 LED illuminated windsock is designed out of corrosion resistant materials. All exposed materials are stainless steel AISI 316L and brass. The windsock is internally lit with red LED light, causing minimal glare and minimal reduction in a pilot's ability to see in the dark.

Optionally delivered with a RED IR (NVG compatible) obstruction light on top. The rugged construction with integrated LED lights and no use of electrical slip ring units - significantly reduce maintenance cost resulting in extremely low lifetime cost.



Technical Data

Material:	Brass and Stainless steel (EN 1.4404), Polycarbonate dome on lamps.
Input voltage:	24VDC +/-30% 100-254V AC
Power consumption:	2x 4-8 Watt (depending on installed light)
Ingress protection:	IP66/67 (According to IEC 60529)
Weight w/ mounting bracket and package:	Approx. 50 kg
Tamb opr:	-20° to +55°C
Tamb Ex:	-52° to +55°C
Area of use:	For zone 1, 2 and safe area (Ex e mb op is IIC T5 Gb (ATEX and IECEx))

Approvals and certificates

Presafe 14ATEX4571

IECEX PRE 14.0009

TRANBERG STAHL

THE STRONGEST LINK.

TRANBERG® WINDSOCK

TEF 9968 Windsock with Internal Illumination

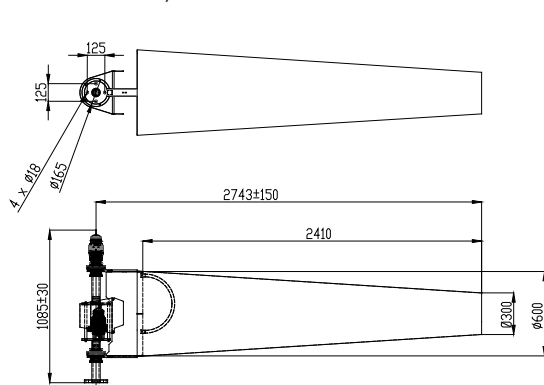
Zone 1, Zone 2 & Safe Area

Description	Part No.
Windsock arrangement with obstruction light 10 Cd, 24V DC, Windsock included (Ø=0,3m, L1,3m)	9968 3111
Windsock arrangement with obstruction light 10 Cd, 24V DC, Windsock included (Ø=0,6m, L2,4m)	9968 6111
Windsock arrangement with obstruction light 10 Cd, 24V DC, Windsock included (Ø=1,0m, L3,6m)	9968 1111
Windsock arrangement with obstruction light 10 Cd, 230V AC, Windsock included (Ø=0,3m, L1,3m)	9968 3112
Windsock arrangement with obstruction light 10 Cd, 230V AC, Windsock included (Ø=0,6m, L2,4m)	9968 6112
Windsock arrangement with obstruction light 10 Cd, 230V AC, Windsock included (Ø=1,0m, L3,6m)	9968 1112
Windsock arrangement with obstruction light 32 Cd + IR 24V DC, Windsock included (Ø=0,3m, L1,3m)	9968 3141
Windsock arrangement with obstruction light 32 Cd + IR 24V DC, Windsock included (Ø=0,6m, L2,4m)	9968 6141
Windsock arrangement with obstruction light 32 Cd + IR 24V DC, Windsock included (Ø=1,0m, L3,6m)	9968 1141
Windsock arrangement with obstruction light 32 Cd, 230V AC, Windsock included (Ø=0,3m, L1,3m)	9968 3122
Windsock arrangement with obstruction light 32 Cd, 230V AC, Windsock included (Ø=0,6m, L2,4m)	9968 6122
Windsock arrangement with obstruction light 32 Cd, 230V AC, Windsock included (Ø=1,0m, L3,6m)	9968 1122

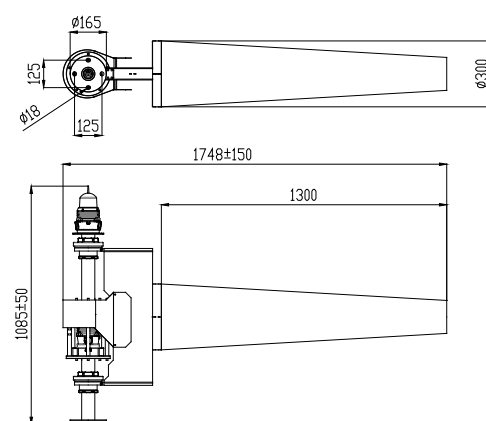
Spare Parts	Part No.
Windsock orange, Ø=0,3m, L=1,3m	7852 006
Windsock orange, Ø=0,6m, L=2,4m	7852 004
Windsock red/white, Ø=0,6m, L=2,4m	7852 005
Windsock orange, Ø=1,0m, L=3,6m	7852 002
Full bearing for windsock arrangement	7850 000
Flange for mounting to 60,3mm pipe. Max. Ø=61mm, complete with bolts and nuts	7852 007
Flange for welding on to 60,3mm pipe, EN 1,4404, complete with bolts and nuts	7852 008
Power supply for 9968 200, 100-254V AC input, 24V DC output. Mounted in Junction box TEF 1058 3501. For safe area only. Contact Tranberg for availability for a zone 2 version.	7852 009

Dimensions

Windsock Ø600, L=2400mm



Windsock Ø300, L=1300mm



TRANBERG