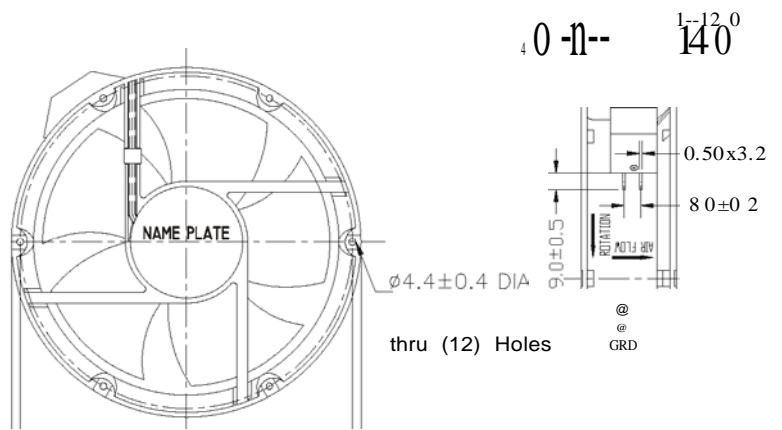




ROTATION

AIR FLOW



Size: 0222mmx60mm  
 Airflow: 730824m<sup>3</sup>/hr  
 430485CFM

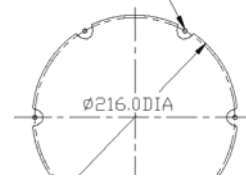
e- -212 0±0.3  
 e---- -71222 0±2.0 -"

60 0±0.5

Weight: 1540g  
 Noise: 5962dBA  
 Impeller: PA6 UL94V-O Reinforced Plastic  
 Frame: Aluminum Alloy  
 Terminals: 0.5mm  
 Lead Wire: AWG#22 UL 1015 (Optional)

Ø44 DIA 6 Holes

Ø44 DIA 6 Holes



Motor: Capacitor-Run Induction Motor  
 Safety: UL.CUL.TUV.CE

Operation Temperature: -10°C+65 °C

Inlet

Outlet

Unit:mm

Model	Bearing System	Voltage VAC	Freq. Hz	Current A	Power W	Speed RPM	Noise dBA	Air Flow		Static Pressure (mmH <sub>2</sub> O)	Weight Gram
								M <sup>3</sup> /hr	CFM		
RAH2260B1-C	Ball	220~240	50/60	0.25/0.26	50/60	2800/3200	59/62	730/824	430/485	24/18	1540

