

SC LS-100

Self Contained LED Light with 10 NM Range

SC LS-100 is a self powered range light for used on fixed structures. The light is complete including solar panels battery and charge controller. The light is made for long uninterrupted operation.

- Range 10 nm (Tc=0,74)
15 nm (Tc = 0,85)
- Standard IALA colours Red, Green, White, Yellow
- Light module of rugged aluminium housing and body of UV resistant polyethylene
- Light horizontally and vertically adjustable in the field
- Integrated flasher with day-light switch and solar charger
- Standard VRLA battery or optional NiCd for low temperature areas
- Ventilated battery compartment
- Solar modules with tempered glass in front
- Adjustable intensity and range
- Programming with a wireless Sabik Easy Programmer, PDA Programmer or PC/USB interface
- Optionally integrated GPS synchronization
- Optionally integrated GSM Remote monitoring
- Optionally Auxiliary connector for external charger or external Solar Module



Aluminium housing
Rugged housing with sunshield.



Installation
The bottom plate of the SC-LS100 supports installation on structure using 3 x M10 bolts on a 330 mm radius.



Adjustable
Field adjustable in both horizontal and vertical direction.



Solar Modules
Solar modules with tempered glass front well integrated with the PE-housing.



Auxiliary connector
(Optionally) enables external charging or additional solar modules.



VRLA Battery
Maintenance free Lead acid battery with a designed lifetime of 7 years.



NiCd Battery
High quality NiCd battery for use in low temperature areas down to -40 °C with Arctic electrolyte.



Sabik Easy Programmer
User friendly and compact wireless two way programmer.

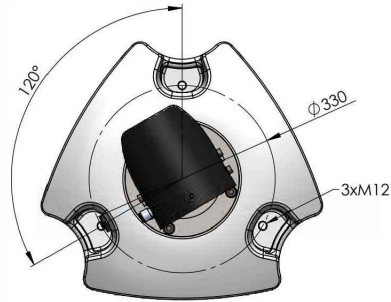
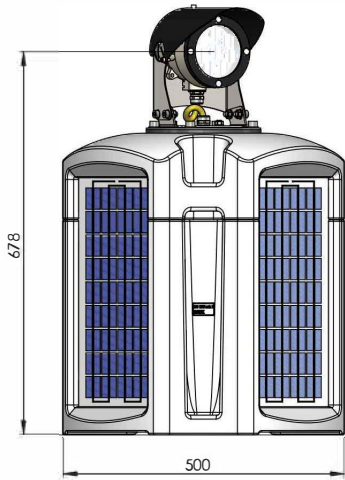


PDA Programmer
Wireless two-way communication using a Windows based PDA with infra red port. Flash code, range and photocell switch level etc. can be set. With the Programmer also the event log can be retrieved.



Programming with PC
Using Sabik USB interface.

Technical Specification SC LS-100



Optical performance

Maximum fixed intensity				
At full power 4 W			2.000 cd	2000 cd

Main Technical Specification

Lens visual/Mechanical diameter	100 mm
Lens material	UV stabilized Polycarbonate
Light source	Light Emitting Diodes (LEDs)
Vertical divergence	4° @ 50 % (±1°) and 8° @ 10 % (±2°)
Solar modules	3 x 11 W
Battery	VRLA GEL-Type, 60Ah/12V
Weight	37 Kg
Overall height	615 mm
Overall width	510 mm dia.
Installation	3 x M10 on 330 mm dia.

Order Overview SC LS-100

Option matrix

NiCd 45AH	45 Ah NiCd battery for low temperature areas
Aux. Connector	Auxiliary connector for external charger
SmartSync GPS	GPS based synchronization installed in external box

We recommend using LightGuard Basic for remote monitoring and control

SC-LS100 with VRLA Battery		SC-LS100 with NiCd Battery	
	SCLS100VR		SCLS100CR
	SCLS100VG		SCLS100CG
	SCLS100VY		SCLS100CY
	SCLS100VW		SCLS100CW

Enclosure Color (if not indicated enclosure will follow the light color)	Additional Options
RD = Red	AUX = Auxiliary Connector of external charger etc.
GN = Green	GPS = Integrated GPS for synchronization and position monitoring.
YL = Yellow	GSM = Integrated LightGuard GSM
GY = Gray	
BK = Black	

Example: SCLS100CW-AUX

- **SCLS100CW** is the code for SC-LS100 with NiCd battery and White light color
- **GY** is the code for a gray enclosure
- **AUX** for Auxiliary Connector of external charger